



US00D592888S

(12) **United States Design Patent**  
**Johnson**

(10) **Patent No.:** **US D592,888 S**

(45) **Date of Patent:** **\*\* May 26, 2009**

(54) **SUPPORT STAND**

(75) Inventor: **Ian Johnson**, Lane Cove (AU)

(73) Assignee: **Aristocrat Technologies Australia Pty Ltd.** (AU)

(\*\*) Term: **14 Years**

(21) Appl. No.: **29/260,279**

(22) Filed: **May 23, 2006**

(30) **Foreign Application Priority Data**

Nov. 23, 2005 (AU) ..... 15164/2005

(51) **LOC (9) Cl.** ..... **06-04**

(52) **U.S. Cl.** ..... **D6/449**

(58) **Field of Classification Search** ..... D6/332,  
D6/411, 449, 415, 462, 409, 464-466, 509,  
D6/567; 108/29, 31, 59, 91-93, 181; 211/124,  
211/85.2, 85.3, 85.6, 182, 204, 123, 207,  
211/37, 186-189; 248/158, 161, 127, 163.1;  
40/607.04, 607.1

See application file for complete search history.

(56) **References Cited**

**U.S. PATENT DOCUMENTS**

1,372,580 A \* 3/1921 Wells ..... 211/206  
D162,908 S \* 4/1951 Volk ..... D6/410  
D301,418 S \* 6/1989 Wernick ..... D6/462  
D304,528 S \* 11/1989 Handler et al. .... D6/411  
D336,099 S \* 6/1993 Schoenig ..... D19/7  
D346,081 S \* 4/1994 Turner ..... D6/465

D424,320 S \* 5/2000 Klein et al. .... D6/411  
D470,336 S \* 2/2003 Malizia ..... D6/462  
D470,685 S \* 2/2003 Chang ..... D6/411  
D487,124 S \* 2/2004 Toniolo ..... D21/691  
D537,266 S \* 2/2007 Ward ..... D6/411  
D553,874 S \* 10/2007 Orlando ..... D6/411

\* cited by examiner

*Primary Examiner*—Caron Veynar

*Assistant Examiner*—Abraham Bahta

(74) *Attorney, Agent, or Firm*—McAndrews, Held & Malloy, Ltd.

(57) **CLAIM**

The ornamental design for a support stand, as shown and described.

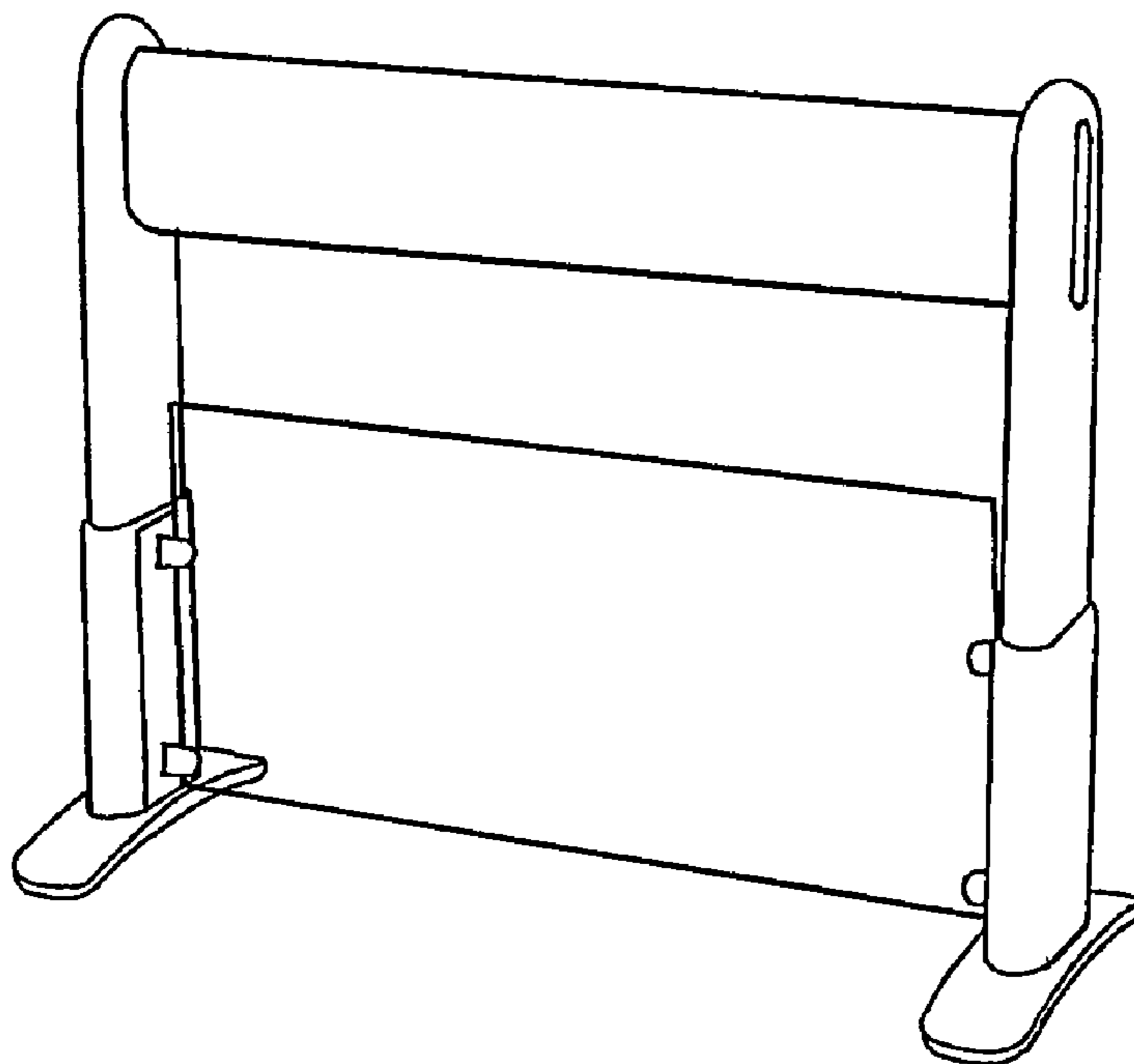
**DESCRIPTION**

FIG. 1 is a front perspective view of a support stand in which the rear perspective is identical to FIG. 1 of a first embodiment showing my new design;

FIG. 2 is a front perspective view in which the rear perspective view is identical to FIG. 2 of a second embodiment; and, FIG. 3 is a side view of the first and second embodiments as shown in FIGS. 1 and 2.

The design has a bottom that is unornamented and therefore is omitted from the drawing. The broken lines shown in FIG. 2 represent unclaimed environmental structure and are shown for illustrative purposes only and form no part of the claimed design.

**1 Claim, 3 Drawing Sheets**



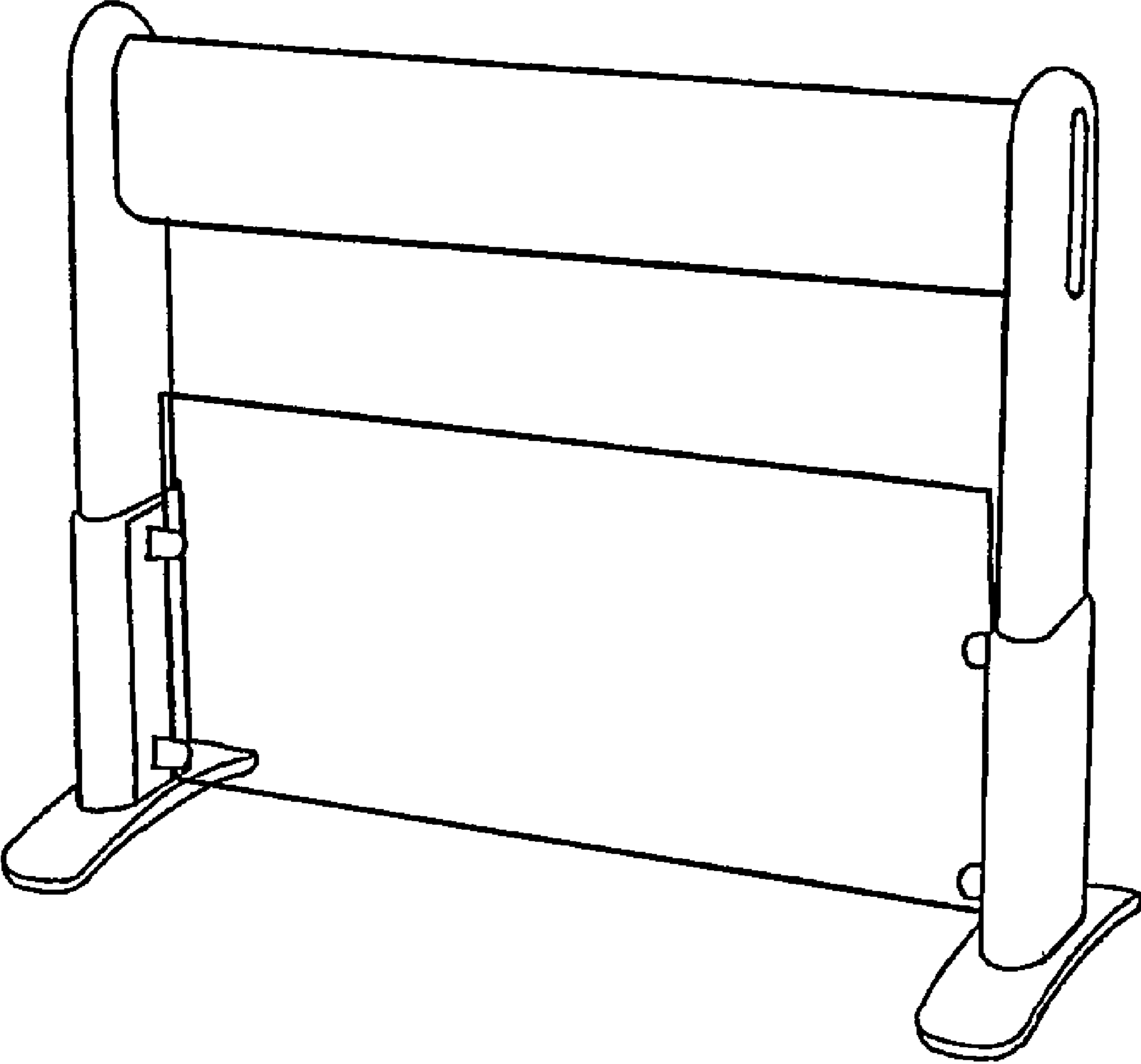


FIG.1

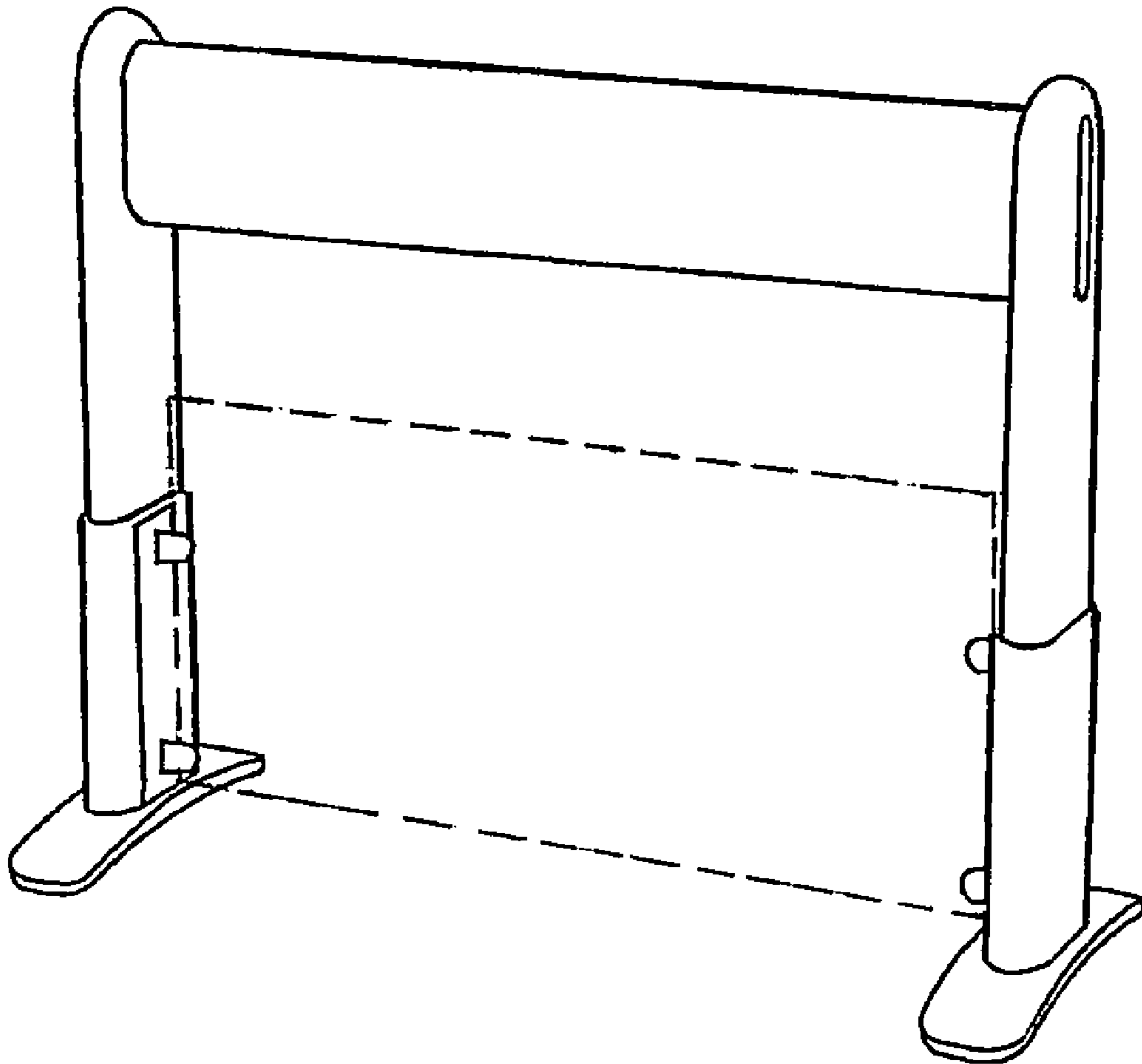


FIG. 2

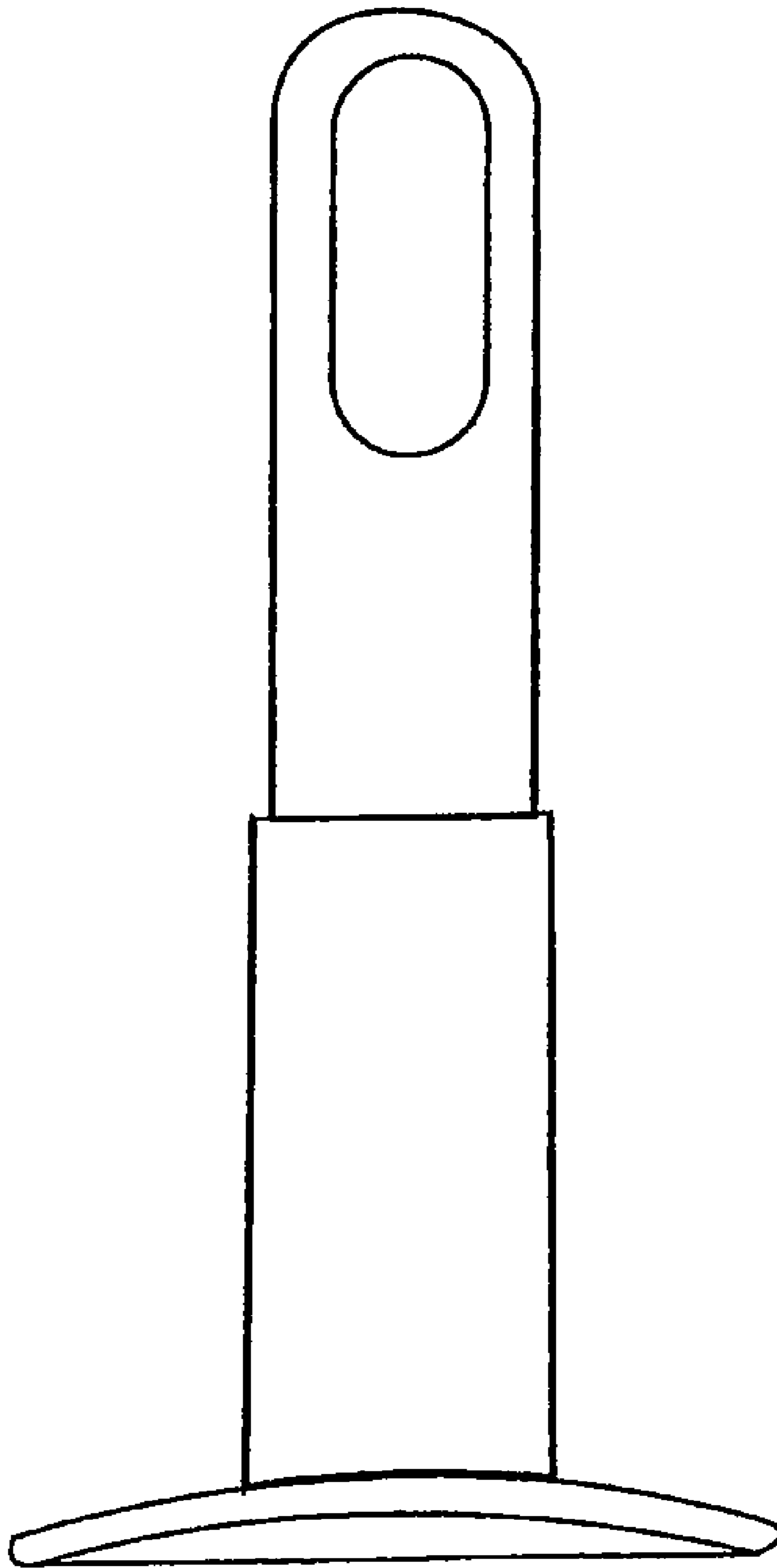


FIG.3