



US00D592876S

(12) **United States Design Patent**
Smith et al.

(10) **Patent No.:** **US D592,876 S**
(45) **Date of Patent:** **** May 26, 2009**

(54) **SEATING UNIT**

(75) Inventors: **Bruce M. Smith**, Grand Rapids, MI (US); **James N. Ludwig**, Grand Rapids, MI (US); **Terence Sean Yoo**, Grand Rapids, MI (US)

(73) Assignee: **Steelcase Development Corporation**, Caledonia, MI (US)

(**) Term: **14 Years**

(21) Appl. No.: **29/304,895**

(22) Filed: **Mar. 10, 2008**

Related U.S. Application Data

(62) Division of application No. 29/258,877, filed on Apr. 28, 2006, now Pat. No. Des. 564,264.

(51) **LOC (9) Cl.** **06-01**

(52) **U.S. Cl.** **D6/380; D6/374; D6/379**

(58) **Field of Classification Search** D6/334-336, D6/360, 366, 371-373, 374, 375, 376, 379, D6/380, 500-502; 297/232, 239, 411.2, 297/411.25, 411.29, 445.1, 446.1
See application file for complete search history.

(56) **References Cited**

U.S. PATENT DOCUMENTS

426,048 A 4/1890 Neill

(Continued)

FOREIGN PATENT DOCUMENTS

GB 2072004 A 9/1981

(Continued)

Primary Examiner—Mimosa De

(74) *Attorney, Agent, or Firm*—Price, Heneveld, Cooper, DeWitt & Litton LLP

(57) **CLAIM**

We claim the ornamental design for a seating unit, as shown and described.

DESCRIPTION

FIG. 1 is a perspective view of a first embodiment of a seating unit embodying the present invention.

FIG. 2 is a front view of the seating unit shown in FIG. 1.

FIG. 3 is a left side view of the seating unit shown in FIG. 1, the right side being a mirror image thereof.

FIGS. 4-6 are rear, top, and bottom views, respectively, of the seating unit shown in FIG. 1.

FIG. 7 is a perspective view of a second embodiment of a seating unit embodying the present invention.

FIG. 8 is a front view of the seating unit shown in FIG. 7.

FIG. 9 is a left side view of the seating unit shown in FIG. 7, the right side being a mirror image thereof.

FIGS. 10-12 are rear, top, and bottom views, respectively, of the seating unit shown in FIG. 7.

FIG. 13 is a perspective view of a third embodiment of a seating unit embodying the present invention.

FIG. 14 is a front view of the seating unit shown in FIG. 13.

FIG. 15 is a left side view of the seating unit shown in FIG. 13, the right side being a mirror image thereof.

FIGS. 16-18 are rear, top, and bottom views, respectively, of the seating unit shown in FIG. 13.

FIG. 19 is a perspective view of a fourth embodiment of a seating unit embodying the present invention.

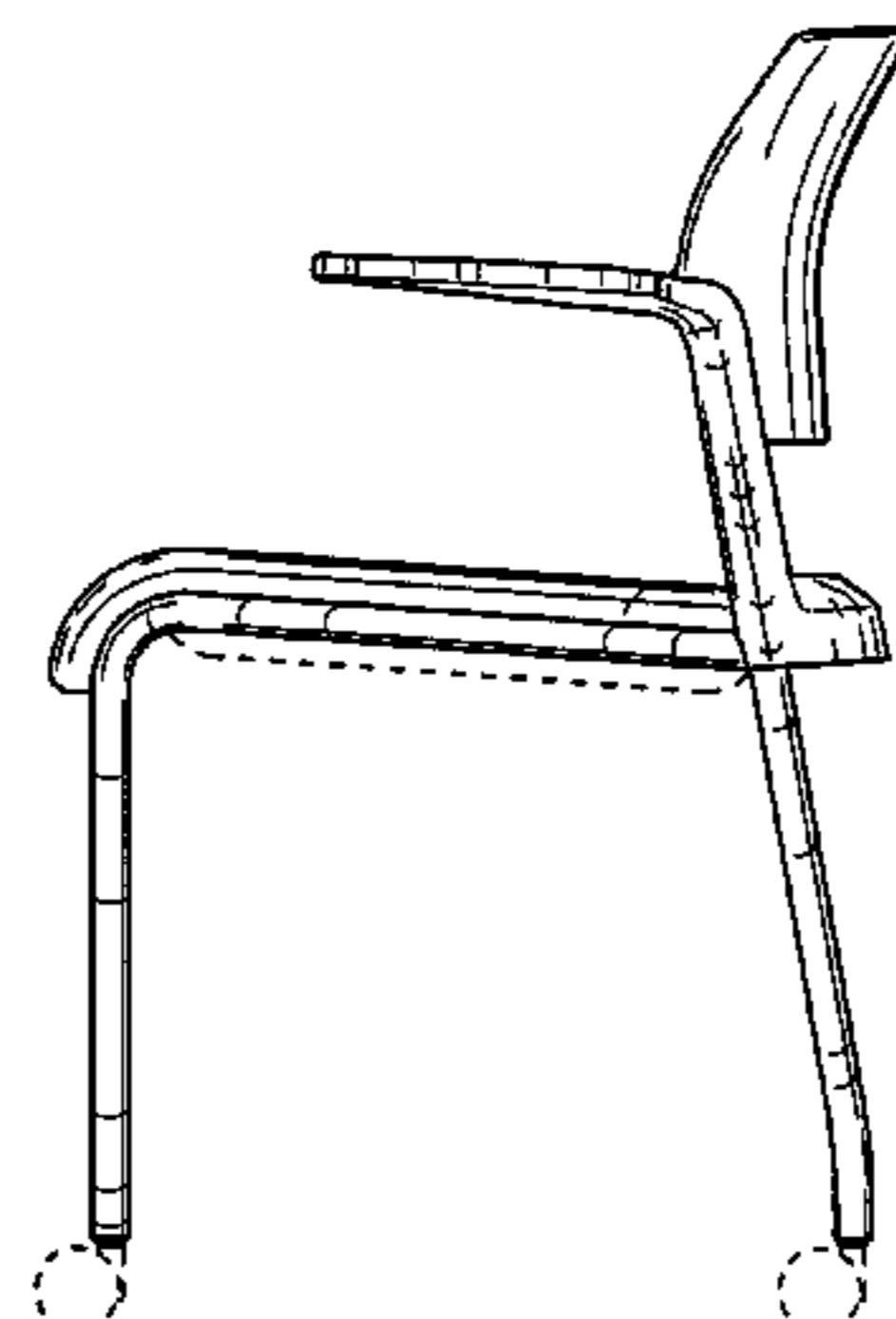
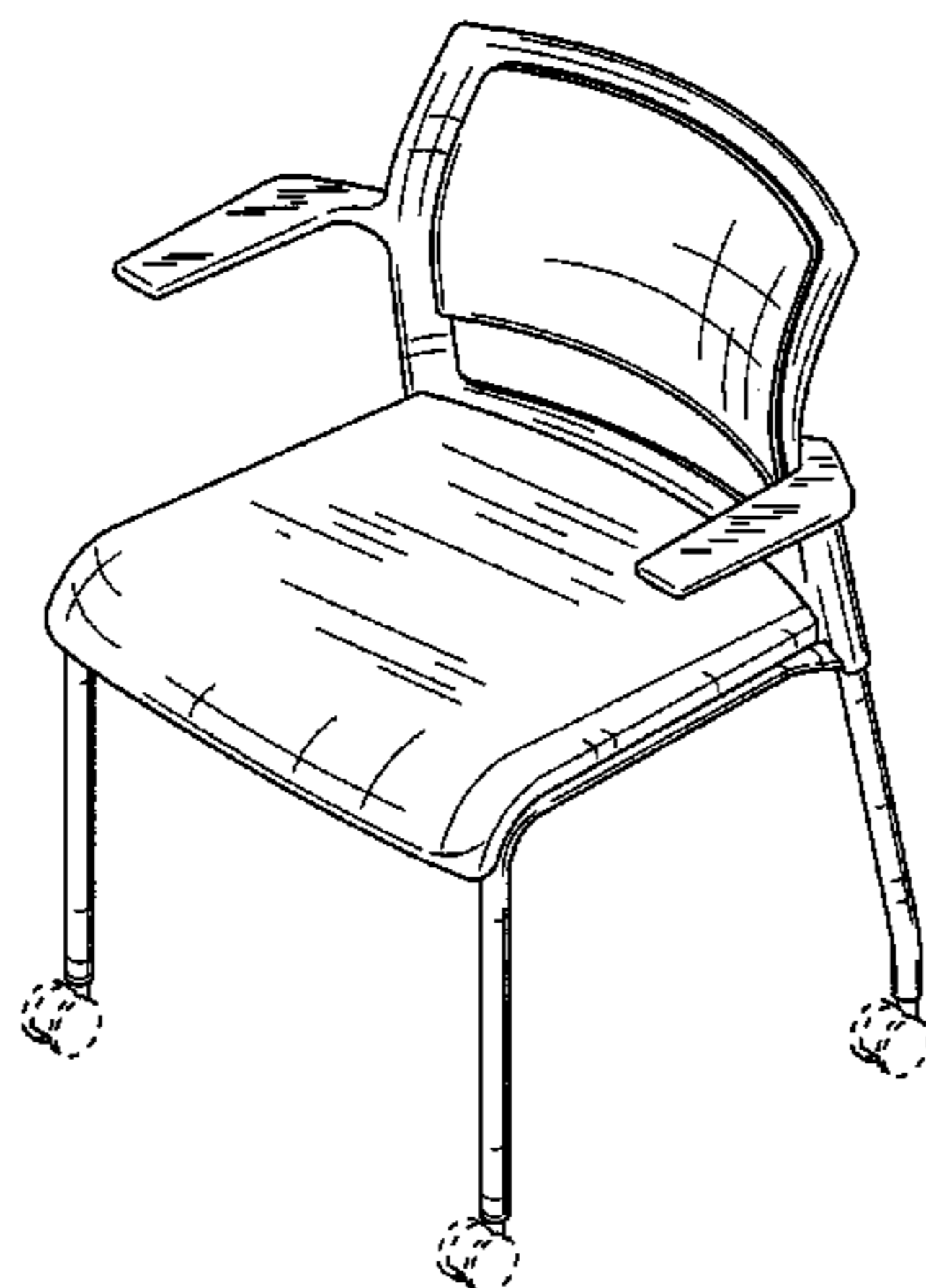
FIG. 20 is a front view of the seating unit shown in FIG. 19.

FIG. 21 is a left side view of the seating unit shown in FIG. 19, the right side being a mirror image thereof; and,

FIGS. 22-24 are rear, top, and bottom views, respectively, of the seating unit shown in FIG. 19.

The dashed lines in FIGS. 1-24 are to show the environment, but do not form a part of the claimed invention.

1 Claim, 12 Drawing Sheets



US D592,876 S

U.S. PATENT DOCUMENTS				
1,205,541 A	11/1916	Hoehn	4,919,485 A	4/1990 Guichion
1,399,183 A	12/1921	Bicker	4,932,720 A	6/1990 Sherman
1,531,916 A	3/1925	Flintjer	4,938,530 A	7/1990 Snyder et al.
1,674,220 A	6/1928	Percival	D317,381 S	6/1991 Fulcheri
1,928,857 A	10/1933	Kelly	5,039,163 A	8/1991 Tolleson
2,149,665 A	3/1939	Box	5,048,894 A	9/1991 Miyajima et al.
2,253,825 A	8/1941	Tully	5,050,931 A	9/1991 Knoblock
2,276,308 A	3/1942	Hugh	5,064,247 A	11/1991 Clark et al.
2,281,902 A	5/1942	Witz	5,104,192 A	4/1992 Gianfranchi
2,306,878 A	12/1942	Greitzer	5,123,702 A	6/1992 Caruso
2,318,776 A	5/1943	Haug	5,139,714 A	8/1992 Hettinga
2,440,470 A	4/1948	Greitzer	5,269,589 A	12/1993 Brothers et al.
2,460,027 A	1/1949	Nash	D352,183 S	11/1994 Sheridan
2,467,664 A	4/1949	Glenn	5,370,474 A	12/1994 Olson
2,525,126 A	10/1950	Greitzer	5,383,712 A	1/1995 Perry
2,575,221 A	11/1951	Horner et al.	5,411,316 A	5/1995 Lovegrove et al.
2,587,822 A	3/1952	Corning	5,419,617 A	5/1995 Schultz
2,630,857 A	3/1953	Cohen	5,429,417 A	7/1995 Kim
2,668,584 A	2/1954	Greitzer	D367,185 S	2/1996 Olson
2,670,226 A	2/1954	Becker	D367,982 S	3/1996 Stirling et al.
2,755,114 A	7/1956	Becker	D373,273 S	9/1996 Zapf
2,831,715 A	4/1958	Becker	D378,553 S	3/1997 Newhouse
2,847,062 A	8/1958	Henrikson et al.	5,609,395 A	3/1997 Burch
2,939,733 A	6/1960	Bogar, Jr.	5,630,643 A	5/1997 Scholten et al.
2,955,646 A	10/1960	Briggs	5,697,673 A	12/1997 Favaretto
3,003,817 A	10/1961	King	5,810,438 A	9/1998 Newhouse
3,028,184 A	4/1962	Knowlton	D405,285 S	2/1999 Balderi et al.
3,036,864 A	5/1962	Arai	5,895,096 A	4/1999 Massara
3,058,777 A	10/1962	Froedje	5,961,184 A	10/1999 Balderi et al.
3,080,194 A	3/1963	Rowland	5,997,094 A	12/1999 Cvek
3,111,344 A	11/1963	Hoven et al.	D423,805 S	5/2000 Olson
D197,644 S	3/1964	Sundberg et al.	D426,970 S *	6/2000 Kolberg D6/374
3,328,075 A	6/1967	Albinson	6,109,696 A	8/2000 Newhouse
3,329,465 A	7/1967	King	6,135,562 A	10/2000 Infanti
3,336,078 A	8/1967	Haley	6,220,661 B1	4/2001 Peterson
3,365,233 A	1/1968	Uyeda et al.	6,250,718 B1	6/2001 Newhouse et al.
D219,032 S *	10/1970	Christenson, Jr. D6/374	D455,570 S	4/2002 Kita
D224,952 S	10/1972	Wilson	D455,571 S	4/2002 Van De Riet et al.
D225,195 S	11/1972	Lange	D456,164 S	4/2002 Vanderiet et al.
3,724,897 A	4/1973	Faiks et al.	D457,007 S *	5/2002 Pearce et al. D6/380
3,734,561 A	5/1973	Barecki et al.	6,382,719 B1	5/2002 Heidmann et al.
3,850,476 A	11/1974	Day	6,409,268 B1	6/2002 Cvek
3,947,068 A	3/1976	Buhk	6,425,637 B1	7/2002 Peterson
3,983,614 A	10/1976	Koepke et al.	D464,208 S	10/2002 Kwon
3,990,745 A	11/1976	Rodaway	D466,712 S	12/2002 Haney et al.
4,066,295 A	1/1978	Severson	6,499,801 B1	12/2002 Peterson et al.
4,157,203 A	6/1979	Ambasz	6,508,509 B2	1/2003 Peterson
D259,598 S	6/1981	Locher	D470,670 S	2/2003 Meyer
4,285,544 A	8/1981	Zapf	D472,723 S	4/2003 Haney et al.
4,305,617 A	12/1981	Benoit	D472,745 S	4/2003 Haney et al.
4,333,683 A	6/1982	Ambasz	6,540,302 B1	4/2003 Crocker et al.
4,395,071 A	7/1983	Laird	6,558,306 B2	5/2003 Lowry et al.
D271,066 S *	10/1983	Rowland D6/379	6,612,654 B2	9/2003 Laws et al.
4,418,958 A	12/1983	Watkin	6,637,823 B1	10/2003 Ursini et al.
4,474,717 A	10/1984	Hendry	6,644,749 B2	11/2003 VanDeRiet et al.
4,492,409 A	1/1985	Laird	6,670,555 B2	12/2003 Ota et al.
4,529,247 A	7/1985	Stumpf et al.	6,688,687 B2	2/2004 Chu
4,548,441 A	10/1985	Ogg	D487,197 S	3/2004 Edwards et al.
4,549,764 A	10/1985	Haedo	6,722,741 B2	4/2004 Stumpf et al.
D281,941 S	12/1985	Ambasz et al.	6,726,278 B1	4/2004 Albright et al.
4,557,521 A	12/1985	Lange	D490,622 S	6/2004 Olson
4,580,836 A	4/1986	Verney	6,755,467 B1	6/2004 Chu
4,603,904 A	8/1986	Tolleson et al.	6,811,215 B2	11/2004 Horiki et al.
4,660,887 A	4/1987	Fleming et al.	6,837,546 B2	1/2005 VanDeRiet et al.
4,718,153 A	1/1988	Armitage et al.	6,849,227 B2	2/2005 Funk et al.
4,733,910 A	3/1988	Brennan	6,880,215 B2	4/2005 Peterson
4,869,552 A	9/1989	Tolleson et al.	D505,801 S *	6/2005 Cesaroni et al. D6/380
4,871,209 A	10/1989	Handelman	6,935,698 B1	8/2005 Chen
4,892,356 A	1/1990	Pittman et al.	6,955,402 B2	10/2005 VanDeRiet et al.
4,903,354 A	2/1990	Yeh	6,969,121 B2	11/2005 Drajan
4,913,496 A	4/1990	Oke	D512,846 S *	12/2005 Goodworth D6/374
			D543,374 S *	5/2007 Huerlimann D6/380
			D546,574 S *	7/2007 Kaloustian D6/374

US D592,876 S

Page 3

D547,963 S *	8/2007	Olano	D6/379	JP	62-193456	8/1987
D564,264 S *	3/2008	Smith et al.	D6/500	JP	41-16757	4/1992
2003/0168901 A1	9/2003	Wilkerson et al.		JP	408070951 A	3/1996
2003/0193229 A1	10/2003	VanDeRiet et al.		JP	408228882 A	9/1996
2004/0251729 A1	12/2004	Olson		JP	408228883 A	9/1996
2005/0206212 A1	9/2005	Peterson		JP	410179325 A	7/1998
2005/0269850 A1	12/2005	York et al.				

FOREIGN PATENT DOCUMENTS

JP 139308 12/1978

* cited by examiner

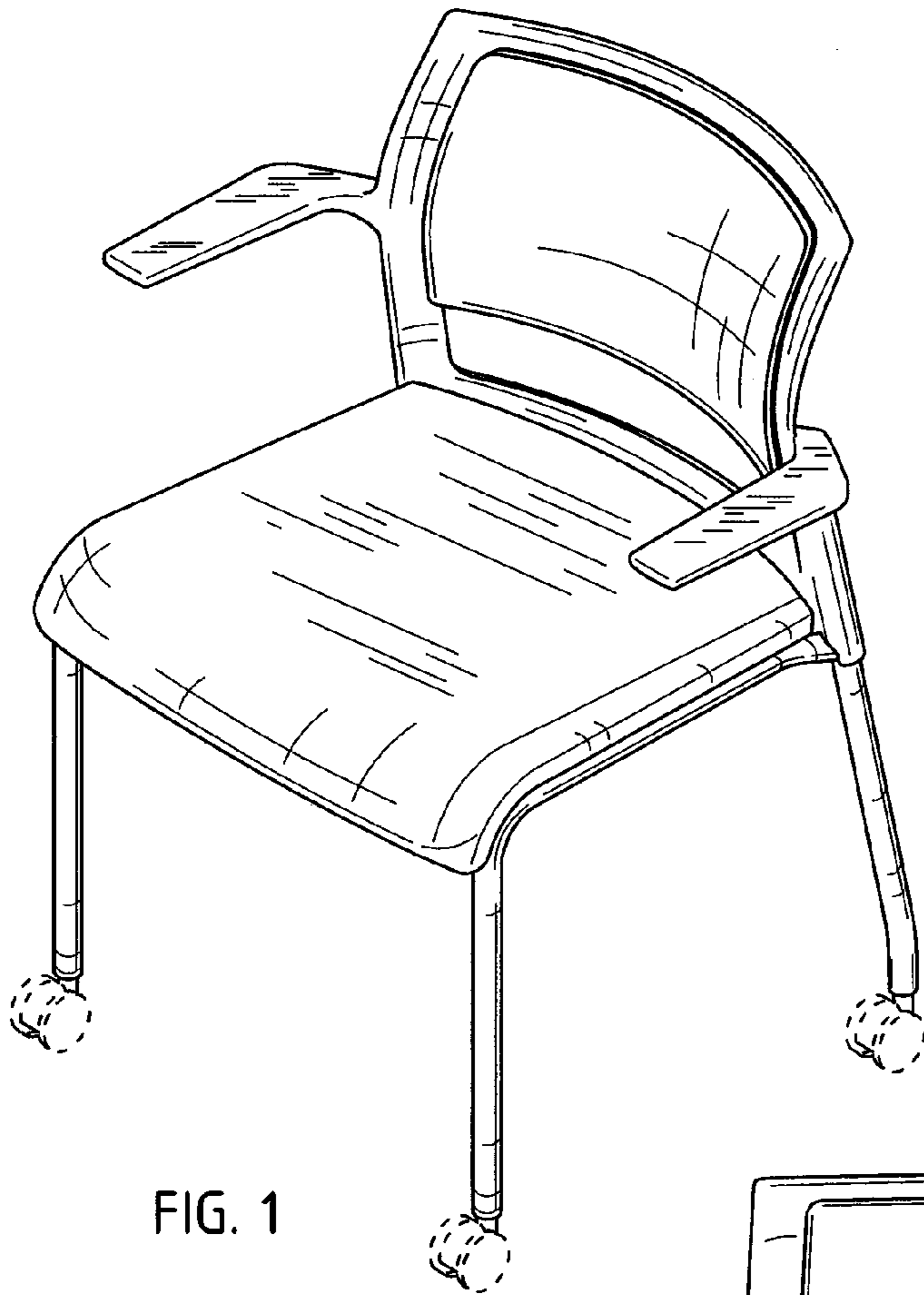


FIG. 1

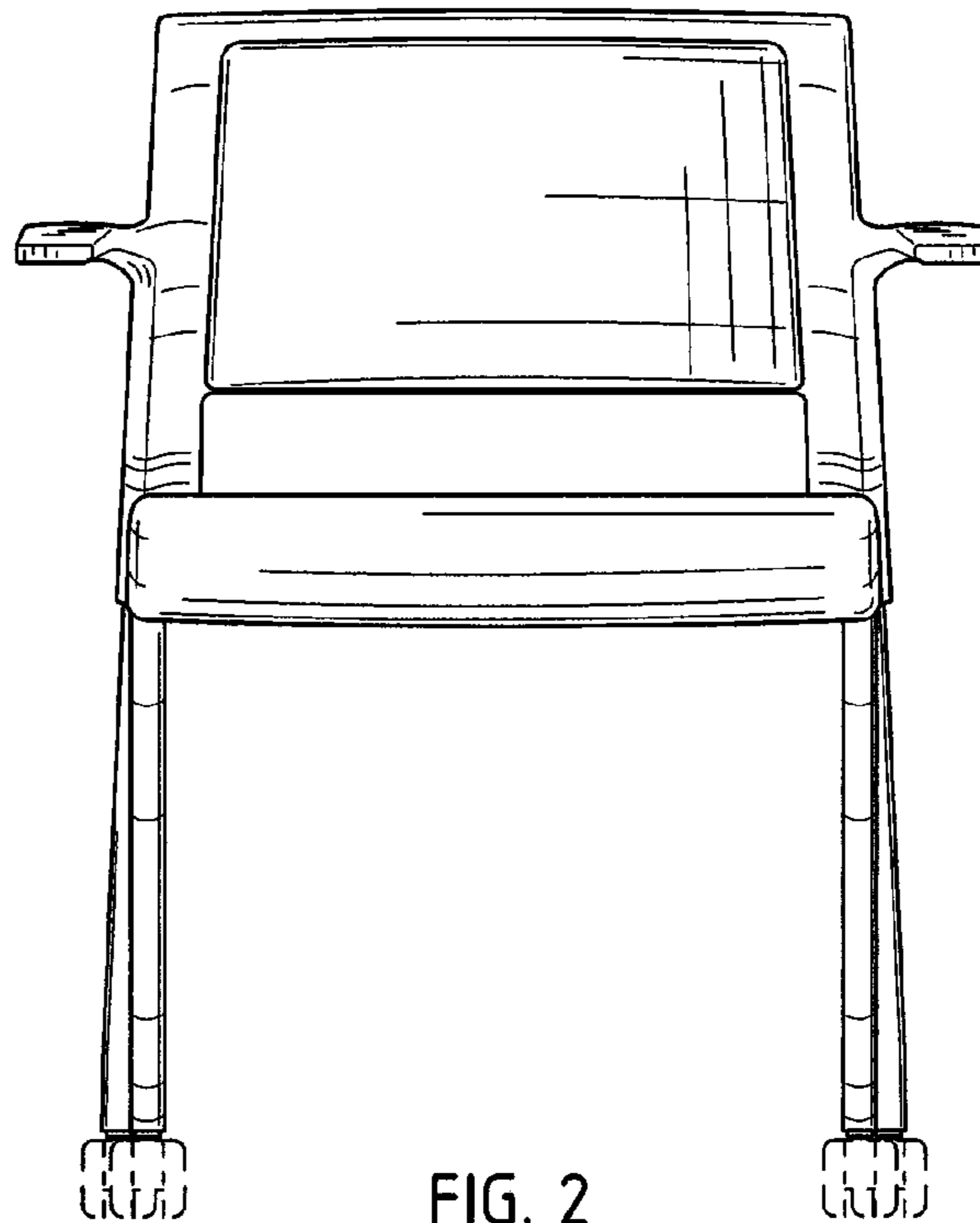


FIG. 2

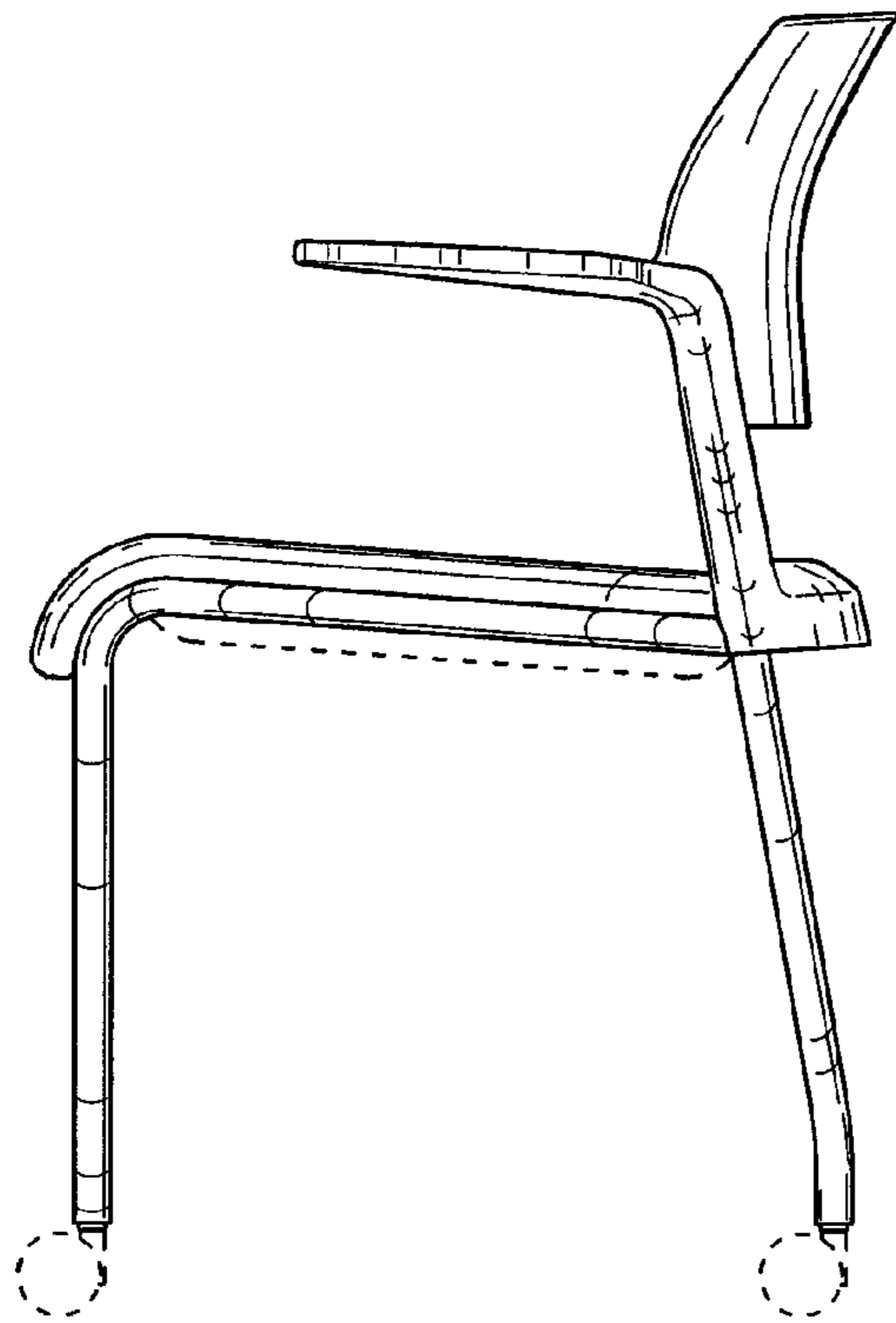


FIG. 3

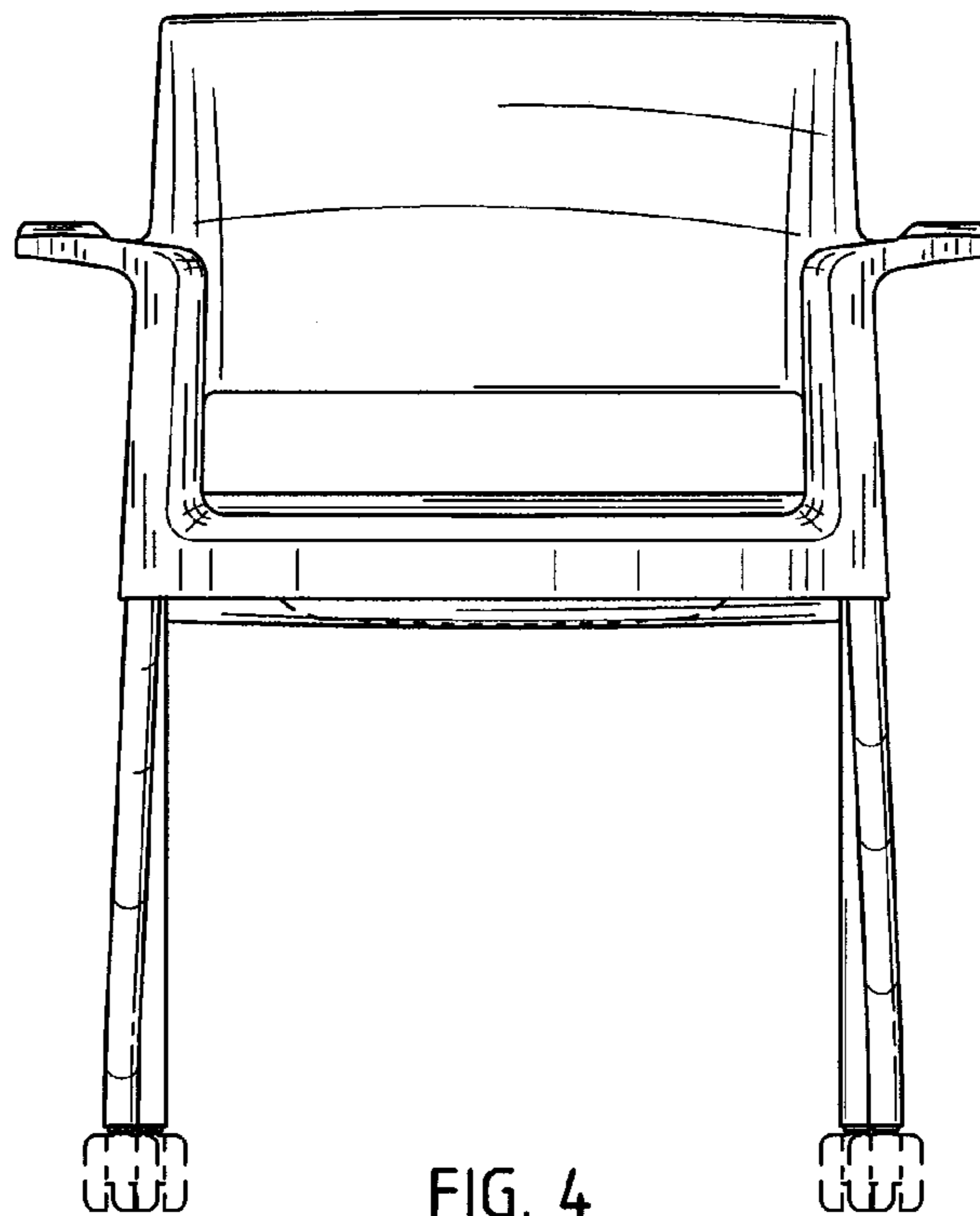


FIG. 4

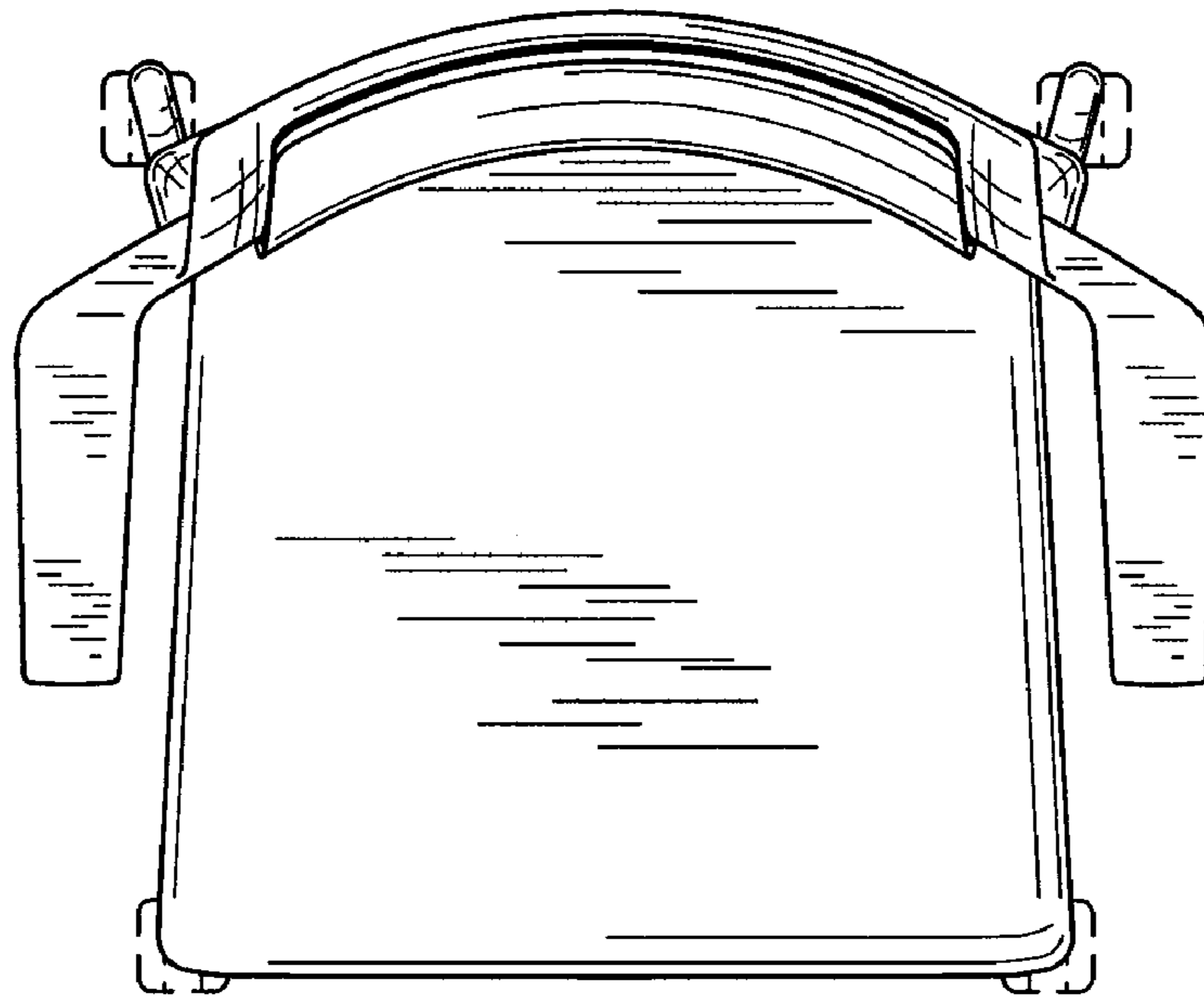


FIG. 5

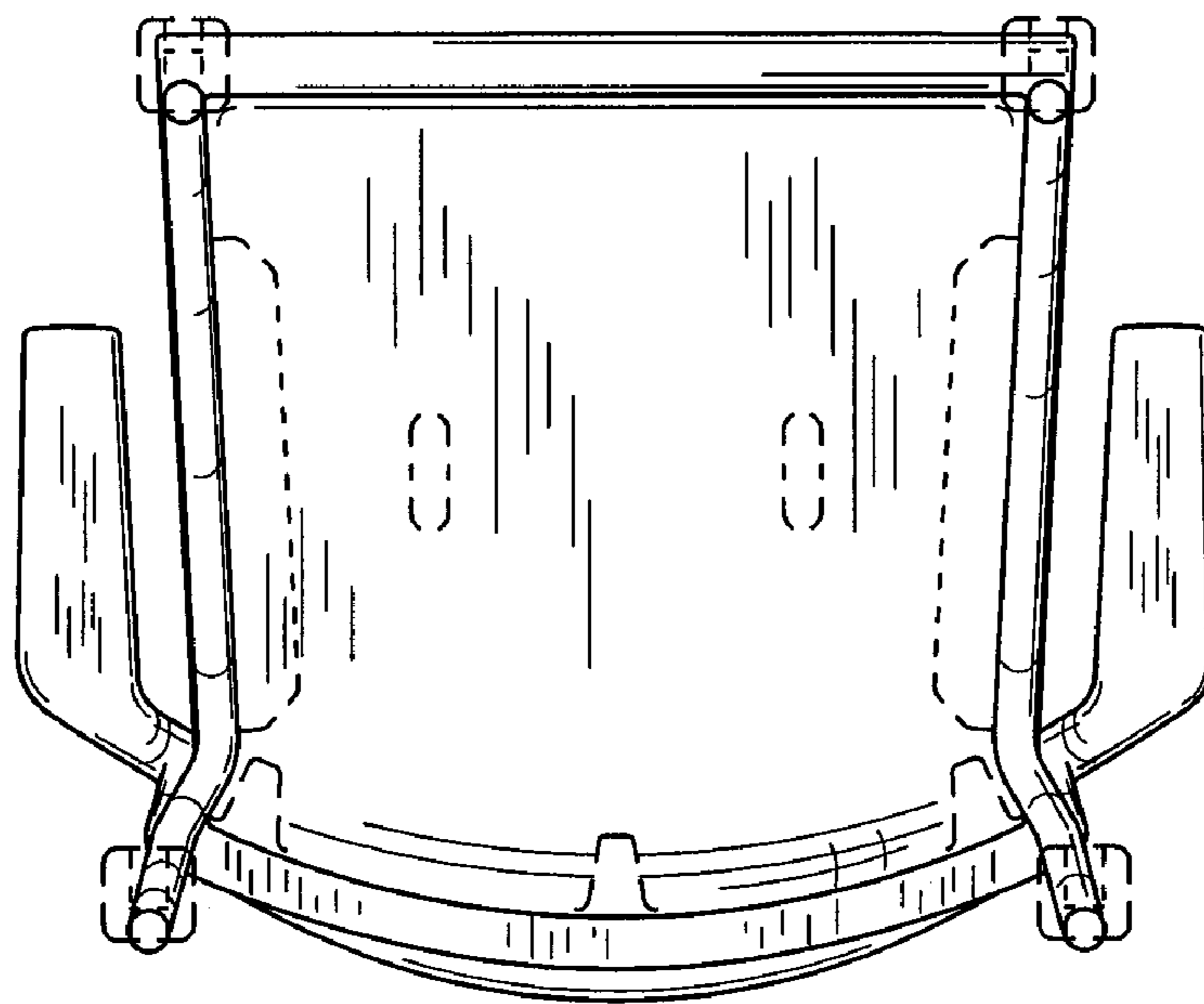


FIG. 6

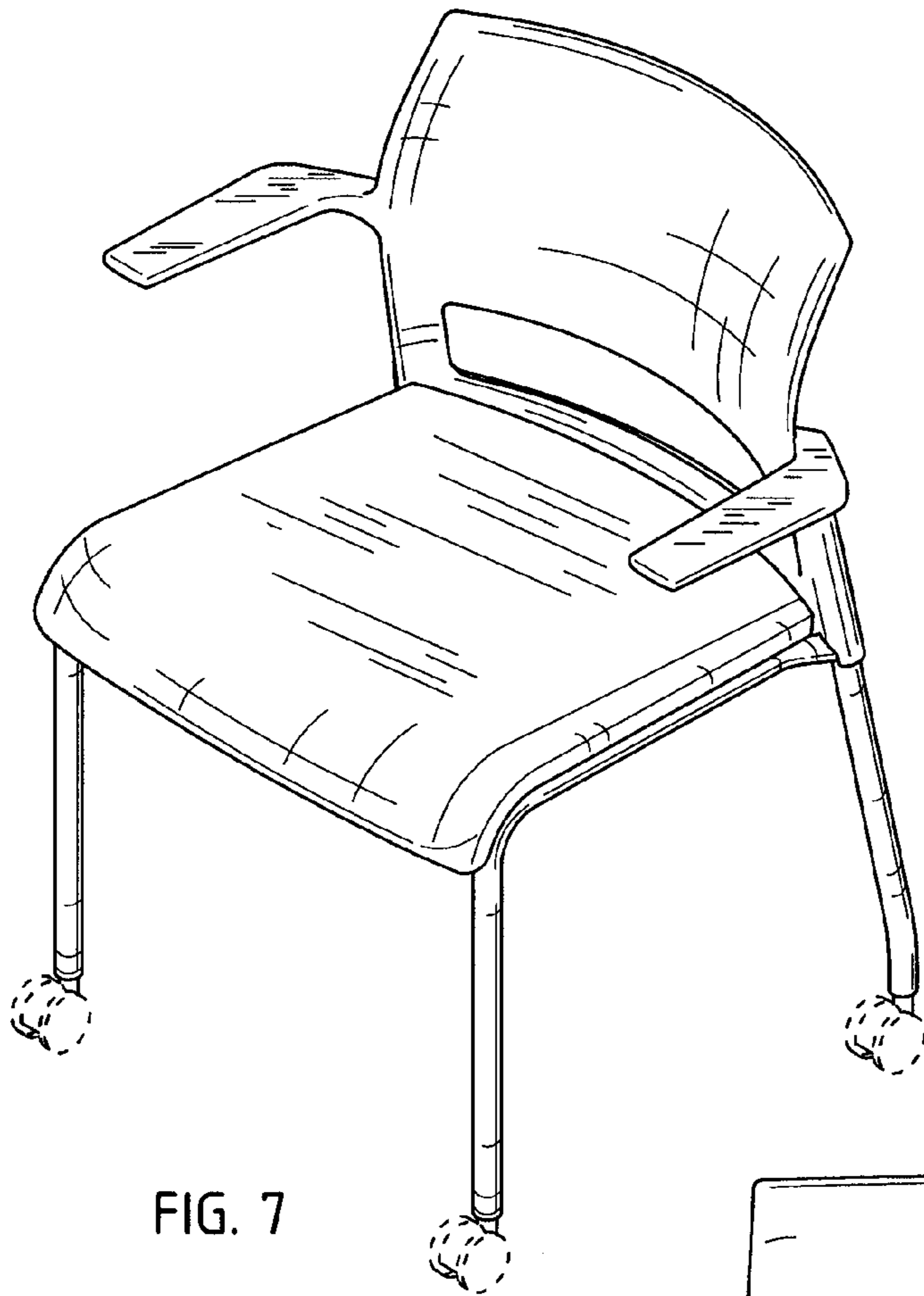


FIG. 7

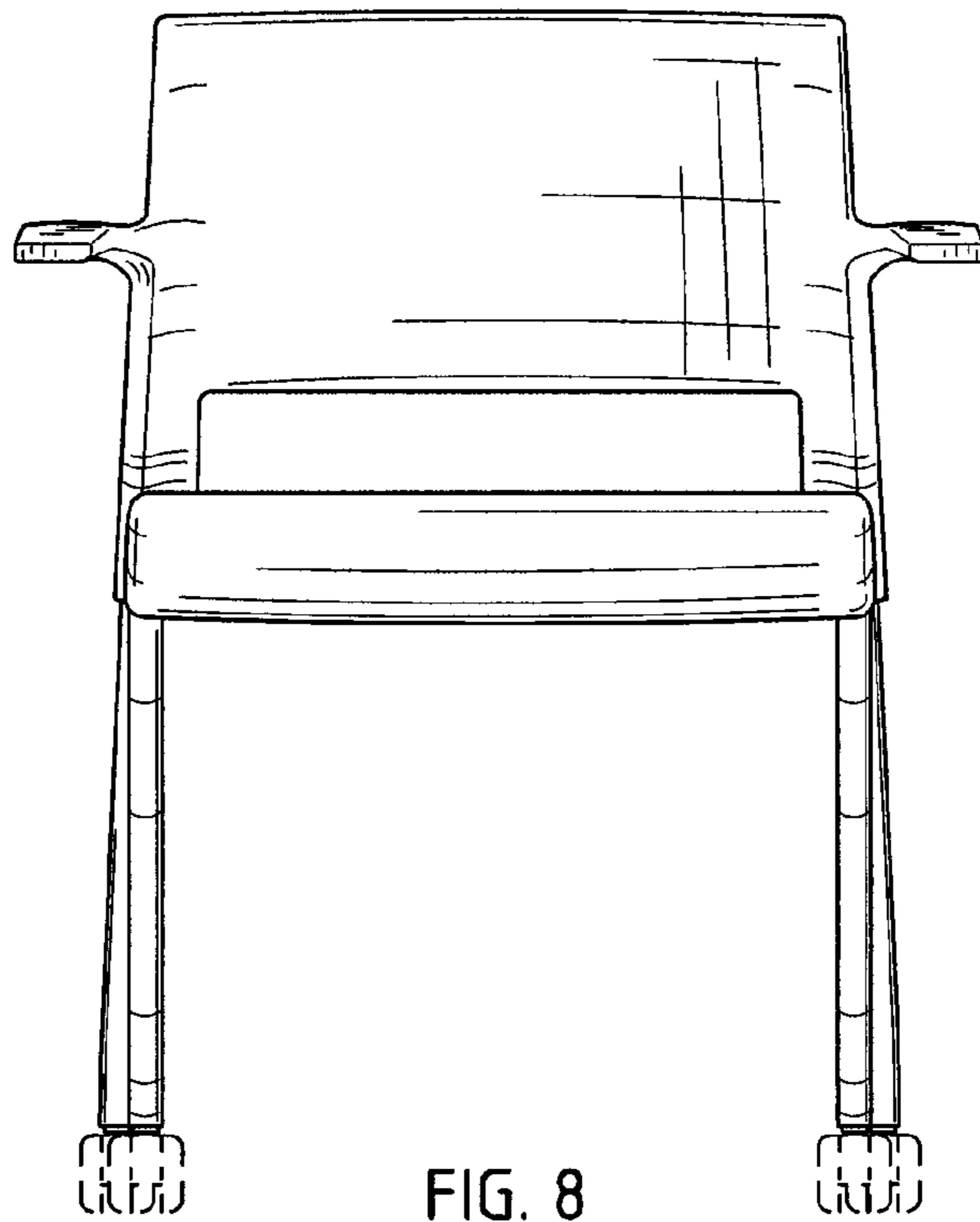


FIG. 8

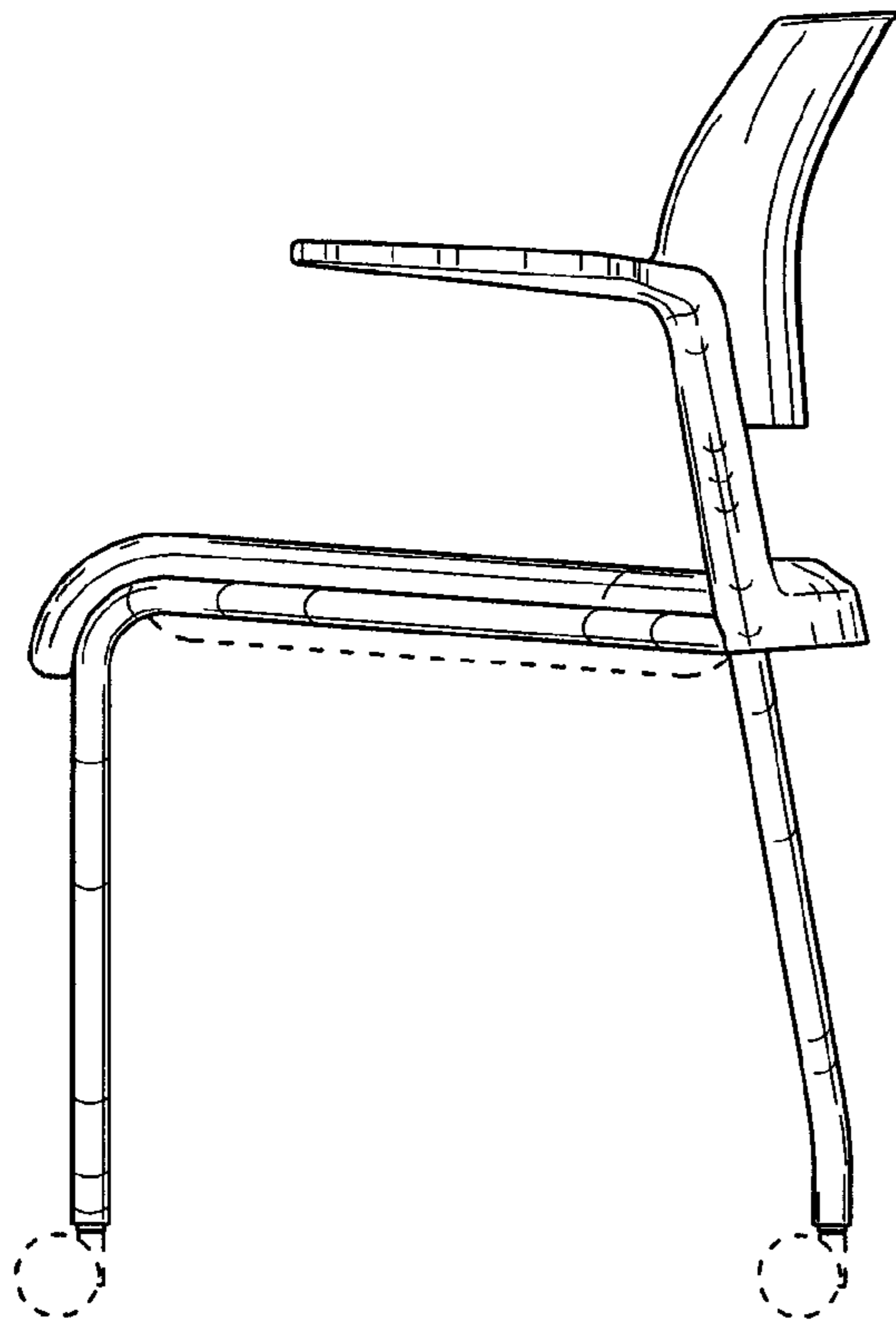


FIG. 9

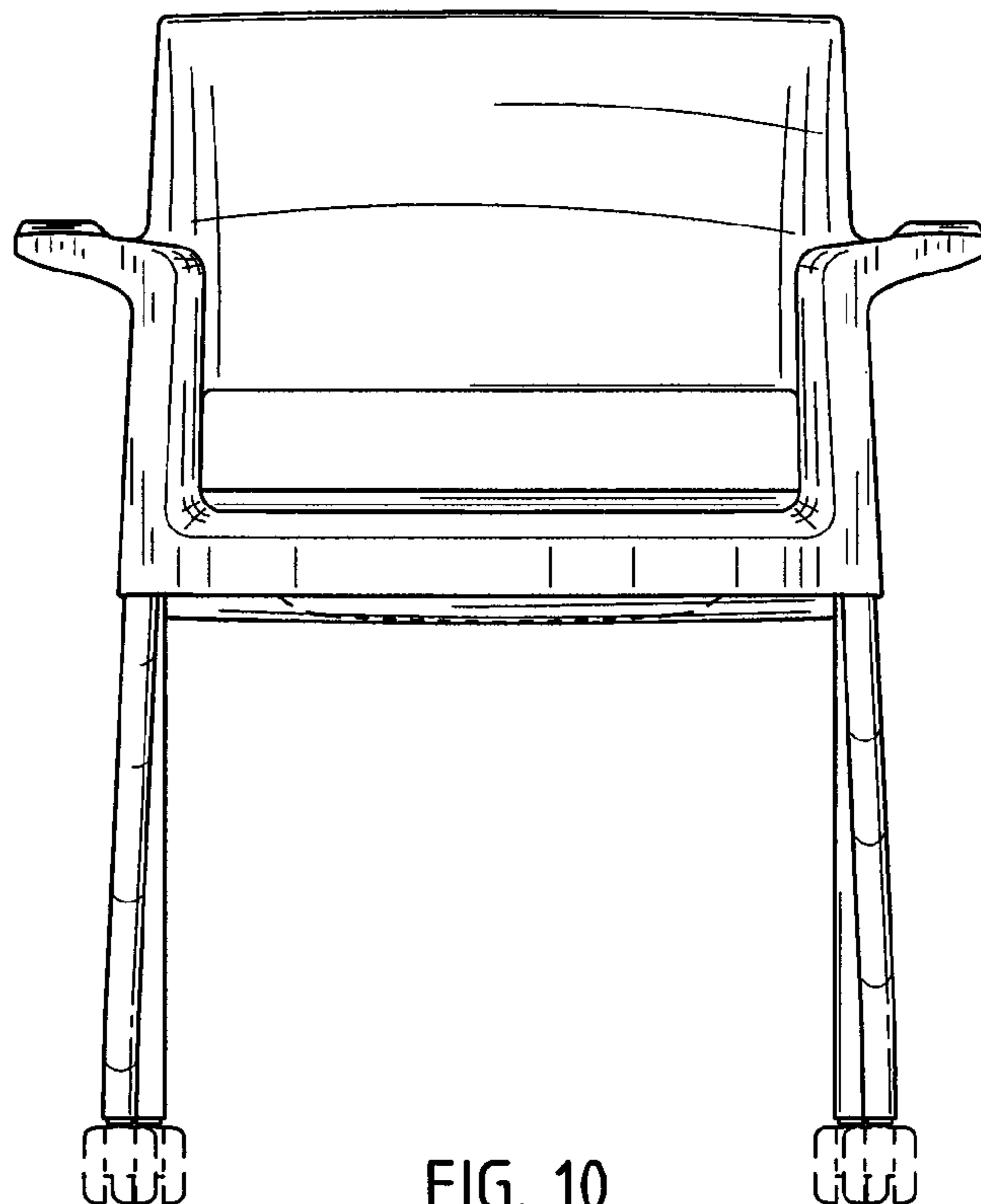


FIG. 10

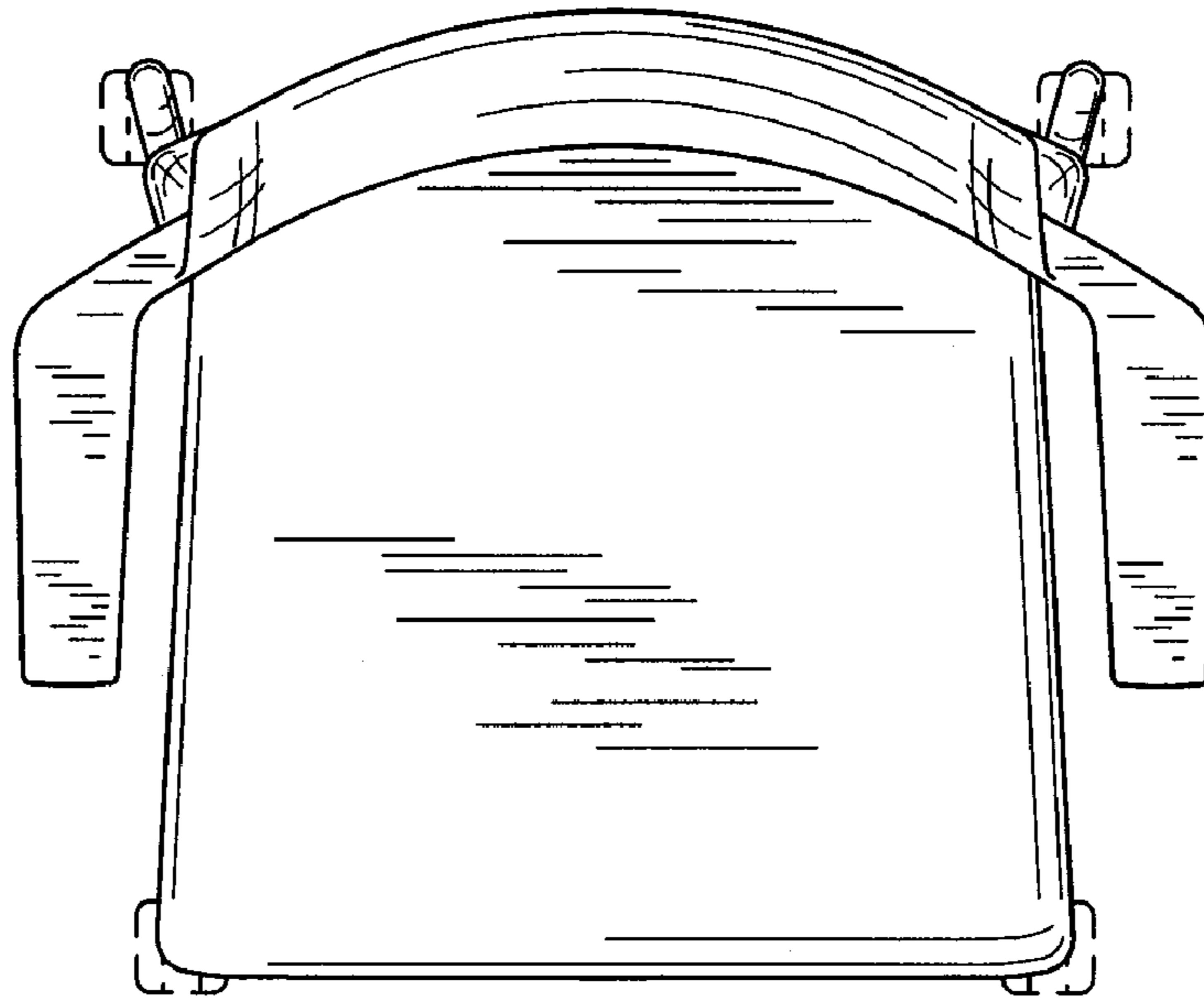


FIG. 11

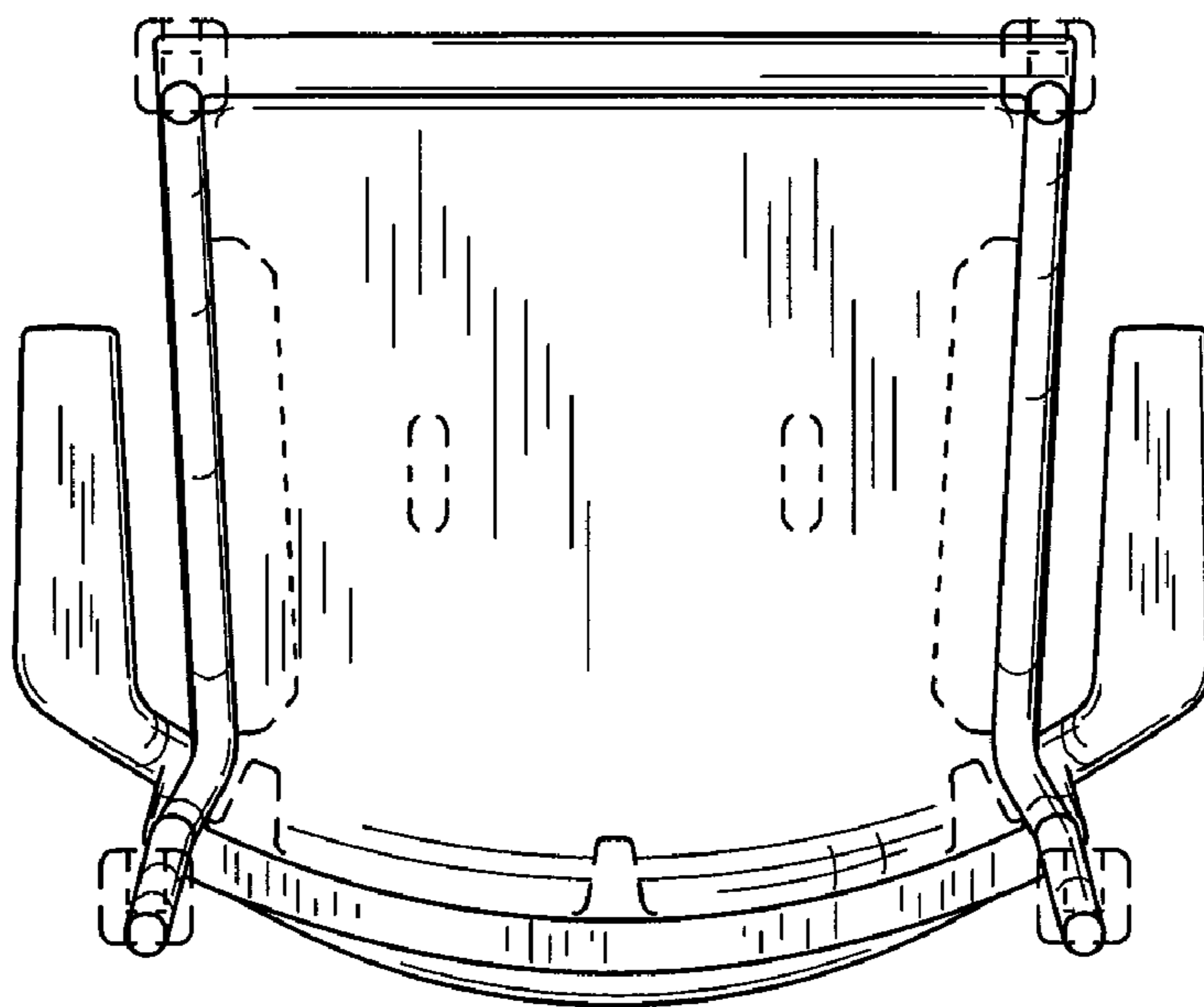


FIG. 12

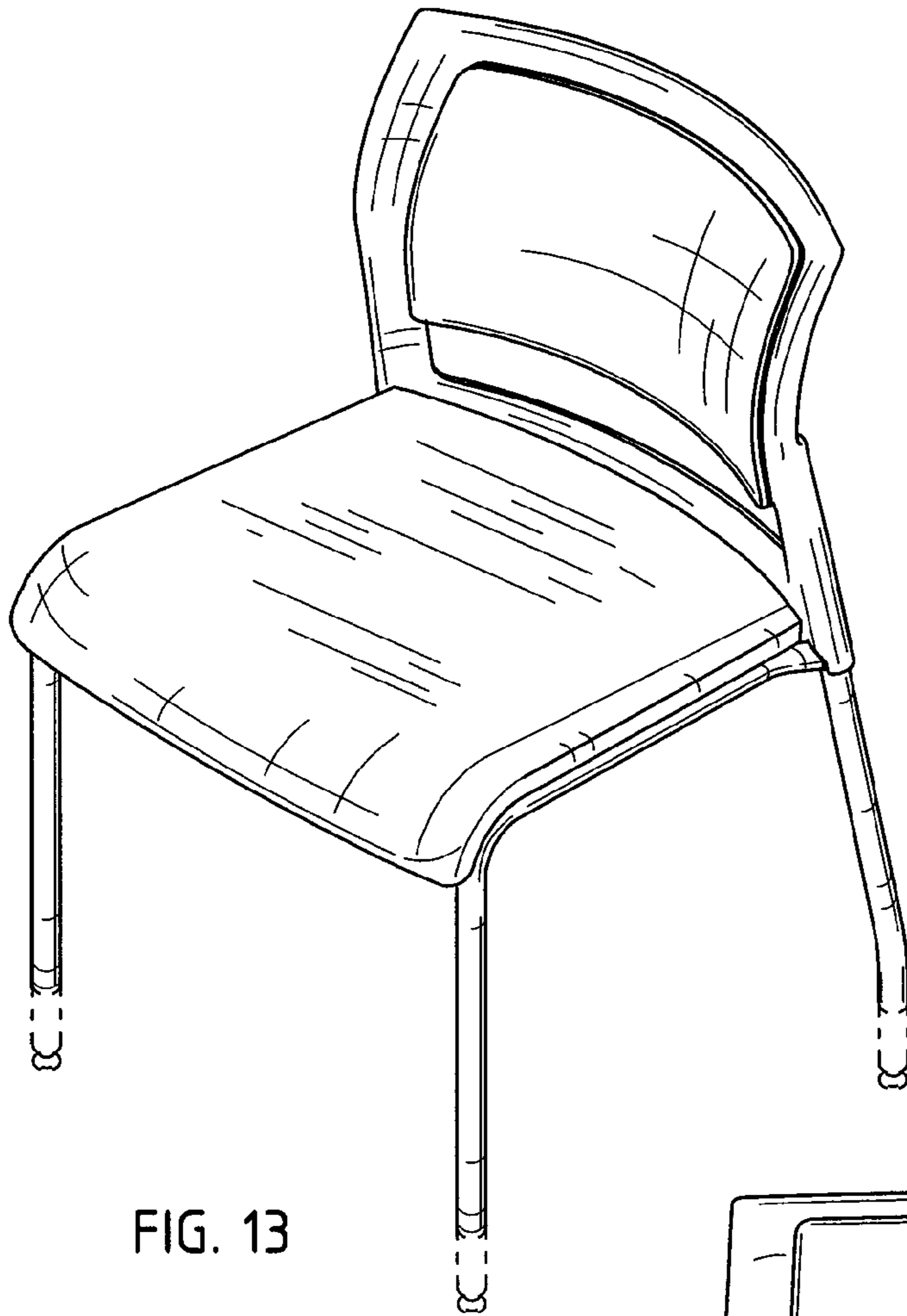


FIG. 13

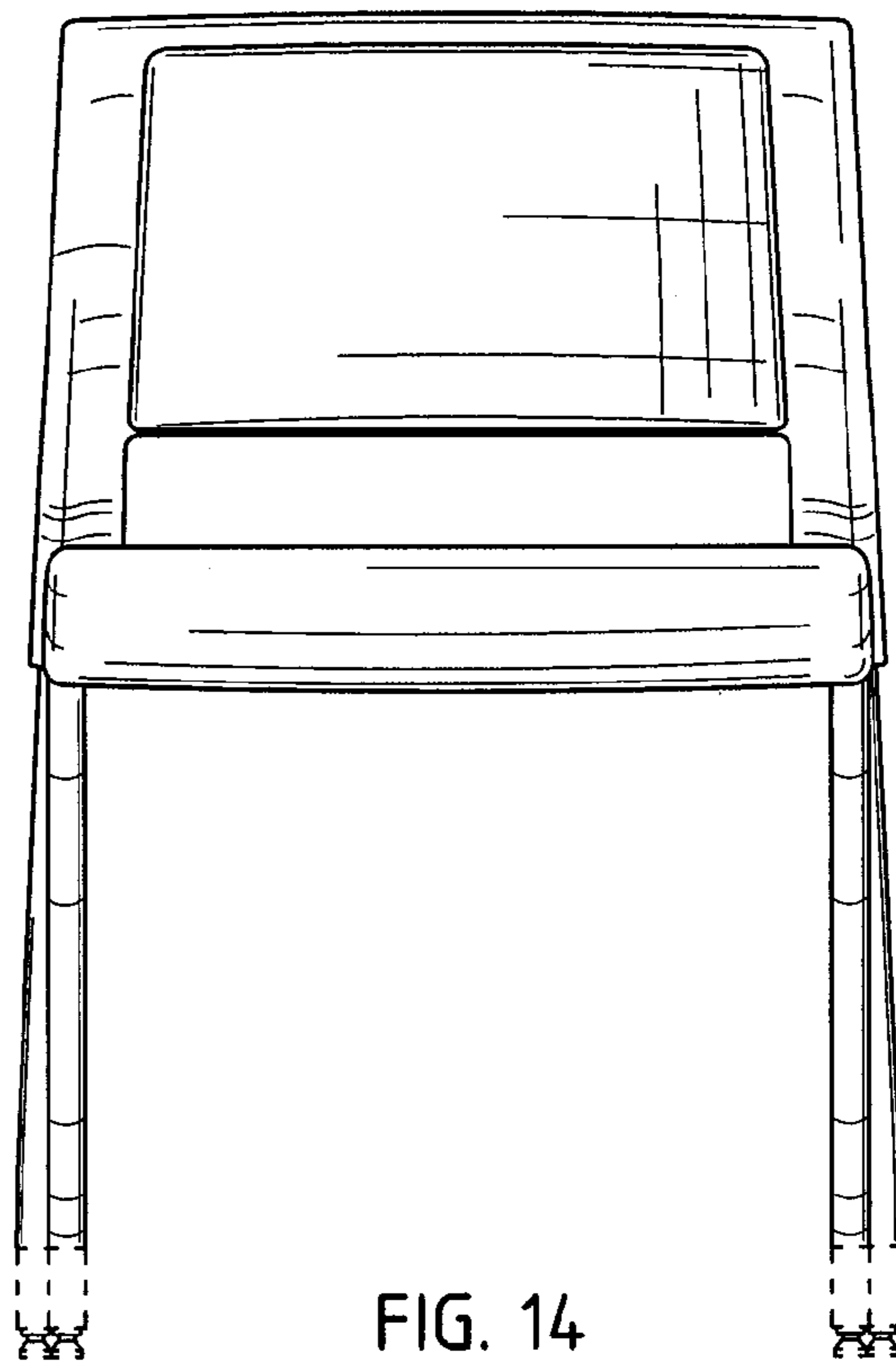


FIG. 14

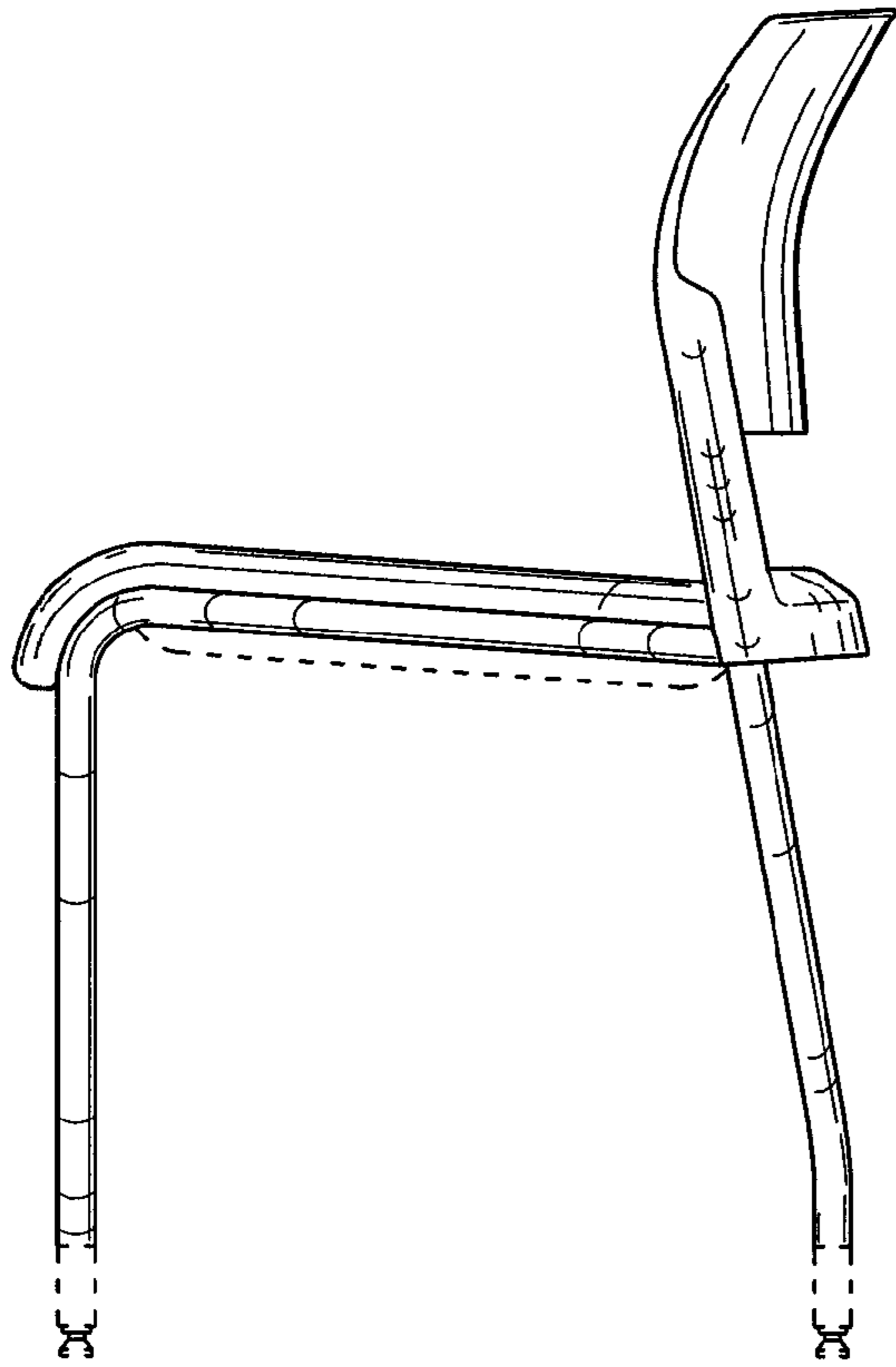


FIG. 15

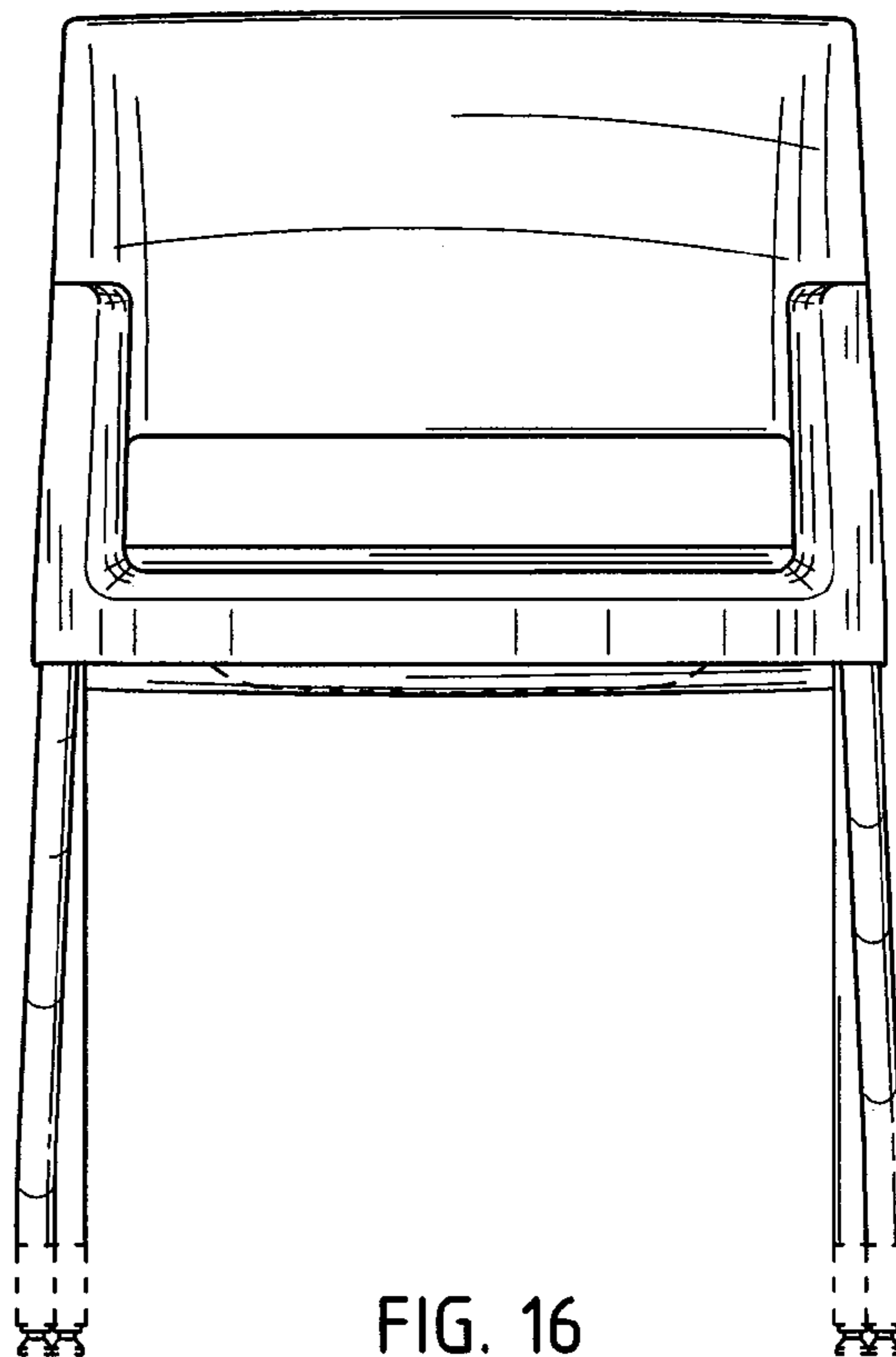


FIG. 16

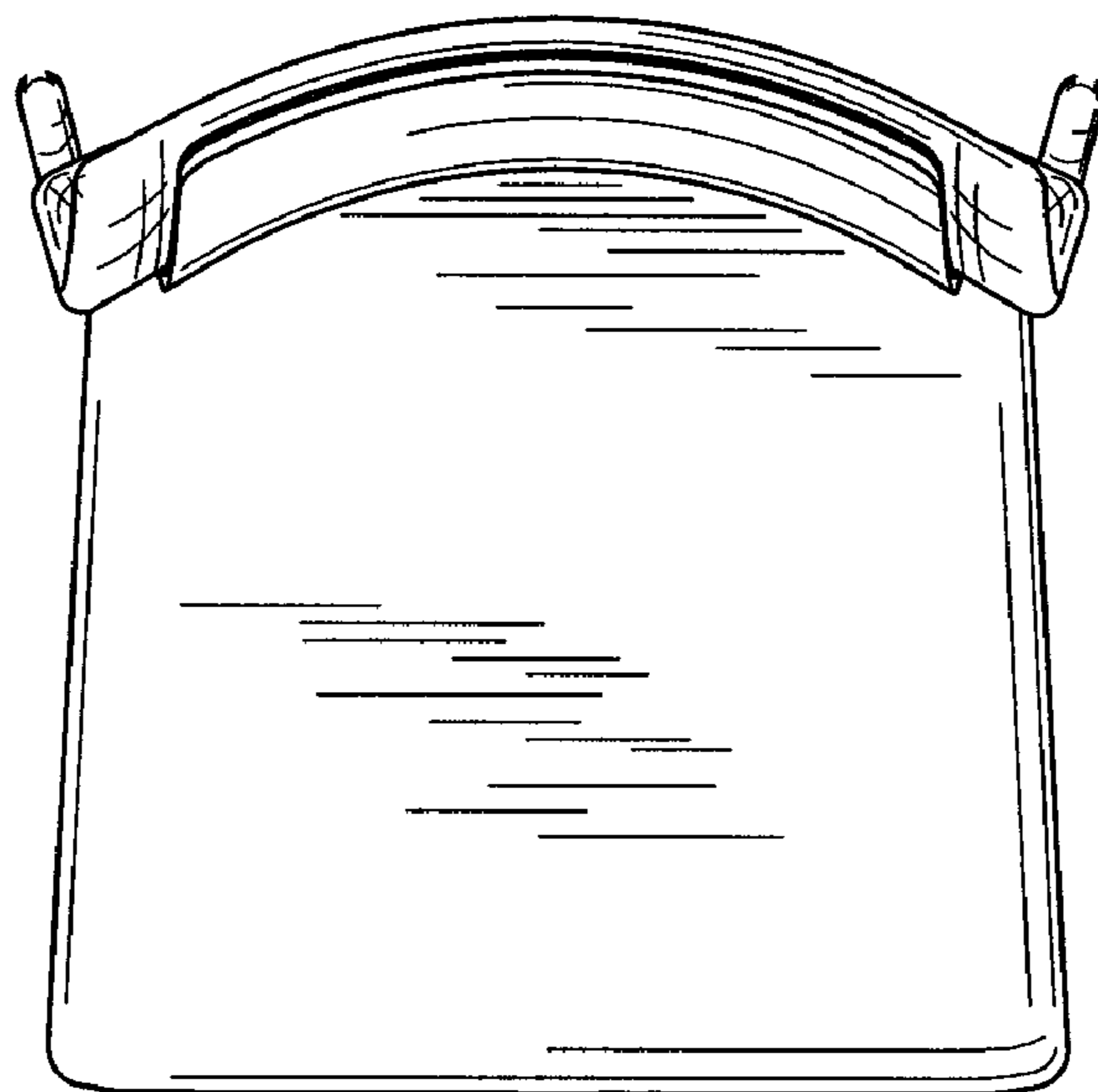


FIG. 17

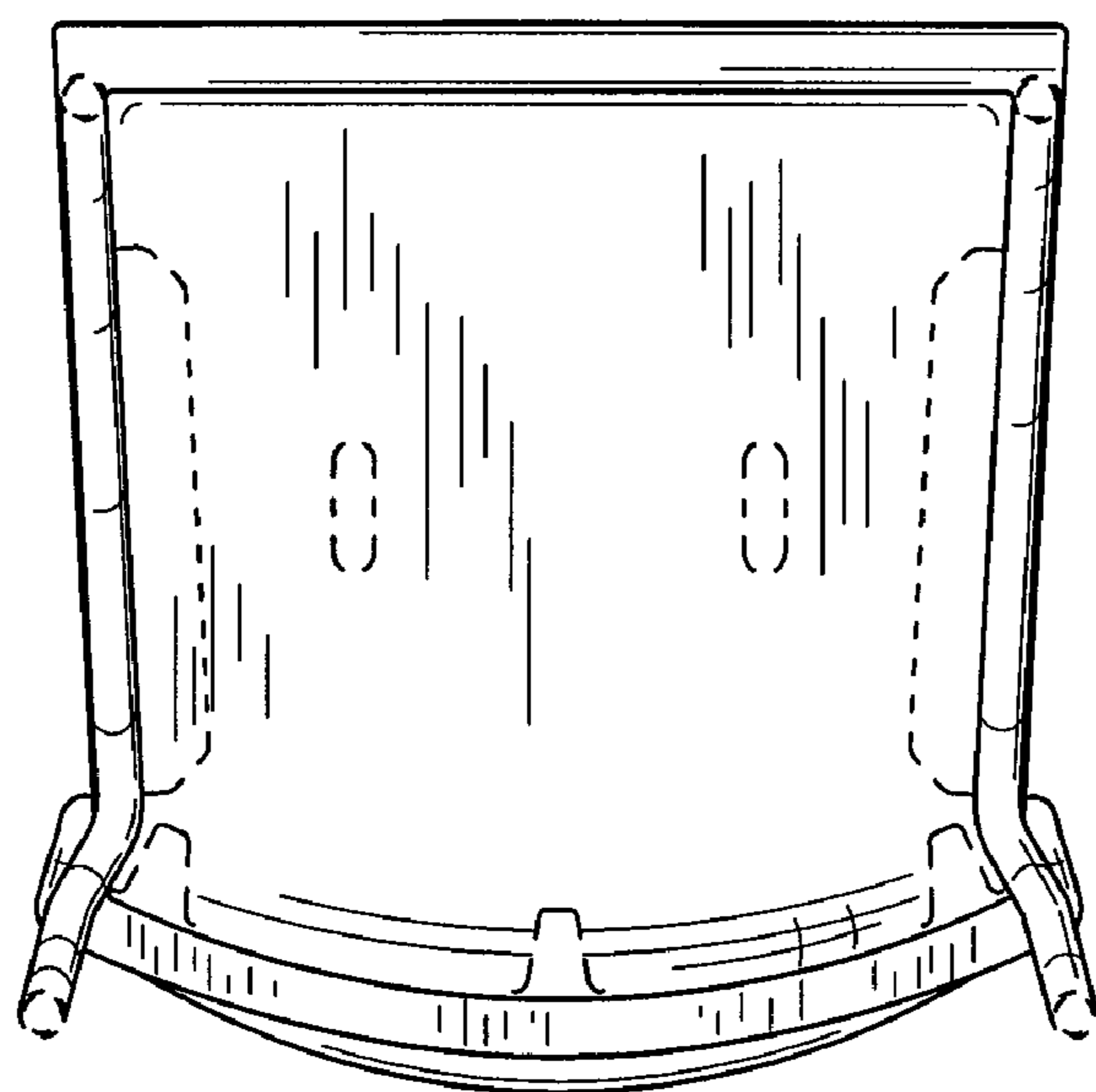


FIG. 18

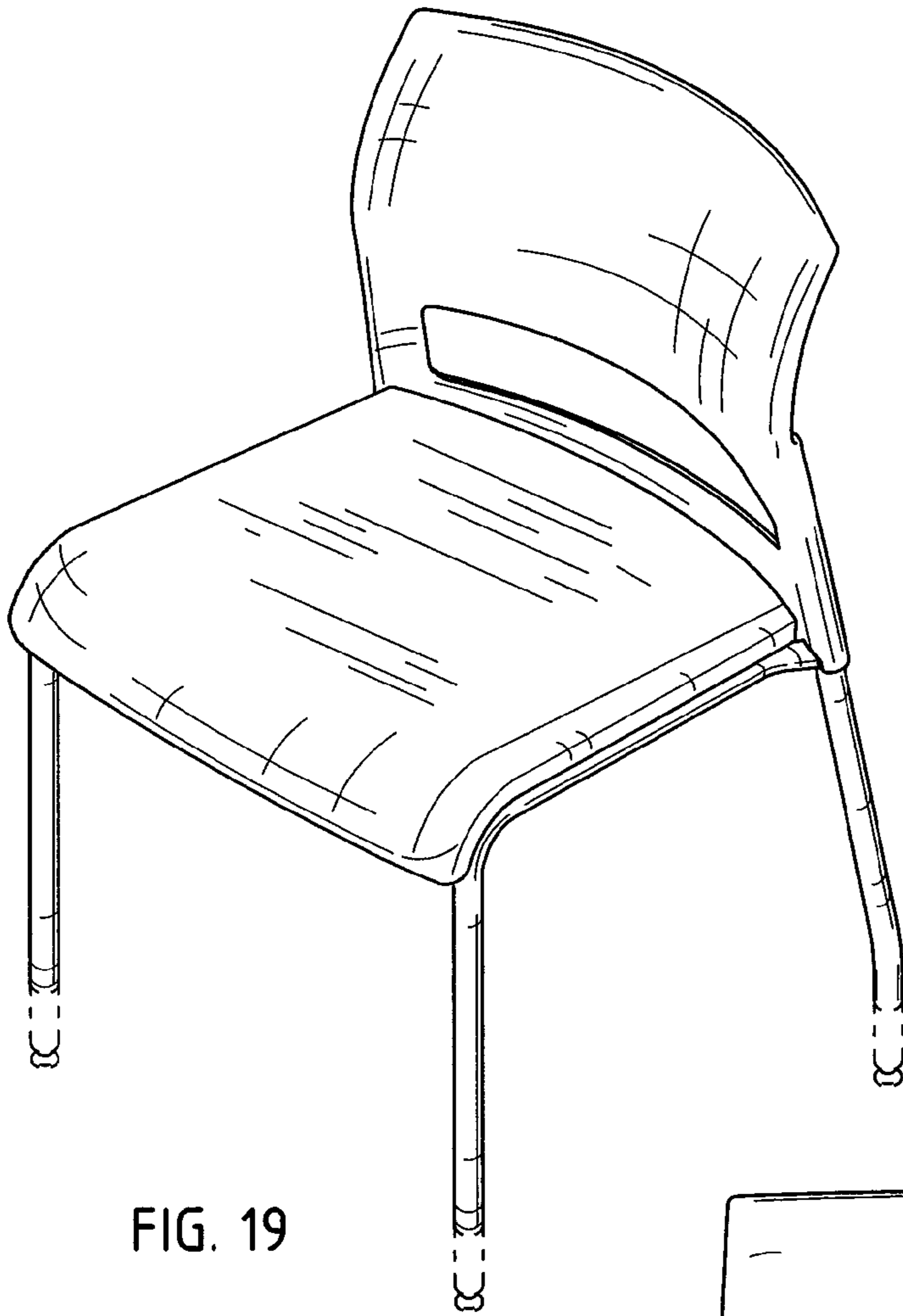


FIG. 19

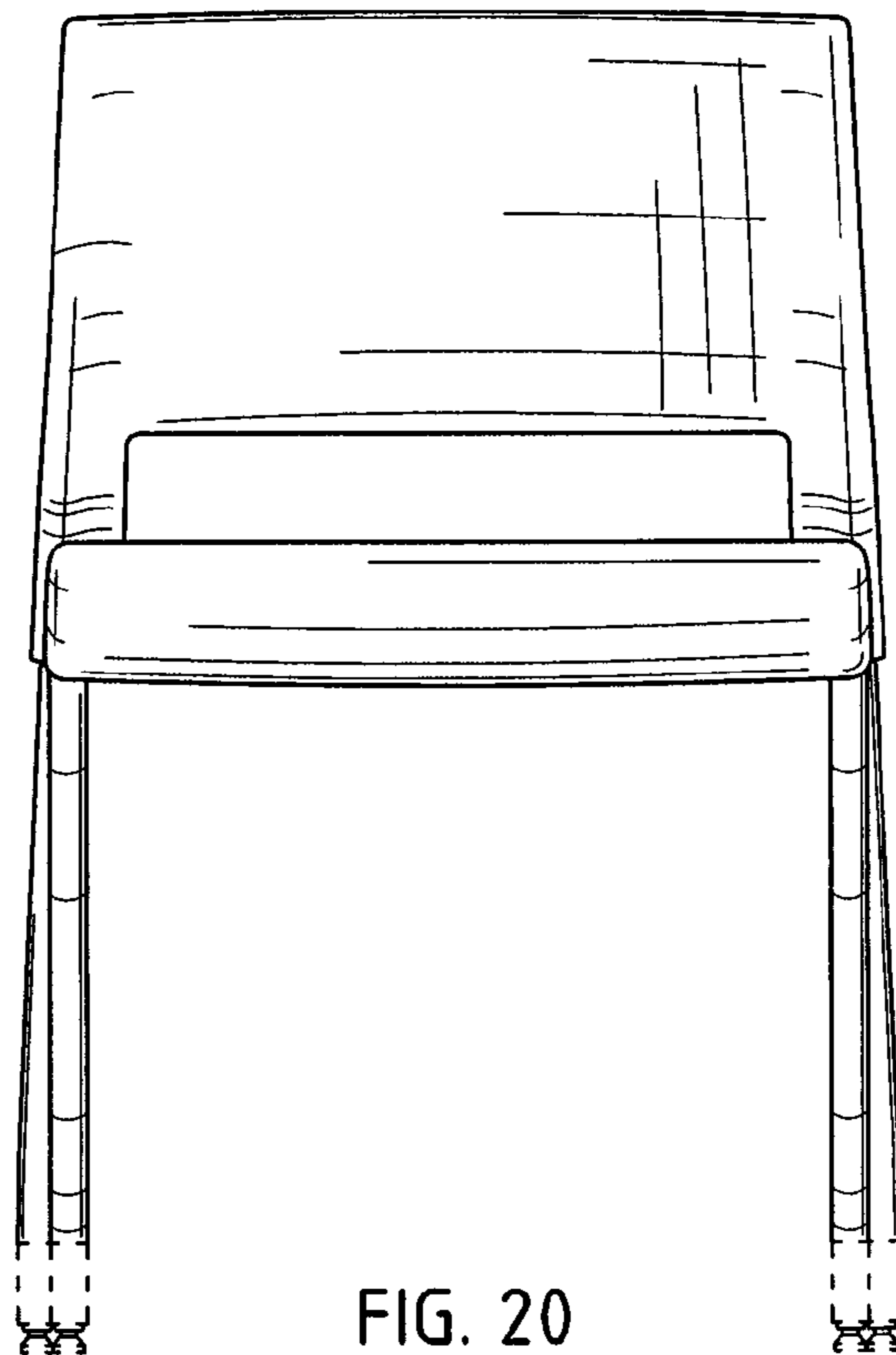


FIG. 20

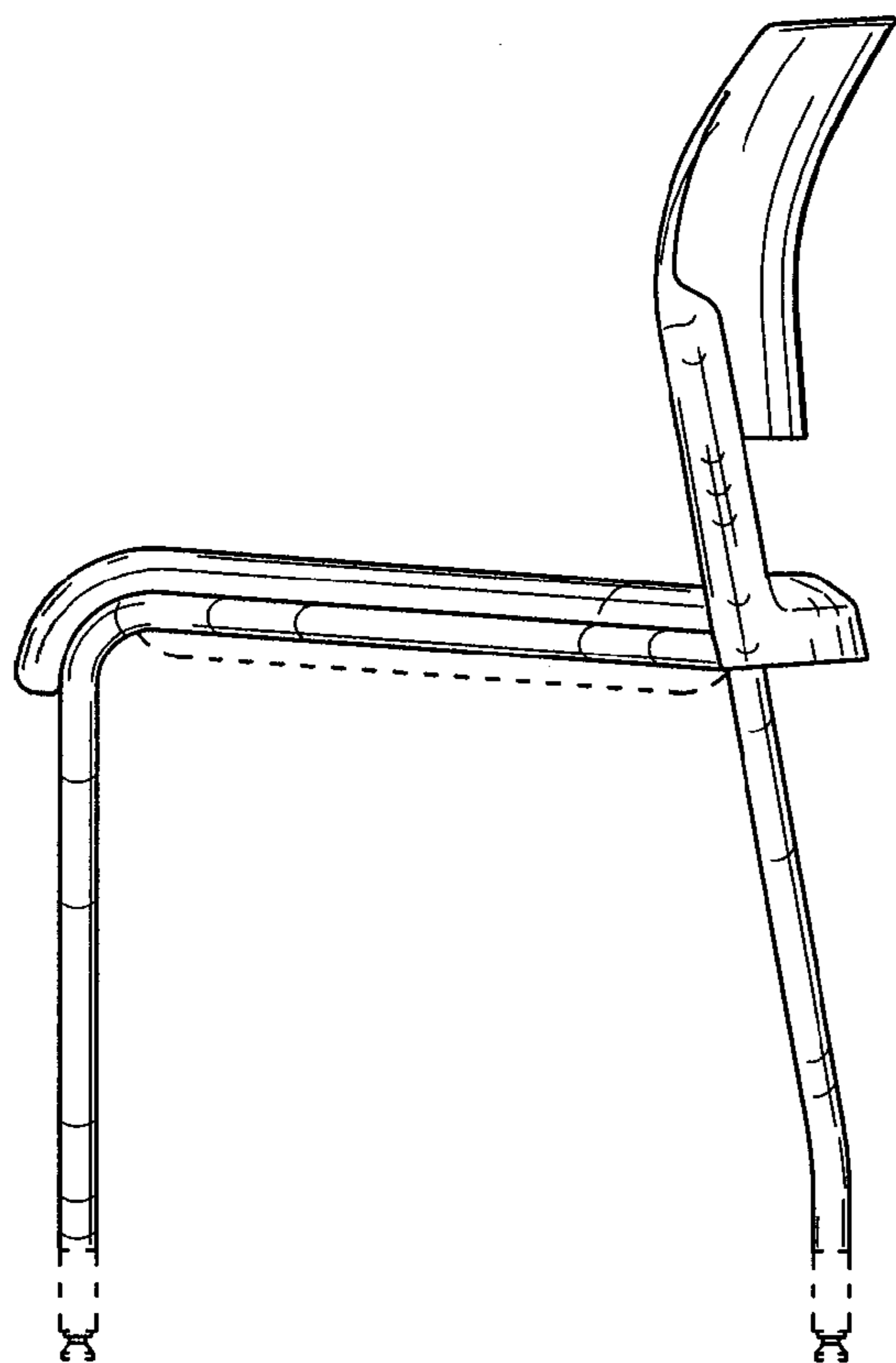


FIG. 21

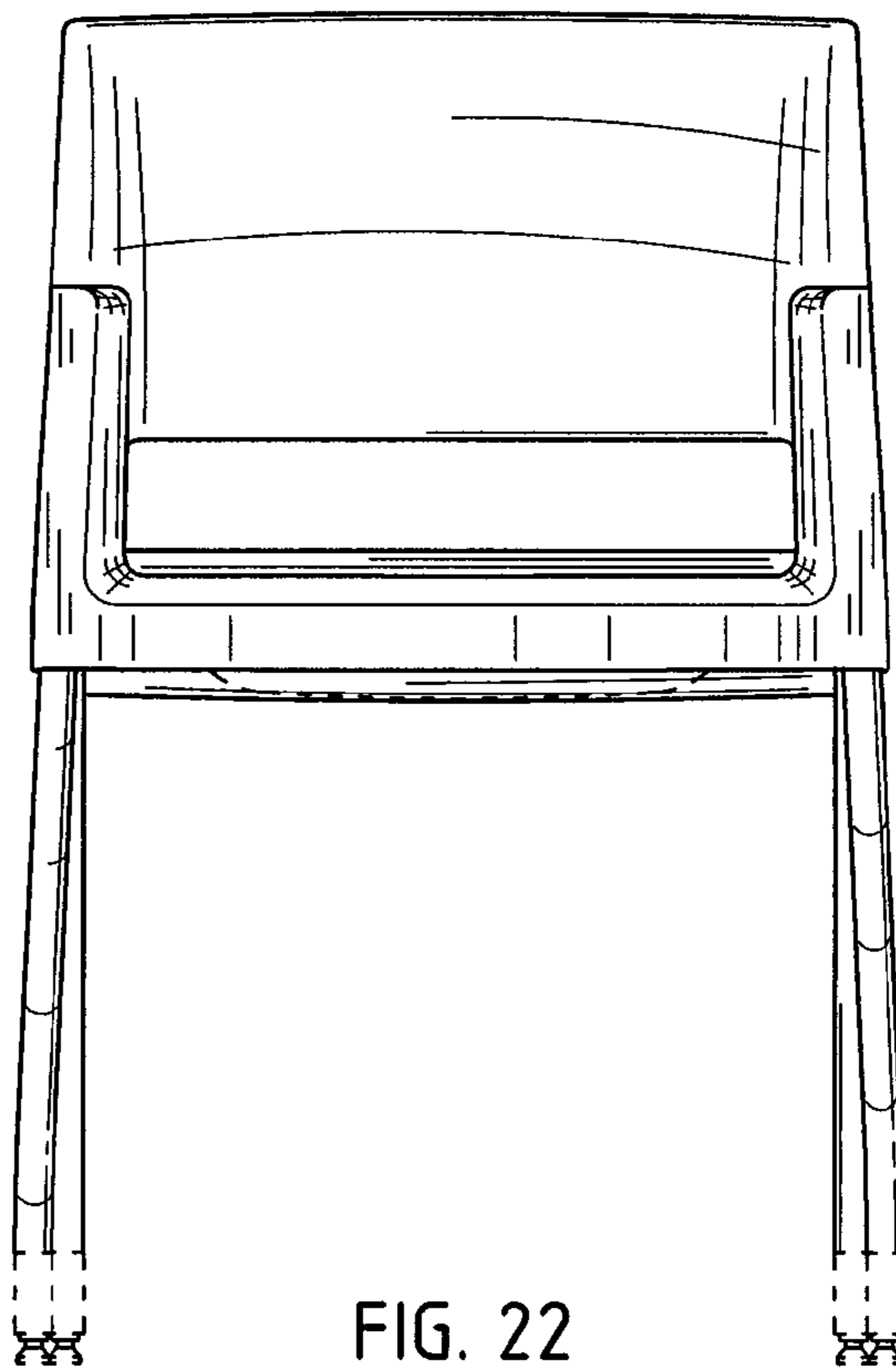


FIG. 22

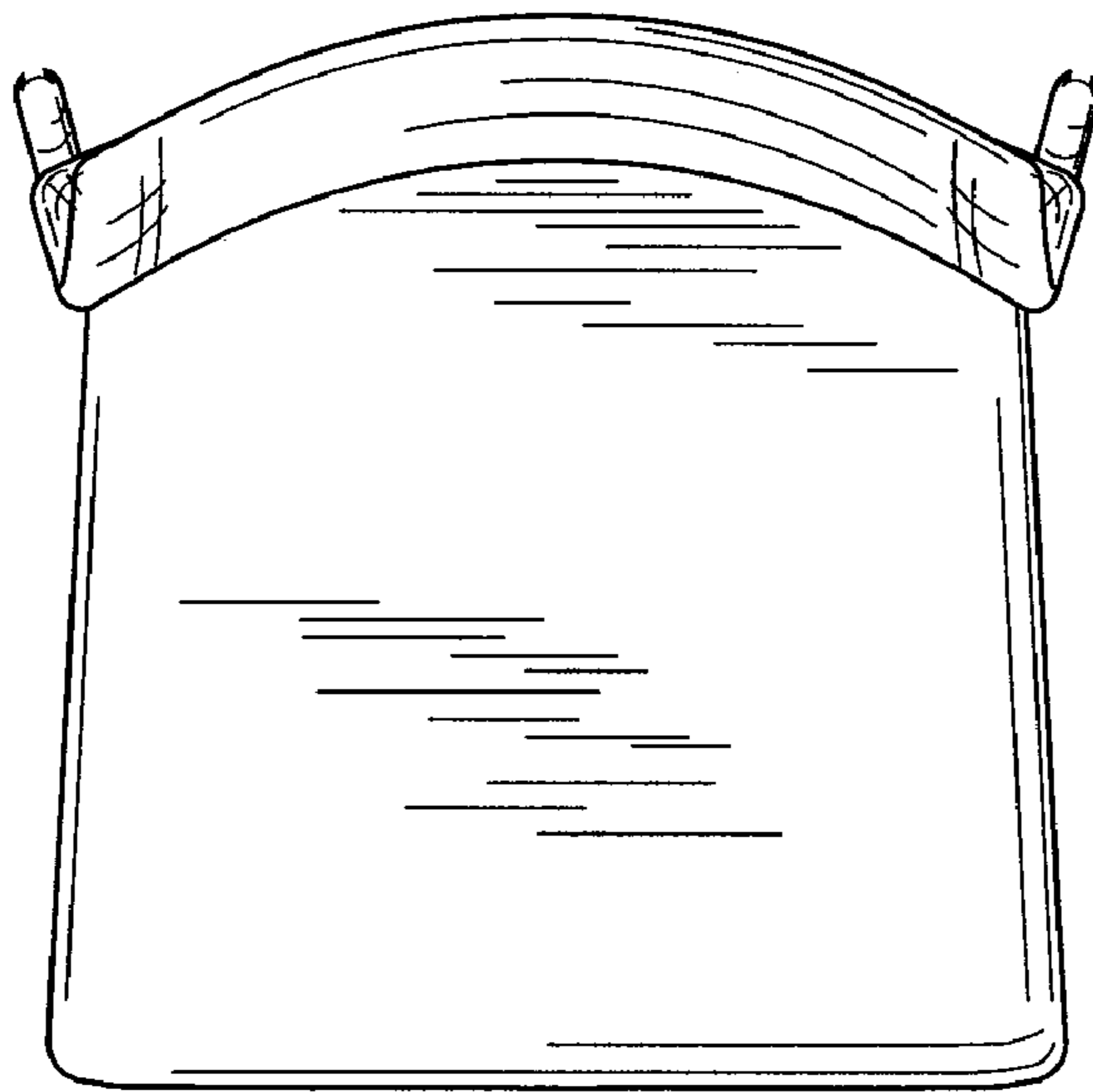


FIG. 23

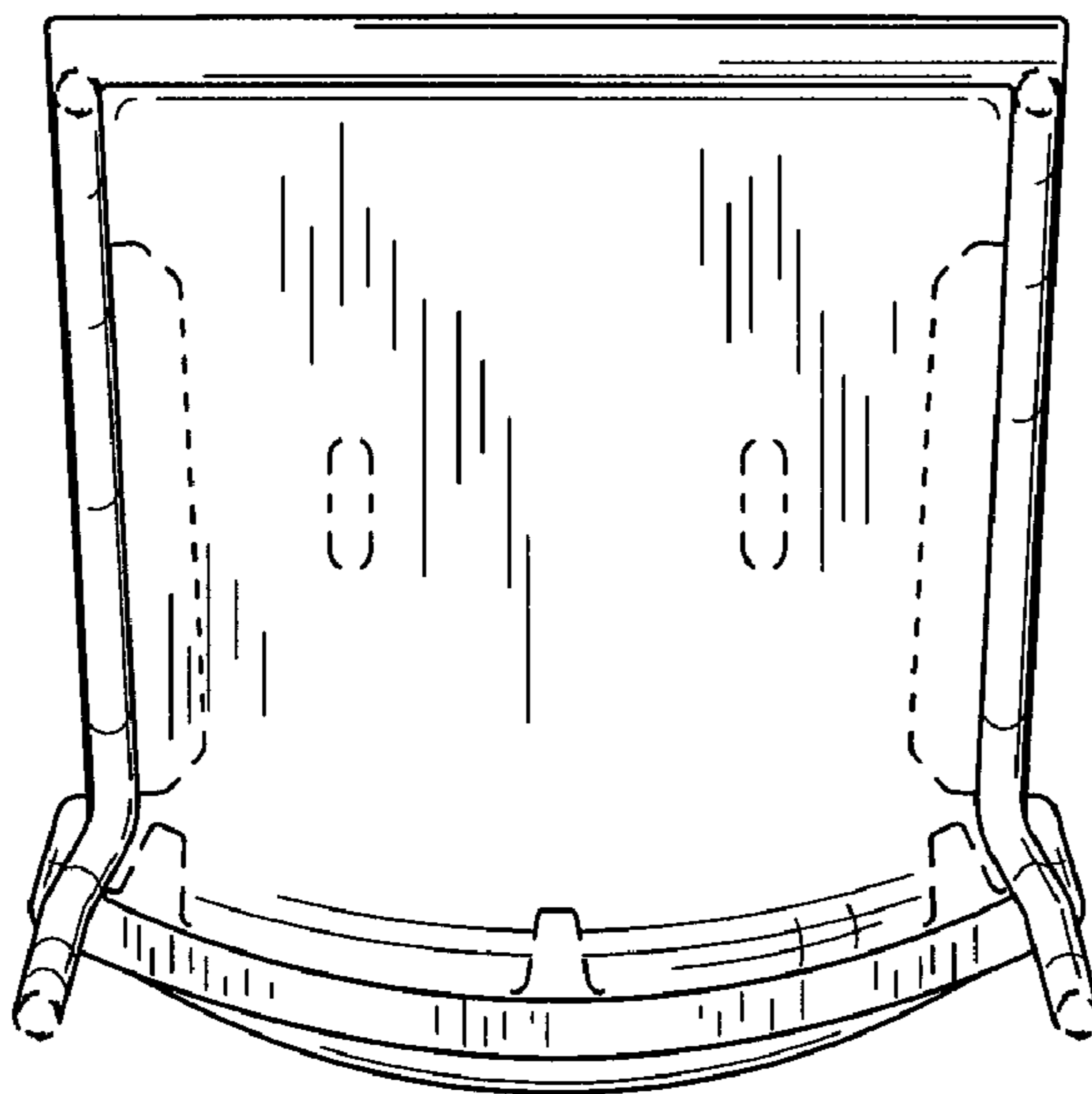


FIG. 24