



US00D592870S

(12) **United States Design Patent**
Olano Jauregui

(10) **Patent No.:** **US D592,870 S**

(45) **Date of Patent:** **** May 26, 2009**

(54) **STOOL**

(75) Inventor: **Juan Carlos Olano Jauregui**, Legorreta (ES)

(73) Assignee: **Eredu, S. Coop.**, Legorreta (Gipuzkoa) (ES)

(**) Term: **14 Years**

(21) Appl. No.: **29/329,912**

(22) Filed: **Dec. 23, 2008**

(30) **Foreign Application Priority Data**

Jul. 2, 2008 (EM) 000962170-0002

(51) **LOC (9) Cl.** **06-01**

(52) **U.S. Cl.** **D6/360; D6/375**

(58) **Field of Classification Search** D6/334-336, D6/349, 452, 360, 364, 365, 366, 367, 371, D6/372, 373, 374, 375, 376, 379, 380, 499, D6/500-502; 297/445.1, 446.1, 452.12, 297/452.14, 452.18, 452.19, 452.2, 452.29
See application file for complete search history.

(56) **References Cited**

U.S. PATENT DOCUMENTS

D182,790 S * 5/1958 Cohen D6/375

D488,630 S * 4/2004 McCann D6/360
D498,937 S * 11/2004 Messier et al. D6/375
D535,828 S * 1/2007 Gasca Burges D6/360
D550,466 S * 9/2007 Molina et al. D6/366
D573,363 S * 7/2008 Pillet D6/375
D586,135 S * 2/2009 Lievore D6/366

* cited by examiner

Primary Examiner—Mimosa De

(74) *Attorney, Agent, or Firm*—Lucas & Mercanti, LLP

(57) **CLAIM**

The ornamental design for a stool, substantially as shown and described.

DESCRIPTION

FIG. 1 is a perspective view of my stool design;

FIG. 2 is a front view of my stool design;

FIG. 3 is a right-side view of my stool design;

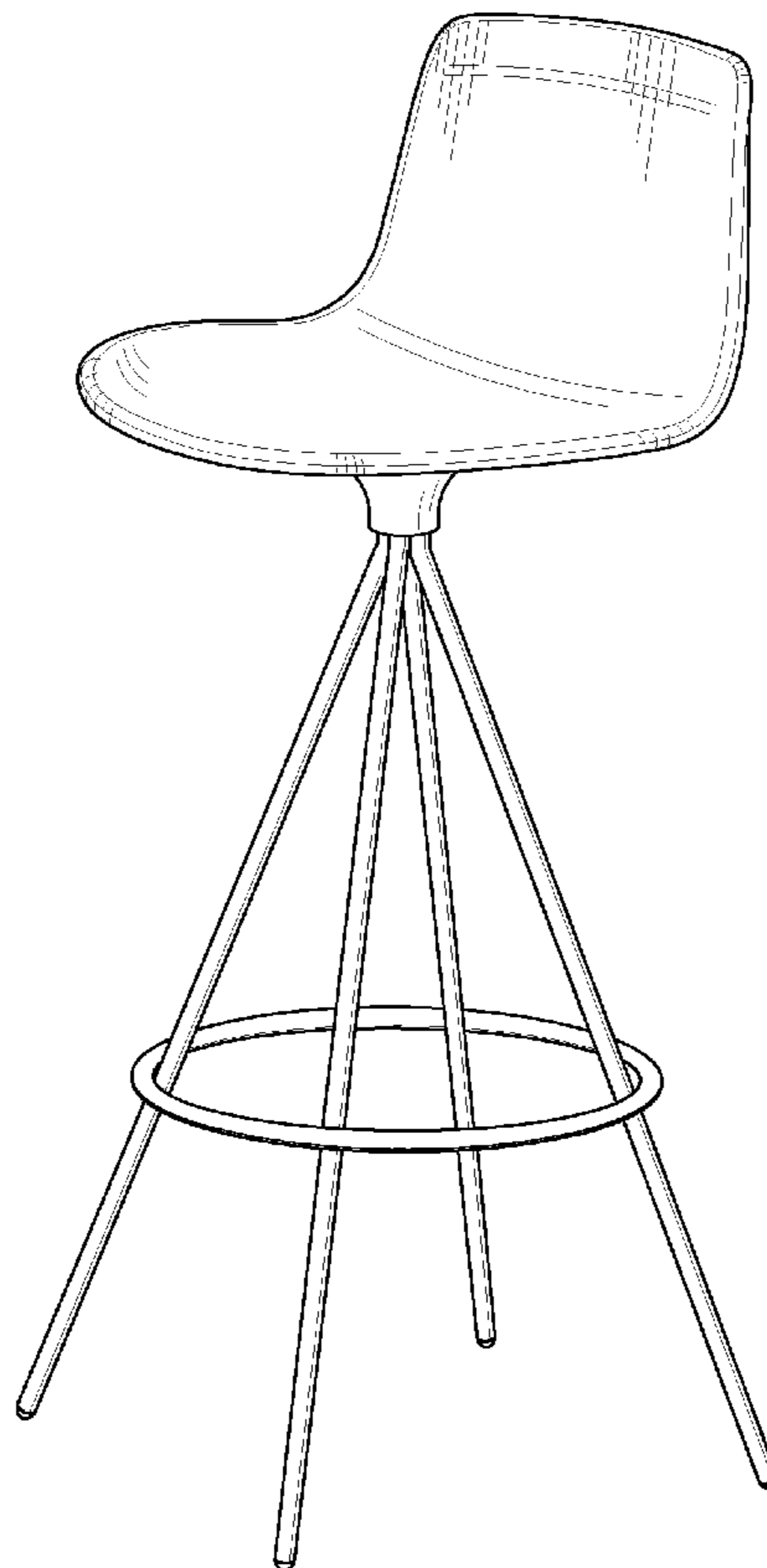
FIG. 4 is a top view of my stool design;

FIG. 5 is a back view of my stool design;

FIG. 6 is a left-side view of my stool design; and,

FIG. 7 is a bottom view of my stool design.

1 Claim, 7 Drawing Sheets



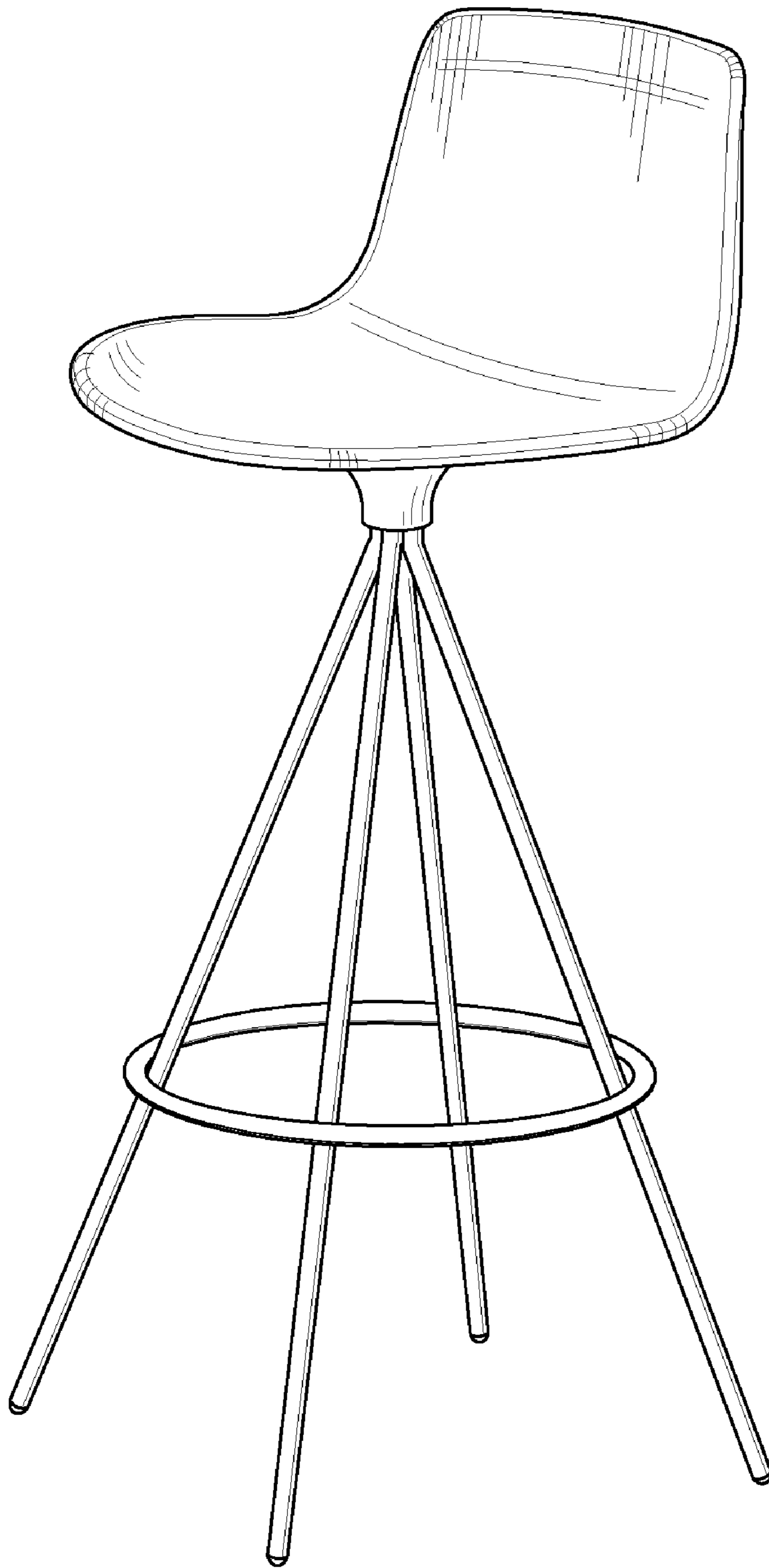


FIG. 1

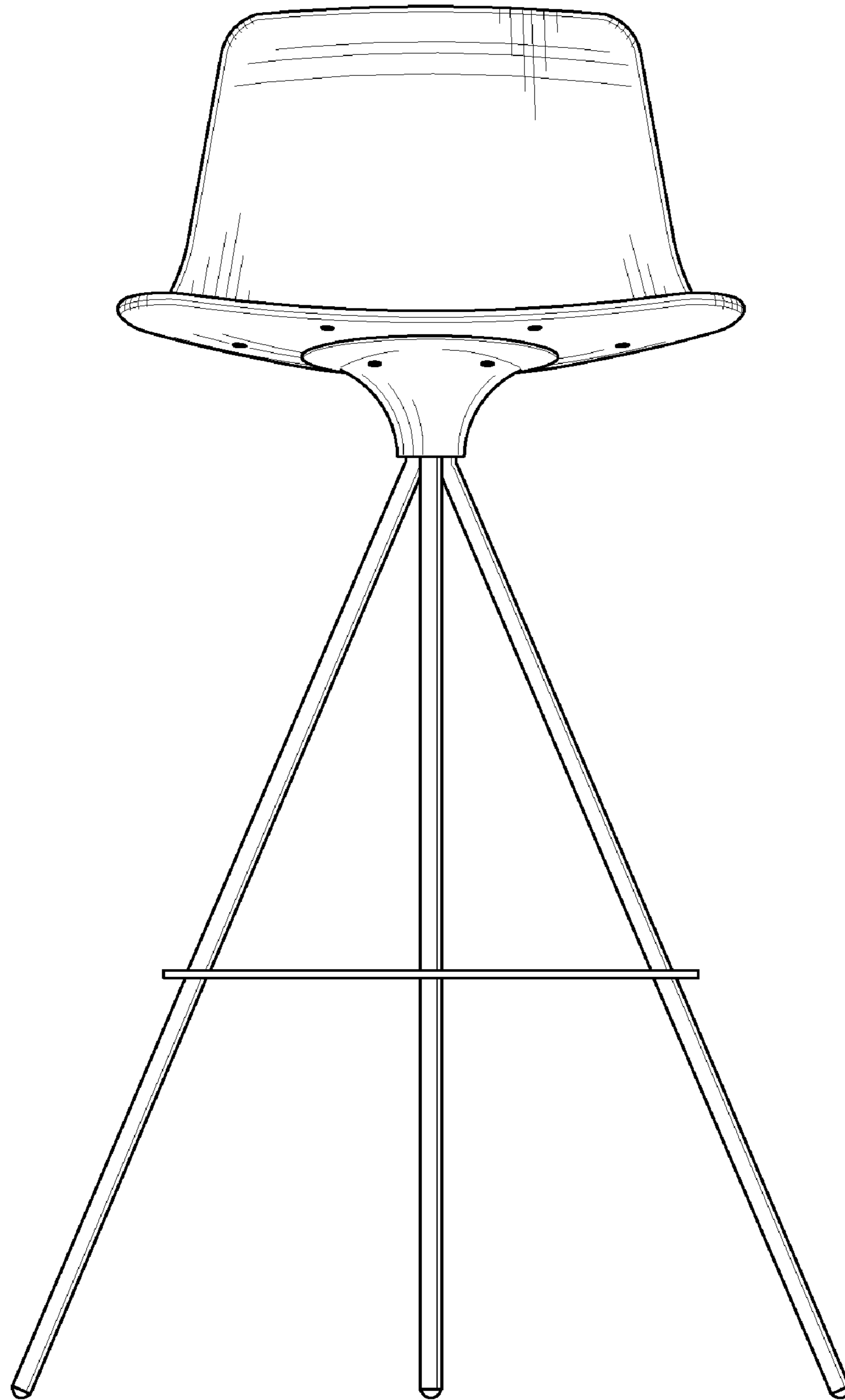


FIG. 2

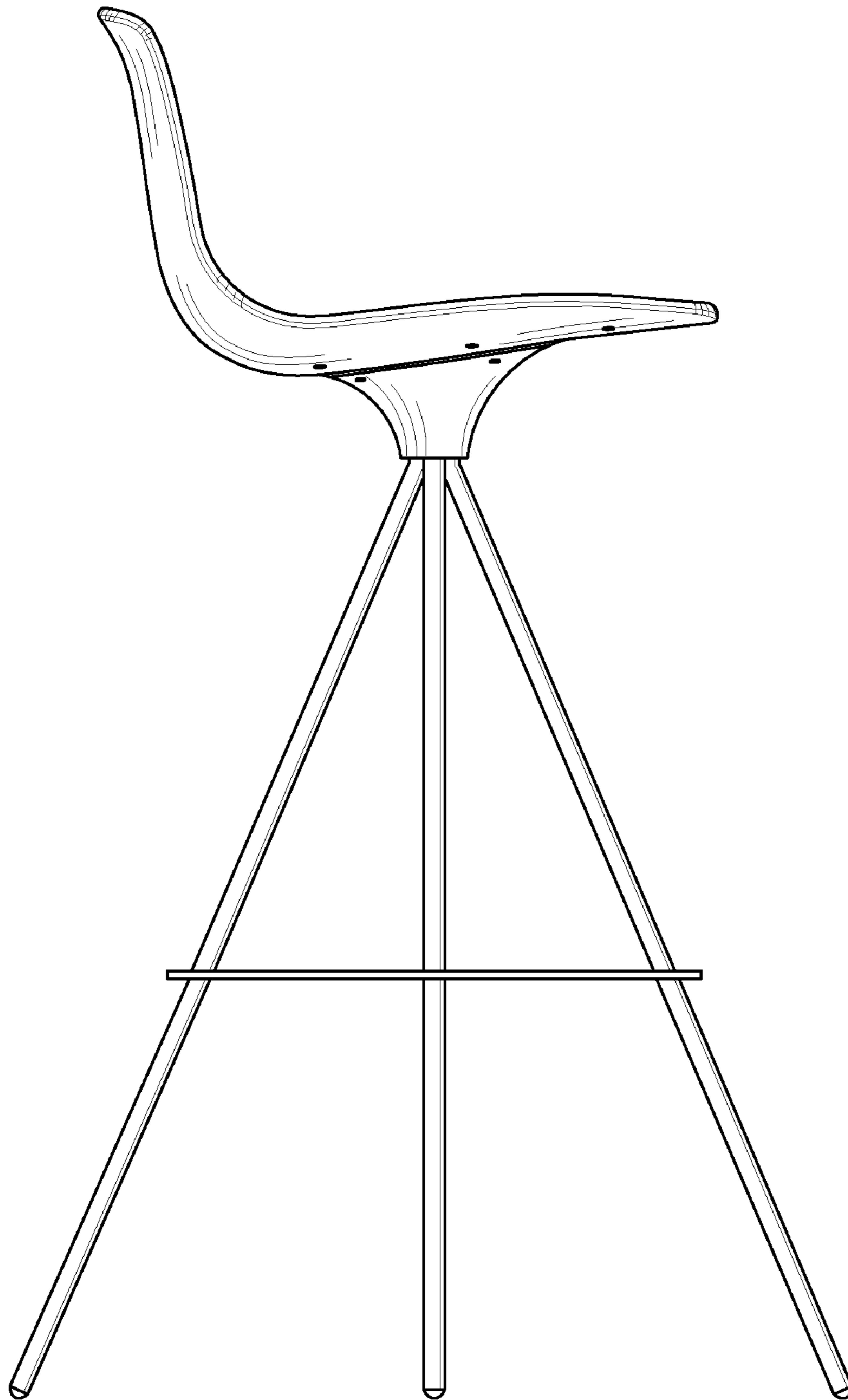


FIG. 3

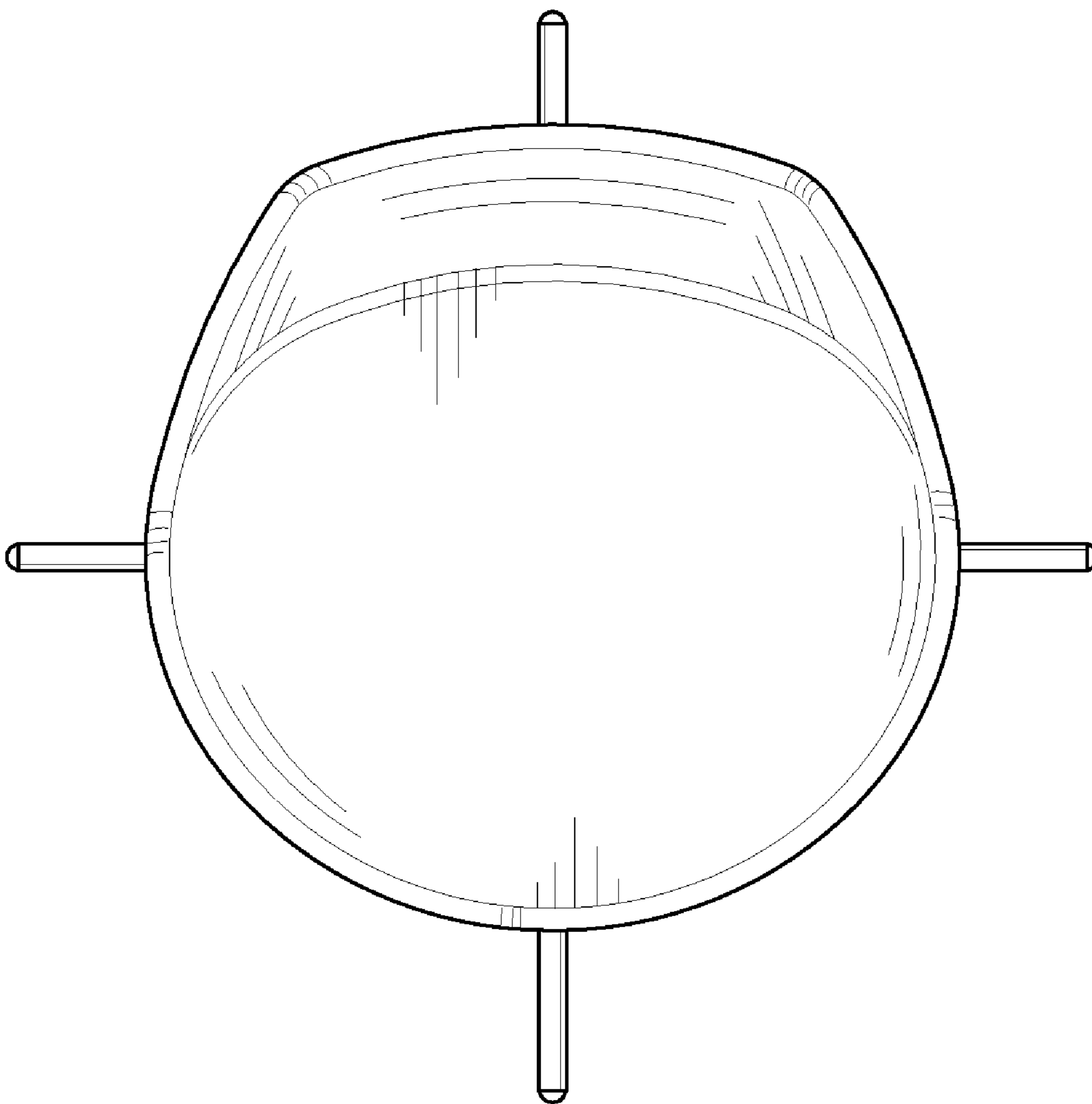


FIG. 4

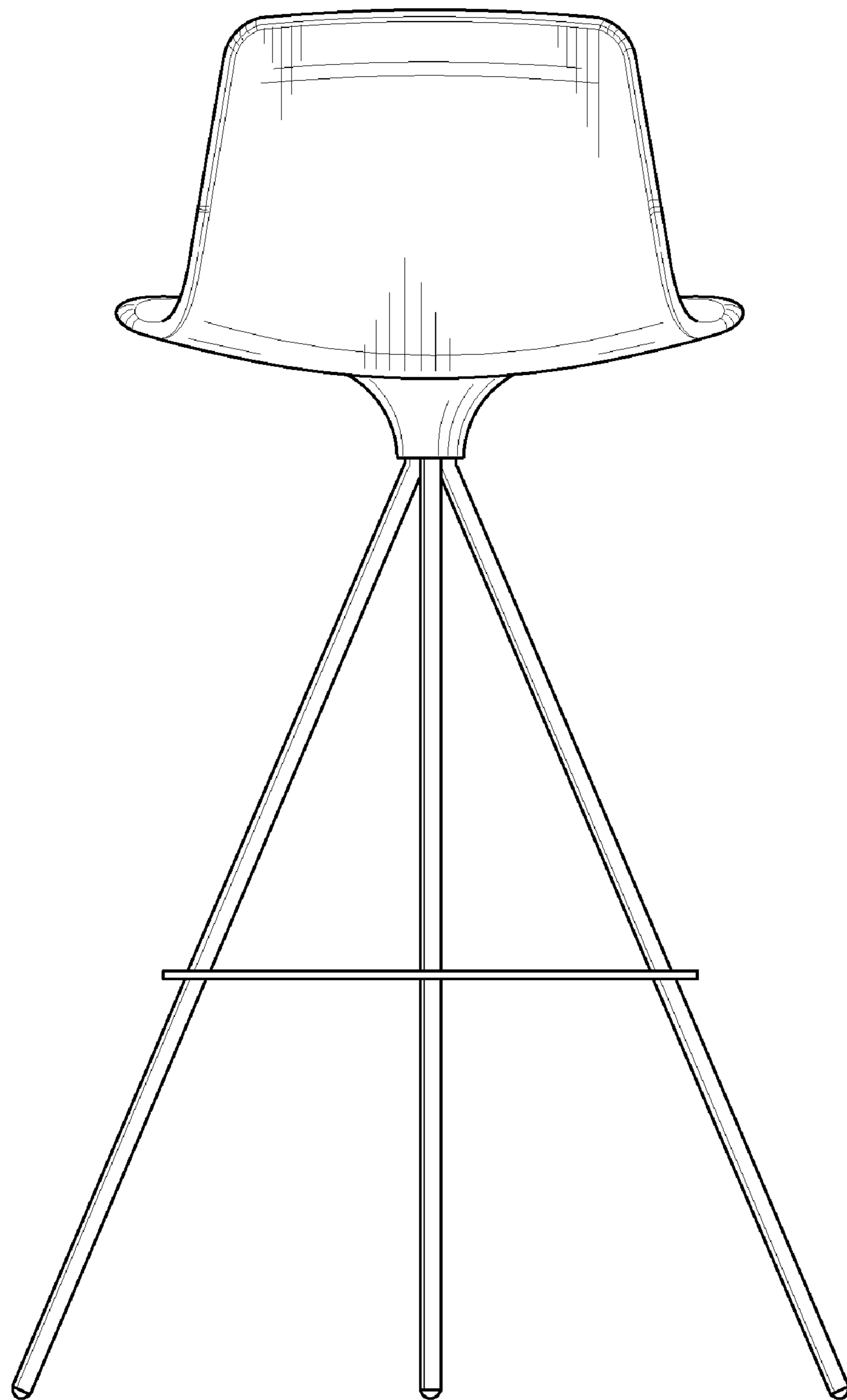


FIG. 5

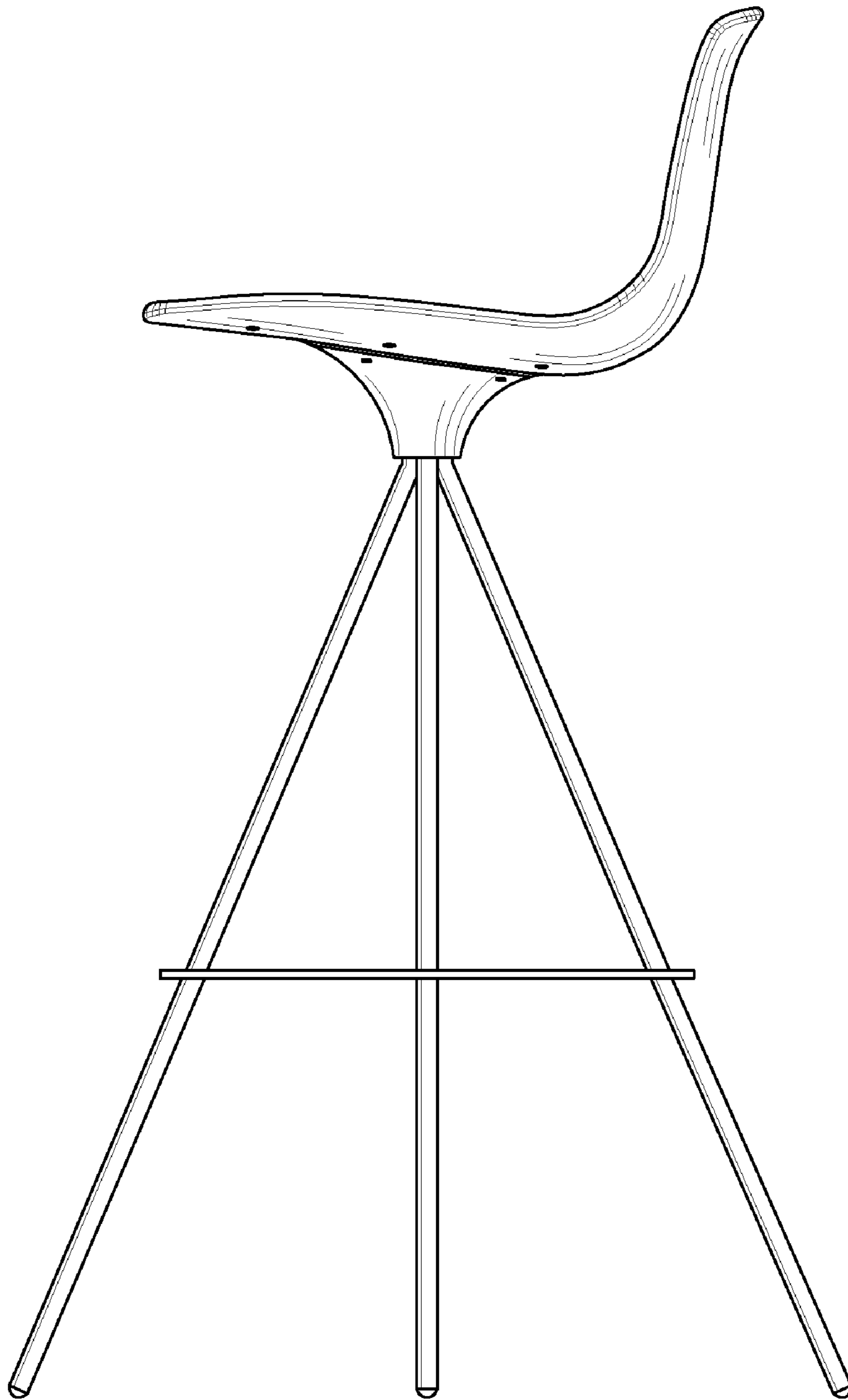


FIG. 6

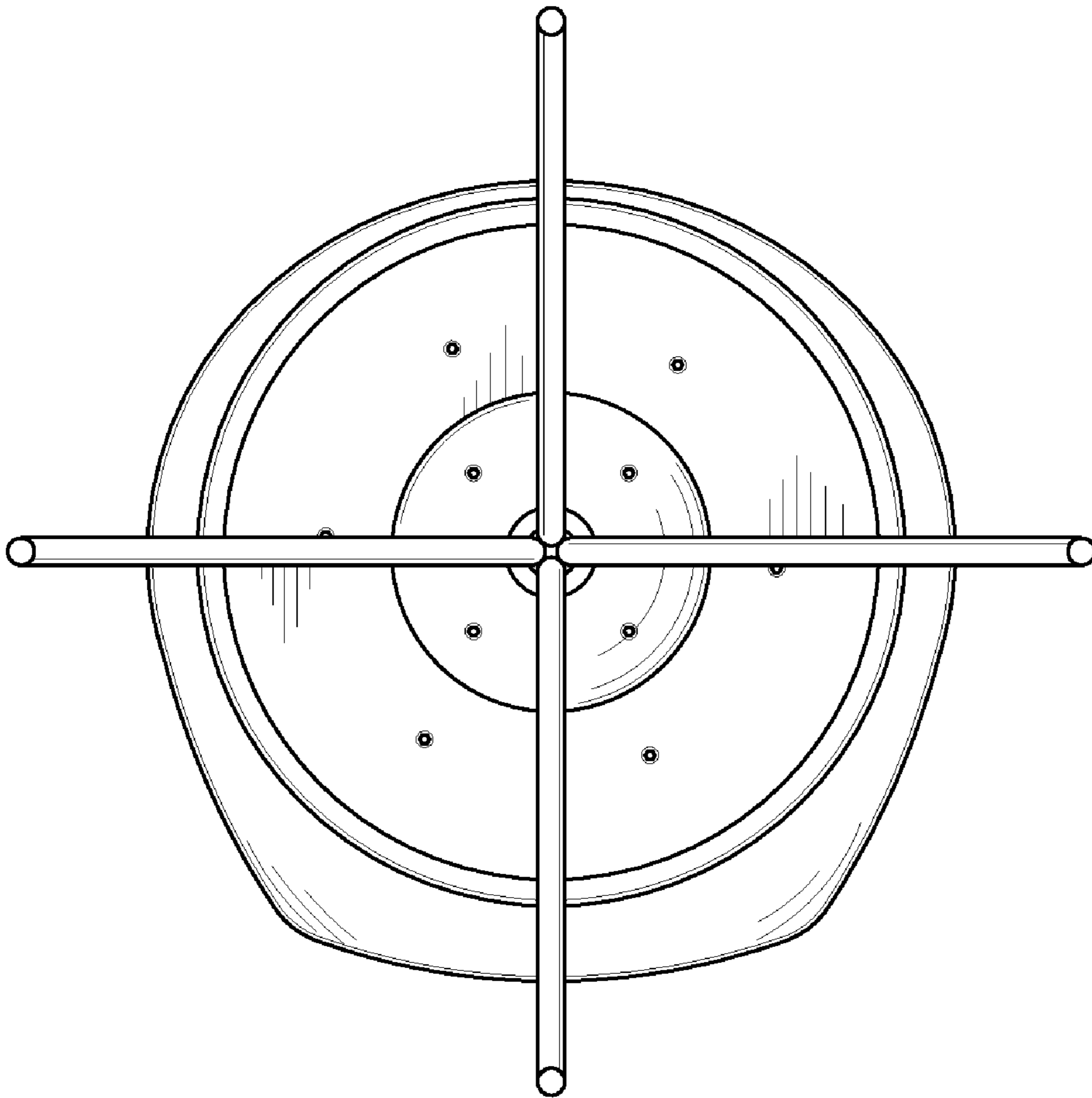


FIG. 7