



US00D592869S

(12) **United States Design Patent**
Siomades

(10) **Patent No.:** **US D592,869 S**

(45) **Date of Patent:** **** May 26, 2009**

(54) **BIRD CHAIR**

(76) **Inventor:** **Lorianne Siomades**, 6091 Rain Dance Trail, Littleton, CO (US) 80125

(**) **Term:** **14 Years**

(21) **Appl. No.:** **29/326,522**

(22) **Filed:** **Oct. 20, 2008**

(51) **LOC (9) Cl.** **06-01**

(52) **U.S. Cl.** **D6/359**

(58) **Field of Classification Search** D6/333-335, D6/339, 345, 349, 351, 352, 358, 359, 363, D6/374, 379, 380, 435, 500-502; 297/181, 297/423.39, 432.41, 445.1, 446.1, 451.2; D4/125; D10/34; D14/189; D21/493, 521, D21/592, 650, 606, 832

See application file for complete search history.

(56) **References Cited**

U.S. PATENT DOCUMENTS

- D67,980 S * 8/1925 Witten D21/606
- D146,611 S * 4/1947 Mellick D6/435
- D223,613 S * 5/1972 Meth D21/606
- D228,219 S * 8/1973 Snyder D21/606
- D232,456 S * 8/1974 Wormser D21/832
- D262,245 S 12/1981 Kane
- D265,440 S * 7/1982 Orenstein D6/359
- D289,501 S 4/1987 Sandy
- D305,136 S 12/1989 Blasiman
- D326,368 S 5/1992 Vilmar-Matthews
- D336,789 S * 6/1993 Yang D6/359
- D340,359 S 10/1993 Caldwell
- D341,862 S * 11/1993 Miuccio D21/606
- D343,302 S 1/1994 Caldwell
- D351,952 S 11/1994 Weiss
- D356,739 S 3/1995 Ju
- D373,909 S * 9/1996 Loader D6/359
- D387,103 S * 12/1997 Nielsen et al. D21/606

- D391,323 S * 2/1998 Nielsen et al. D21/606
- D426,974 S 6/2000 Lin
- D429,632 S 8/2000 Del Bon
- D434,917 S 12/2000 Yang
- D440,415 S * 4/2001 Bellini D6/349
- D465,346 S 11/2002 Lin

OTHER PUBLICATIONS

- U.S. Appl. No. 29/326,518, filed Oct. 20, 2008.
- U.S. Appl. No. 29/326,520, filed Oct. 20, 2008.
- U.S. Appl. No. 29/326,525, filed Oct. 20, 2008.
- U.S. Appl. No. 29/326,526, filed Oct. 20, 2008.
- U.S. Appl. No. 29/326,528, filed Oct. 20, 2008.

* cited by examiner

Primary Examiner—Mimosa De
(74) *Attorney, Agent, or Firm*—Sheridan Ross P.C.

(57) **CLAIM**

The ornamental design for a bird chair, as shown and described.

DESCRIPTION

FIG. 1 is a front perspective view of the bird chair, showing my new design;

FIG. 2 is a top plan view of the invention illustrated in FIG. 1;

FIG. 3 is a front elevation view of the invention illustrated in FIG. 1;

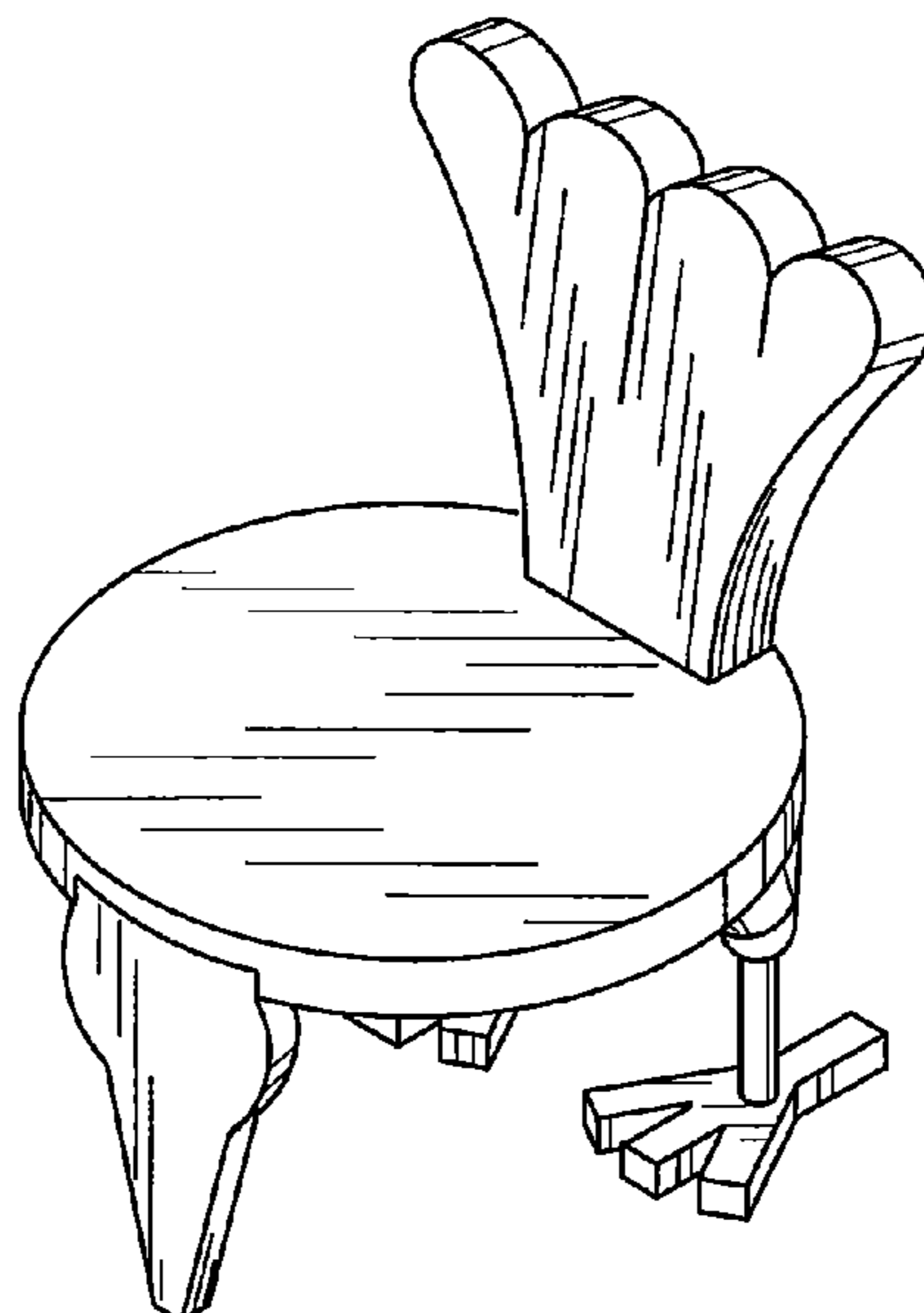
FIG. 4 is a left side elevation view of the invention illustrated in FIG. 1;

FIG. 5 is a rear elevation view of the invention illustrated in FIG. 1;

FIG. 6 is a right side elevation view of the invention illustrated in FIG. 1; and,

FIG. 7 is a bottom plan view of the invention illustrated in FIG. 1.

1 Claim, 2 Drawing Sheets



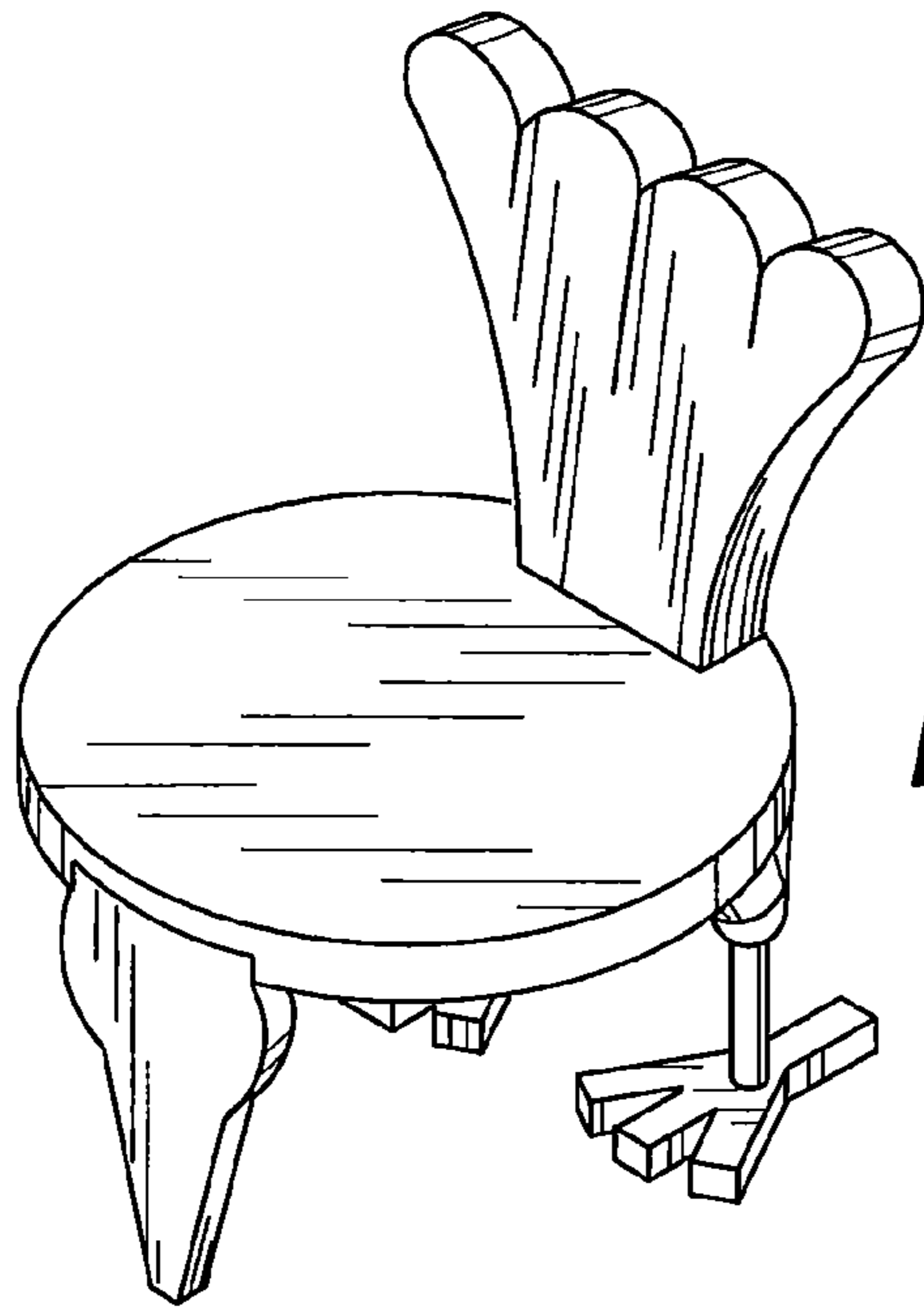


Fig. 1

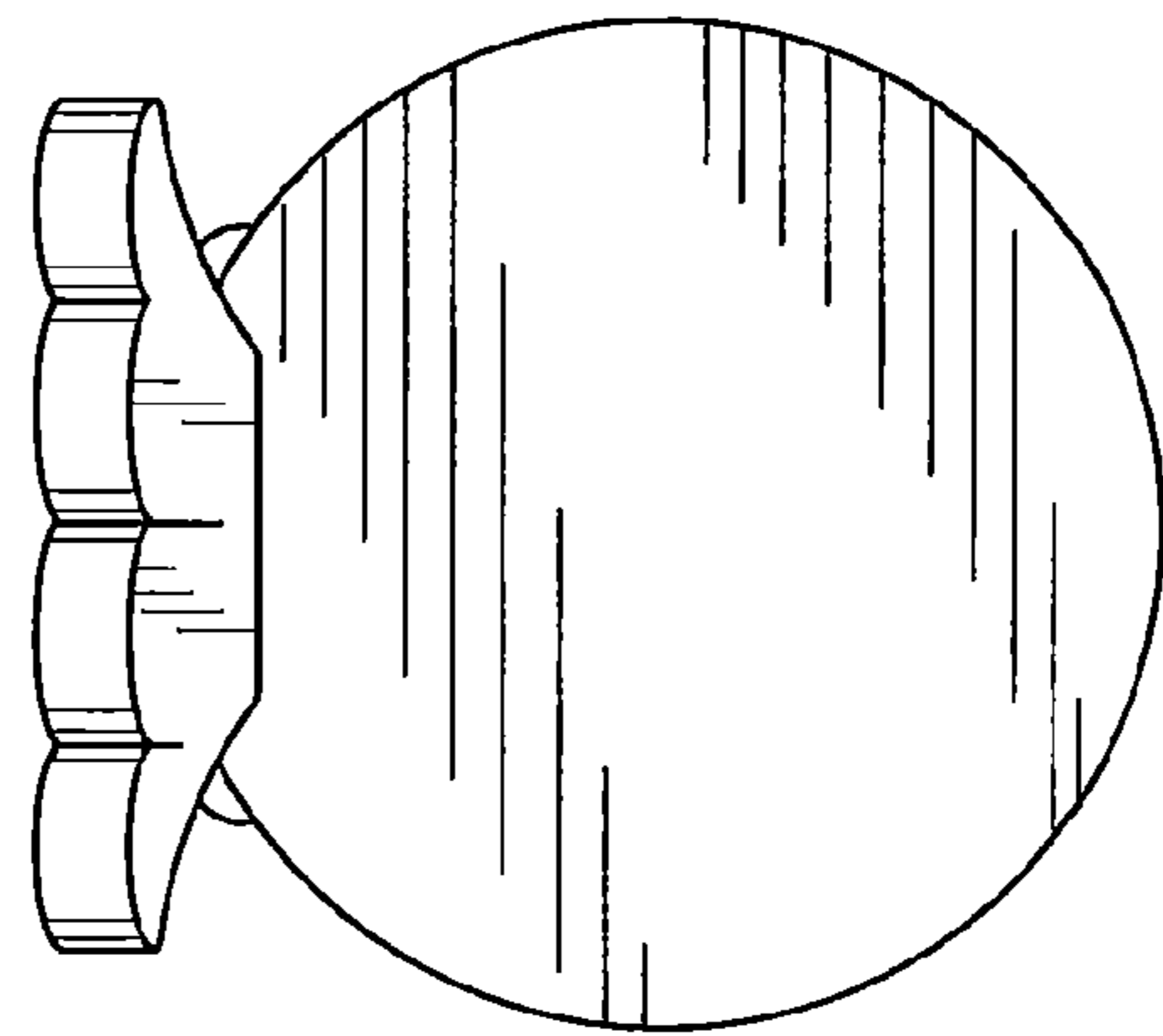


Fig. 2

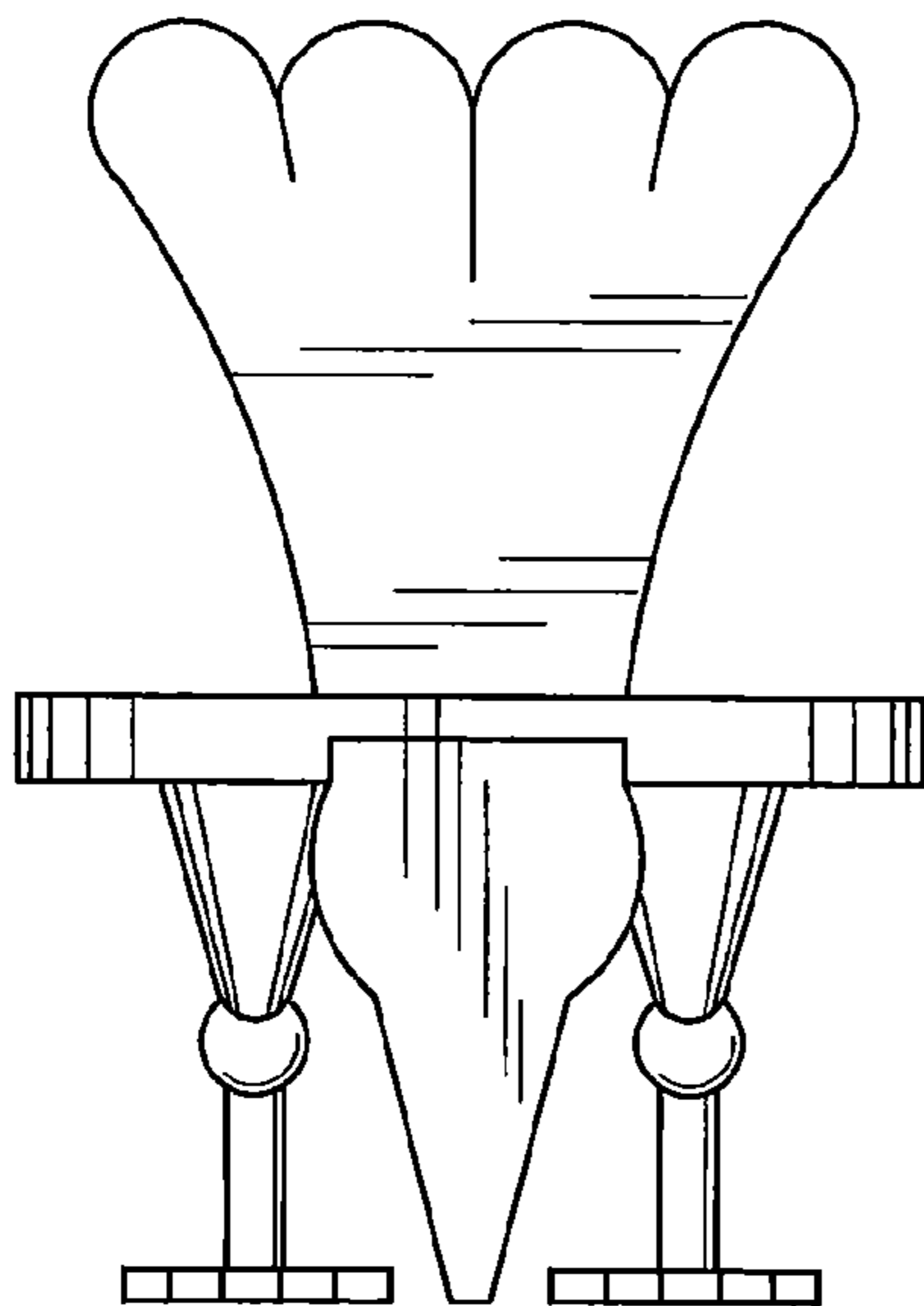


Fig. 3

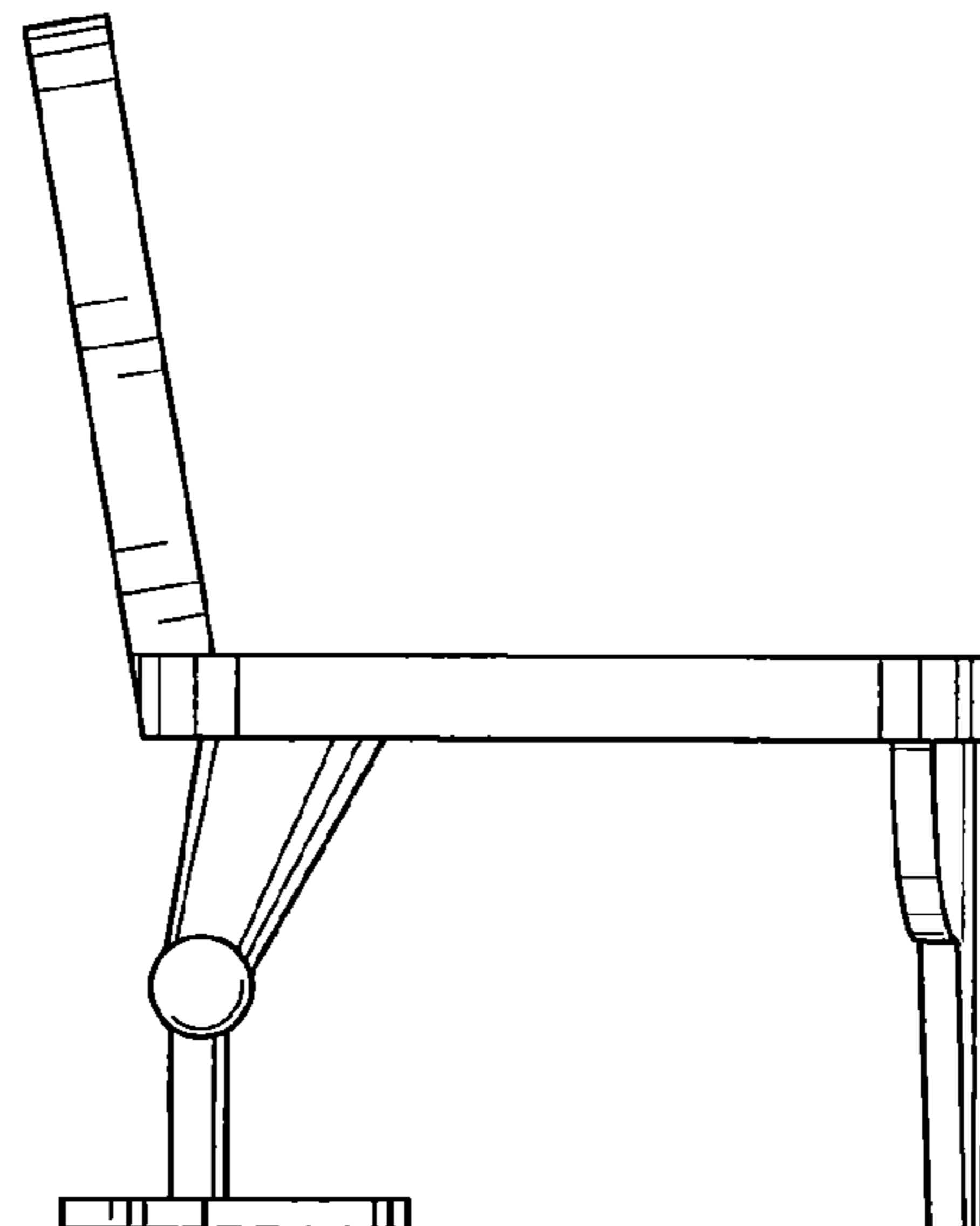


Fig. 4

Fig. 5

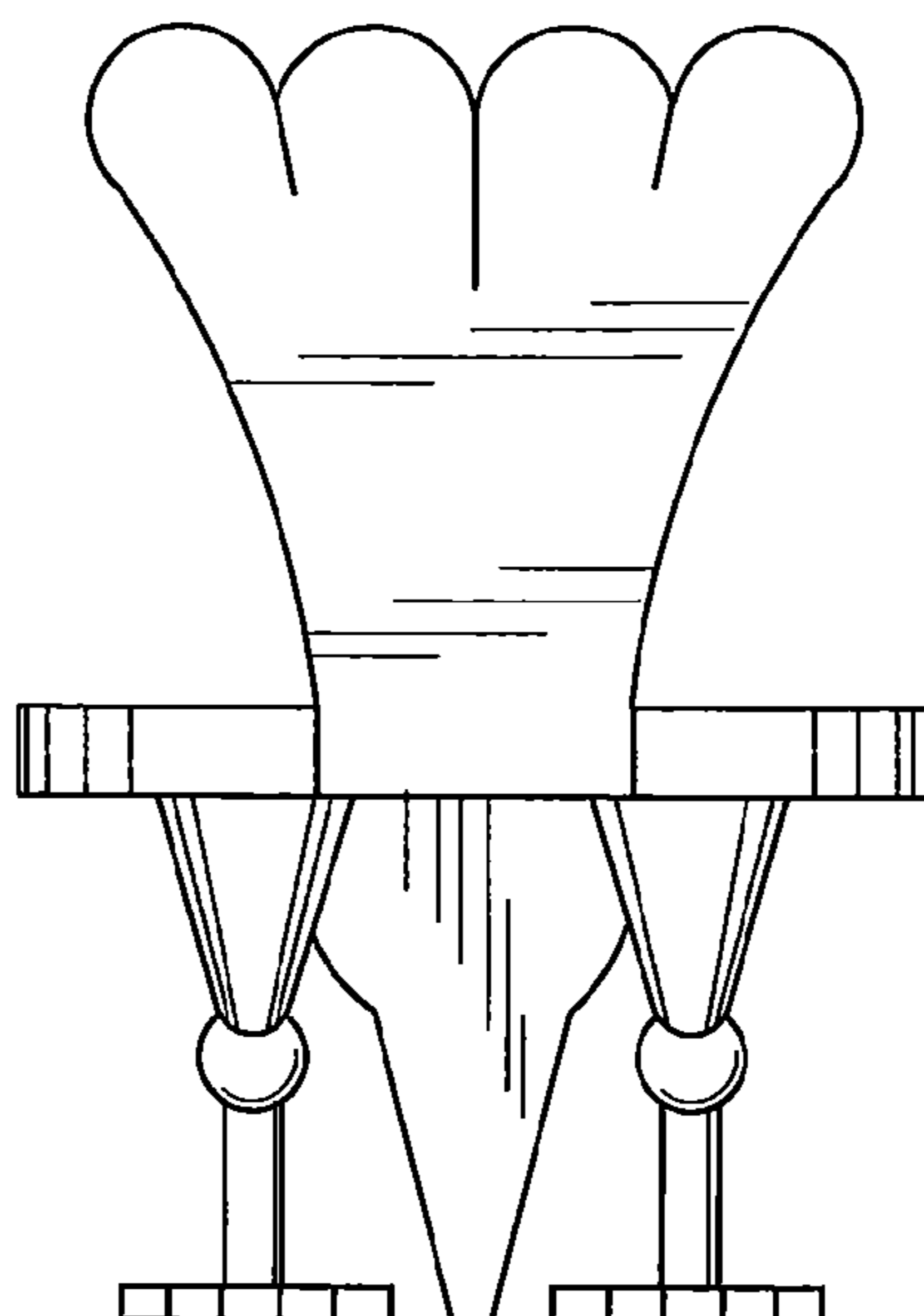


Fig. 6

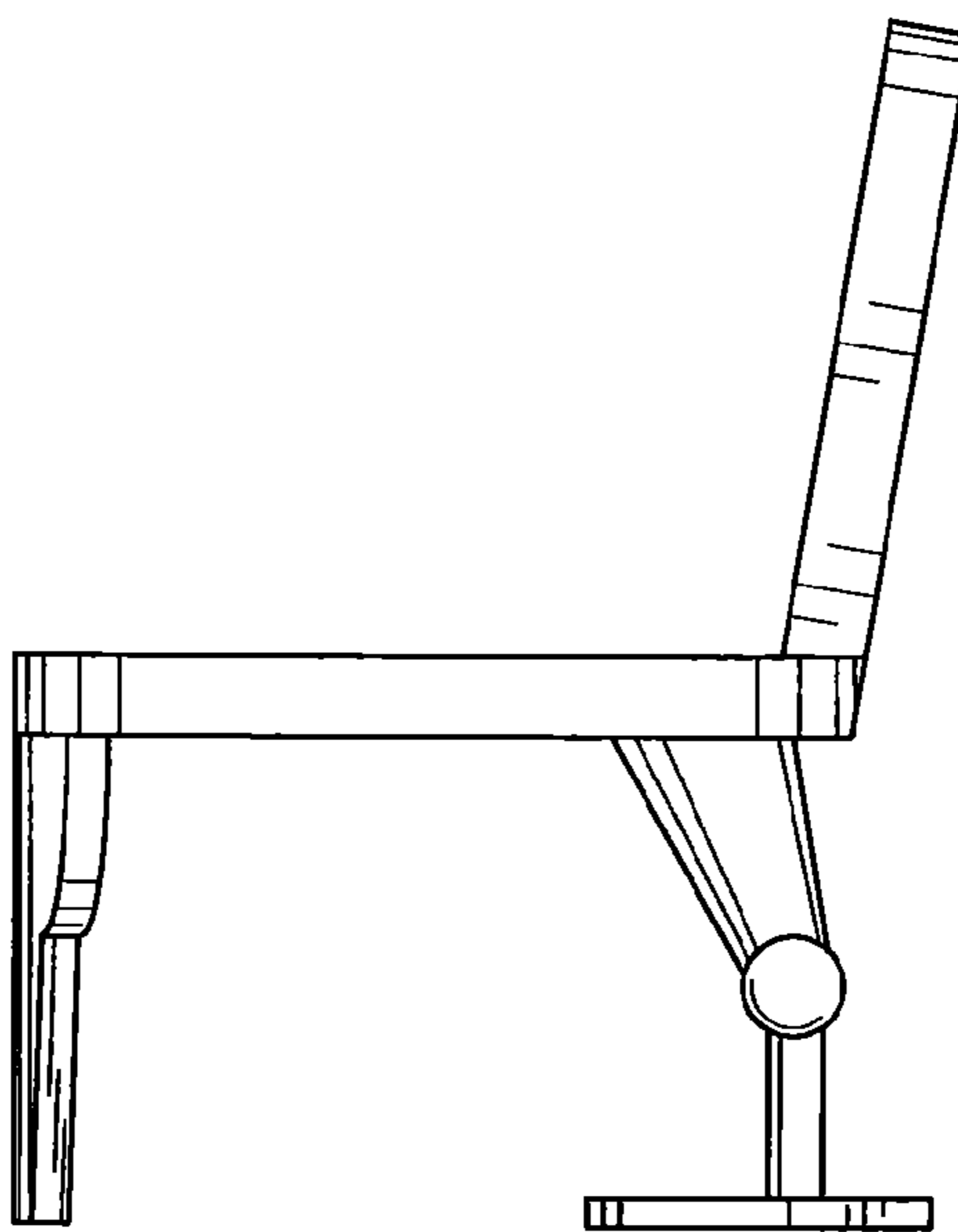


Fig. 7

