

US00D592868S

(12) **United States Design Patent**  
**Siomades**

(10) **Patent No.:** **US D592,868 S**

(45) **Date of Patent:** **\*\* May 26, 2009**

(54) **BUG CHAIR**

(76) Inventor: **Lorianne Siomades**, 6091 Rain Dance Trail, Littleton, CO (US) 80125

(\*\*) Term: **14 Years**

(21) Appl. No.: **29/326,518**

(22) Filed: **Oct. 20, 2008**

(51) **LOC (9) Cl.** ..... **06-01**

(52) **U.S. Cl.** ..... **D6/359**

(58) **Field of Classification Search** ..... D6/333–335, D6/339, 345, 349, 351, 352, 358, 359, 374, D6/379, 380, 435, 500–502; 297/181, 423.39, 297/432.41, 445.1, 446.1; D4/125; D10/34; D14/189; D21/493, 521, 592, 650  
See application file for complete search history.

(56) **References Cited**

**U.S. PATENT DOCUMENTS**

- D165,563 S \* 12/1951 Turnbull ..... D6/351
- D184,812 S \* 4/1959 Harris ..... D6/359
- D244,326 S \* 5/1977 Taylor ..... D6/359
- D262,245 S 12/1981 Kane
- D262,500 S \* 1/1982 Rocchia ..... D6/351
- D289,501 S 4/1987 Sandy
- D299,731 S \* 2/1989 Vetter ..... D21/650
- D305,136 S 12/1989 Blasiman
- D320,053 S \* 9/1991 Klawitter ..... D21/592
- D325,231 S \* 4/1992 Reynolds ..... D21/650
- D326,368 S 5/1992 Vilmar-Matthews
- D327,926 S \* 7/1992 Carr ..... D21/650
- D336,789 S \* 6/1993 Yang ..... D6/359
- D340,359 S 10/1993 Caldwell
- D343,302 S 1/1994 Caldwell
- D351,952 S 11/1994 Weiss
- D356,739 S 3/1995 Ju
- D369,915 S \* 5/1996 Loader ..... D6/359
- D413,150 S \* 8/1999 Frederiksen ..... D21/493
- D416,591 S \* 11/1999 Frederiksen ..... D21/493
- D426,596 S \* 6/2000 Polk ..... D21/650
- D426,974 S 6/2000 Lin

- D429,632 S 8/2000 Del Bon
- D434,917 S 12/2000 Yang
- D440,058 S \* 4/2001 Owens et al. .... D6/349
- D440,415 S \* 4/2001 Bellini ..... D6/349
- D441,667 S \* 5/2001 Glenn, III ..... D10/34
- D465,346 S 11/2002 Lin
- D506,082 S \* 6/2005 Foy ..... D6/352
- D533,366 S \* 12/2006 Wehner ..... D6/359
- D585,421 S \* 1/2009 Petersen ..... D14/189

**OTHER PUBLICATIONS**

- U.S. Appl. No. 29/326,520, filed Oct. 20, 2008, Siomades.
- U.S. Appl. No. 29/326,522, filed Oct. 20, 2008, Siomades.
- U.S. Appl. No. 29/326,525, filed Oct. 20, 2008, Siomades.
- U.S. Appl. No. 29/326,526, filed Oct. 20, 2008, Siomades.
- U.S. Appl. No. 29/326,528, filed Oct. 20, 2008, Siomades.

\* cited by examiner

*Primary Examiner*—Mimosa De  
(74) *Attorney, Agent, or Firm*—Sheridan Ross P.C.

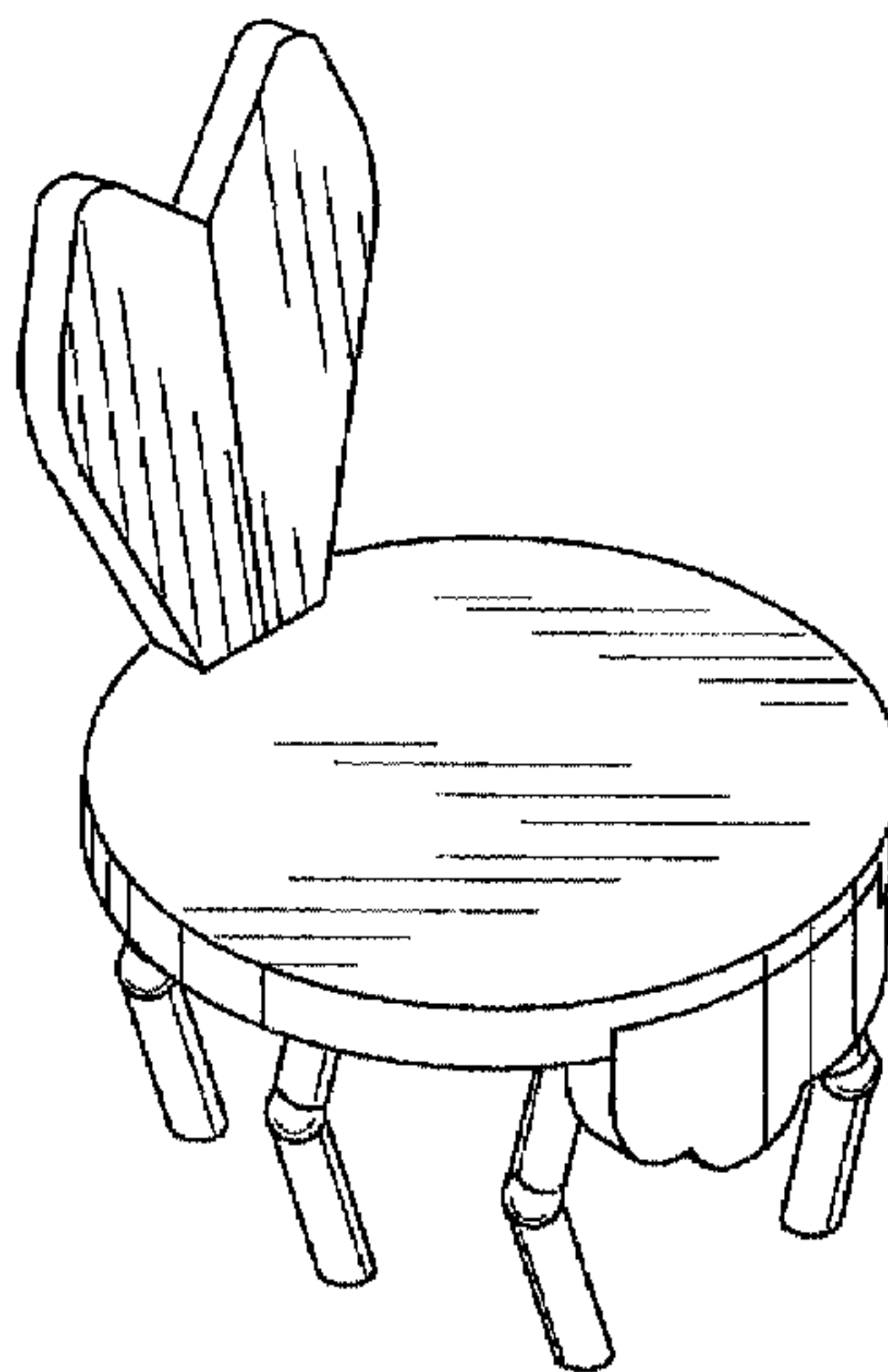
(57) **CLAIM**

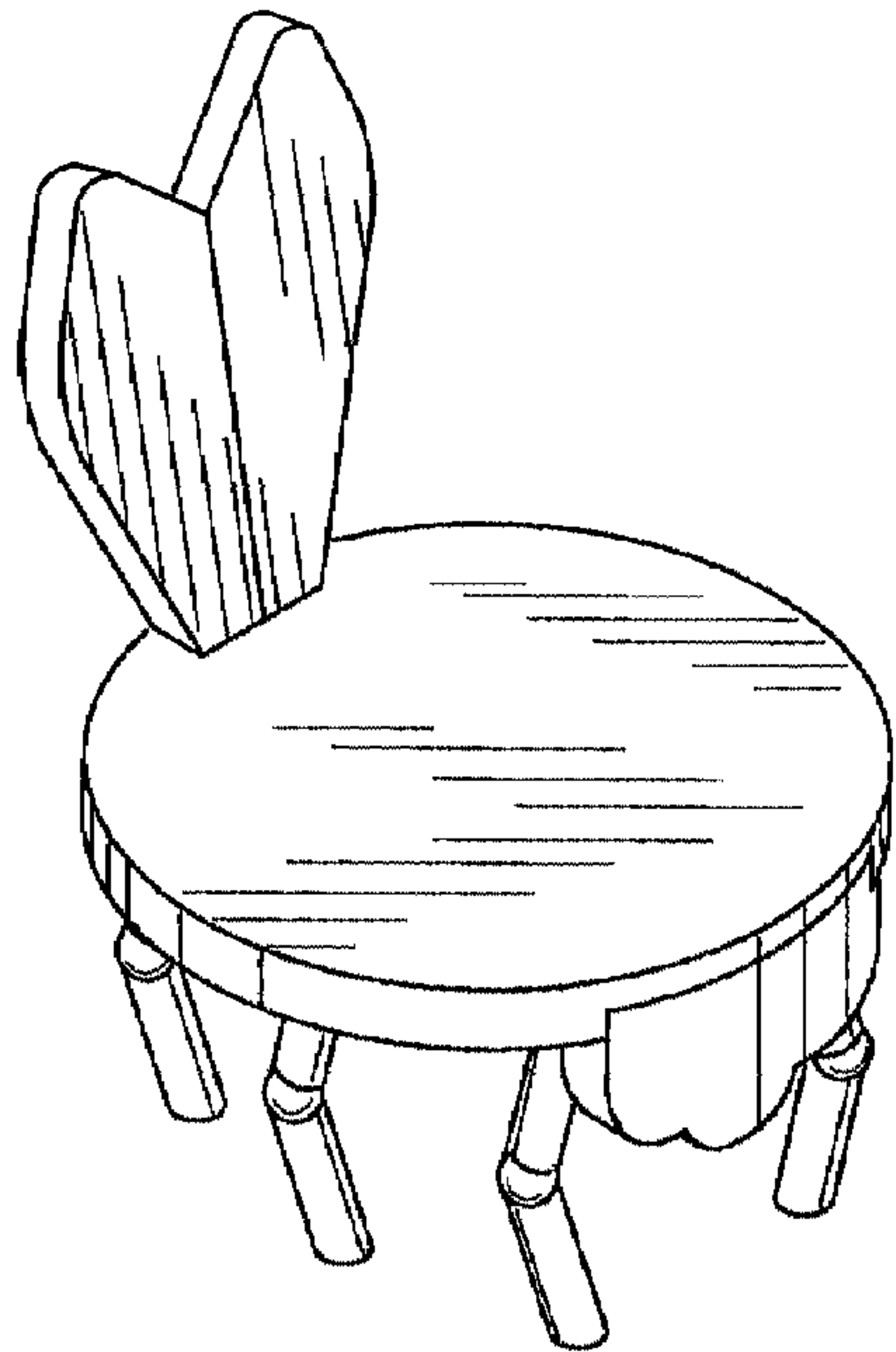
The ornamental design for a bug chair, as shown and described.

**DESCRIPTION**

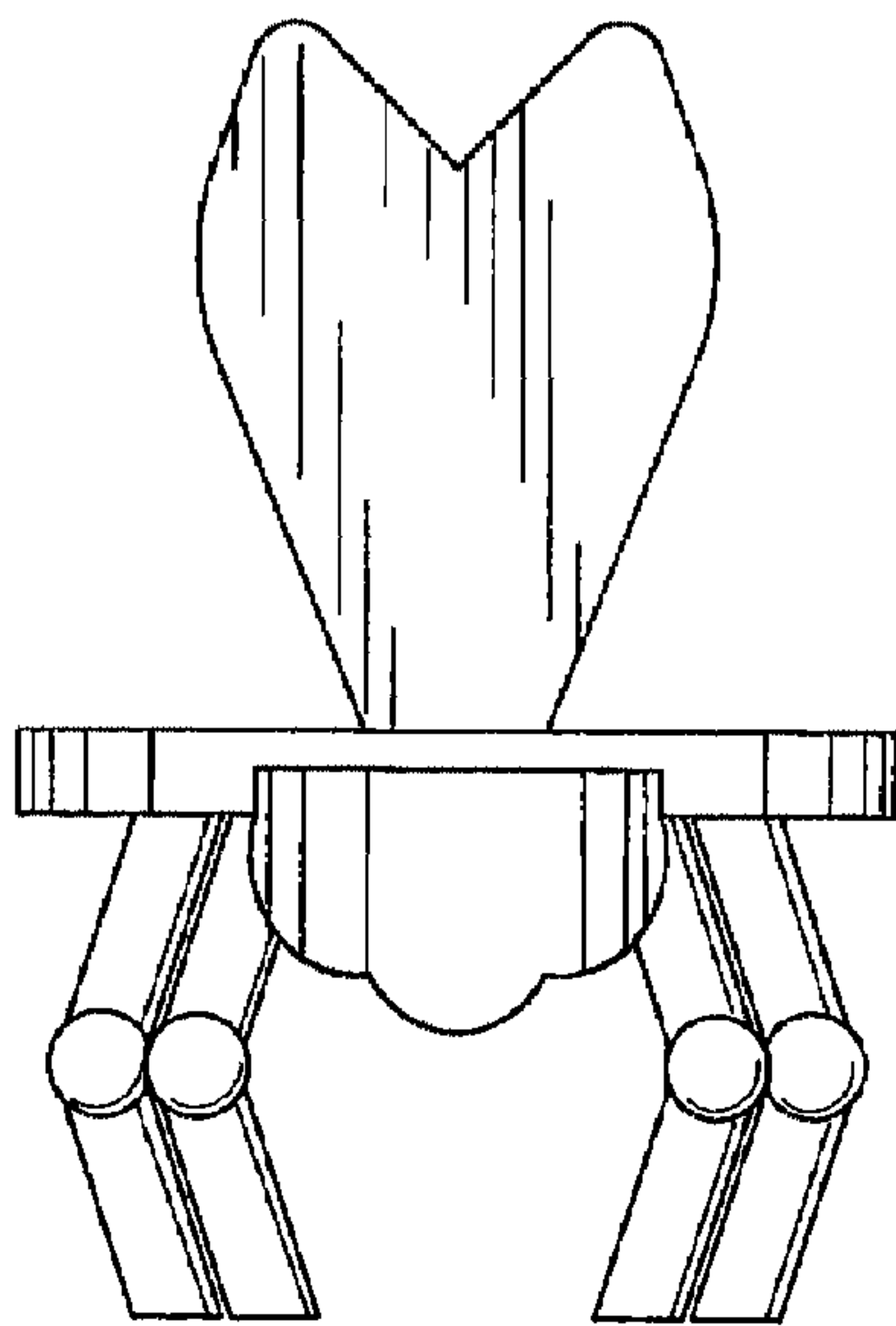
- FIG. 1 is a front perspective view of the bug chair, showing my new design;
- FIG. 2 is a front elevation view of the invention illustrated in FIG. 1;
- FIG. 3 is a left side elevation view of the invention illustrated in FIG. 1;
- FIG. 4 is a top plan view of the invention illustrated in FIG. 1;
- FIG. 5 is a rear elevation view of the invention illustrated in FIG. 1;
- FIG. 6 is a right side elevation view of the invention illustrated in FIG. 1; and,
- FIG. 7 is a bottom plan view of the invention illustrated in FIG. 1.

**1 Claim, 2 Drawing Sheets**

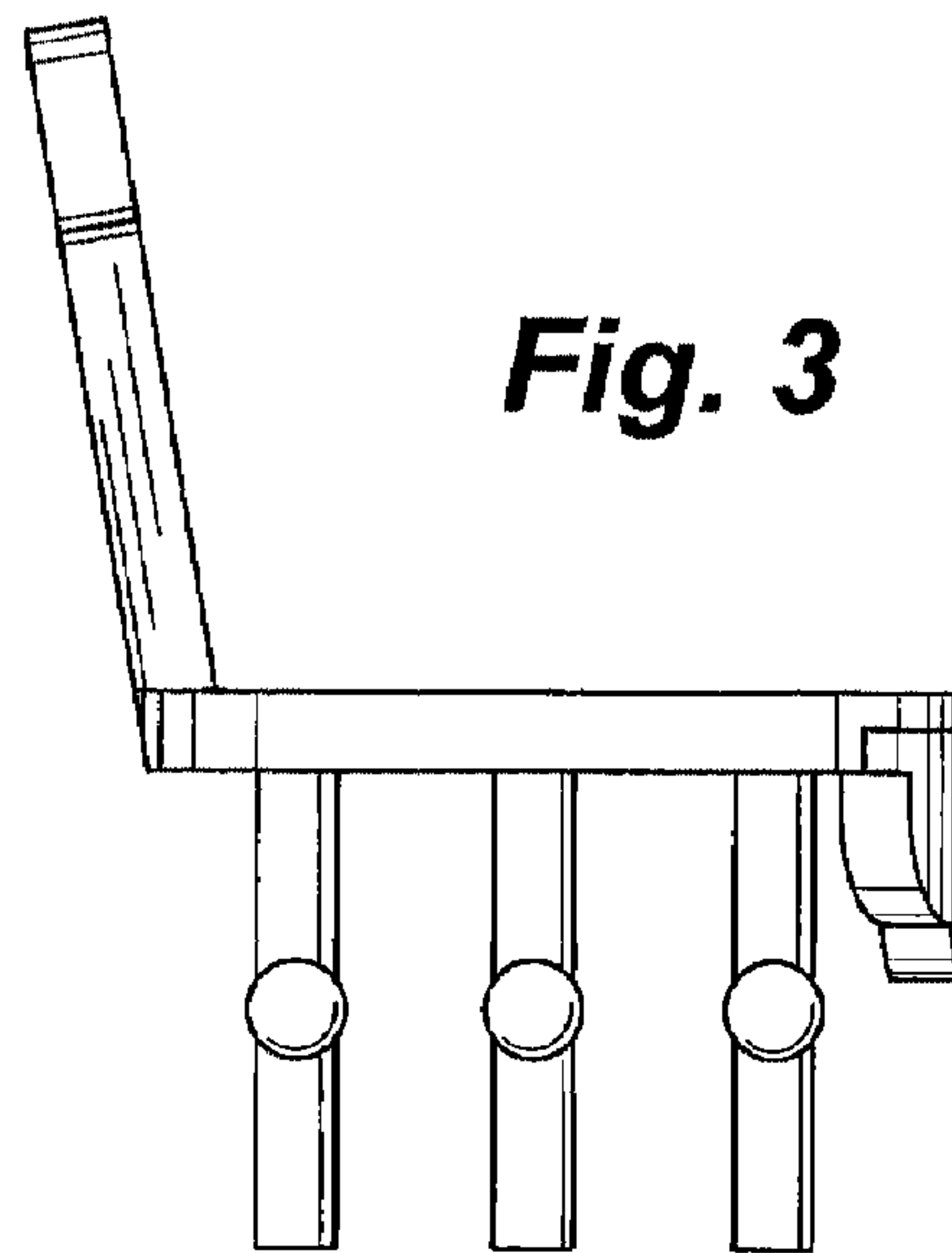




**Fig. 1**

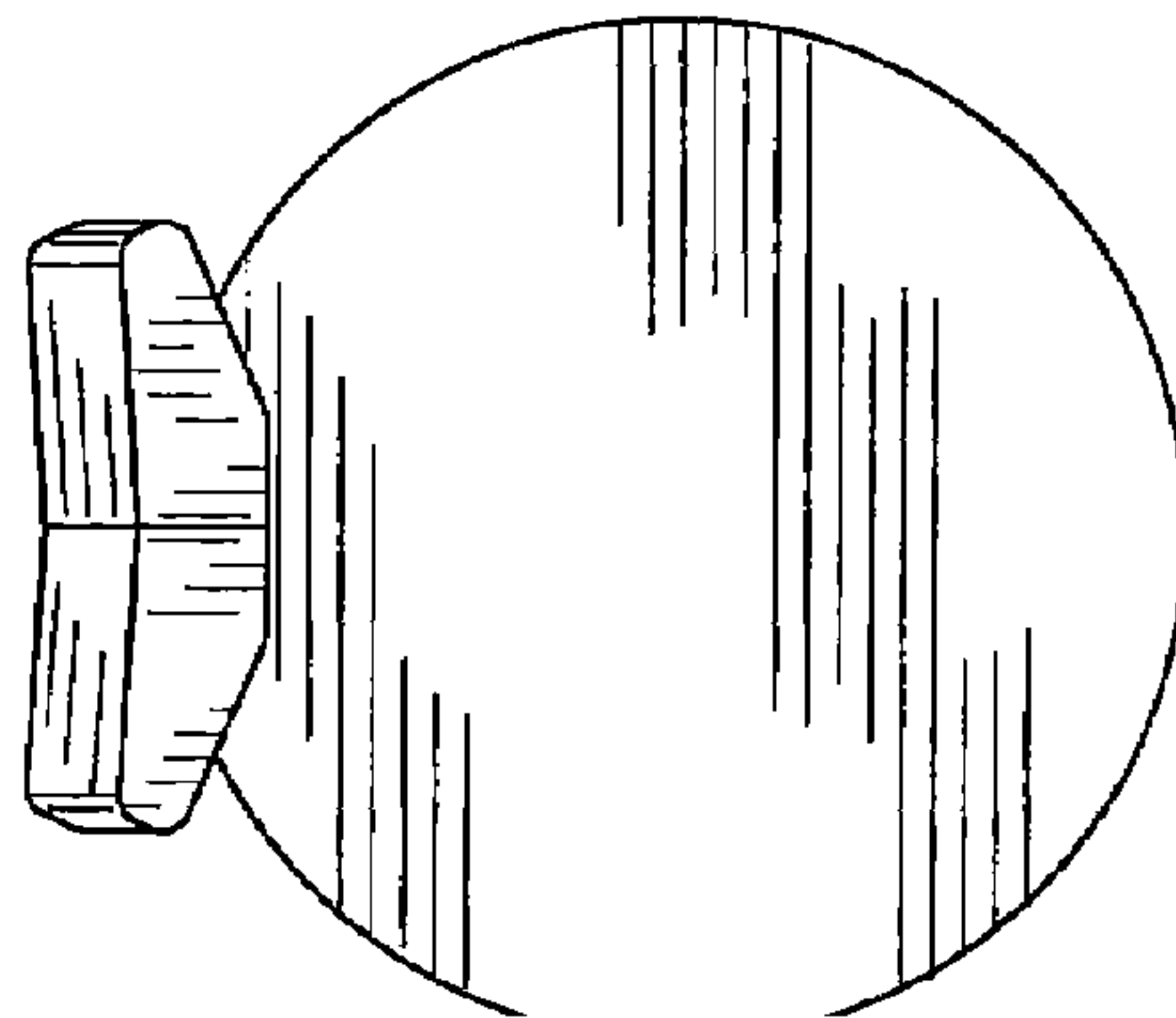


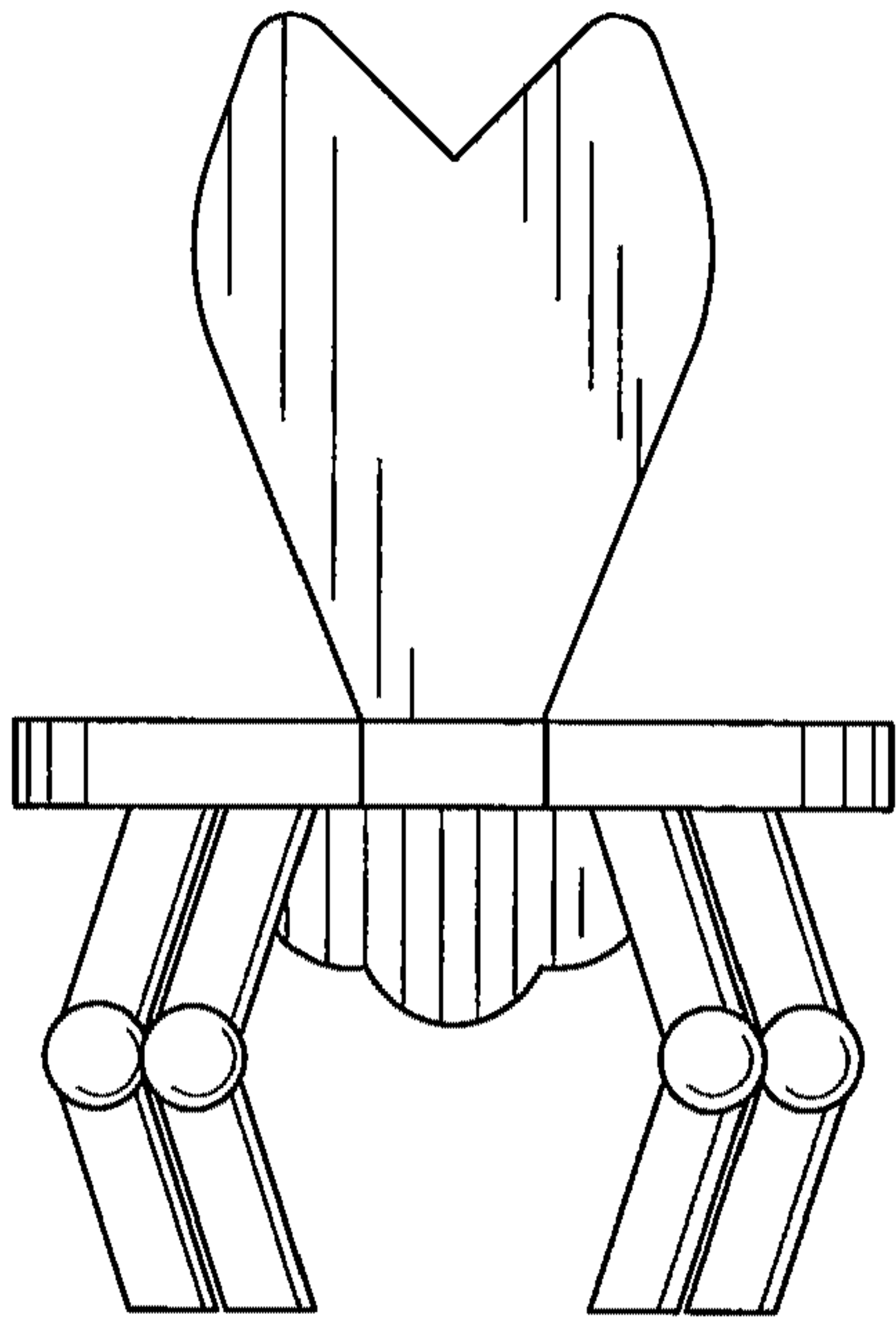
**Fig. 2**



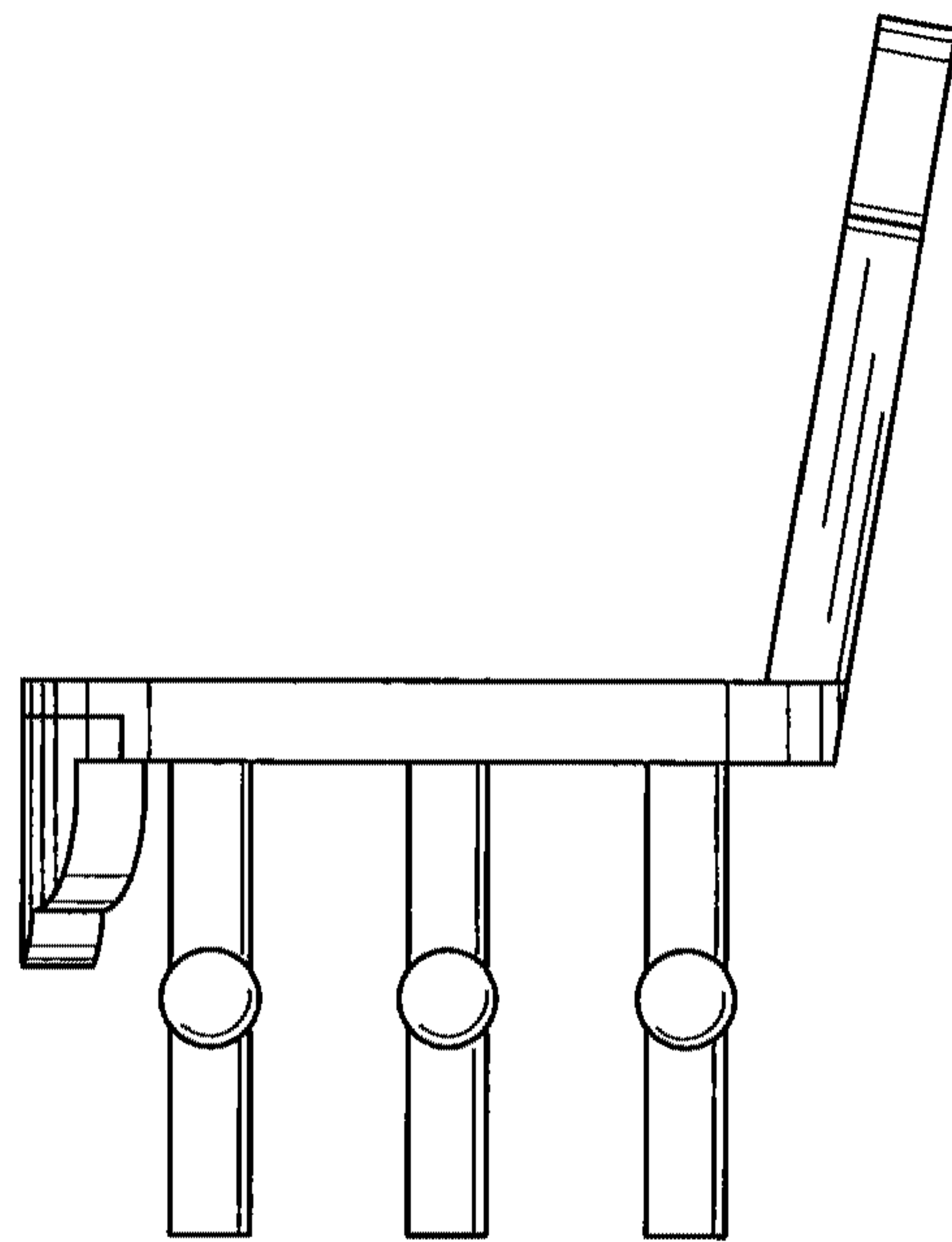
**Fig. 3**

**Fig. 4**

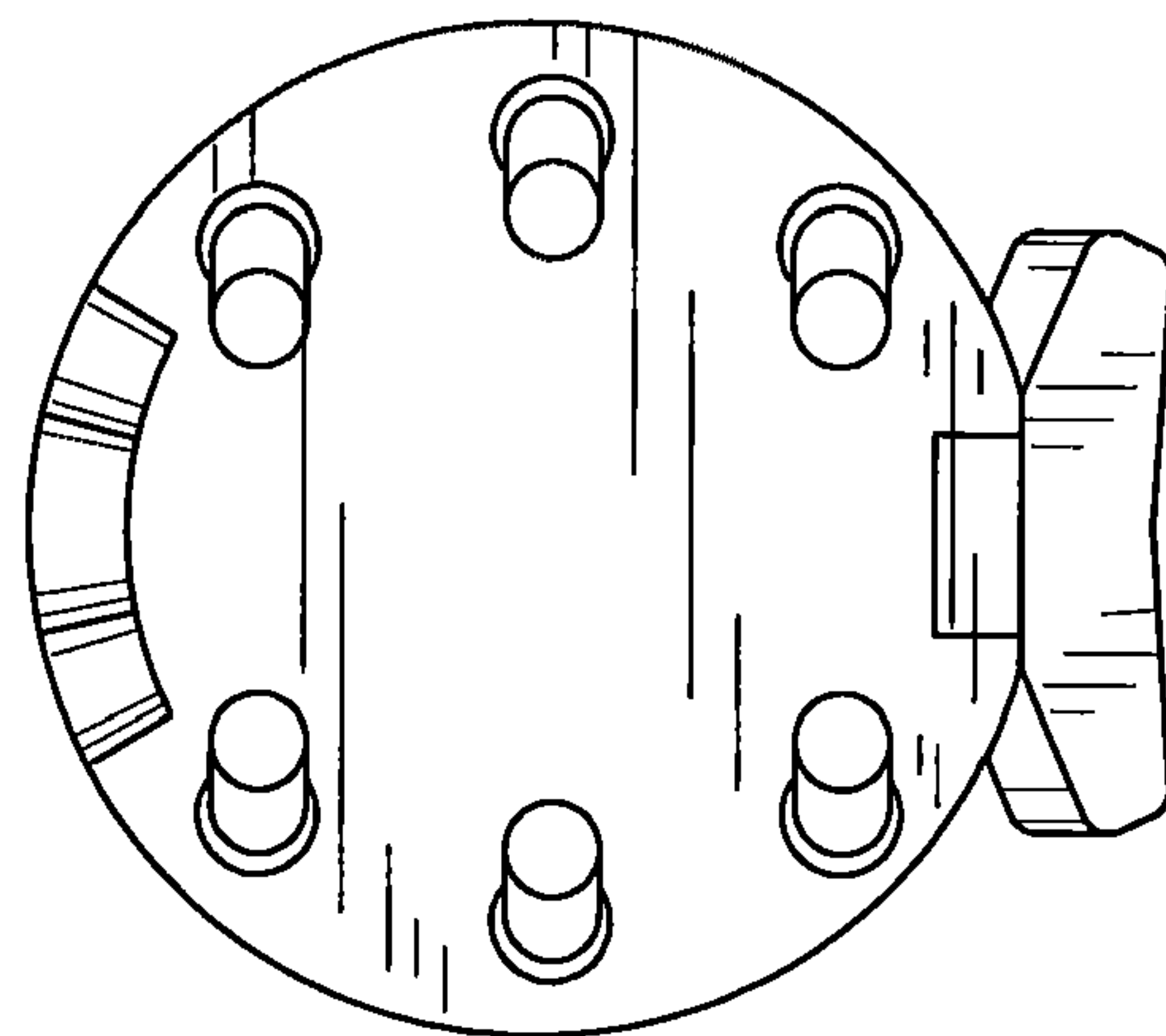




**Fig. 5**



**Fig. 6**



**Fig. 7**