



US00D592866S

(12) **United States Design Patent**
Siomades

(10) **Patent No.:** **US D592,866 S**

(45) **Date of Patent:** **** May 26, 2009**

(54) **BEE STOOL**

D434,917 S 12/2000 Yang
D465,346 S 11/2002 Lin

(76) Inventor: **Lorianne Siomades**, 6091 Rain Dance Trail, Littleton, CO (US) 80125

(**) Term: **14 Years**

(21) Appl. No.: **29/326,520**

(22) Filed: **Oct. 20, 2008**

(51) **LOC (9) Cl.** **06-01**

(52) **U.S. Cl.** **D6/351**

(58) **Field of Classification Search** D6/330,
D6/335-338, 340, 349-355, 358, 359, 364,
D6/366, 376, 491, 495, 500-502; 297/16.1,
297/39, 46, 135, 140, 156, 158.3, 158.4,
297/175, 177, 187, 195.1, 195.11, 211, 245,
297/423.1, 423.16, 445.1, 461, 462

See application file for complete search history.

(56) **References Cited**

U.S. PATENT DOCUMENTS

D170,471 S * 9/1953 Meagher D6/335
D193,241 S * 7/1962 Goldman et al. D6/335
D262,245 S 12/1981 Kane
D289,501 S 4/1987 Sandy
D305,136 S 12/1989 Blasiman
D326,368 S 5/1992 Vilmar-Matthews
D340,359 S 10/1993 Caldwell
D343,302 S 1/1994 Caldwell
D351,952 S 11/1994 Weiss
D354,175 S * 1/1995 Fein D6/358
D356,739 S 3/1995 Ju
D426,974 S 6/2000 Lin
D429,632 S 8/2000 Del Bon

OTHER PUBLICATIONS

U.S. Appl. No. 29/326,518, filed Oct. 20, 2008, Siomades.
U.S. Appl. No. 29/326,522, filed Oct. 20, 2008, Siomades.
U.S. Appl. No. 29/326,525, filed Oct. 20, 2008, Siomades.
U.S. Appl. No. 29/326,526, filed Oct. 20, 2008, Siomades.
U.S. Appl. No. 29/326,528, filed Oct. 20, 2008, Siomades.

* cited by examiner

Primary Examiner—Sandra Snapp

(74) *Attorney, Agent, or Firm*—Sheridan Ross P.C.

(57) **CLAIM**

The ornamental design for a bee stool, as shown and described.

DESCRIPTION

FIG. 1 is a front perspective view of the bee stool, showing my new design;

FIG. 2 is a top plan view of the invention illustrated in FIG. 1;

FIG. 3 is a left side elevation view of the invention illustrated in FIG. 1;

FIG. 4 is a front elevation view of the invention illustrated in FIG. 1;

FIG. 5 is a right side elevation view of the invention illustrated in FIG. 1;

FIG. 6 is a rear elevation view of the invention illustrated in FIG. 1; and,

FIG. 7 is a bottom plan view of the invention illustrated in FIG. 1.

1 Claim, 2 Drawing Sheets

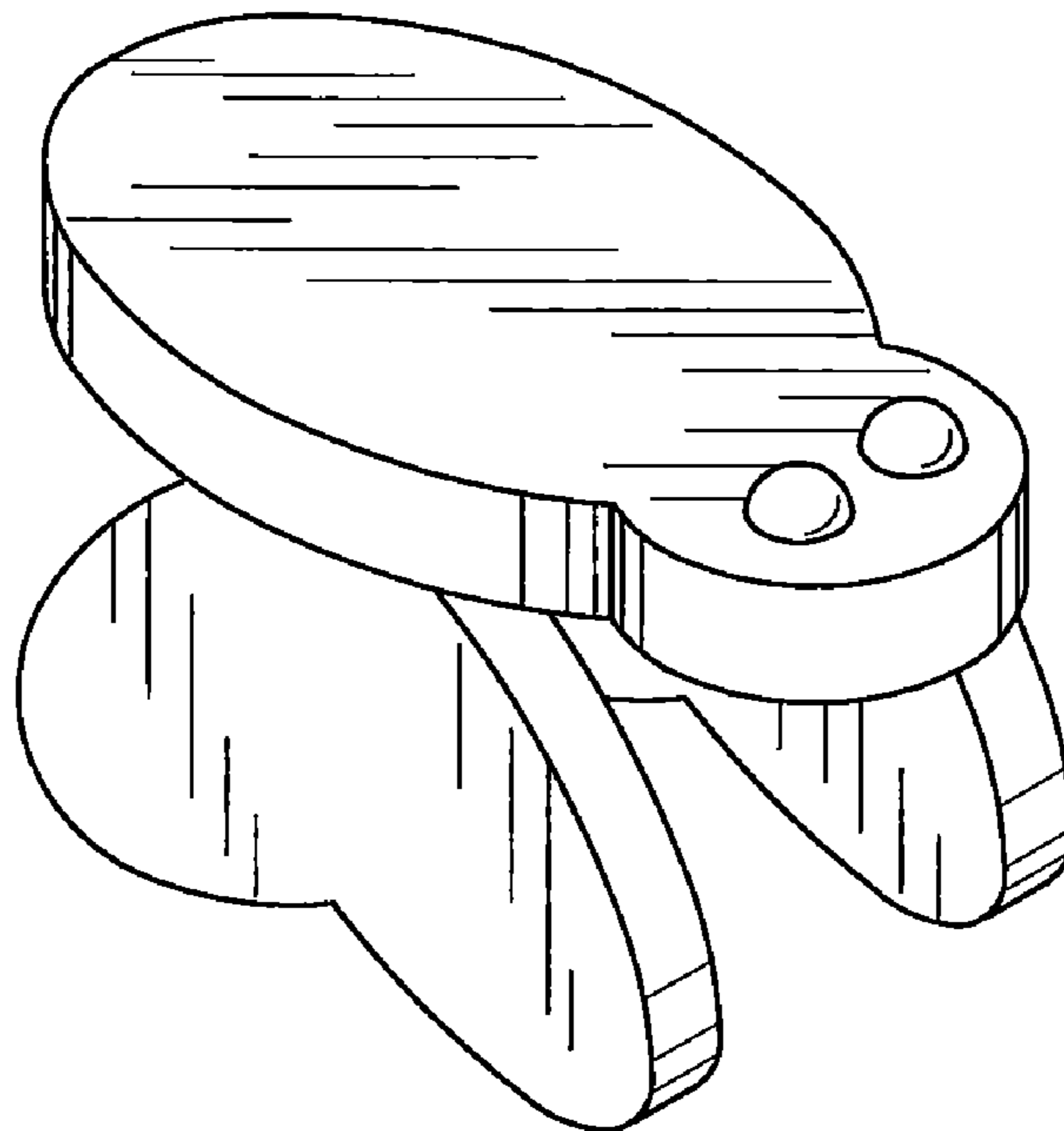


Fig. 1

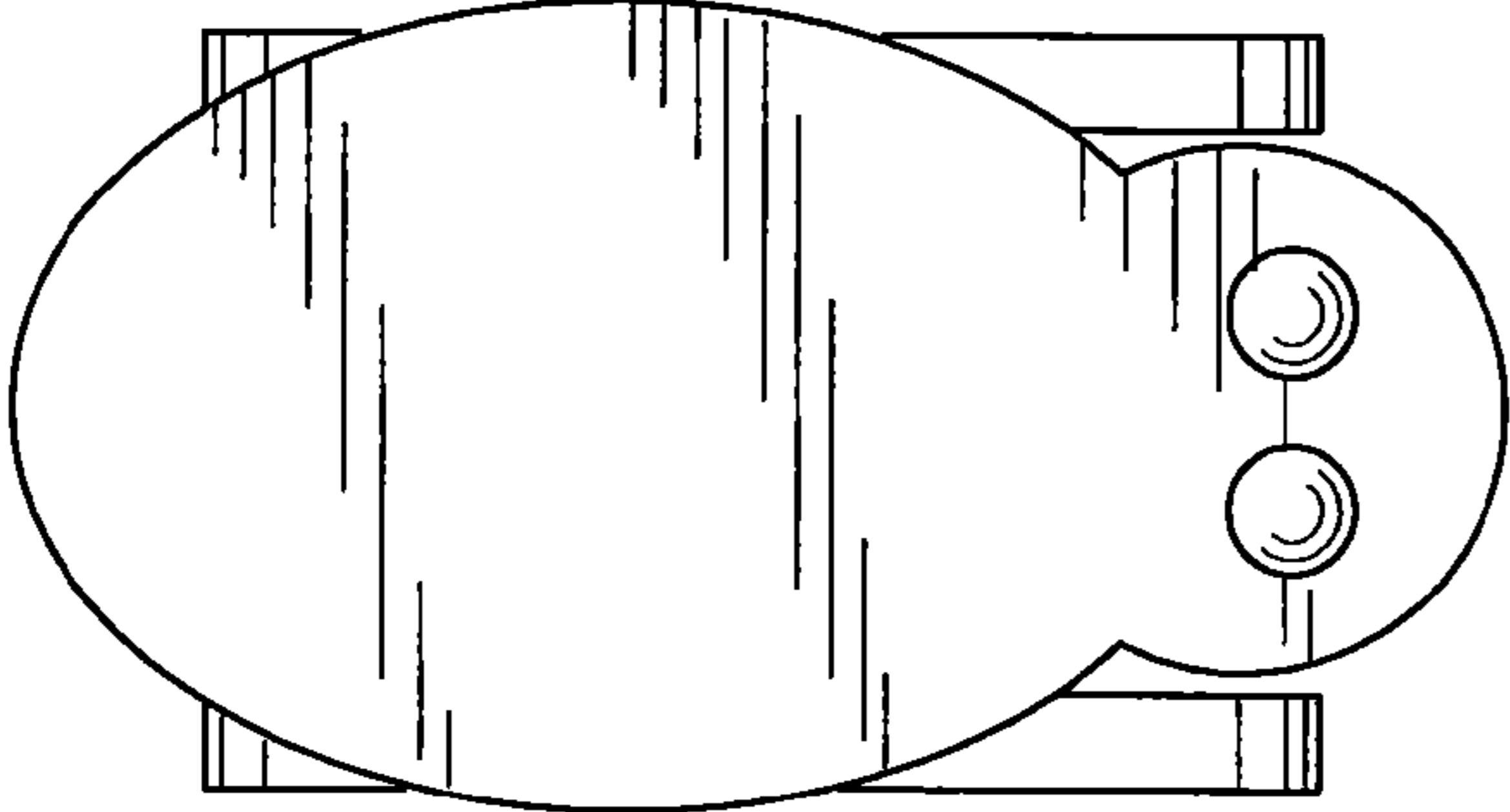
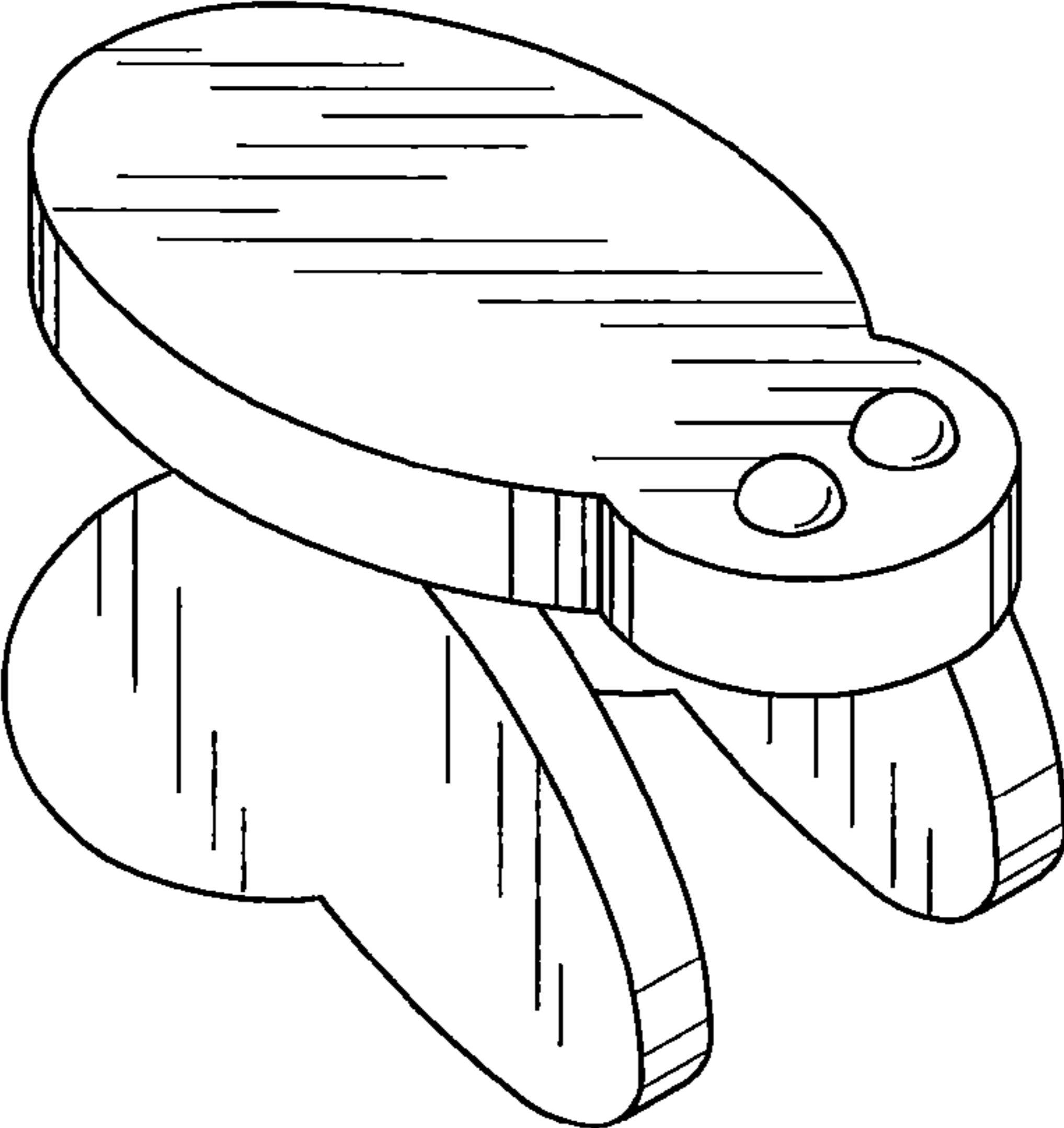


Fig. 2

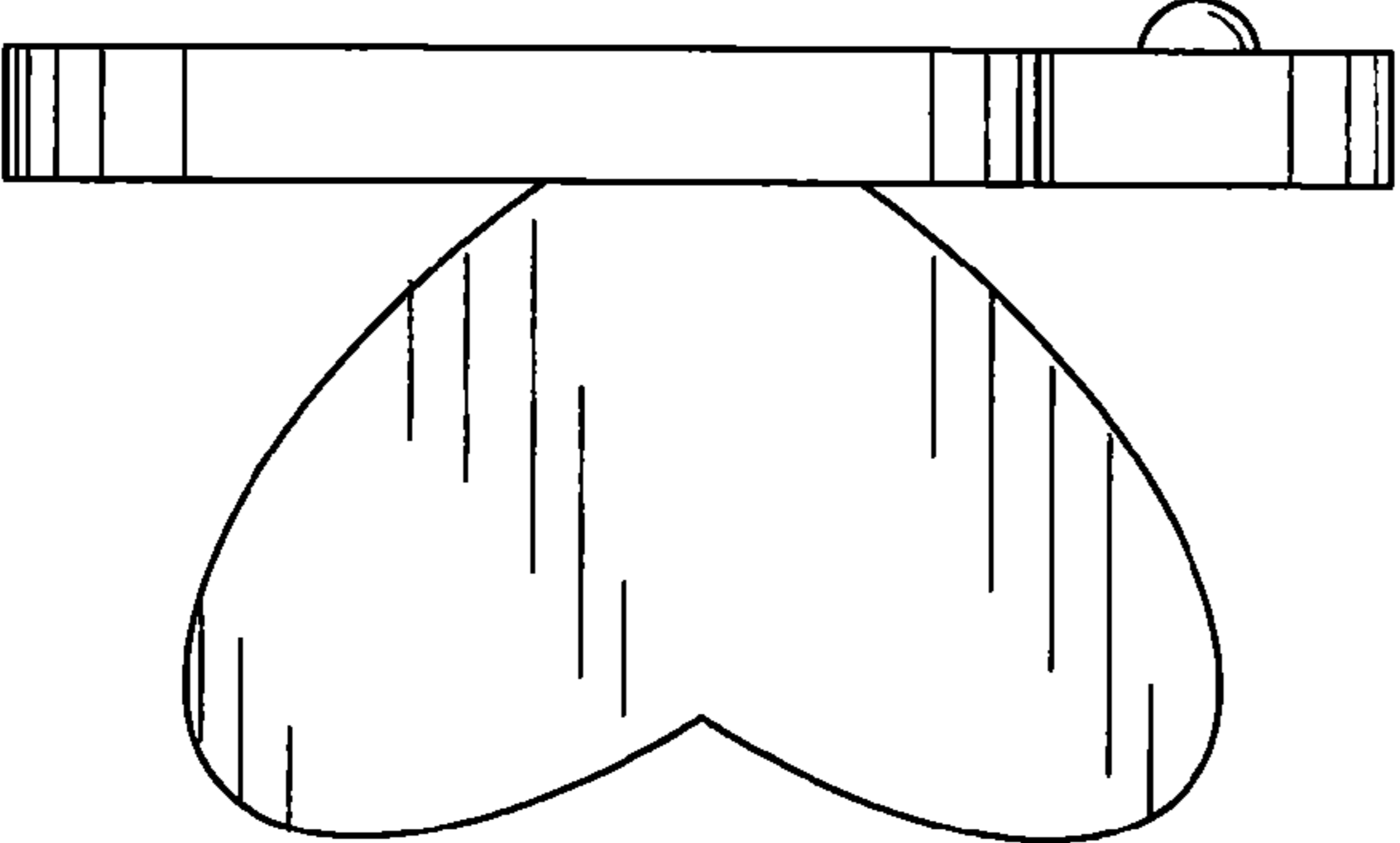


Fig. 3

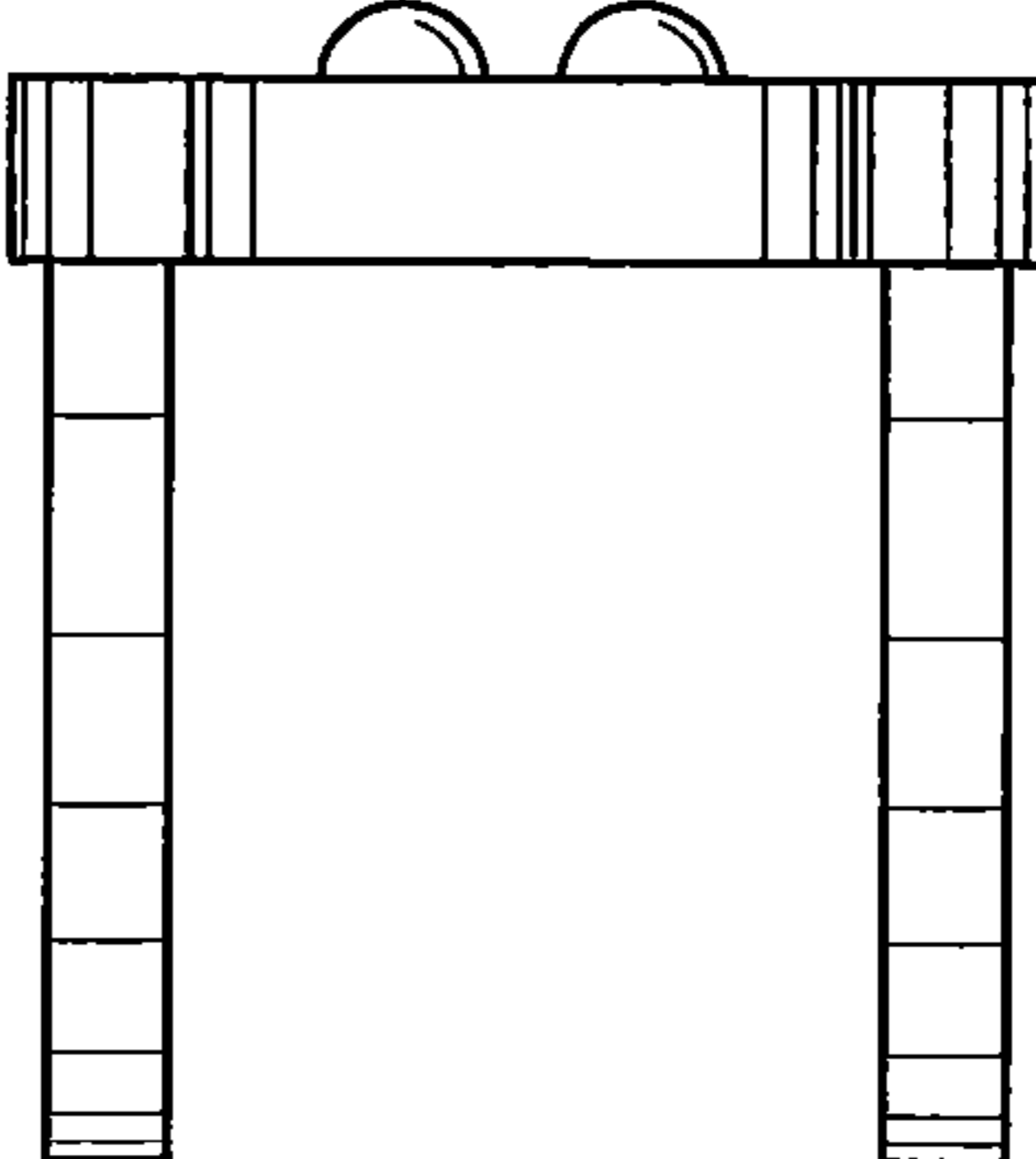


Fig. 4

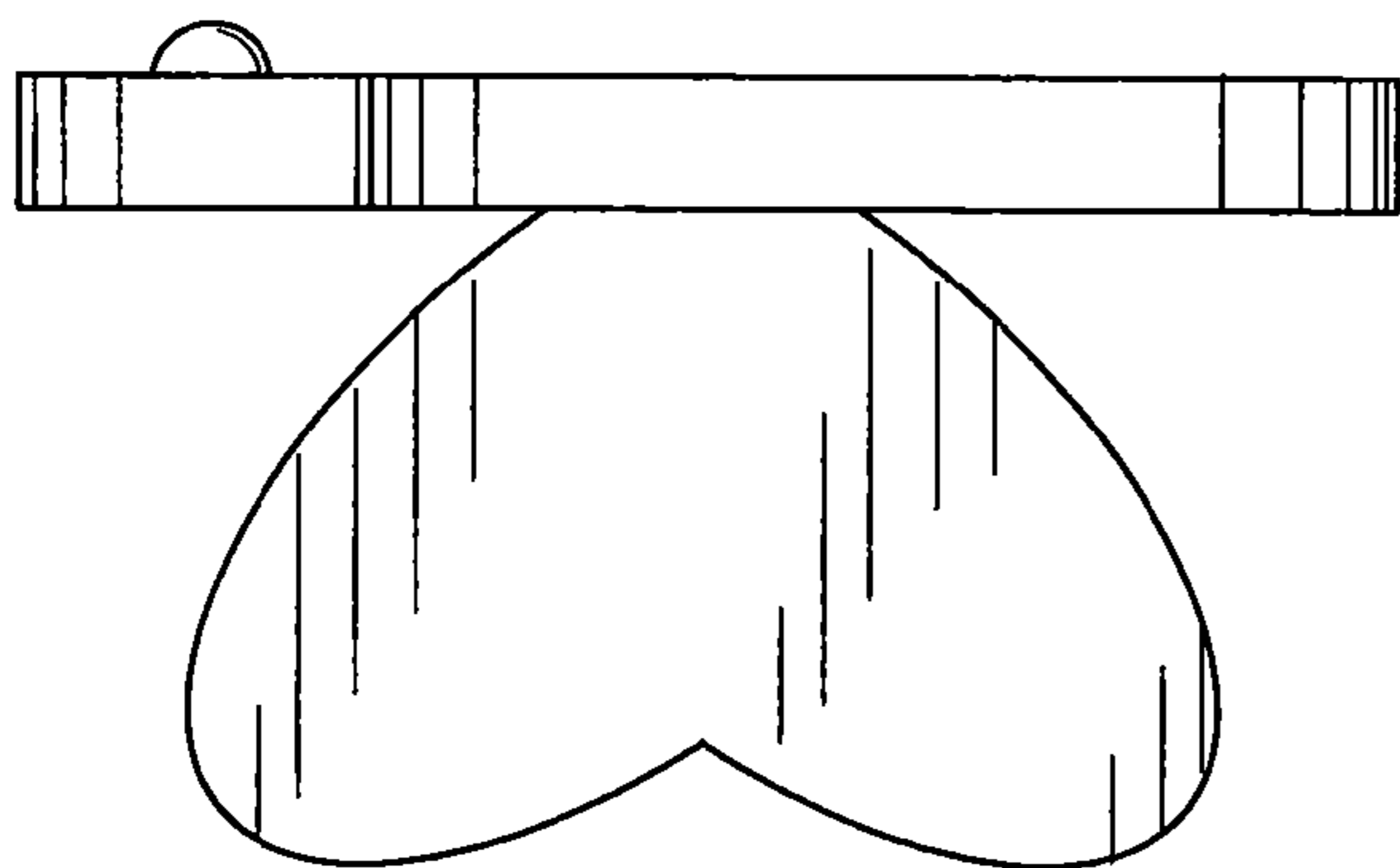


Fig. 5

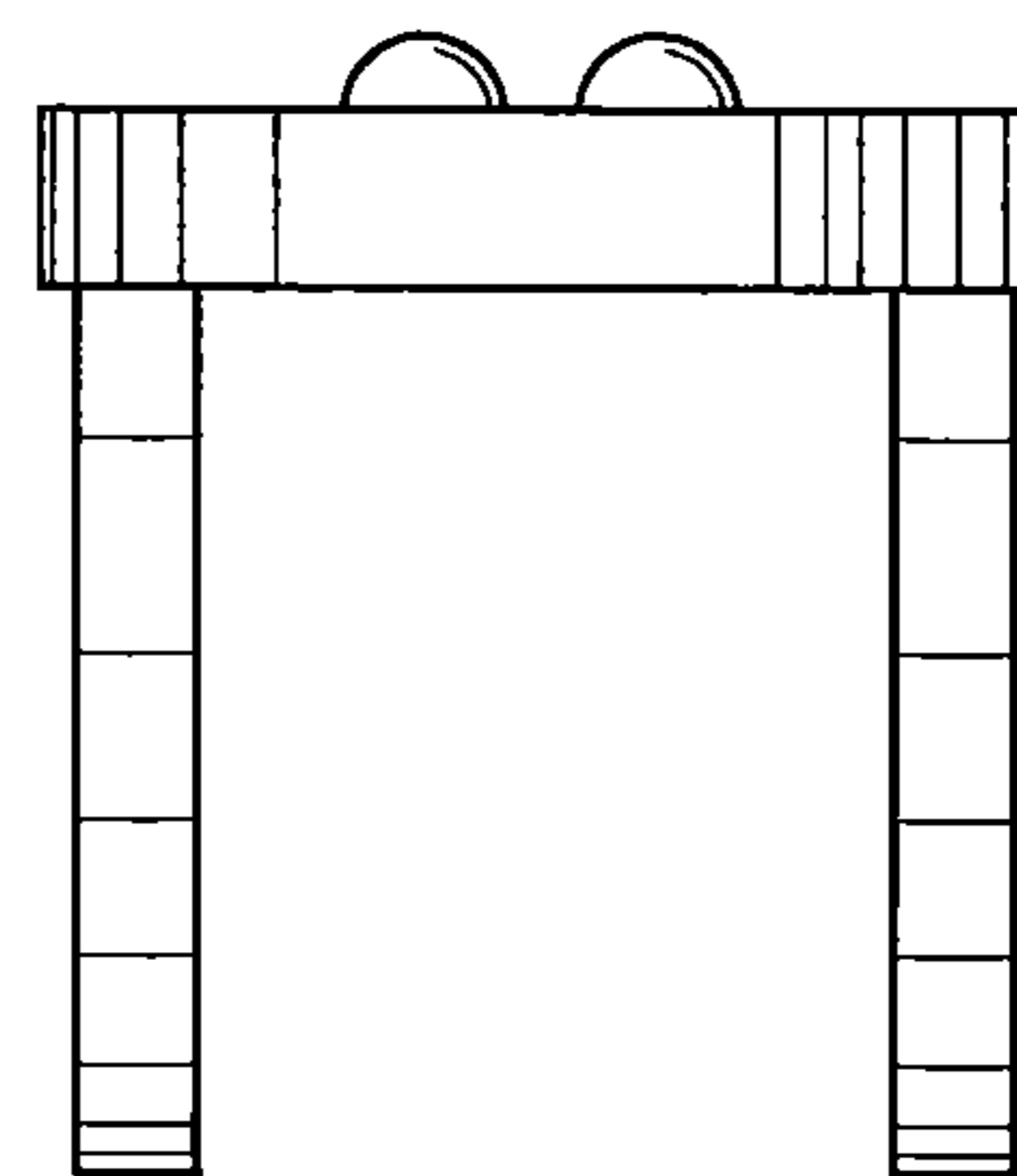


Fig. 6

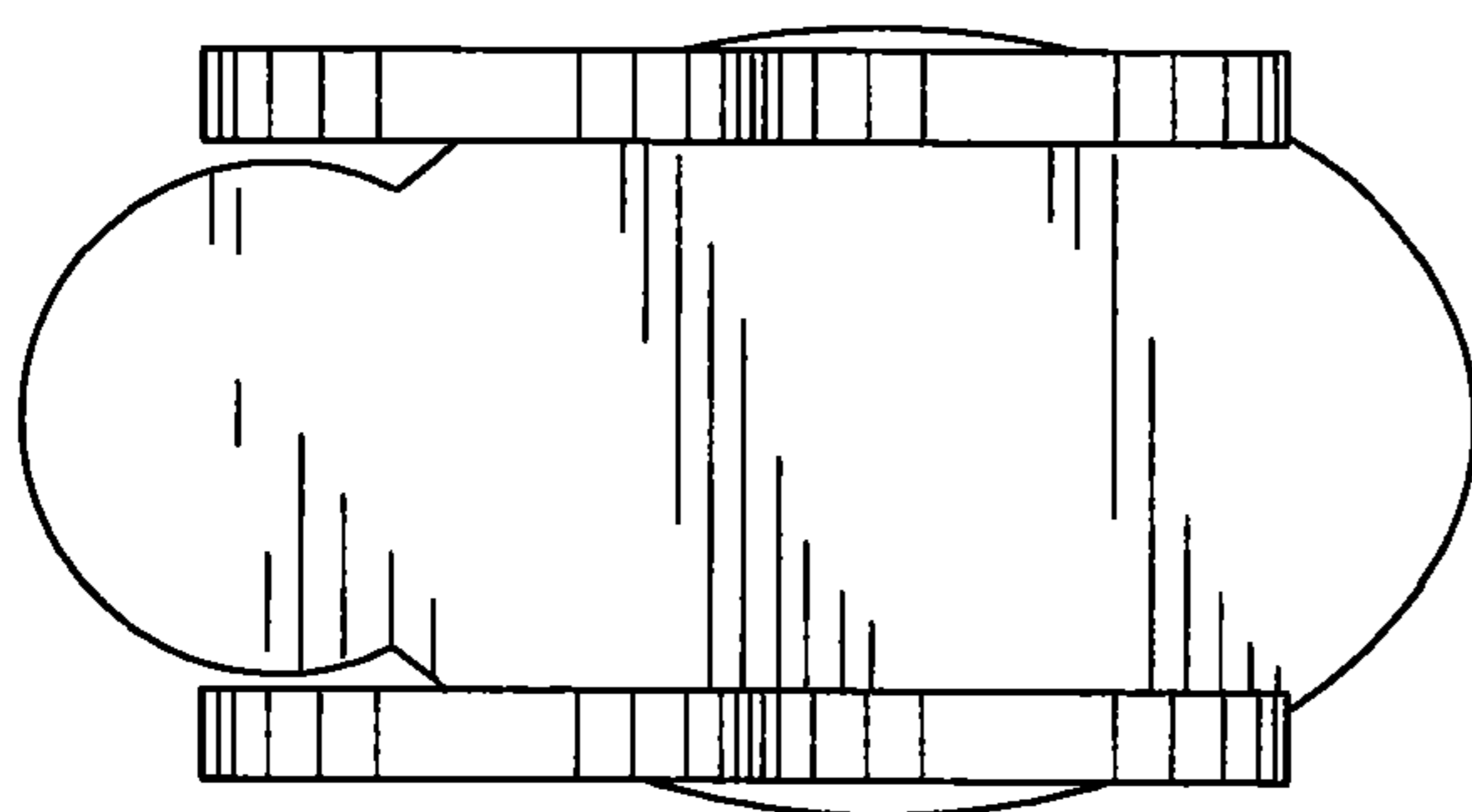


Fig. 7