



US00D592864S

(12) **United States Design Patent**
Klein et al.

(10) **Patent No.:** **US D592,864 S**

(45) **Date of Patent:** **** May 26, 2009**

(54) **HOOK**

(75) Inventors: **Richard B. Klein**, Overland Park, KS (US); **Mark A. Etter**, Independence, MO (US); **Brian Everett**, Shawnee, KS (US)

(73) Assignee: **Lynk, Inc.**, Lenexa, KS (US)

(**) Term: **14 Years**

(21) Appl. No.: **29/324,666**

(22) Filed: **Sep. 17, 2008**

(51) **LOC (9) Cl.** **06-08**

(52) **U.S. Cl.** **D6/328; D6/323**

(58) **Field of Classification Search** D6/315, D6/320, 323, 328, 550; D8/300, 349, 352, D8/367; 211/1, 13.1, 86.01, 183; 223/85-98; 248/121, 200, 317, 322, 466; D11/222, 226
See application file for complete search history.

(56) **References Cited**

U.S. PATENT DOCUMENTS

D19,322 S	10/1889	Campbell	
D343,112 S	1/1994	Corbin	
D401,840 S	12/1998	Goodman et al.	
D408,723 S	4/1999	Goodman et al.	
D409,398 S	5/1999	Sweetman	
D409,399 S	5/1999	Robinson	
D431,451 S	10/2000	Kuo	
D435,786 S	1/2001	Goodman et al.	
D435,971 S	1/2001	Solowiej	
D436,839 S	1/2001	Goodman et al.	
D442,056 S	5/2001	Duggan	
D455,947 S	4/2002	Goodman et al.	
D461,985 S *	8/2002	Fuchs	D6/550
D462,554 S *	9/2002	Fuchs	D6/550
D472,134 S	3/2003	Goodman et al.	
D473,451 S *	4/2003	Goodman et al.	D8/367
D473,453 S	4/2003	Goodman et al.	

D473,455 S	4/2003	Goodman et al.	
D486,094 S *	2/2004	Candotti	D11/226
D493,093 S	7/2004	Goodman et al.	
D496,203 S *	9/2004	Sale, Jr.	D6/550
D526,493 S	8/2006	Fields	
D526,494 S	8/2006	Fields	
D528,336 S *	9/2006	Chang	D6/550
D529,742 S *	10/2006	Gilbert	D6/550
D543,755 S	6/2007	Bauer et al.	
D552,458 S	10/2007	Adams et al.	
D568,621 S *	5/2008	Krumpe et al.	D6/323
D578,780 S *	10/2008	Lee	D6/323
D580,186 S *	11/2008	Krumpe et al.	D6/323

OTHER PUBLICATIONS

U.S. Appl. No. 29/324,664, filed Sep. 17, 2008 by Klein et al.

* cited by examiner

Primary Examiner—Stella M Reid

Assistant Examiner—Shanda C Hill

(74) *Attorney, Agent, or Firm*—Stinson Morrison Hecker LLP

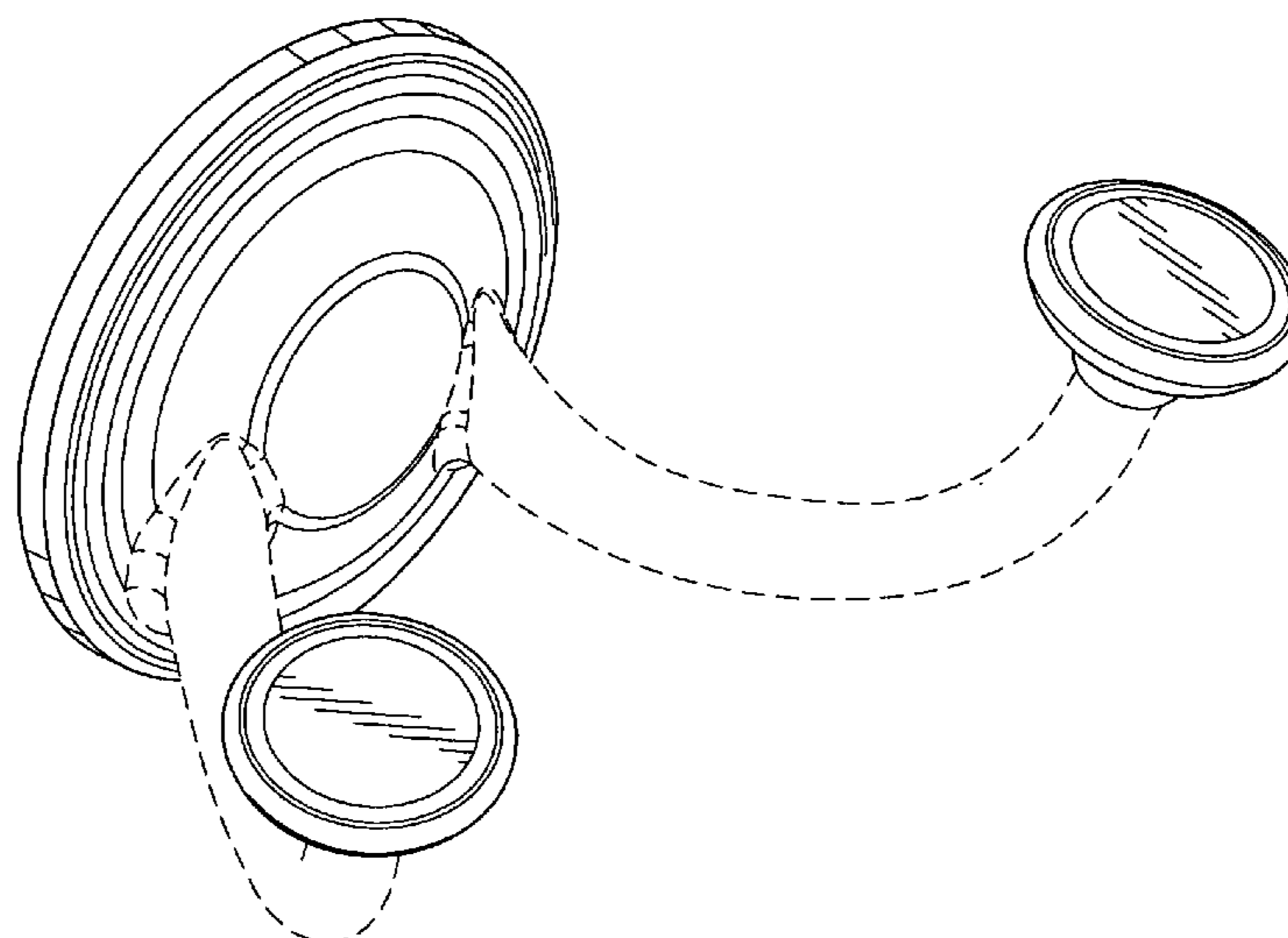
(57) **CLAIM**

The ornamental design for a hook, as shown and described.

DESCRIPTION

FIG. 1 is a front perspective view of the hook;
FIG. 2 is a front elevational view of the hook of FIG. 1;
FIG. 3 is a rear elevational view of the hook of FIG. 1;
FIG. 4 is a top plan view of the hook of FIG. 1;
FIG. 5 is a bottom plan view of the hook of FIG. 1;
FIG. 6 is a left side elevational view of the hook of FIG. 1; and,
FIG. 7 is a right side elevational view of the hook of FIG. 1.
The broken lines shown in the drawing disclosure are for illustrative purposes only and form no part of the claimed design.

1 Claim, 4 Drawing Sheets



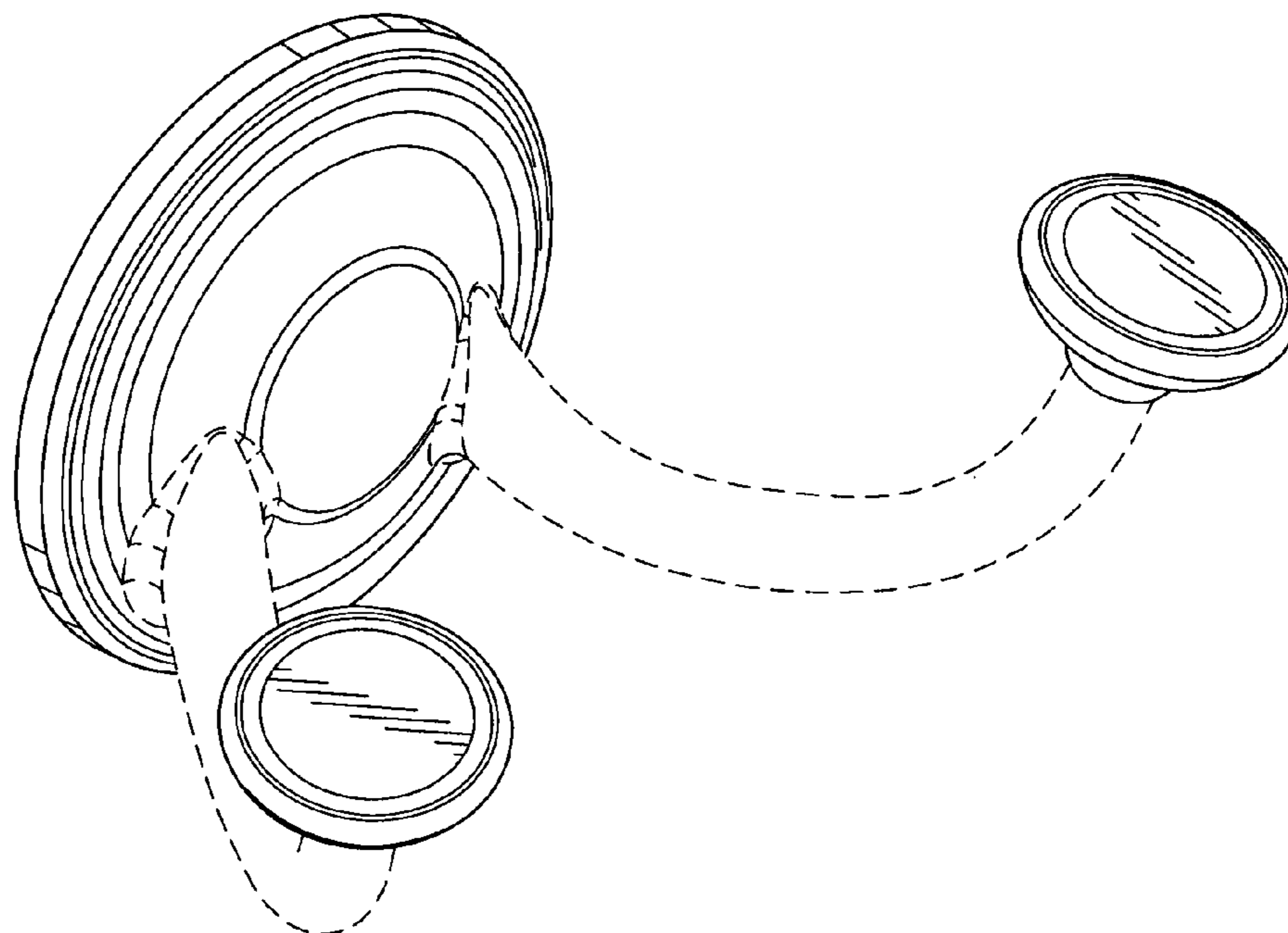


FIG. 1

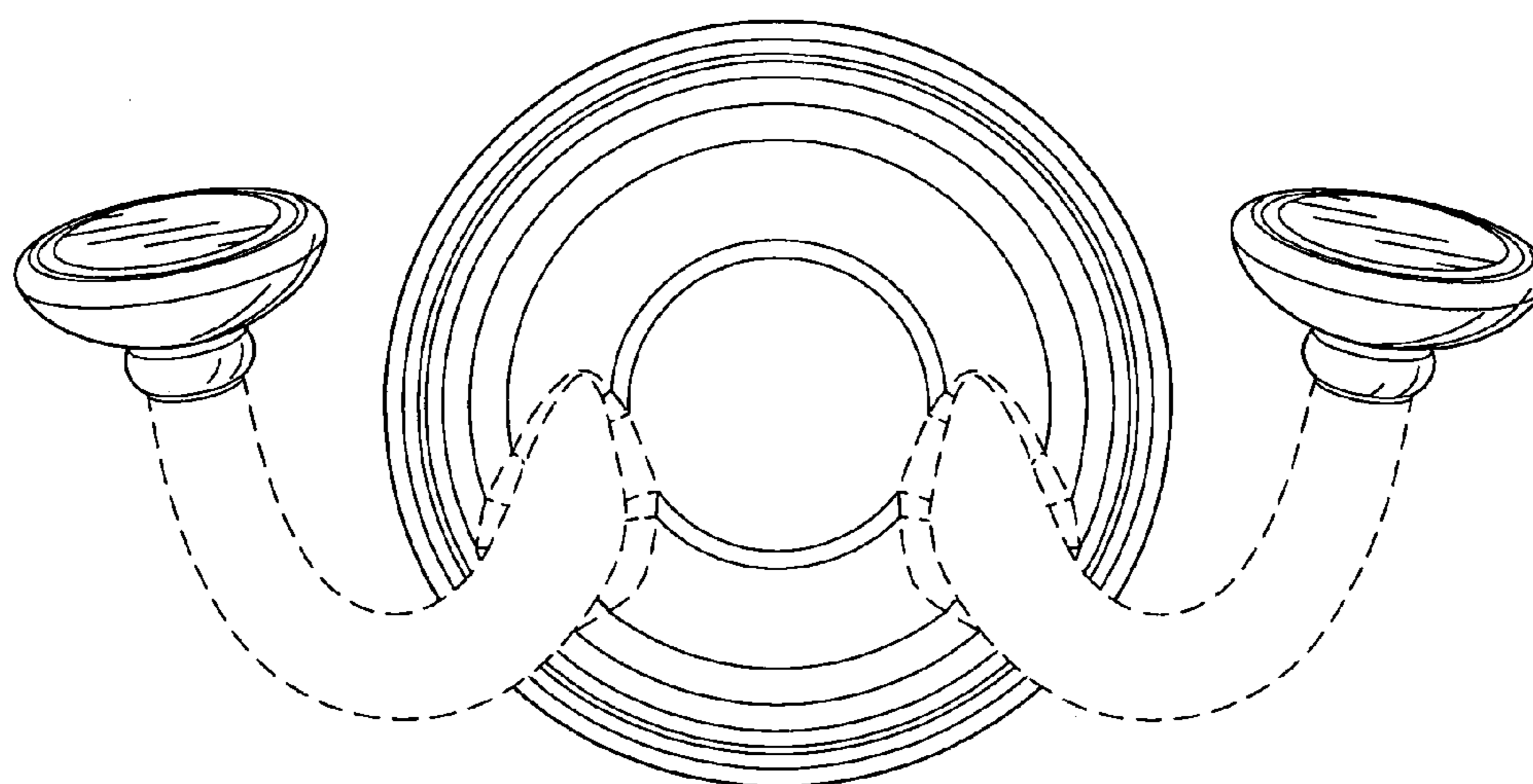


FIG. 2

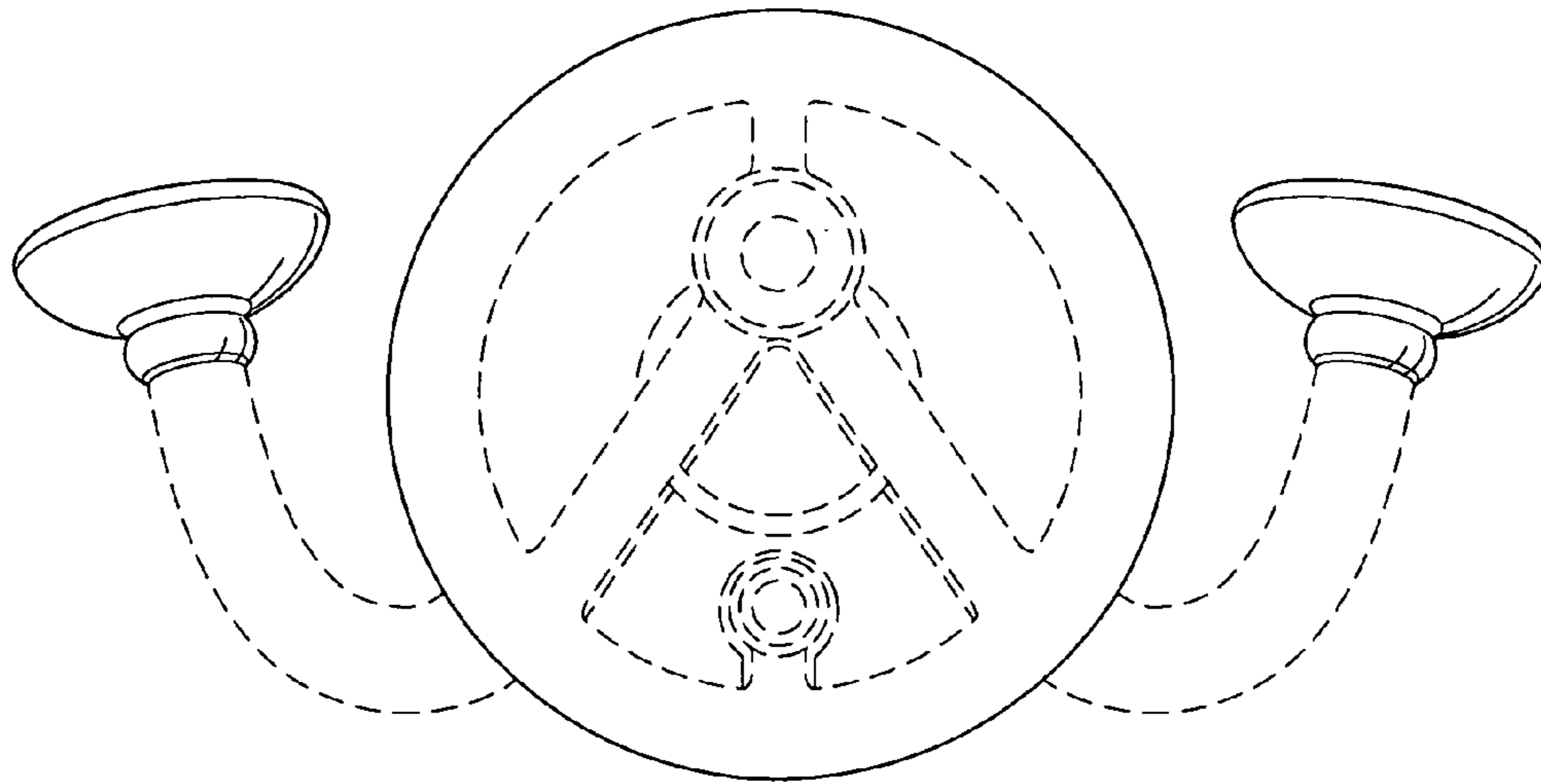


FIG. 3

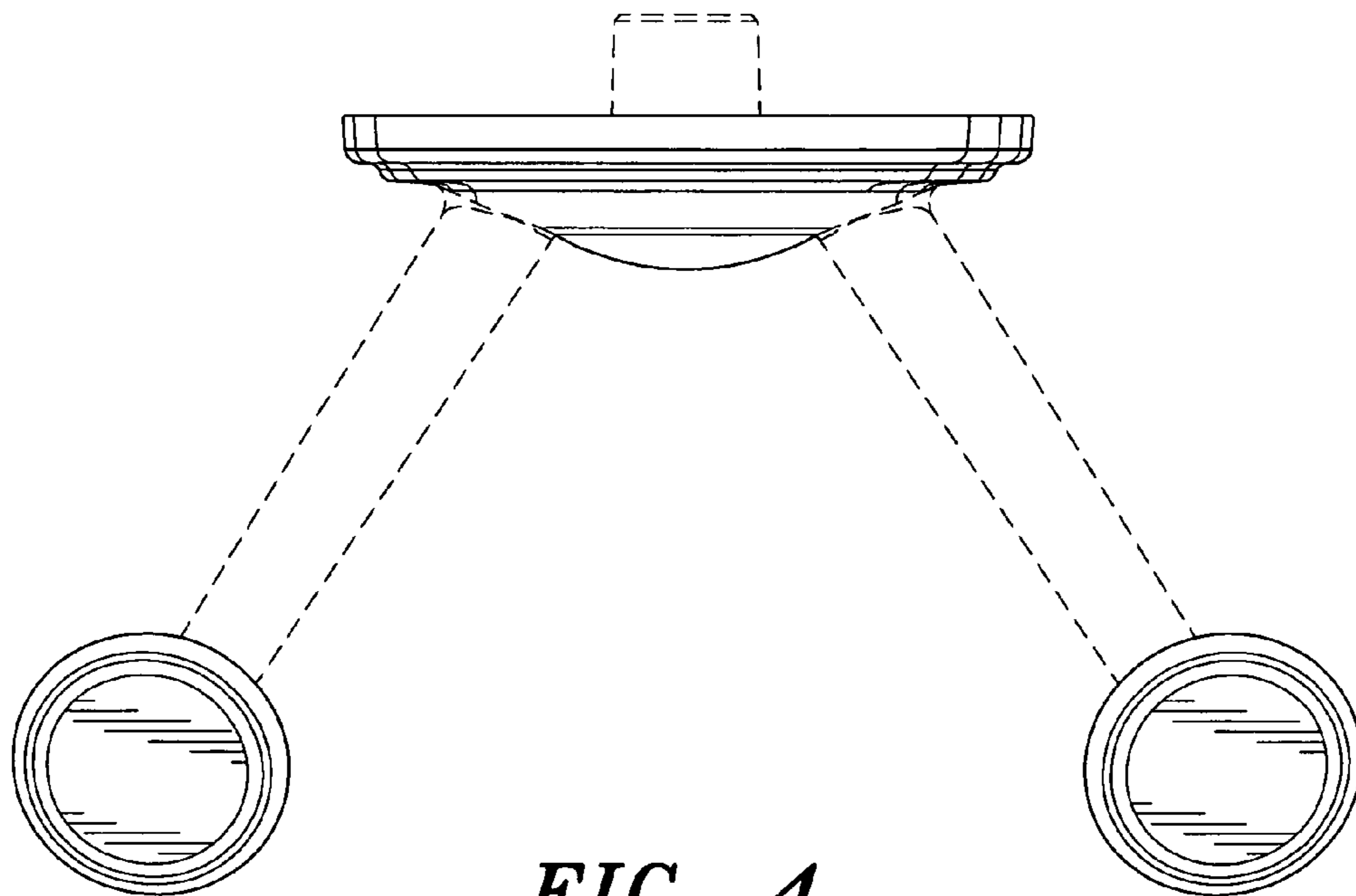


FIG. 4

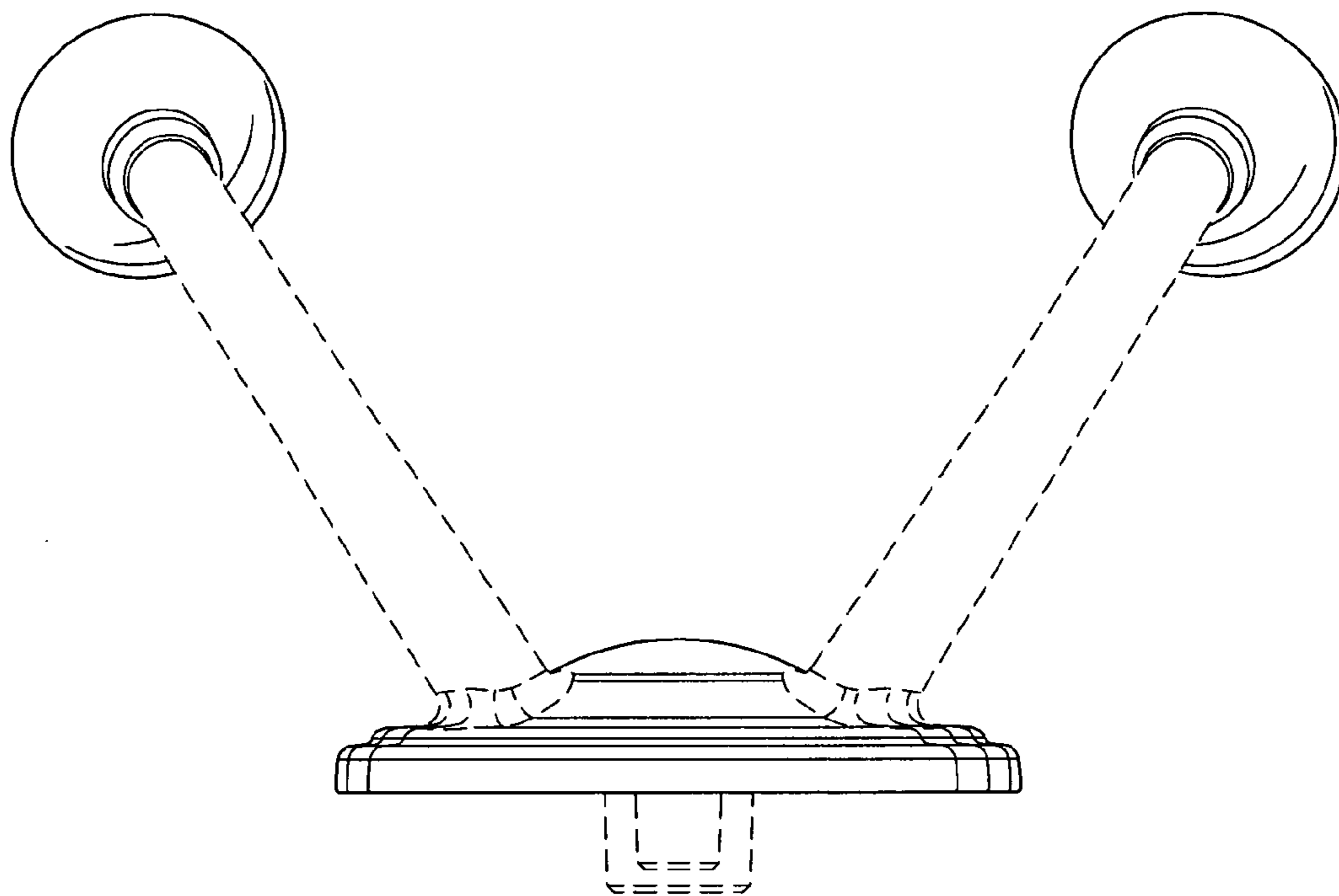


FIG. 5

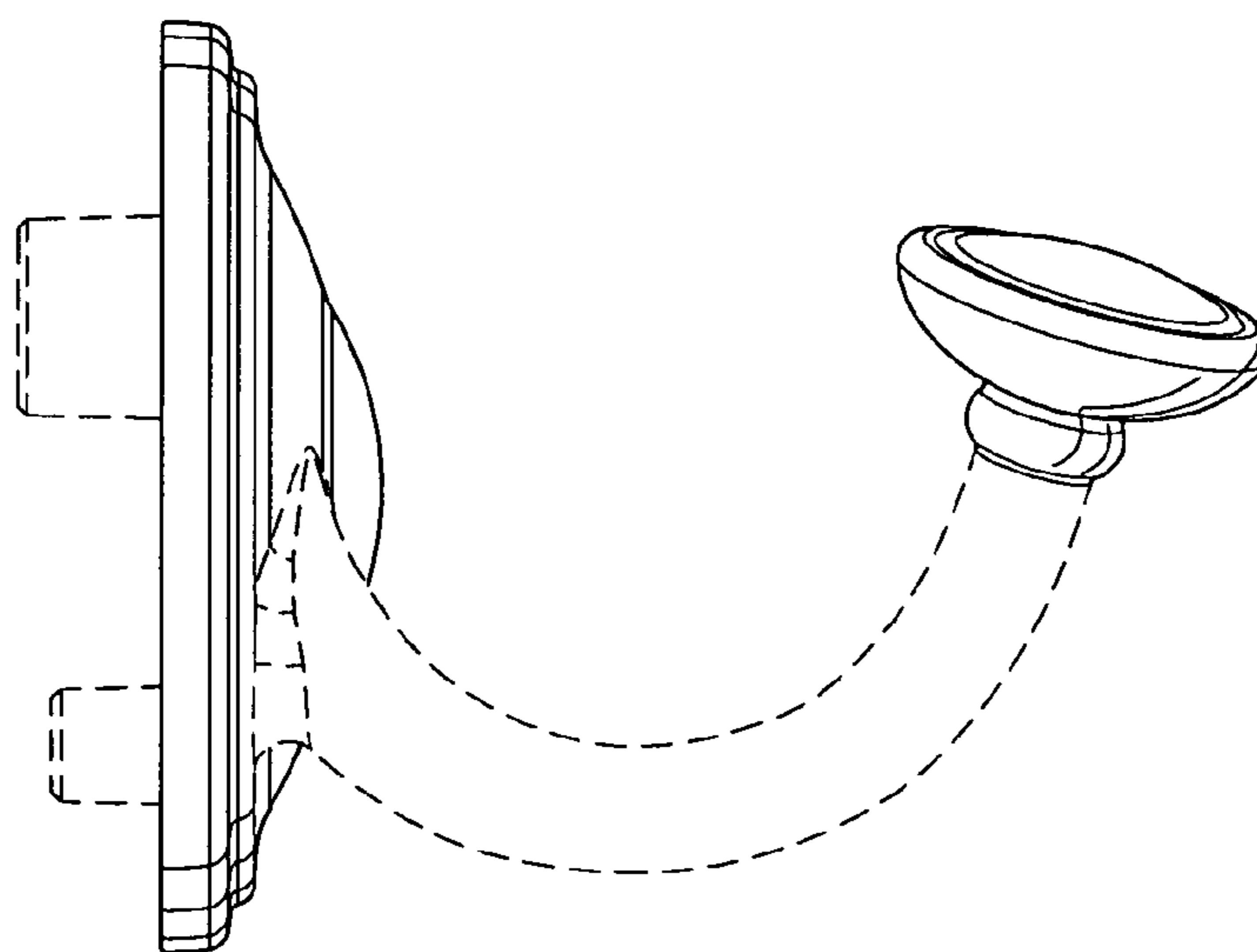


FIG. 6

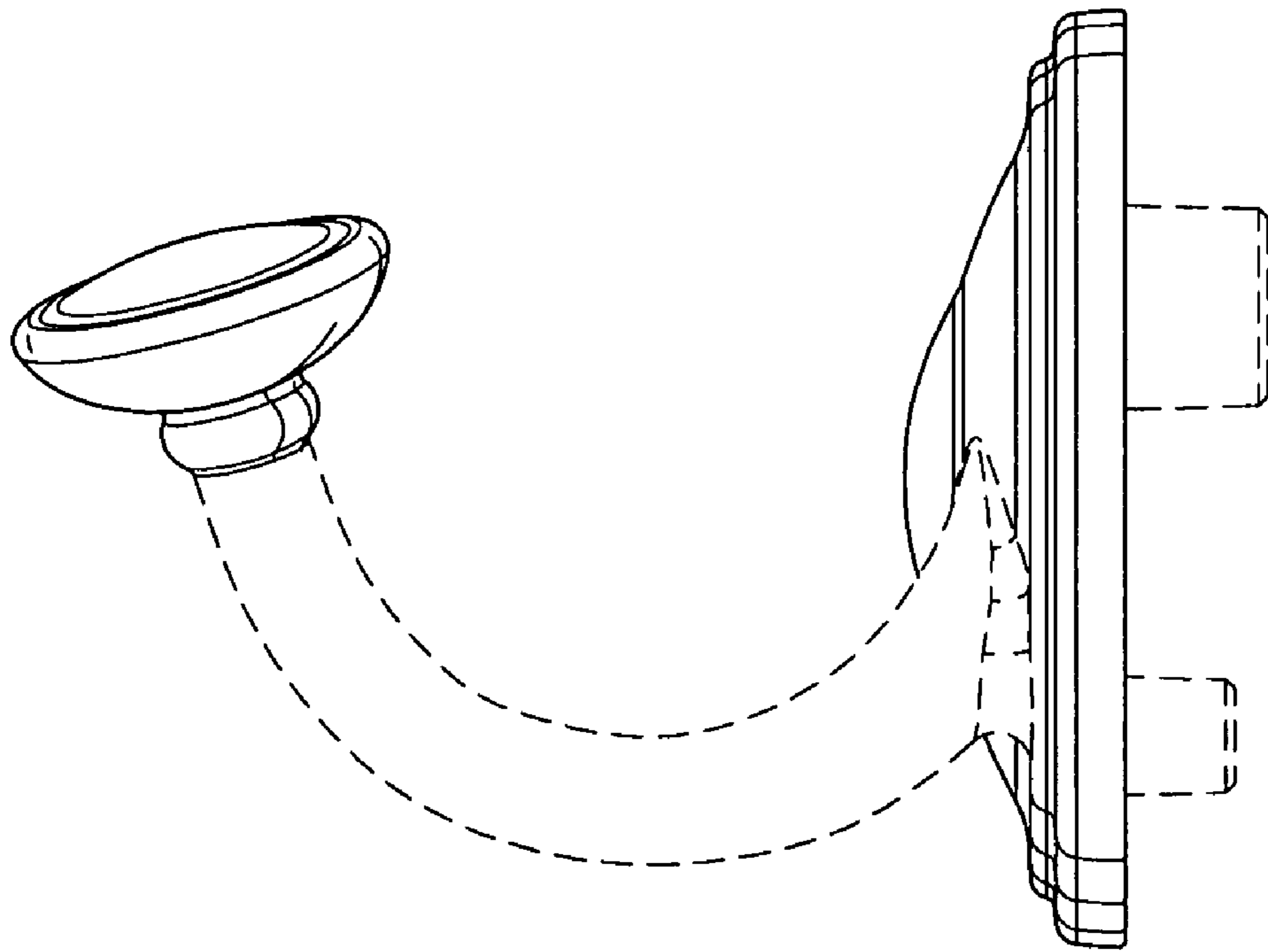


FIG. 7