



US00D592863S

(12) **United States Design Patent**
Hoehn

(10) **Patent No.:** **US D592,863 S**

(45) **Date of Patent:** **** May 26, 2009**

(54) **DIGITAL PHOTO FRAME**

(75) Inventor: **Holger Hoehn**, Taipei (TW)

(73) Assignee: **Koninklijke Philips Electronics N.V.**,
Eindhoven (NL)

(**) Term: **14 Years**

(21) Appl. No.: **29/304,531**

(22) Filed: **Mar. 4, 2008**

(30) **Foreign Application Priority Data**

Sep. 17, 2007 (EM) 000790670-0002

(51) **LOC (9) Cl.** **06-07**

(52) **U.S. Cl.** **D6/310**

(58) **Field of Classification Search** D6/300,
D6/308, 310, 311; 40/721, 700, 768, 717,
40/714; D14/371, 372, 448, 449, 450, 375,
D14/374, 381, 382, 336, 337; D10/15, 24,
D10/75, 2; D19/26

See application file for complete search history.

(56) **References Cited**

U.S. PATENT DOCUMENTS

D416,549 S * 11/1999 Coster et al. D14/375
D476,005 S * 6/2003 Peng et al. D14/375

D489,721 S * 5/2004 Peng et al. D14/371
D513,254 S * 12/2005 Chu et al. D14/371
D527,193 S * 8/2006 Park D6/300
D545,894 S * 7/2007 Park D19/26
D560,668 S * 1/2008 Pritchard et al. D14/448
D572,023 S * 7/2008 Park D6/300
D572,025 S * 7/2008 Kwon D6/308

* cited by examiner

Primary Examiner—Caron Veynar
Assistant Examiner—Sydney R Buffalow

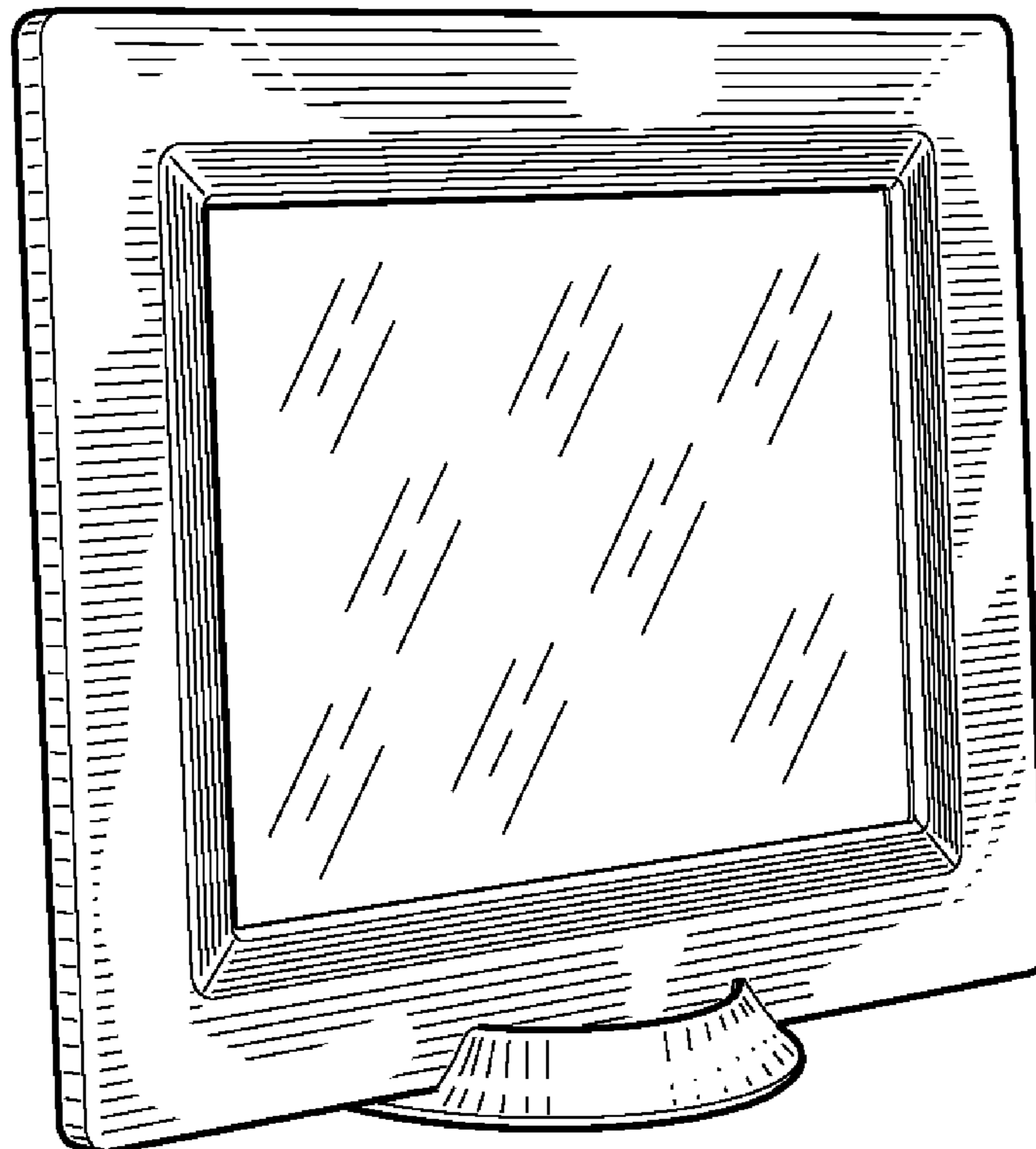
(57) **CLAIM**

The ornamental design for a digital photo frame, as shown.

DESCRIPTION

FIG. 1 is a perspective view showing my design;
FIG. 2 is a front elevational view thereof;
FIG. 3 is a rear elevational view thereof;
FIG. 4 is a right side elevational view thereof;
FIG. 5 is a left side elevational view thereof;
FIG. 6 is a top plan view thereof; and,
FIG. 7 is a bottom plan view thereof.
The broken lines are for illustrative purposes only and form
no part of the claimed design.

1 Claim, 2 Drawing Sheets



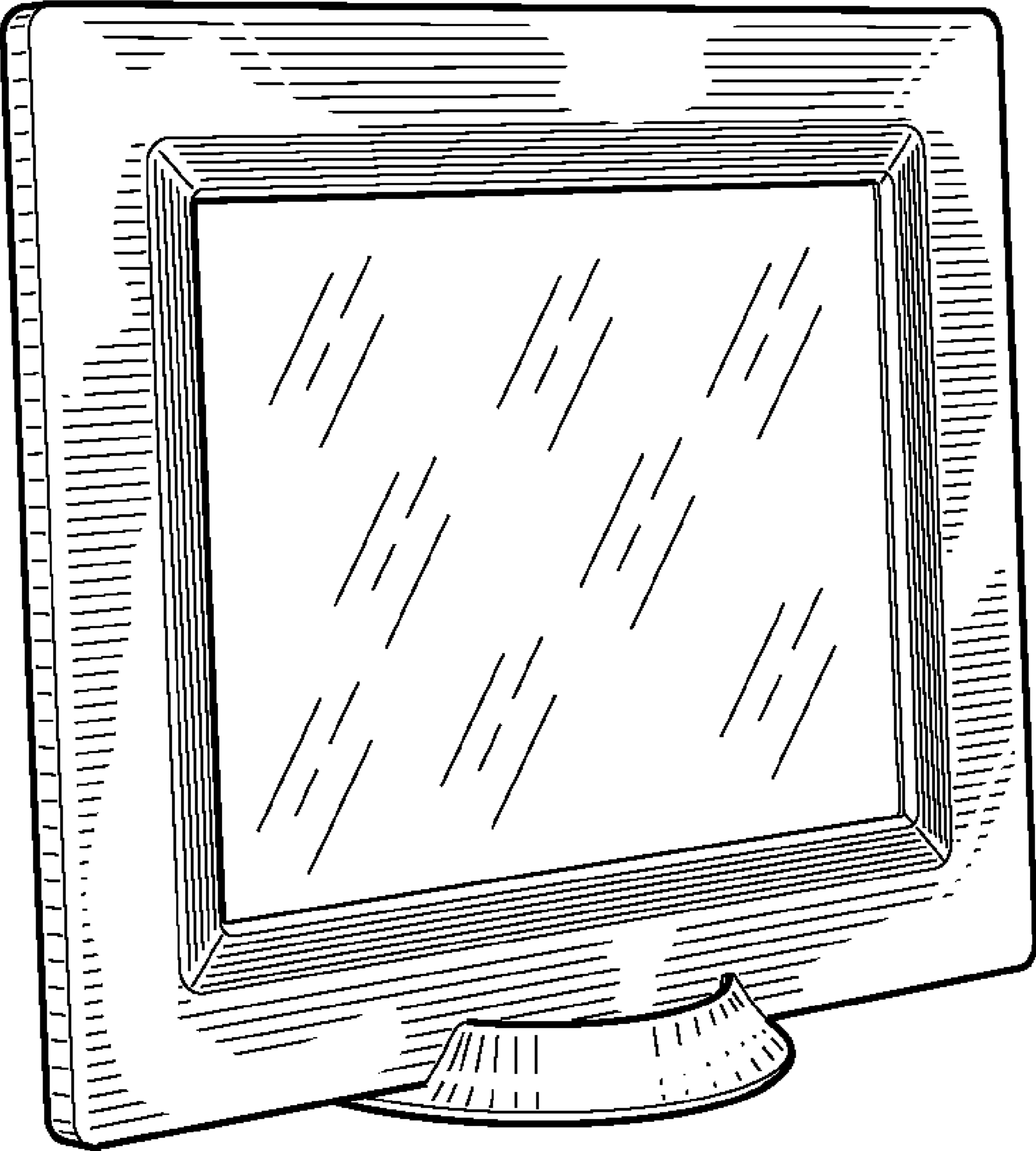


FIG. 1

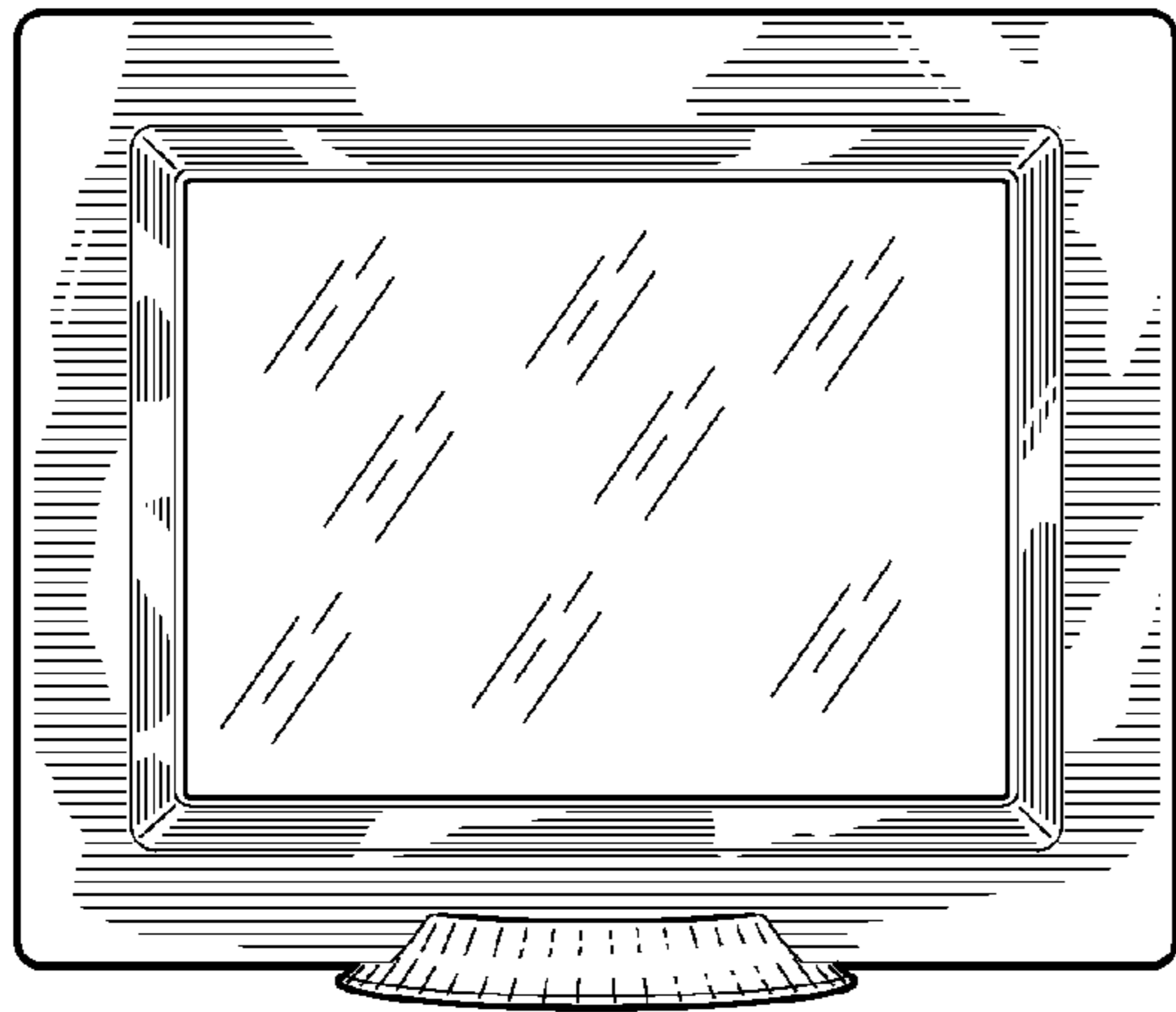


FIG. 2

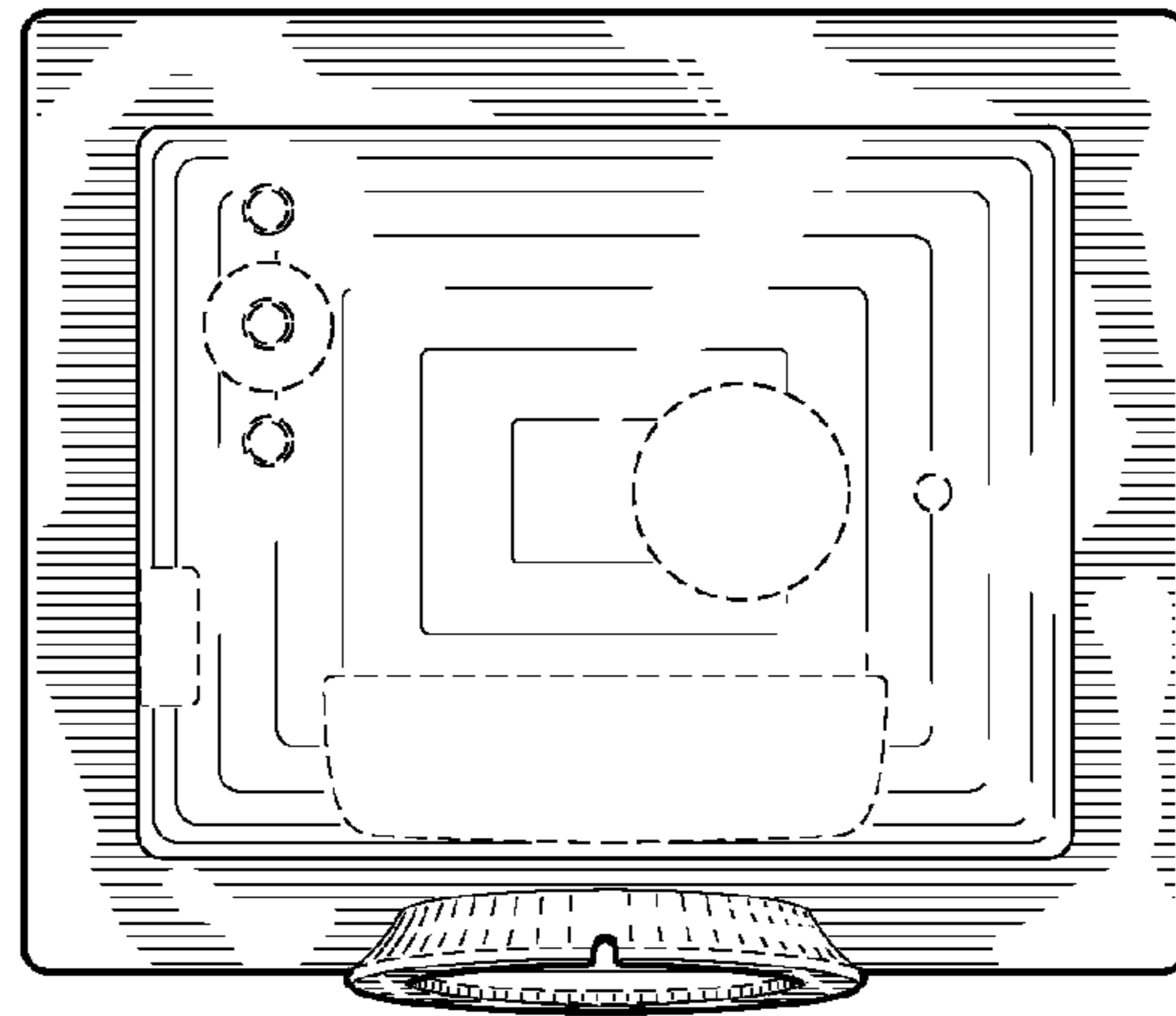


FIG. 3

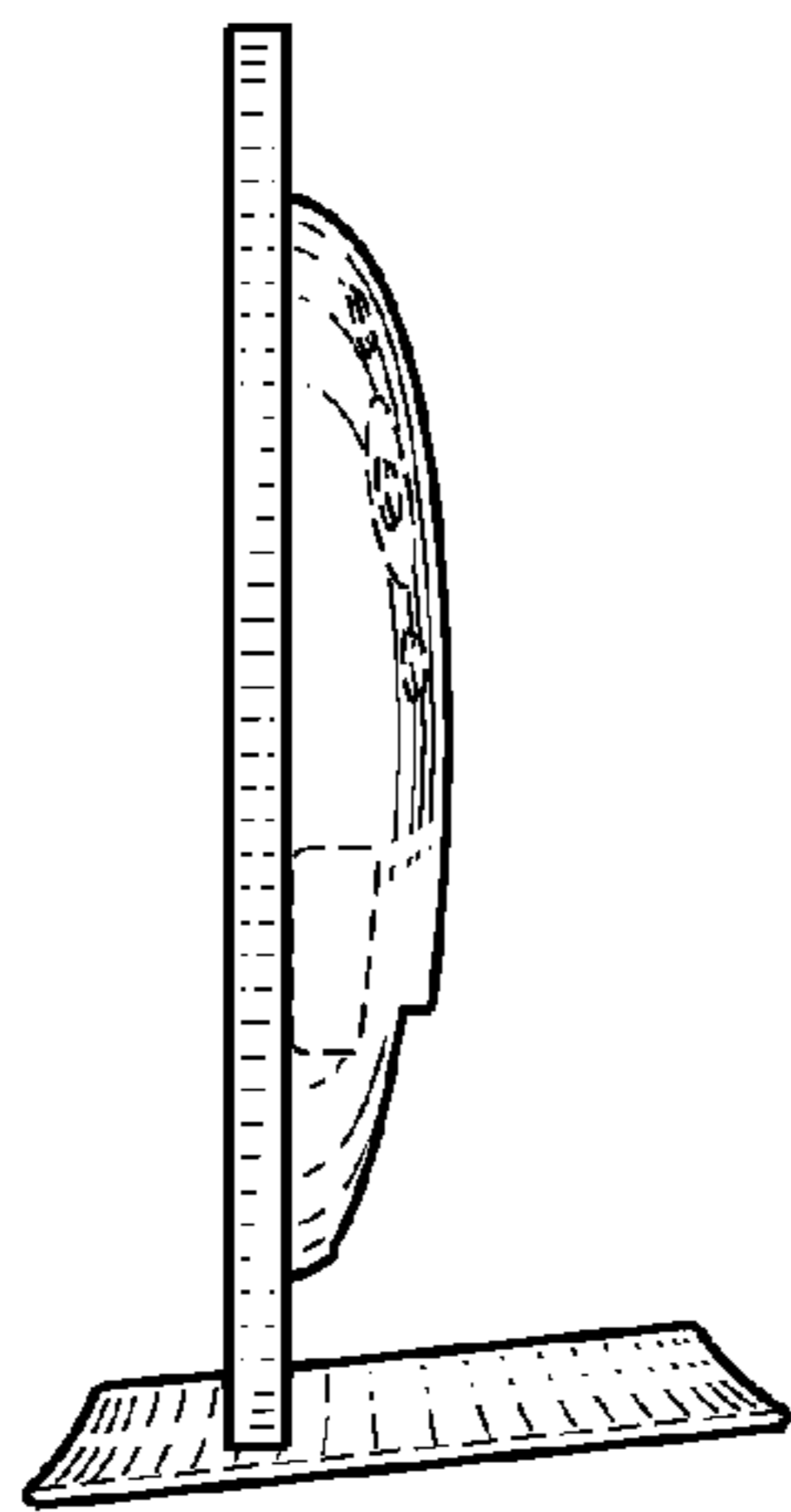


FIG. 4

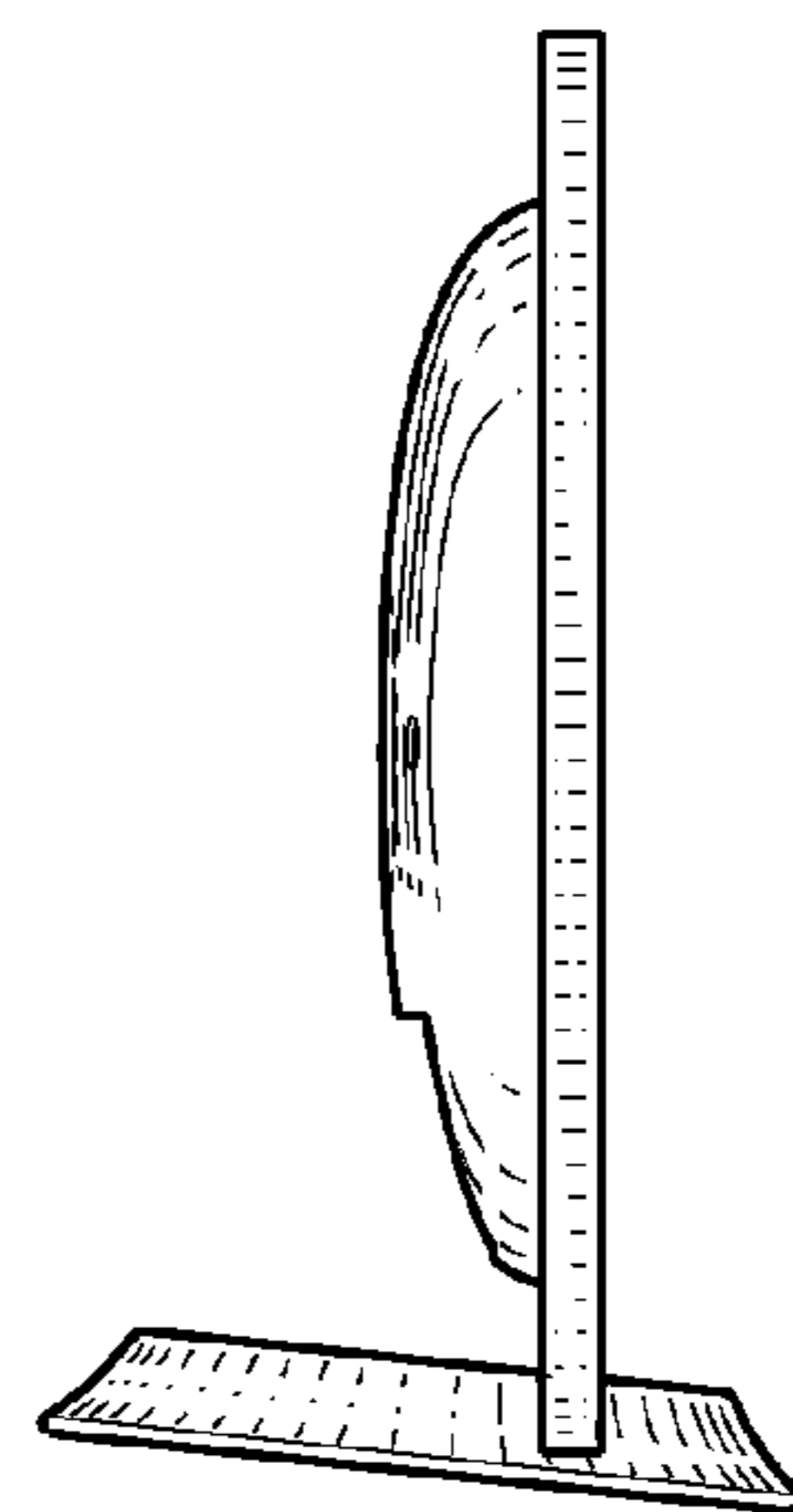


FIG. 5

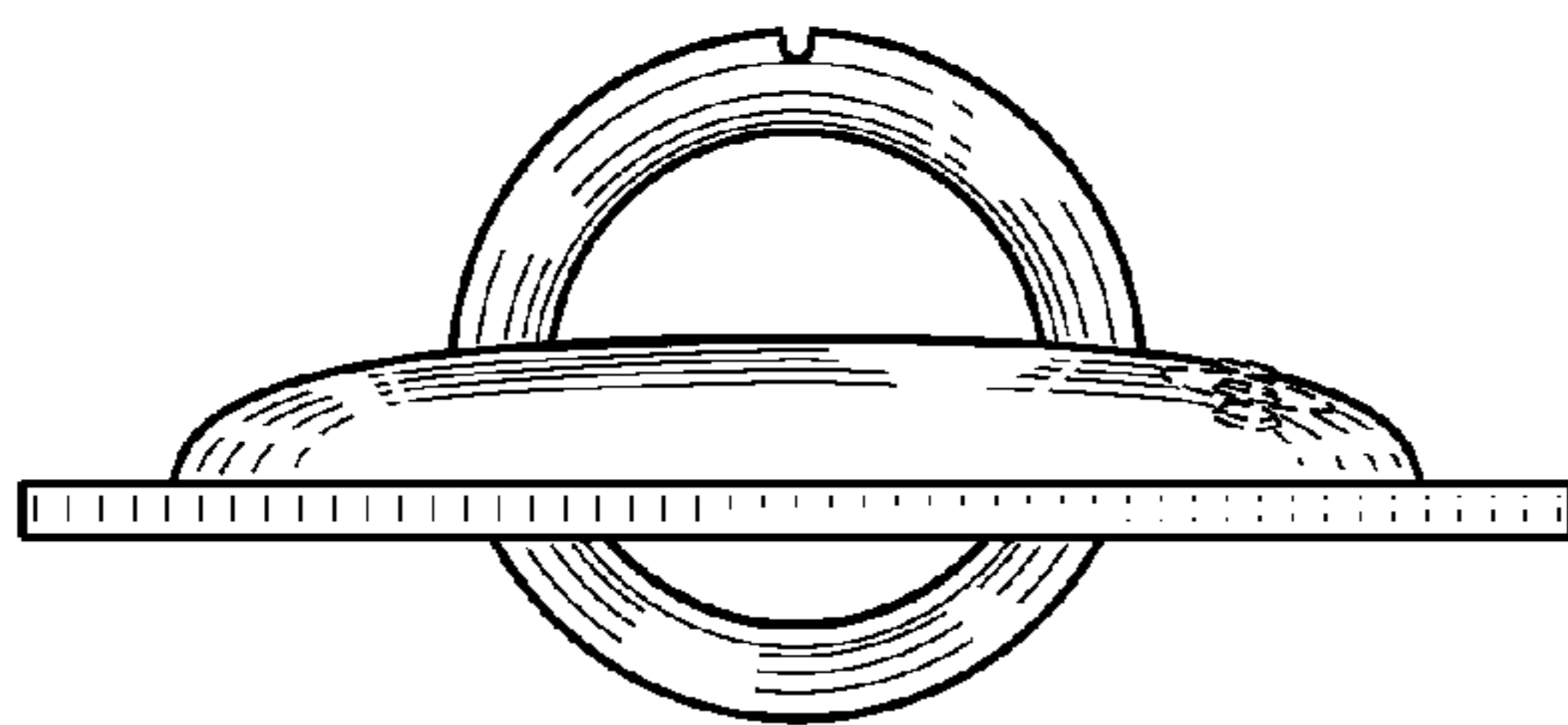


FIG. 6

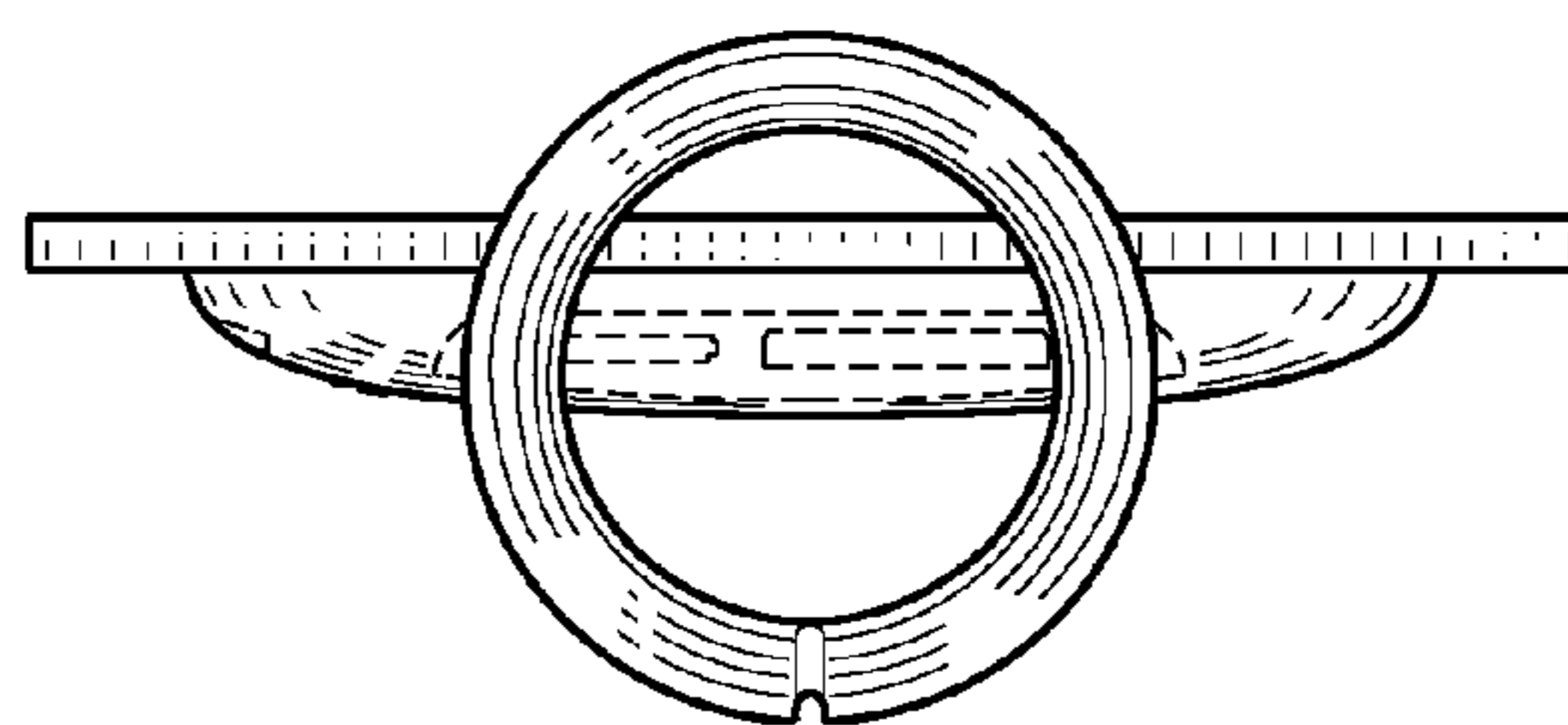


FIG. 7