



US00D592855S

(12) **United States Design Patent**  
**Janedis**

(10) **Patent No.:** **US D592,855 S**

(45) **Date of Patent:** **\*\* May 26, 2009**

(54) **TENNIS BAG**

(76) Inventor: **Meaghan Janedis**, 51 Hawthorne Pl.,  
Manhasset, NY (US) 11030

(\*\*) Term: **14 Years**

(21) Appl. No.: **29/317,140**

(22) Filed: **Apr. 23, 2008**

(51) **LOC (9) Cl.** ..... **03-01**

(52) **U.S. Cl.** ..... **D3/321**

(58) **Field of Classification Search** ..... D3/224,  
D3/254, 256, 269, 273, 289, 318, 321-322;  
150/100, 107, 112; 190/124; 206/579, 315.1  
See application file for complete search history.

(56) **References Cited**

U.S. PATENT DOCUMENTS

1,560,442	A *	11/1925	Trowbridge	.....	150/112
3,086,572	A *	4/1963	Lubin	.....	150/107
D231,150	S *	4/1974	Berry et al.	.....	D3/256
D262,072	S *	12/1981	Pfeiffer	.....	D3/256
D346,493	S *	5/1994	Nichols	.....	D3/224
D375,660	S *	11/1996	Parris	.....	D7/628
D425,698	S *	5/2000	Paul et al.	.....	D3/217
6,138,881	A *	10/2000	Paul et al.	.....	224/153
D446,013	S *	8/2001	Pironti	.....	D3/287
D498,586	S *	11/2004	Perez-Duran	.....	D3/221
D505,787	S *	6/2005	Vaughn	.....	D3/224
7,322,477	B2 *	1/2008	Schweitz	.....	206/579
D570,115	S *	6/2008	Lyons et al.	.....	D3/321

\* cited by examiner

*Primary Examiner*—Philip S Hyder  
*Assistant Examiner*—Roselynn Cody

(74) *Attorney, Agent, or Firm*—Collard & Roe, P.C.

(57) **CLAIM**

The ornamental design for the tennis bag, as shown and described.

**DESCRIPTION**

FIG. 1 shows a side perspective view of my design for a tennis bag;

FIG. 2 shows a side view thereof;

FIG. 3 shows a right side view thereof, according to the orientation in FIG. 2;

FIG. 4 shows a left side view thereof, according to the orientation in FIG. 2;

FIG. 5 shows a top view thereof, according to the orientation in FIG. 2;

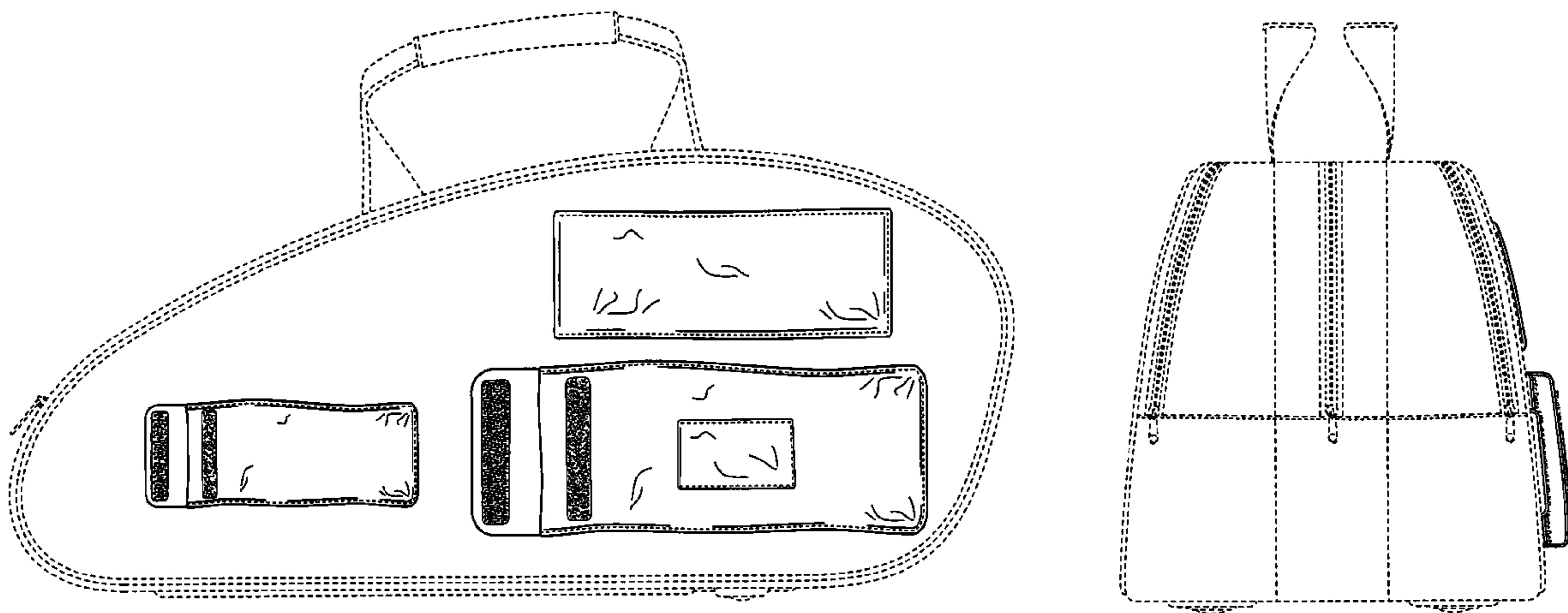
FIG. 6 shows a bottom view thereof, according to the orientation in FIG. 2;

FIG. 7 shows an opposite side perspective view, opposite FIG. 1 thereof; and,

FIG. 8 shows a perspective view thereof as shown in FIG. 7 with the bag being open.

The dark dashed lines in the drawings indicate zippers. The light dashed lines indicate the outline and various features of the bag. In both cases, the dashed lines are directed to environment and form no part of the claimed design. The dashed lines that appear on the pockets indicate stitching. These lines do form part of the claimed design.

**1 Claim, 7 Drawing Sheets**



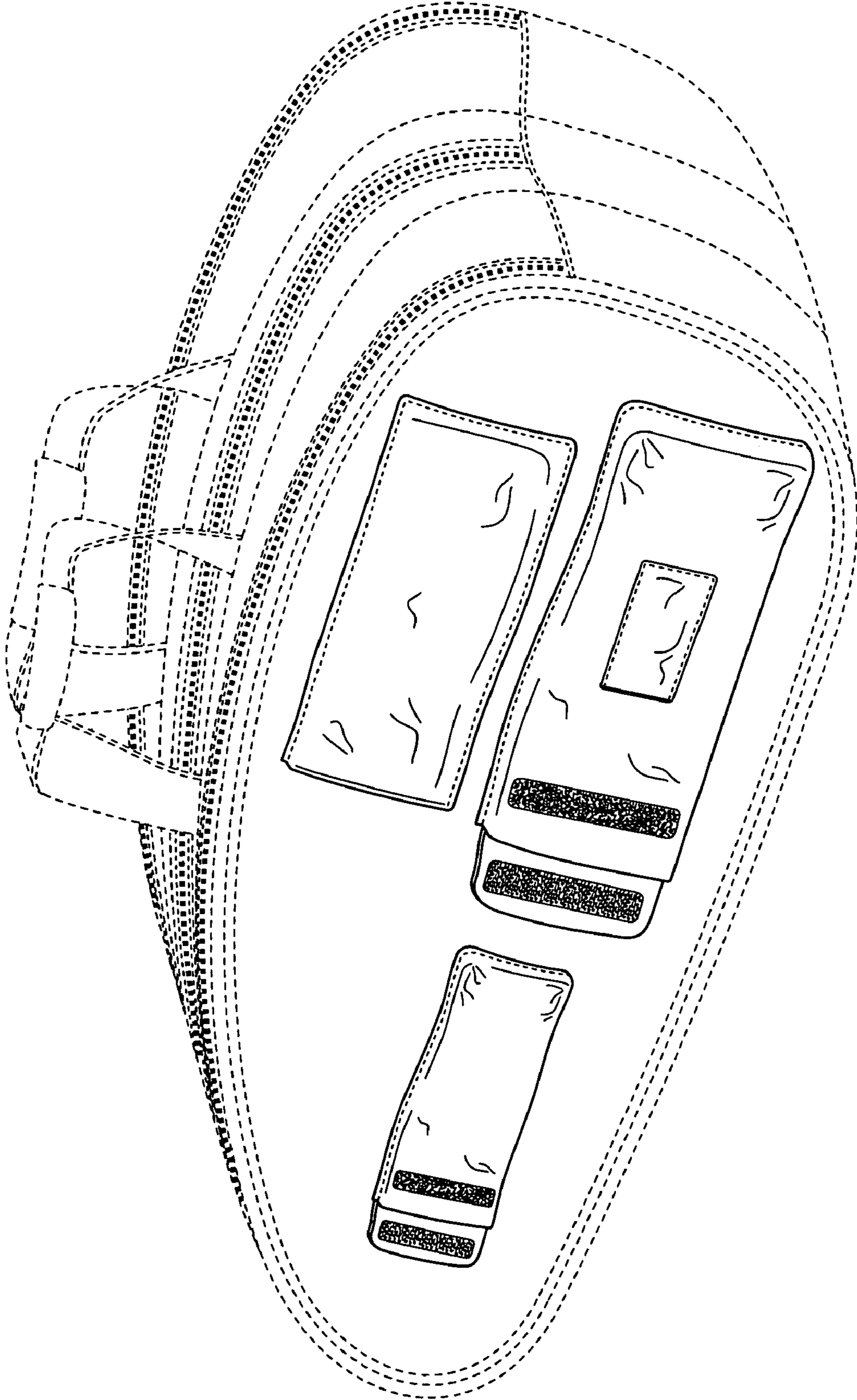


FIG. 1

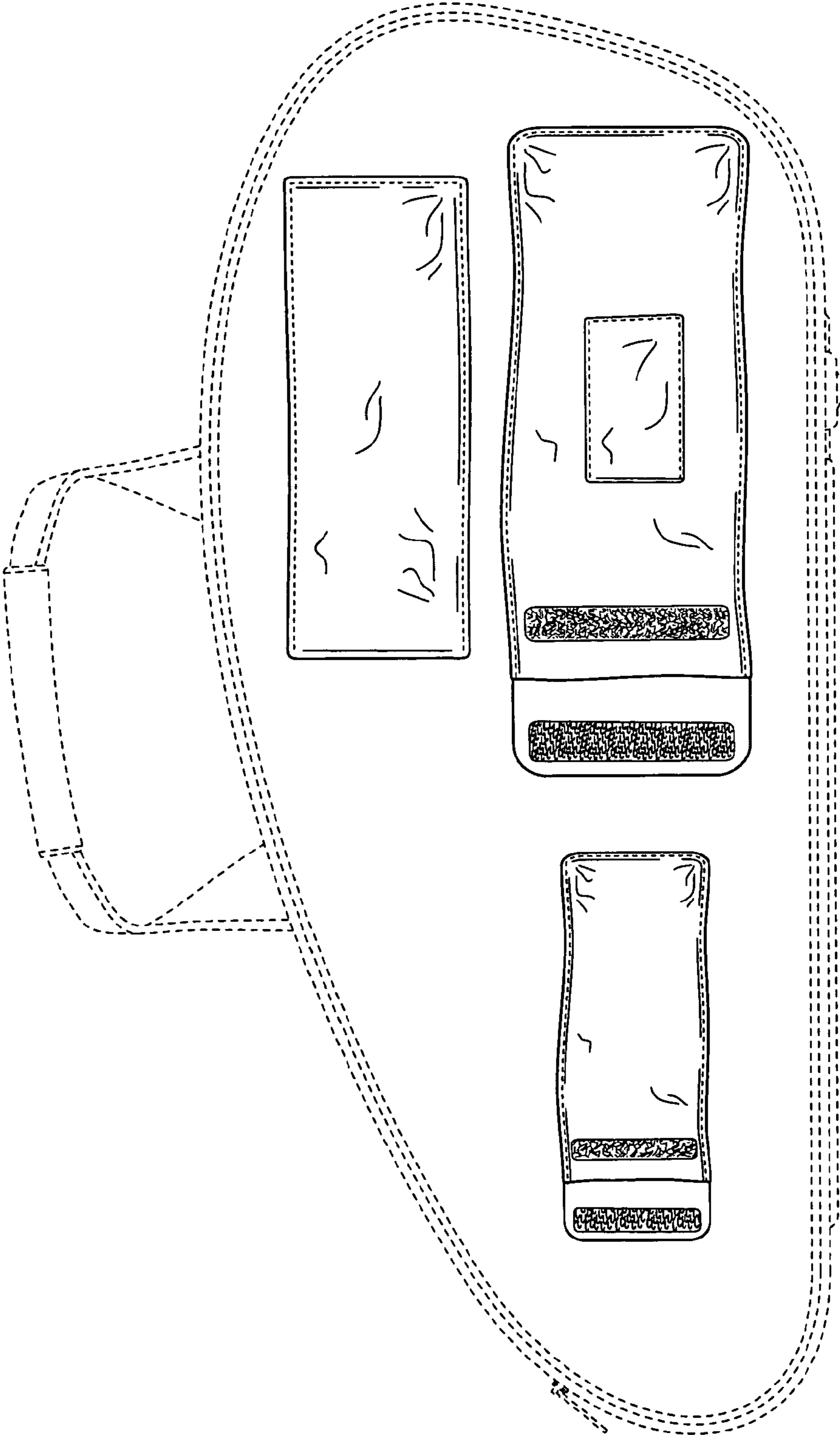


FIG. 2

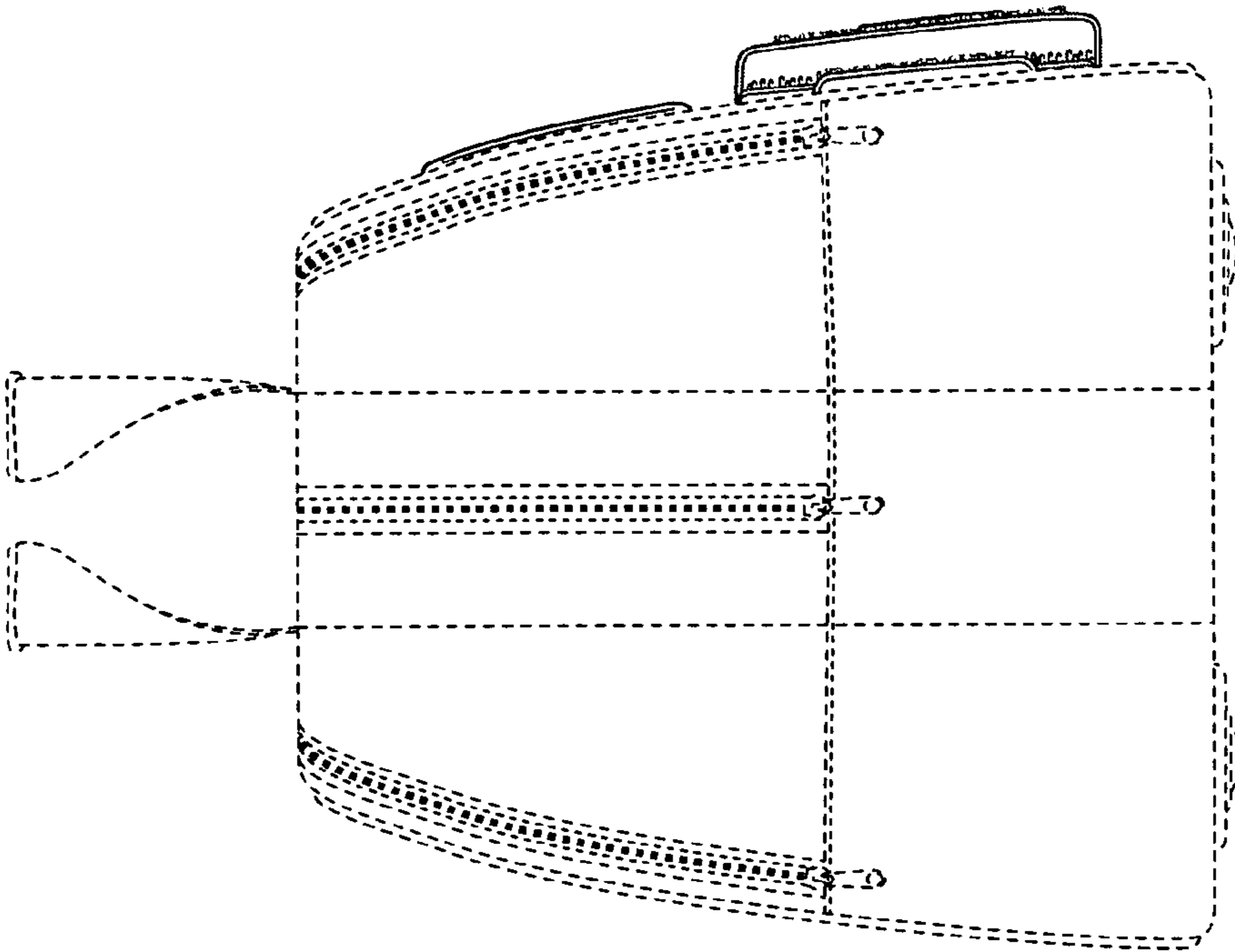


FIG. 4

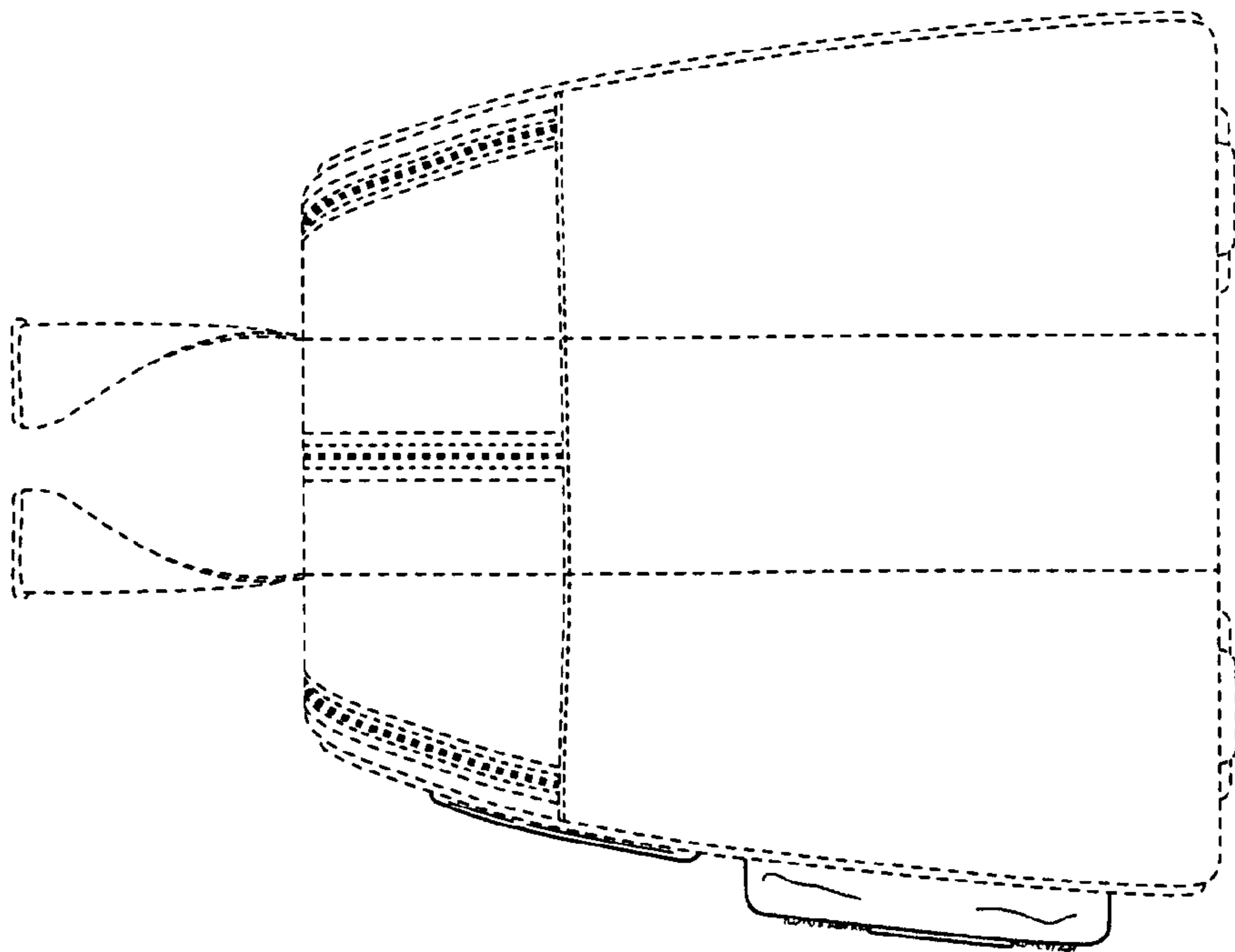


FIG. 3

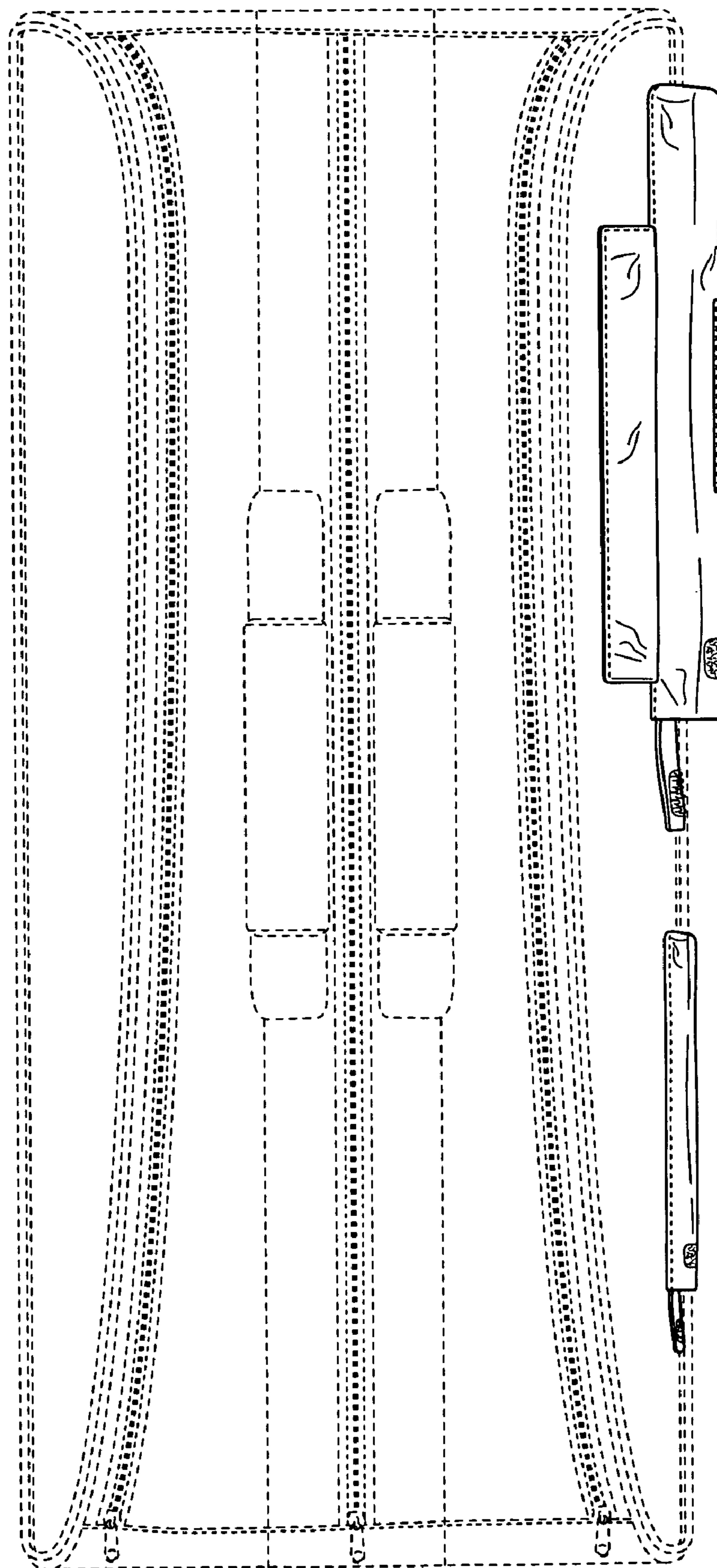


FIG. 5

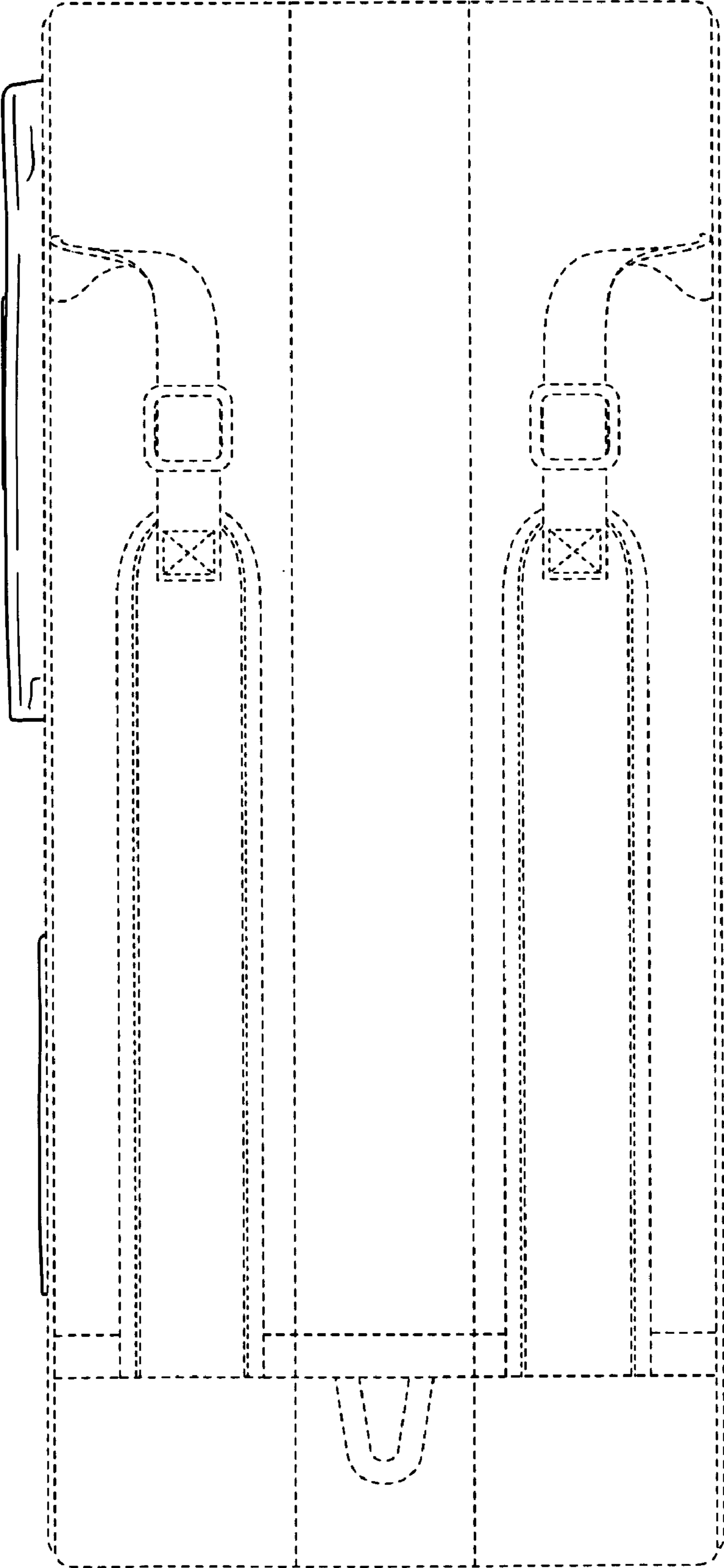


FIG. 6

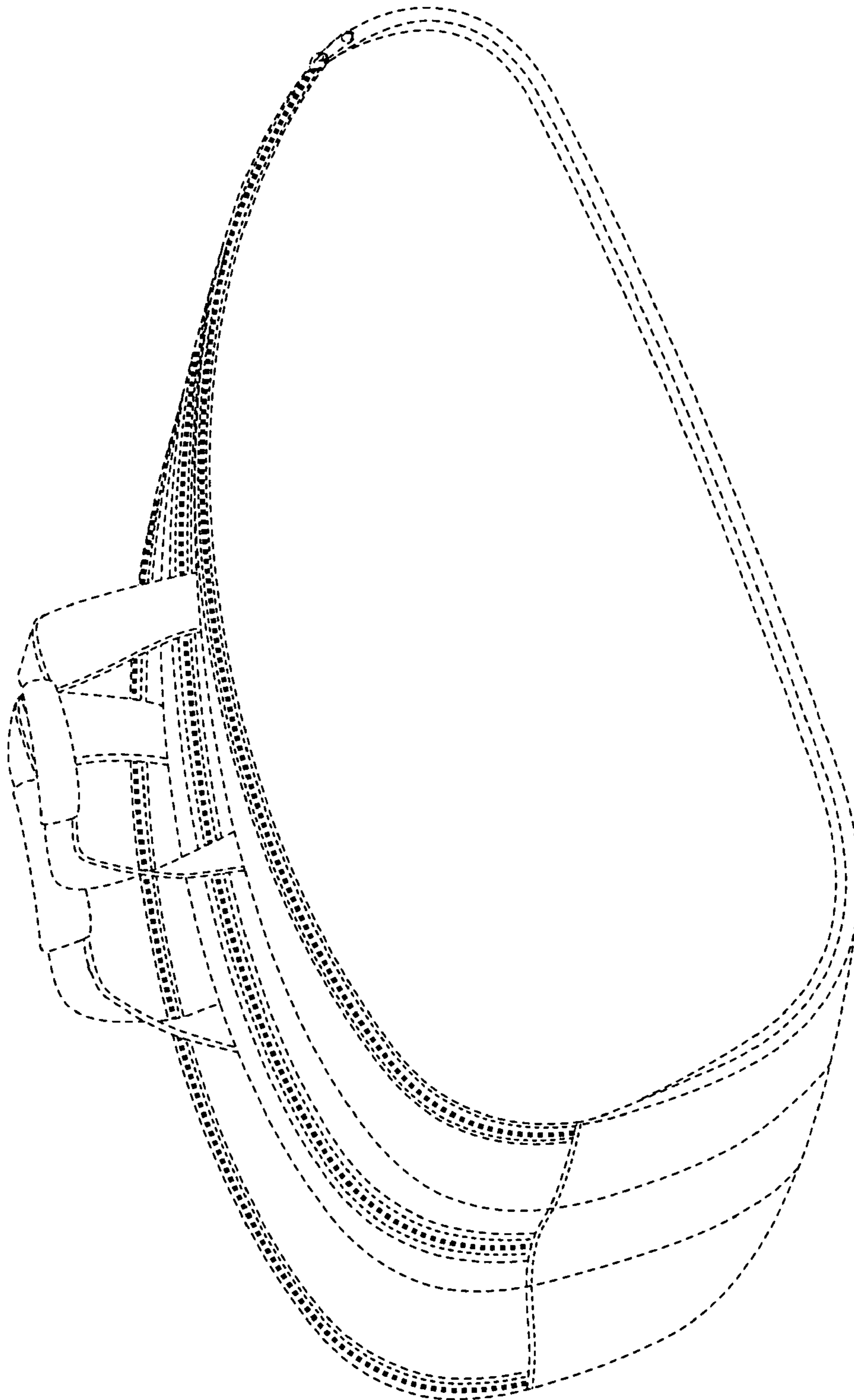


FIG. 7

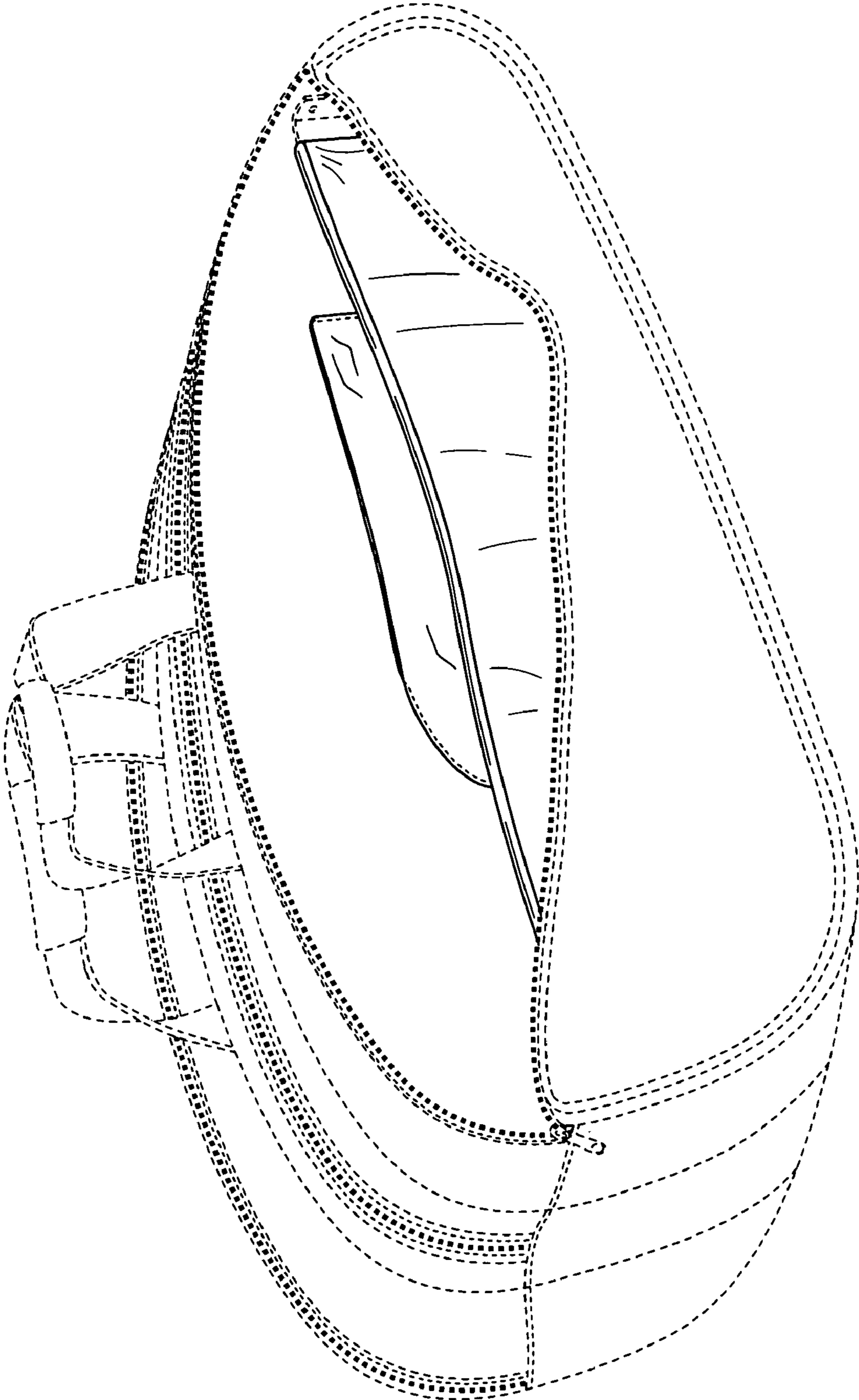


FIG. 8