



US00D592835S

(12) **United States Design Patent**
Wilson

(10) **Patent No.:** **US D592,835 S**

(45) **Date of Patent:** **** May 26, 2009**

(54) **PERFORATED BILL FOR CAPS AND VISORS**

(76) **Inventor:** **Lionel French Wilson**, 11967 Prince
Charles Ct., Cape Coral, FL (US) 33991

(**) **Term:** **14 Years**

(21) **Appl. No.:** **29/310,249**

(22) **Filed:** **Aug. 5, 2008**

(51) **LOC (9) Cl.** **02-03**

(52) **U.S. Cl.** **D2/893**

(58) **Field of Classification Search** D2/865,
D2/866, 875, 876, 878, 879, 882, 884, 891,
D2/893, 895; 2/10, 12, 171, 171.1, 183,
2/184, 195.1, 200.1, 200.2, 200.3, 209.11,
2/209.12, 209.13, 209.4, 209.5
See application file for complete search history.

(56) **References Cited**

U.S. PATENT DOCUMENTS

864,040	A *	8/1907	Sutton	40/329
1,502,856	A *	7/1924	Kaufman	2/171.5
1,503,287	A *	7/1924	Pizzutiello	2/182.8
1,689,908	A *	10/1928	Baruch	2/65
1,782,206	A *	11/1930	Kornsweet	2/12
1,843,847	A *	2/1932	Sutton	2/439
2,908,012	A *	10/1959	Feldman	43/57.1
3,077,690	A *	2/1963	Feldman	40/329
3,491,374	A *	1/1970	Frangos	2/171.3
3,766,565	A *	10/1973	Cozzens	2/209.7
4,292,689	A *	10/1981	Townsend, Jr.	2/12
D294,877	S *	3/1988	Burley	D2/893

D315,243	S *	3/1991	Ciabattari	D2/879
5,289,591	A *	3/1994	Andersen	2/411
D404,892	S *	2/1999	O'Brien	D2/872
6,158,053	A *	12/2000	Wang	2/175.1
D489,879	S *	5/2004	Lee	D2/882
6,837,590	B2 *	1/2005	Marston	362/103
D501,705	S *	2/2005	Hathaway	D2/893
D502,589	S *	3/2005	Lee	D2/876
D571,082	S *	6/2008	Kelleghan	D2/872

* cited by examiner

Primary Examiner—Elizabeth A Albert

Assistant Examiner—Karen E Eldridge Powers

(74) *Attorney, Agent, or Firm*—William E. Noonan

(57) **CLAIM**

The ornamental design for a perforated bill for caps and visors, as shown and described.

DESCRIPTION

FIG. 1 is a front elevational view of the perforated bill for caps and visors, according to the present claimed design;

FIG. 2 is a rear elevational view thereof;

FIG. 3 is a right-hand side elevational view thereof;

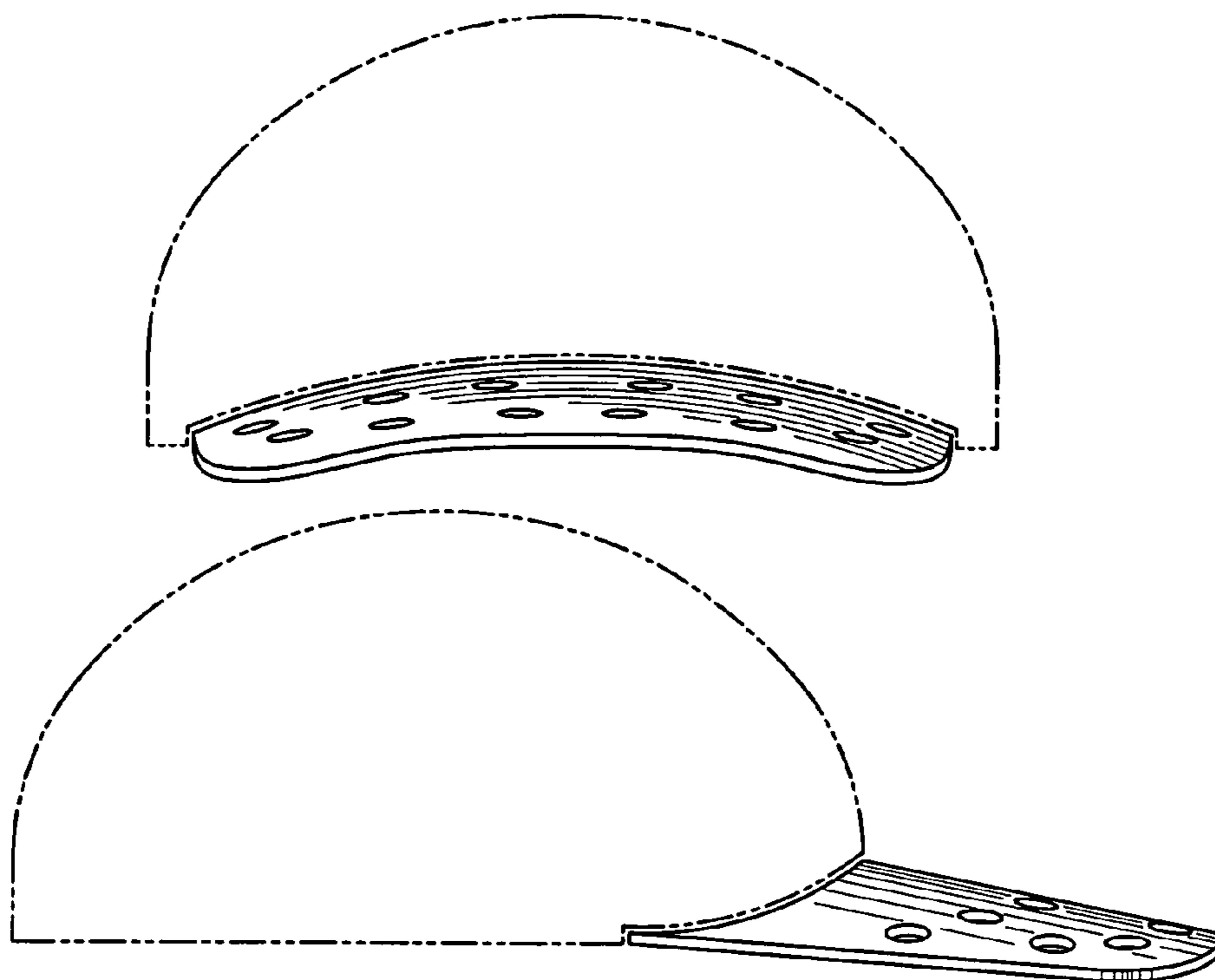
FIG. 4 is a left-hand side elevational view thereof;

FIG. 5 is a top plan view thereof; and,

FIG. 6 is a bottom plan view thereof.

The phantom lines in the drawings illustrate environmental matter and form no part of the claimed design.

1 Claim, 3 Drawing Sheets



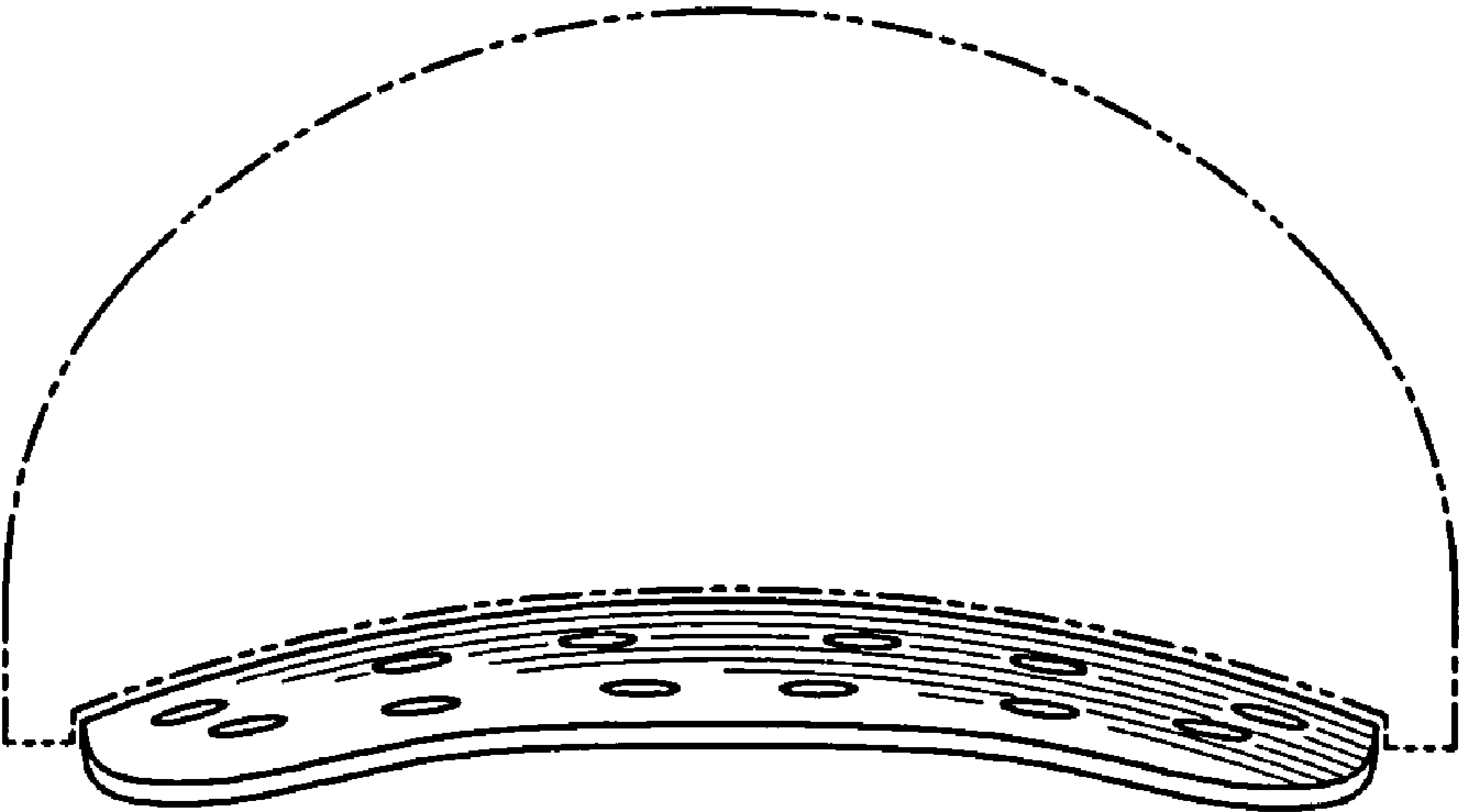


Fig. 1

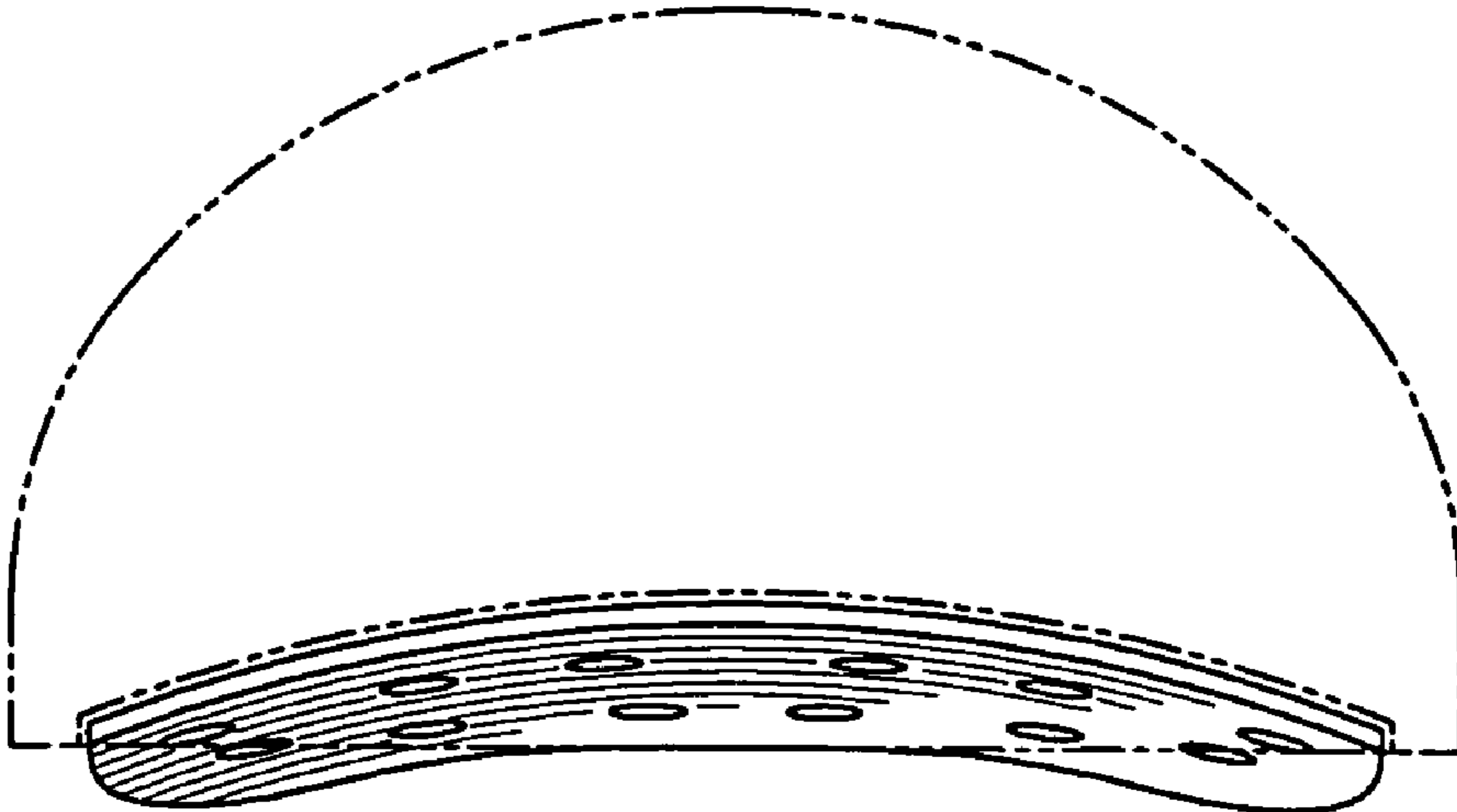


Fig. 2

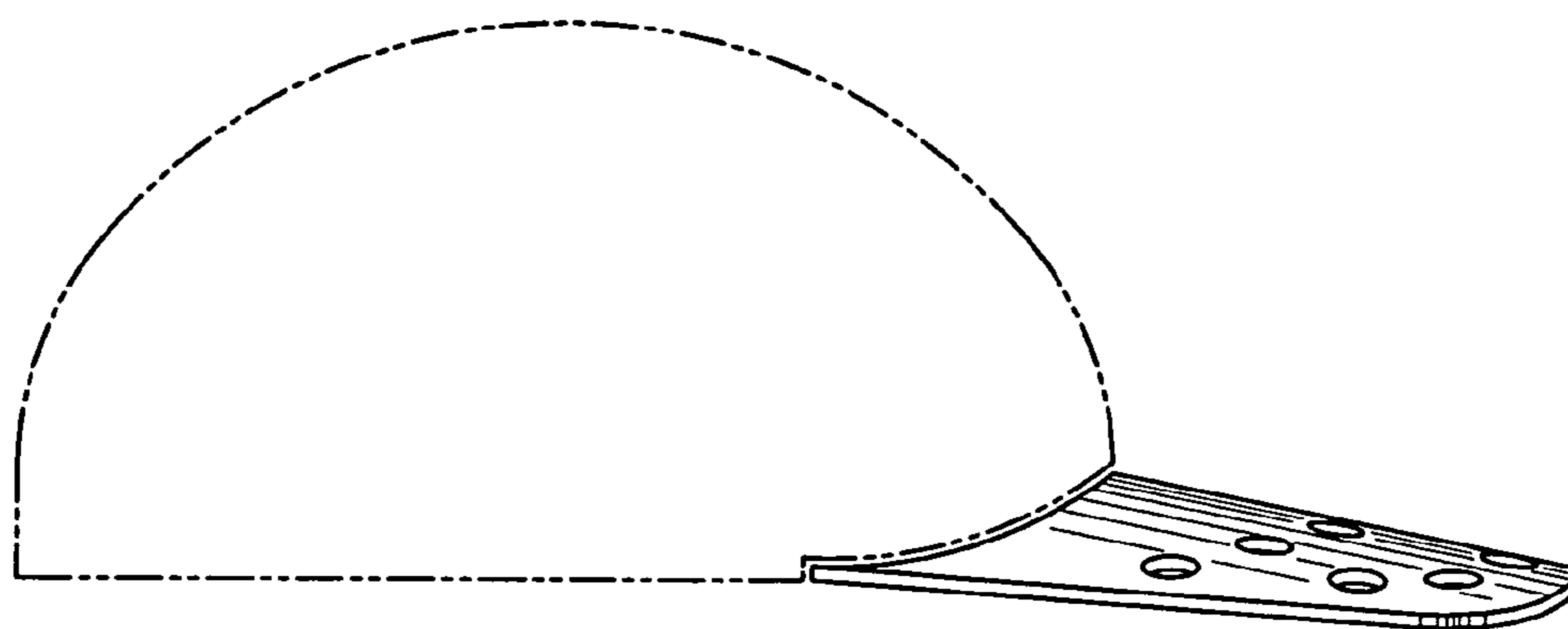


Fig. 3

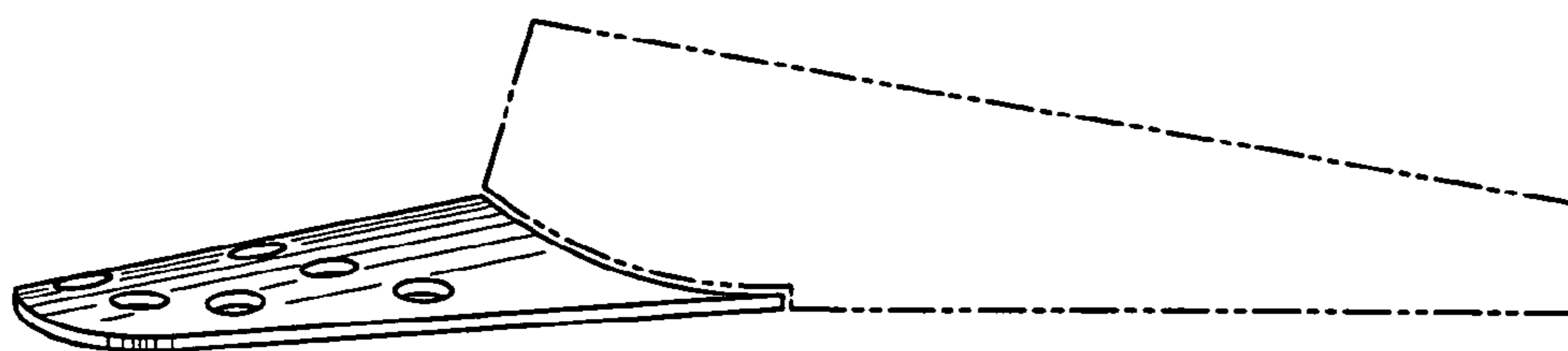


Fig. 4

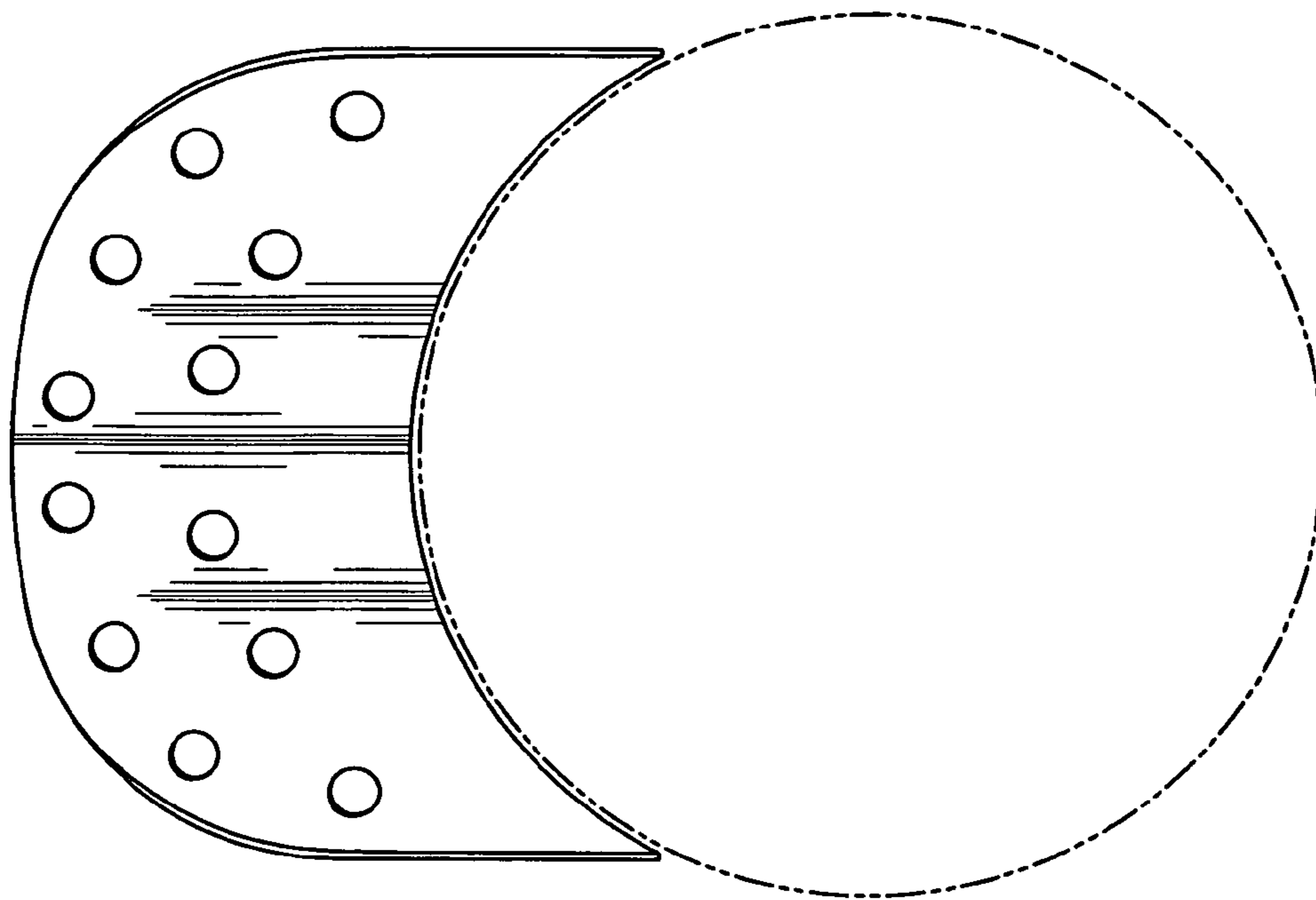


Fig. 6

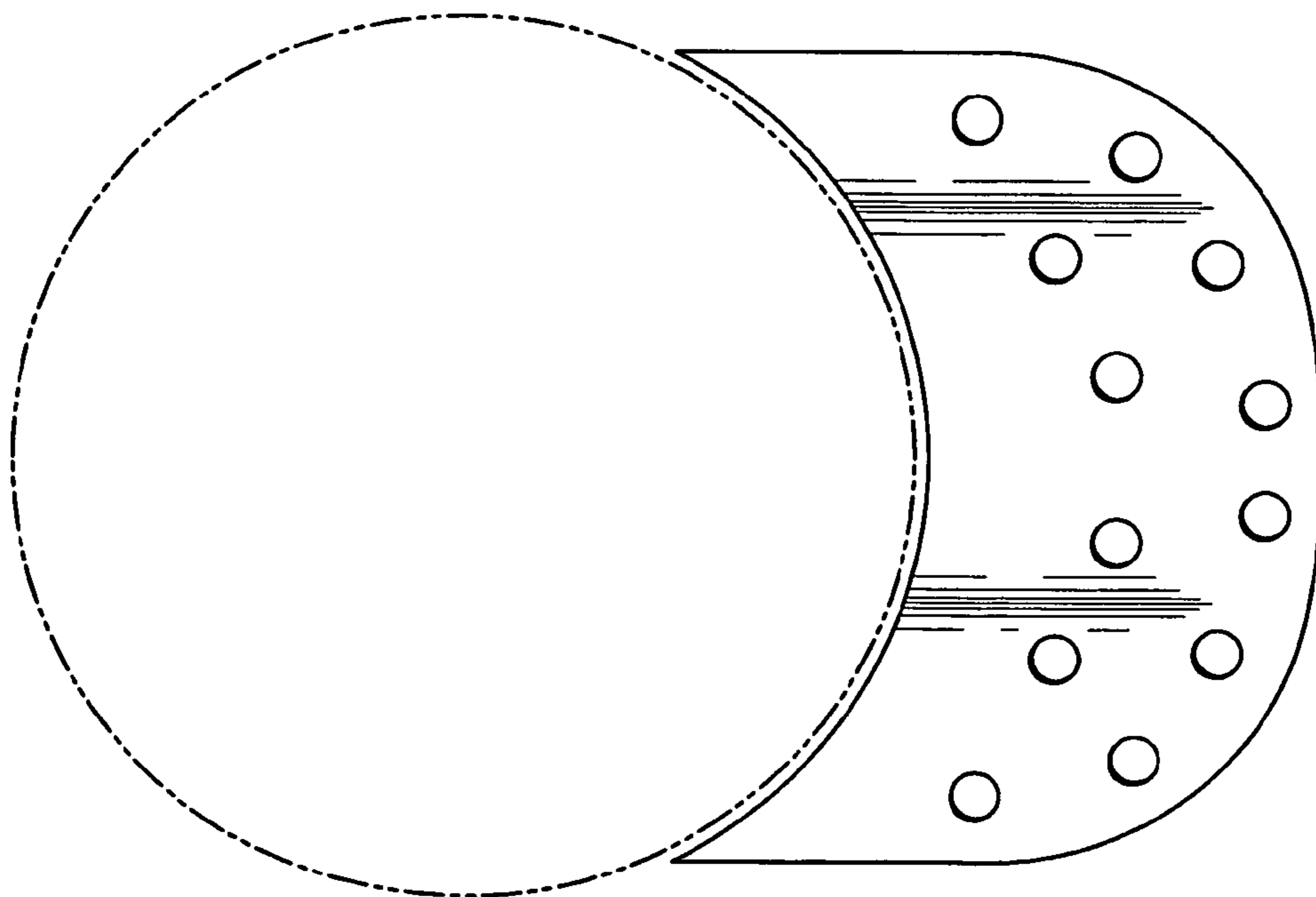


Fig. 5