



US00D592834S

(12) **United States Design Patent**
Keiser

(10) **Patent No.:** **US D592,834 S**

(45) **Date of Patent:** **** May 26, 2009**

(54) **BILLED CAP WITH SIDE GLARE SHIELDING**

(76) Inventor: **Lee A. Keiser**, 600 Elkinford, White Lake, MI (US) 48383

(**) Term: **14 Years**

(21) Appl. No.: **29/308,940**

(22) Filed: **Jul. 16, 2008**

(51) **LOC (9) Cl.** **02-03**

(52) **U.S. Cl.** **D2/884**

(58) **Field of Classification Search** D2/865, D2/866, 871, 872, 873, 875, 876, 879; 2/10, 2/12, 171, 171.1, 172, 173, 183, 184, 195.1, 2/195.2, 195.3, 206, 209.11, 209.12, 209.13, 2/209.4, 209.5

See application file for complete search history.

(56) **References Cited**

U.S. PATENT DOCUMENTS

D282,308 S *	1/1986	Kain	D29/109
4,839,924 A *	6/1989	Laurence	2/195.1
D302,608 S *	8/1989	LaPierre	D29/109
D360,519 S *	7/1995	Bailey	D2/876
D396,945 S *	8/1998	Glass	D2/893
5,884,334 A *	3/1999	Collette et al.	2/195.1
5,901,371 A *	5/1999	Lee	2/10
6,079,052 A *	6/2000	Veridiano	2/172
D487,329 S *	3/2004	Prinz	D2/882
D488,292 S *	4/2004	Haggberg	D2/866
D501,290 S *	2/2005	Zuloff	D2/866
D530,487 S *	10/2006	Alvarez-Calderon	D2/882
D543,014 S *	5/2007	Sharpe et al.	D2/884

2004/0123376 A1* 7/2004 Wang 2/171.1

* cited by examiner

Primary Examiner—Elizabeth A. Albert

Assistant Examiner—Karen E Eldridge Powers

(74) *Attorney, Agent, or Firm*—John R. Benefiel

(57) **CLAIM**

The ornamental design for billed cap with side glare shielding, as shown and described.

DESCRIPTION

FIG. 1 is a perspective view of a billed cap with side glare shielding according to the present invention;

FIG. 2 is a side elevation view thereof;

FIG. 3 is a front elevation view thereof;

FIG. 4 is a rear elevation view thereof;

FIG. 5 is a top plan view thereof; and,

FIG. 6 is a bottom plan view thereof.

The wearer's head depicted in long-short-short broken lines in FIG. 2 illustrates environmental matter, and forms no part of the claimed design. The broken lines shown with uniform segments along the seams and edges of the crown of the claimed design are stitching, and form no part of the claimed design.

The cross-hatching that occurs intermittently on the crown of the claimed design represents a woven texture, and is understood to extend across the entirety of the surface upon which it occurs. The stippling on the size adjustment strap represents hook-and-loop fastening.

1 Claim, 3 Drawing Sheets

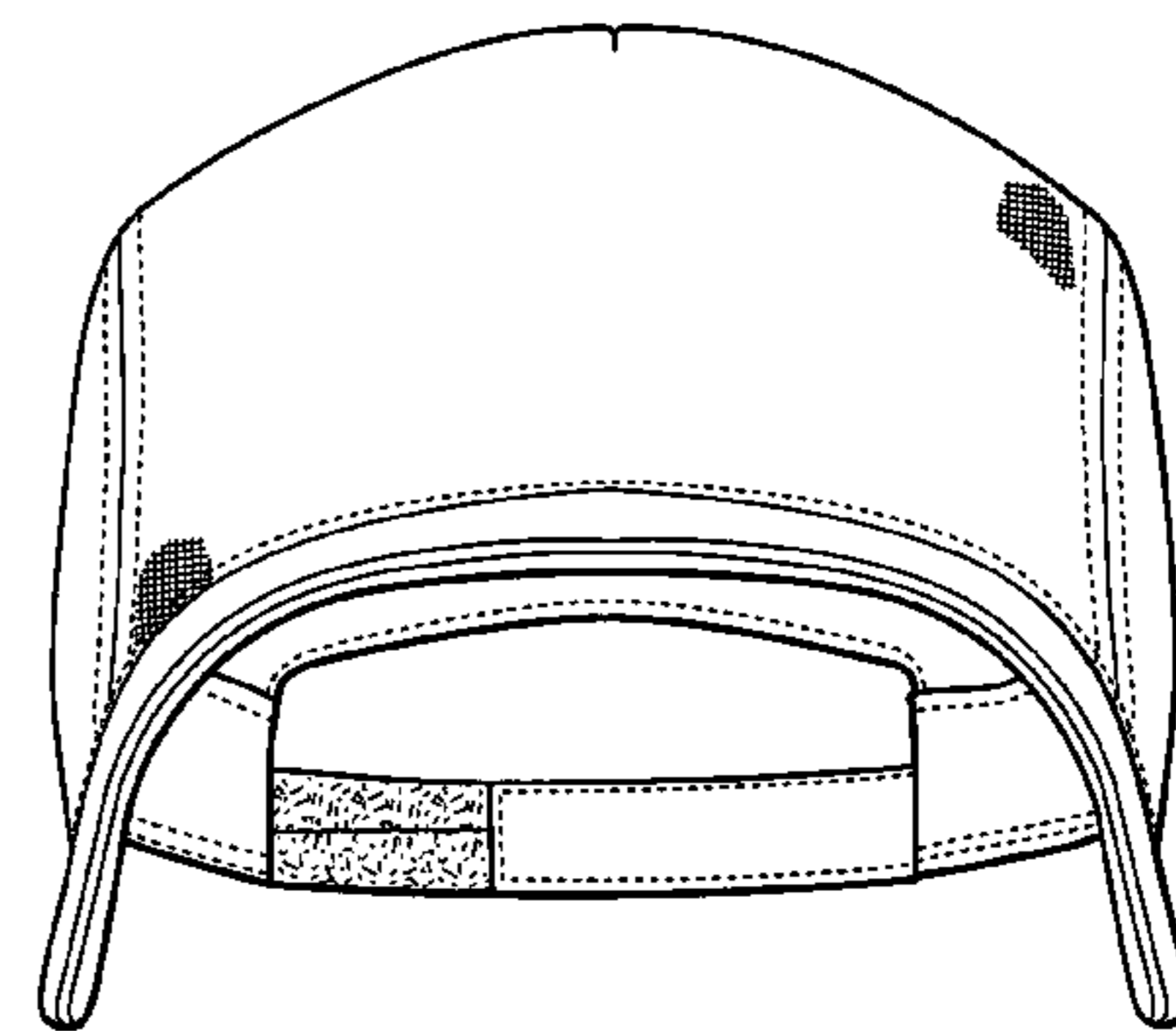
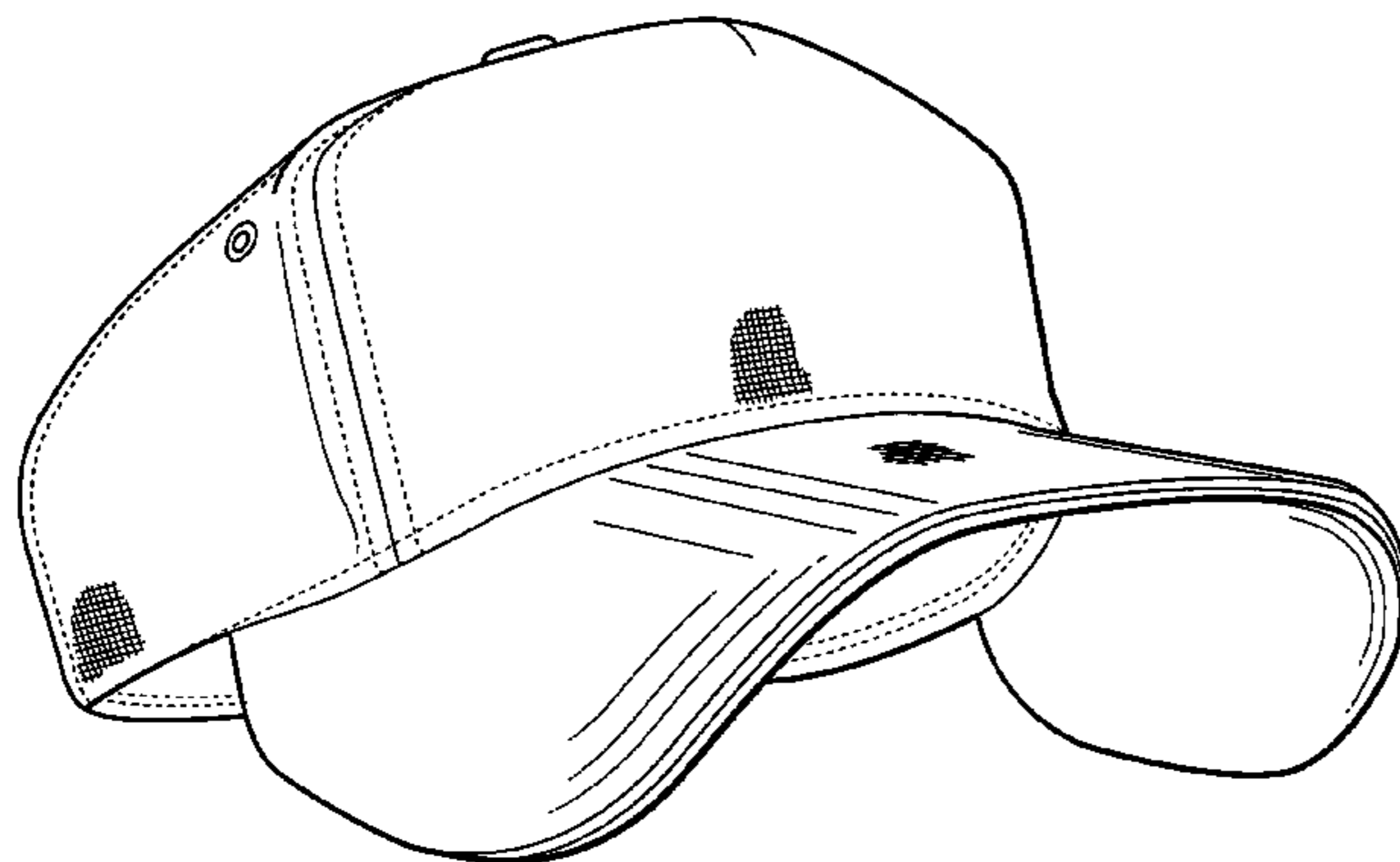


FIG - 1

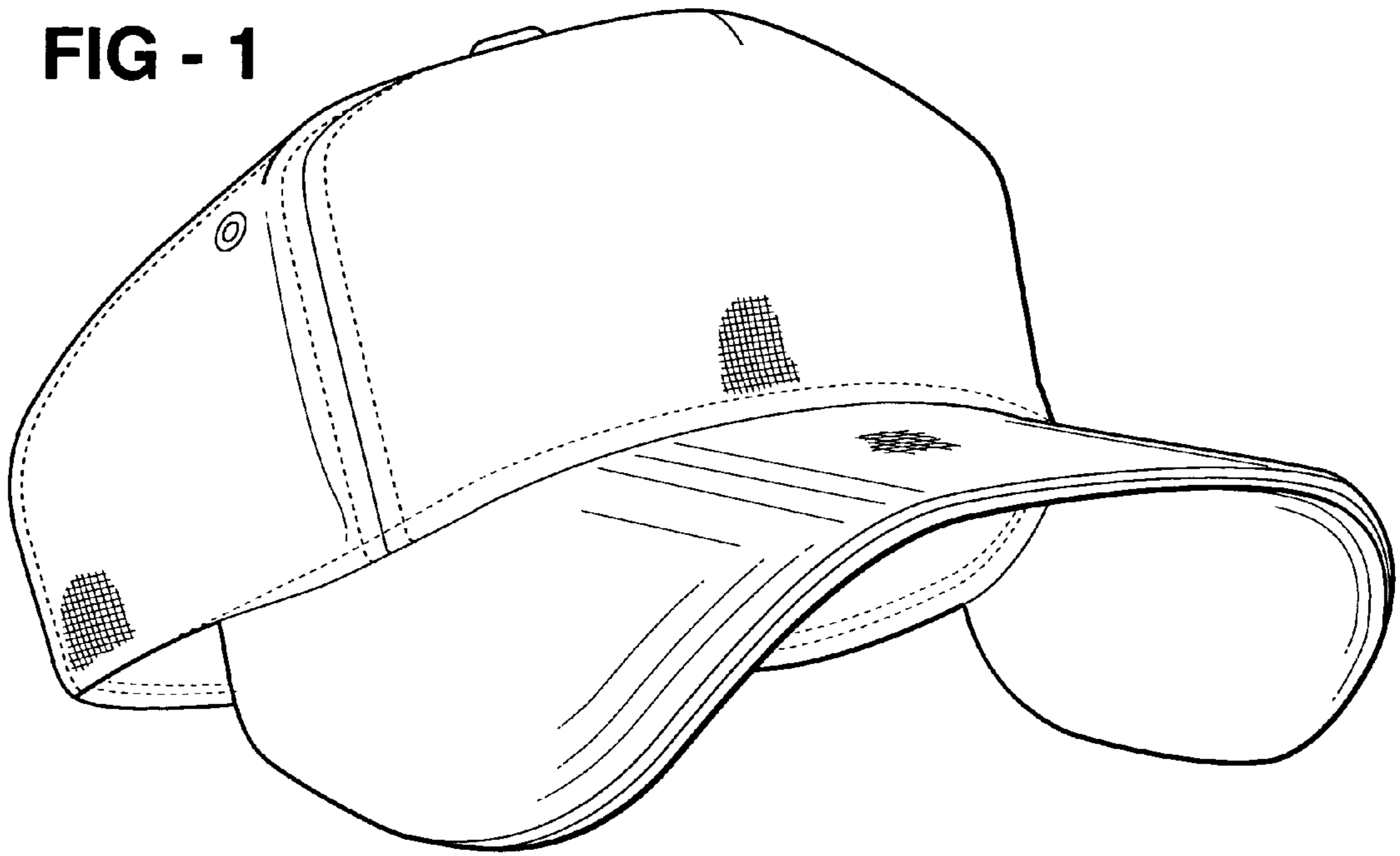


FIG - 2

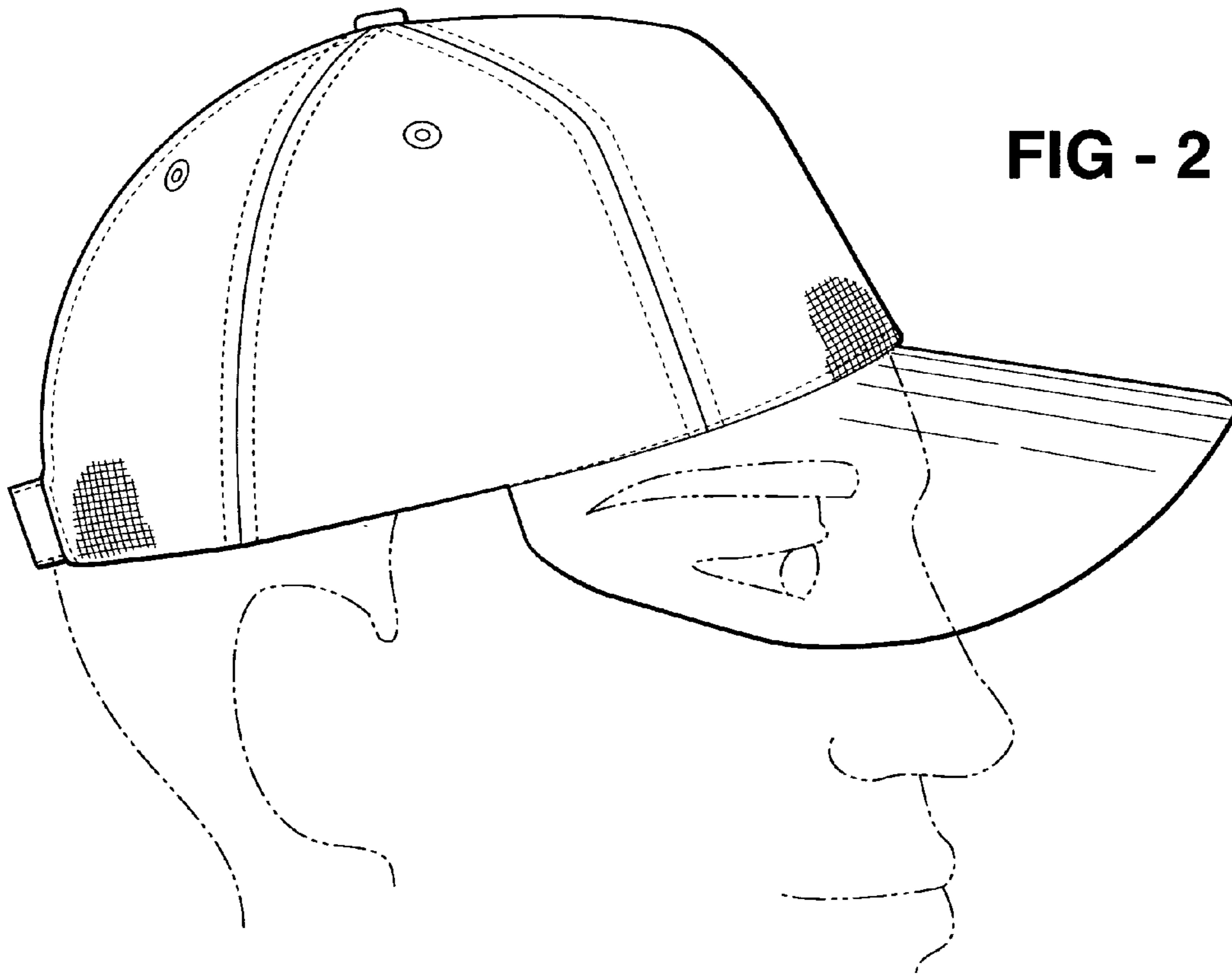


FIG - 3

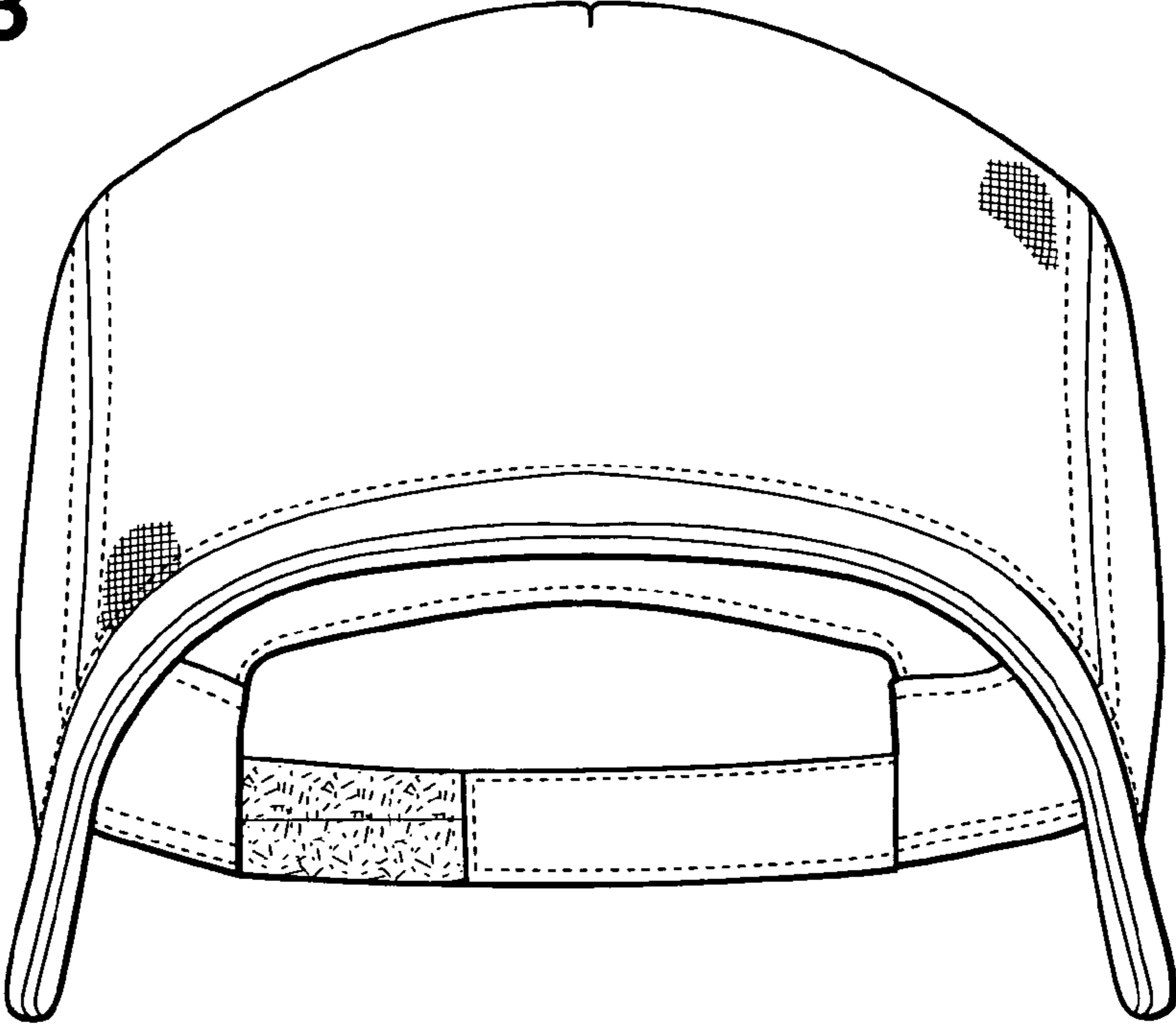


FIG - 4

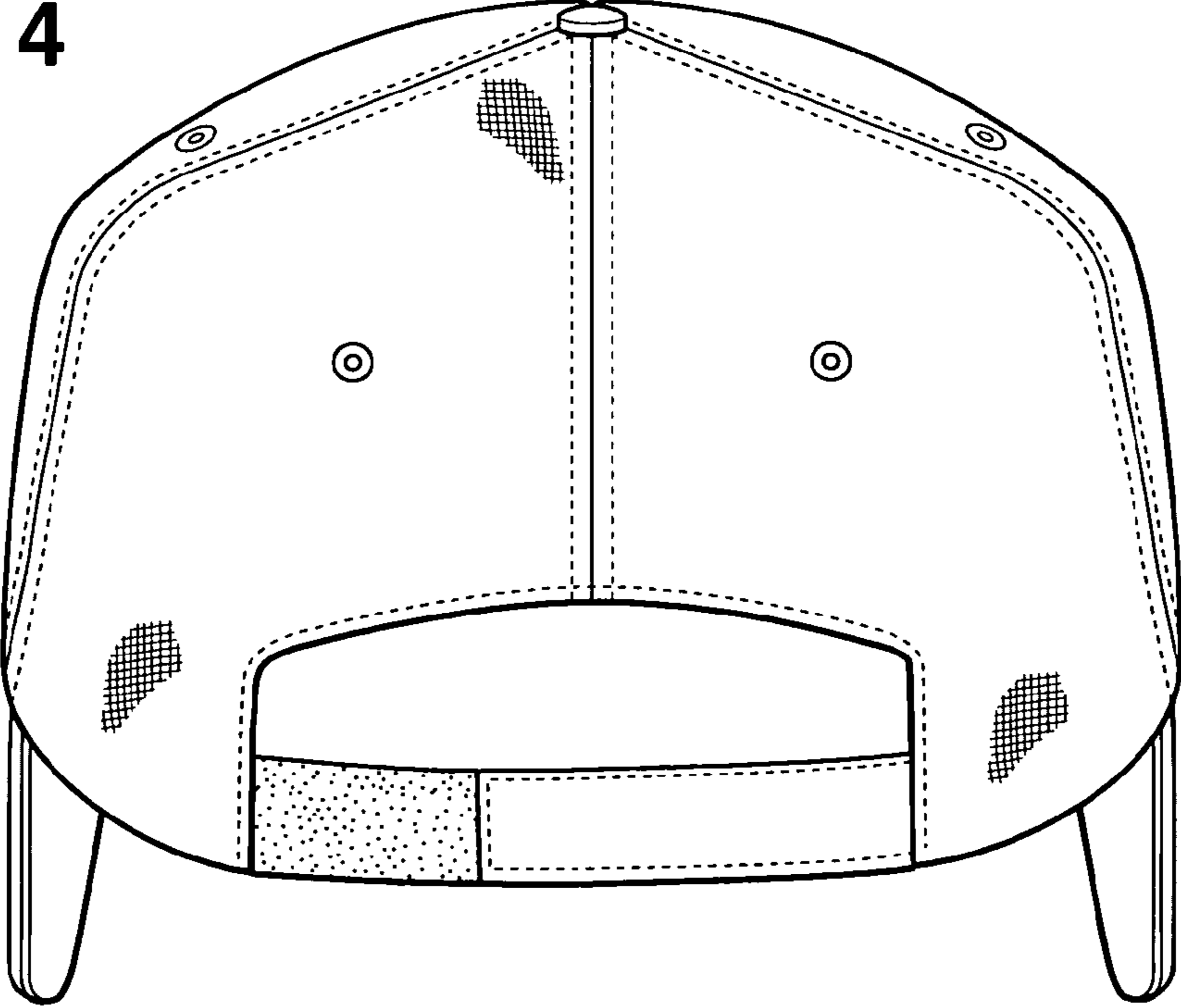


FIG - 5

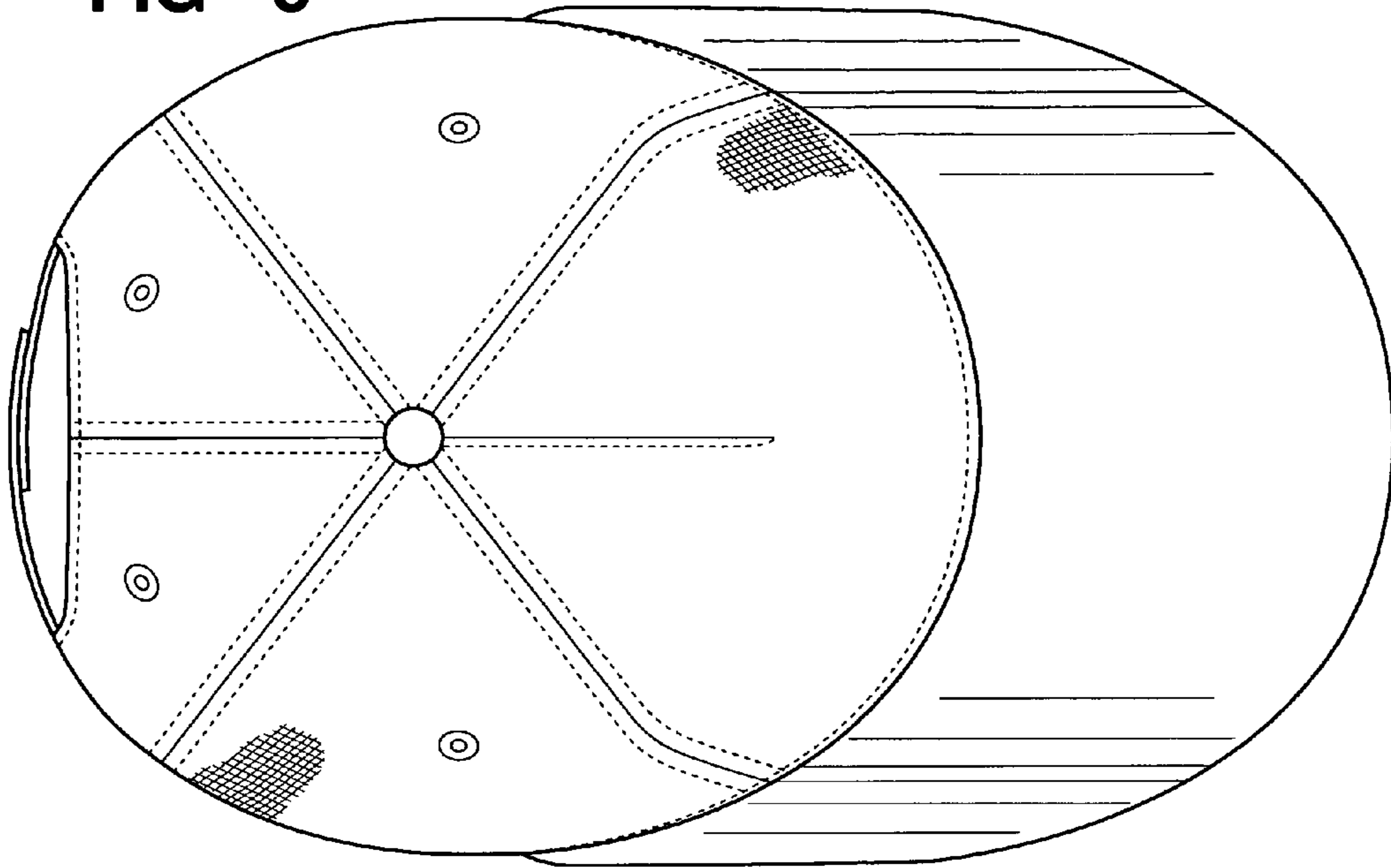


FIG - 6

