

US00D592828S

(12) **United States Design Patent**
Corazon

(10) **Patent No.:** **US D592,828 S**

(45) **Date of Patent:** **** May 26, 2009**

(54) **SHIRT COLLAR**

(76) **Inventor:** **Baruc Corazon**, Plaza Mayor n° 30,
4°B, Madrid (ES) 28012

(**) **Term:** **14 Years**

(21) **Appl. No.:** **29/285,261**

(22) **Filed:** **Mar. 26, 2007**

(30) **Foreign Application Priority Data**

Oct. 4, 2006 (EM) 000599758-0001

(51) **LOC (9) Cl.** **02-01**

(52) **U.S. Cl.** **D2/602**

(58) **Field of Classification Search** D2/600,
D2/602, 717, 840–842, 844, 847, 853; 2/113–116,
2/127, 129

See application file for complete search history.

(56) **References Cited**

U.S. PATENT DOCUMENTS

1,076,381	A *	10/1913	Lever	2/127
1,370,600	A *	3/1921	Lewis	2/127
1,696,450	A *	12/1928	Potts	2/127
1,758,766	A *	5/1930	Staples	2/127
2,087,532	A *	7/1937	Shepherd	2/127
2,500,985	A *	3/1950	Goetz	2/127

3,068,486	A *	12/1962	Johanna	2/129
3,393,406	A *	7/1968	Hollinger et al.	2/129
5,274,853	A *	1/1994	Millican	2/141.2
D566,928	S *	4/2008	Flick	D2/840
2007/0033702	A1 *	2/2007	Hsu	2/129

* cited by examiner

Primary Examiner—T. Chase Nelson

Assistant Examiner—Kathleen M Sims

(74) *Attorney, Agent, or Firm*—Merchant & Gould P.C.

(57) **CLAIM**

The ornamental design for a shirt collar, as shown and described.

DESCRIPTION

FIG. 1 is a front perspective view of a shirt collar showing my new design;

FIG. 2 is a rear elevational view thereof; and,

FIG. 3 is a top plan view of the shirt collar that is laid flat.

The broken line showing of a shirt FIGS. 1 and 2 is included for the purpose of showing the environment of the shirt collar and forms no part of the claimed design.

The dashed lines shown on the shirt collar represent conventional stitching.

1 Claim, 2 Drawing Sheets

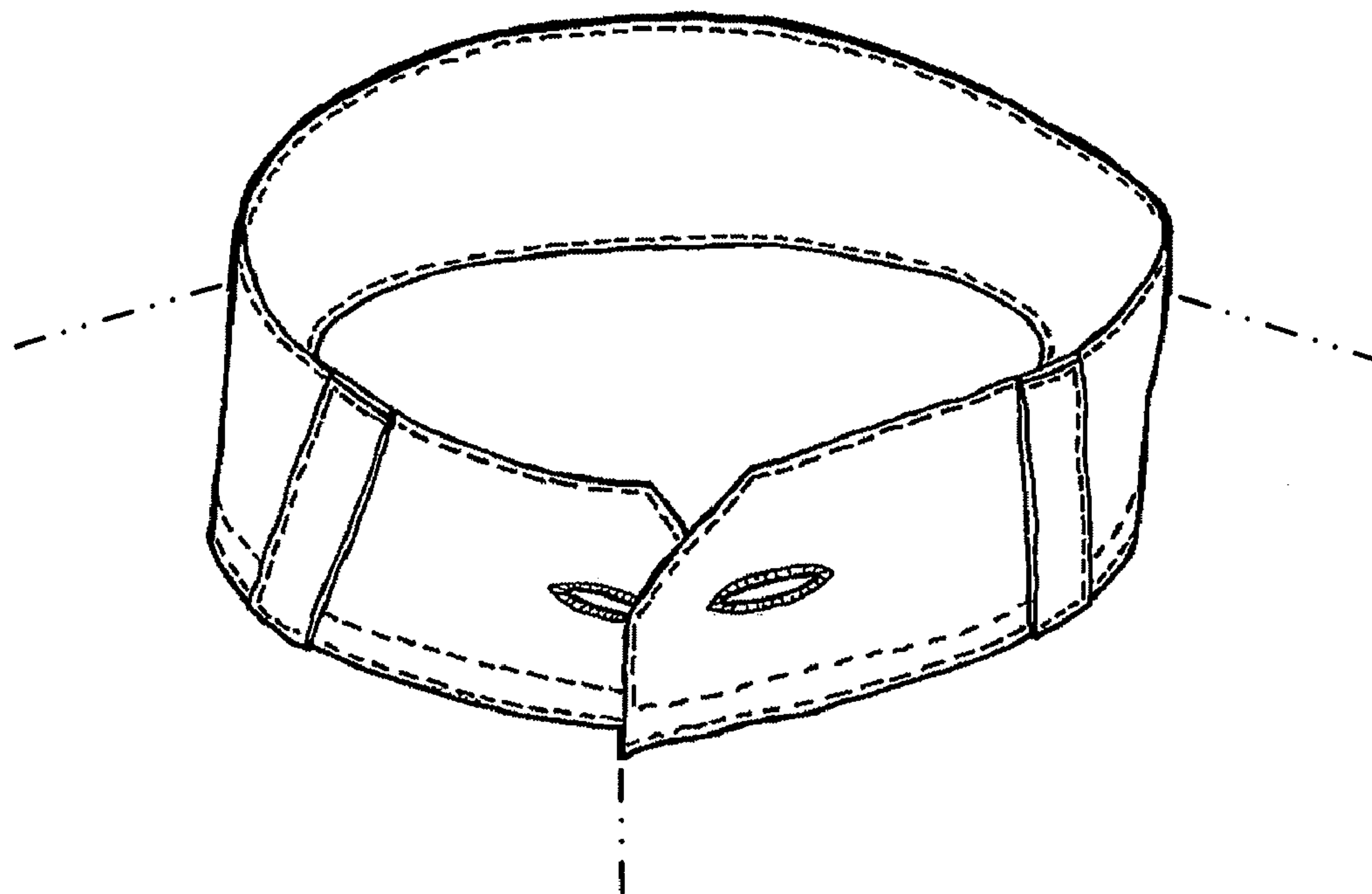


FIG. 1

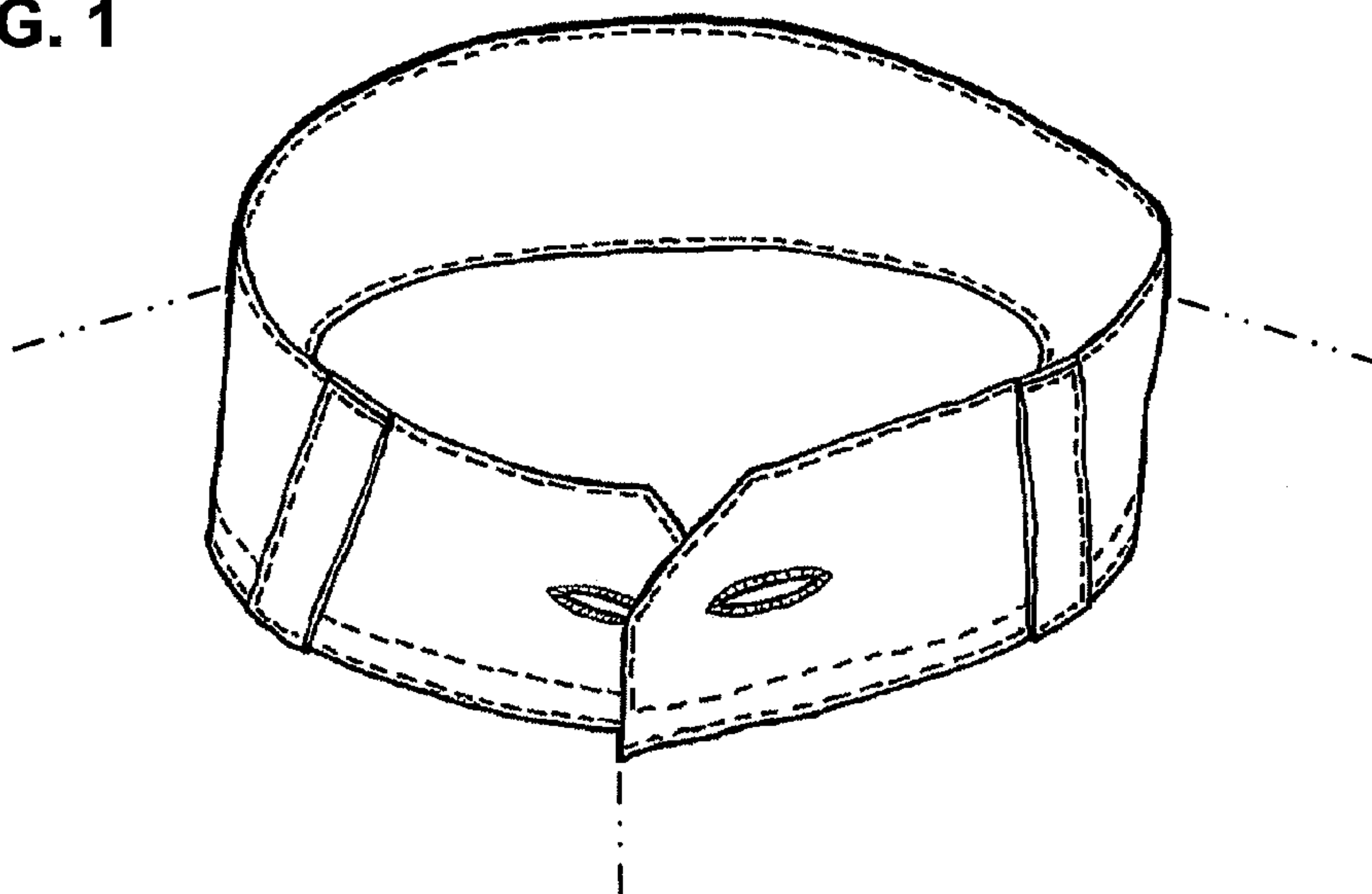


FIG. 2

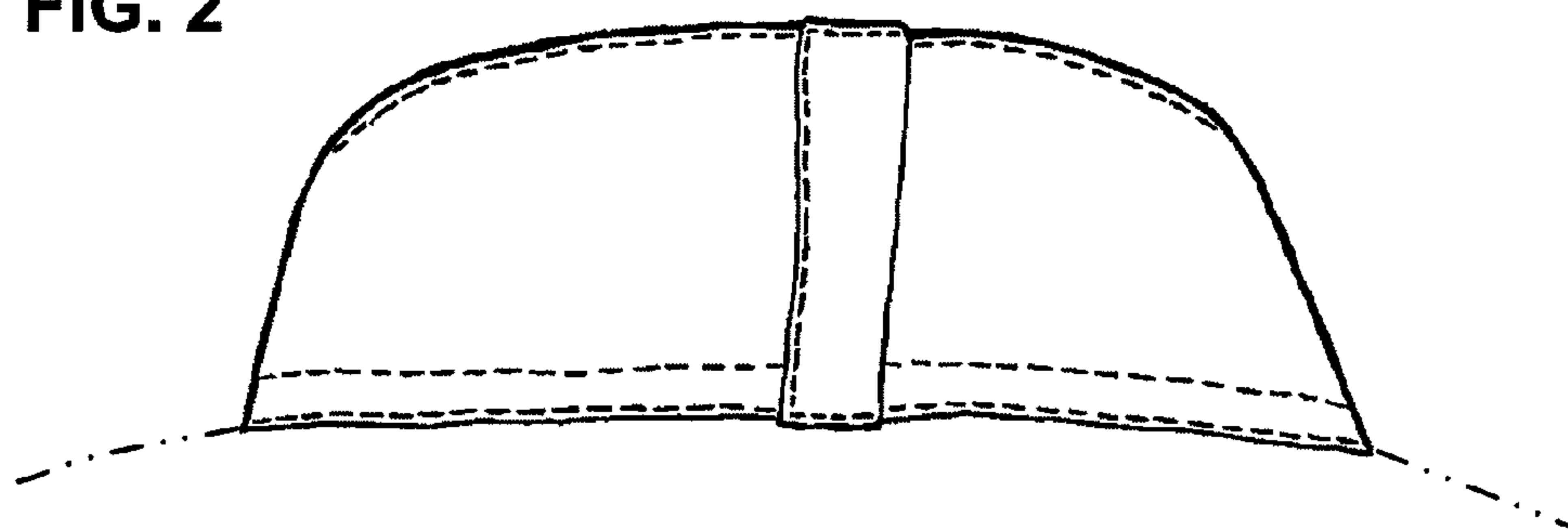


FIG. 3

