

US00D592824S

(12) **United States Design Patent**  
**Mori et al.**

(10) **Patent No.:** **US D592,824 S**

(45) **Date of Patent:** **\*\* May 19, 2009**

(54) **FORKLIFT TRUCK**

(75) Inventors: **Hiroki Mori**, Kariya (JP); **Tomomichi Miura**, Kariya (JP); **Masanori Shinoda**, Kariya (JP); **Takahito Miyake**, Kariya (JP)

(73) Assignee: **Kabushiki Kaisha Toyota Jidoshokki** (JP)

(\*\*) Term: **14 Years**

(21) Appl. No.: **29/307,750**

(22) Filed: **May 8, 2008**

**Related U.S. Application Data**

(62) Division of application No. 29/266,924, filed on Sep. 29, 2006, now Pat. No. Des. 578,271.

(30) **Foreign Application Priority Data**

Mar. 31, 2006 (JP) ..... 2006-008561  
Mar. 31, 2006 (JP) ..... 2006-008562  
Mar. 31, 2006 (JP) ..... 2006-008563

(51) **LOC (9) Cl.** ..... **12-05**

(52) **U.S. Cl.** ..... **D34/35**

(58) **Field of Classification Search** ..... D34/34,  
D34/35, 37; 180/89.12, 89.13, 89.17; 187/222,  
187/237, 238, 414

See application file for complete search history.

(56) **References Cited**

**U.S. PATENT DOCUMENTS**

D412,385 S 7/1999 Murakami et al.  
D427,409 S \* 6/2000 Sato et al. .... D34/34  
D444,607 S 7/2001 Yurushi et al.  
D448,136 S 9/2001 Yurushi et al.  
D452,598 S 12/2001 Sato  
D464,784 S 10/2002 Sato  
D466,669 S 12/2002 Kraimer et al.  
D468,885 S 1/2003 Salin et al.

D471,340 S 3/2003 Shibata et al.  
D471,689 S 3/2003 Shibata et al.  
D492,831 S 7/2004 Kouyama  
D518,268 S 3/2006 Stark  
D526,460 S 8/2006 Goto et al.  
D551,423 S 9/2007 Kodama et al.  
D555,872 S 11/2007 Brown  
D557,474 S 12/2007 Kouyama et al.

**FOREIGN PATENT DOCUMENTS**

JP 1053353-2 11/1999

**OTHER PUBLICATIONS**

Japanese Office Action dated Jan. 5, 2007, Application No. 2006-008561 (without English translation).

\* cited by examiner

*Primary Examiner*—Cynthia E Ramirez

(74) *Attorney, Agent, or Firm*—Locke Lord Bissell & Liddell

(57) **CLAIM**

The ornamental design for a forklift truck, as shown and described.

**DESCRIPTION**

FIG. 1 is a front perspective view showing our new design;

FIG. 2 is a front perspective view thereof;

FIG. 3 is a front view thereof;

FIG. 4 is a rear view thereof;

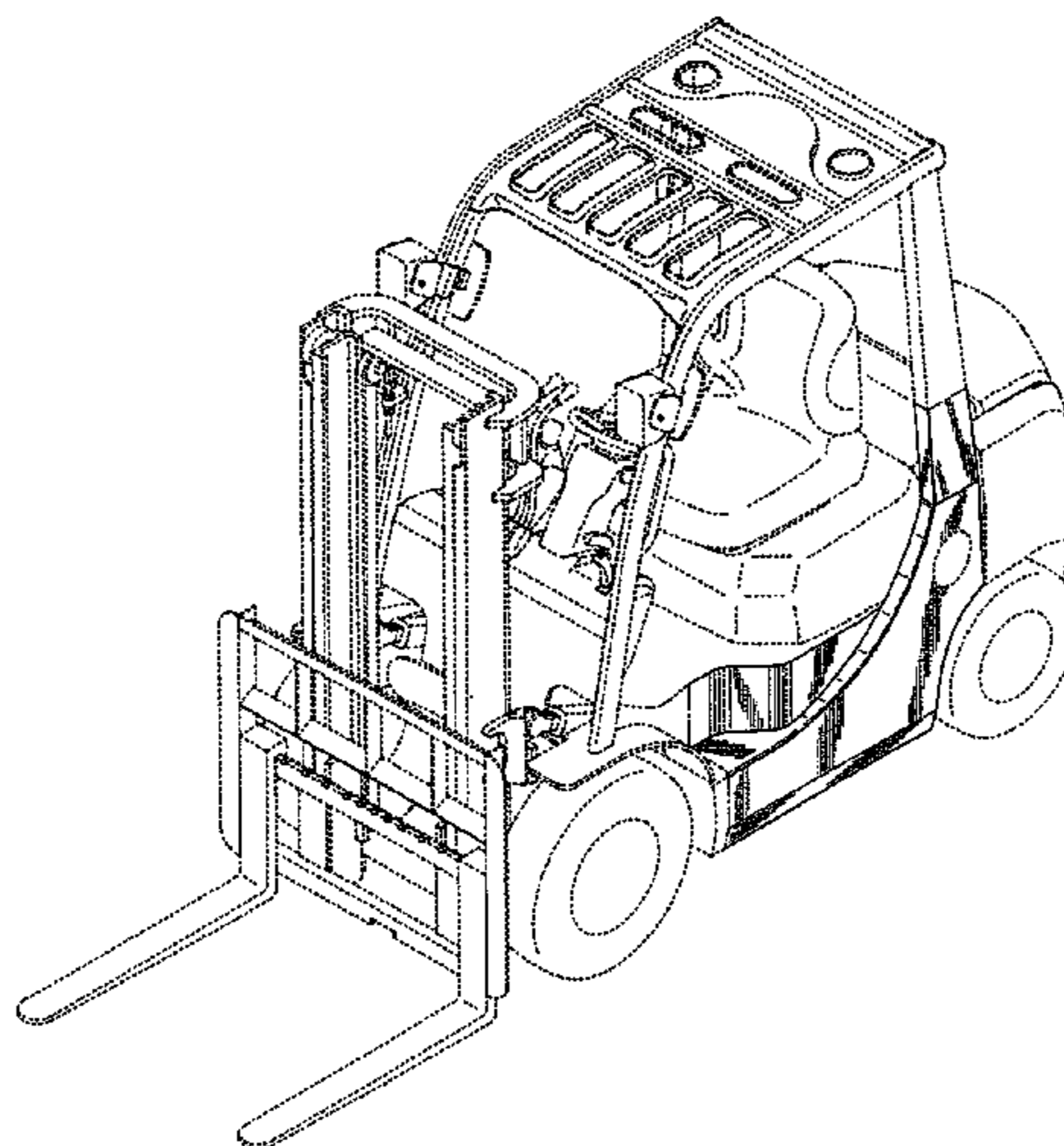
FIG. 5 is a top plan view thereof;

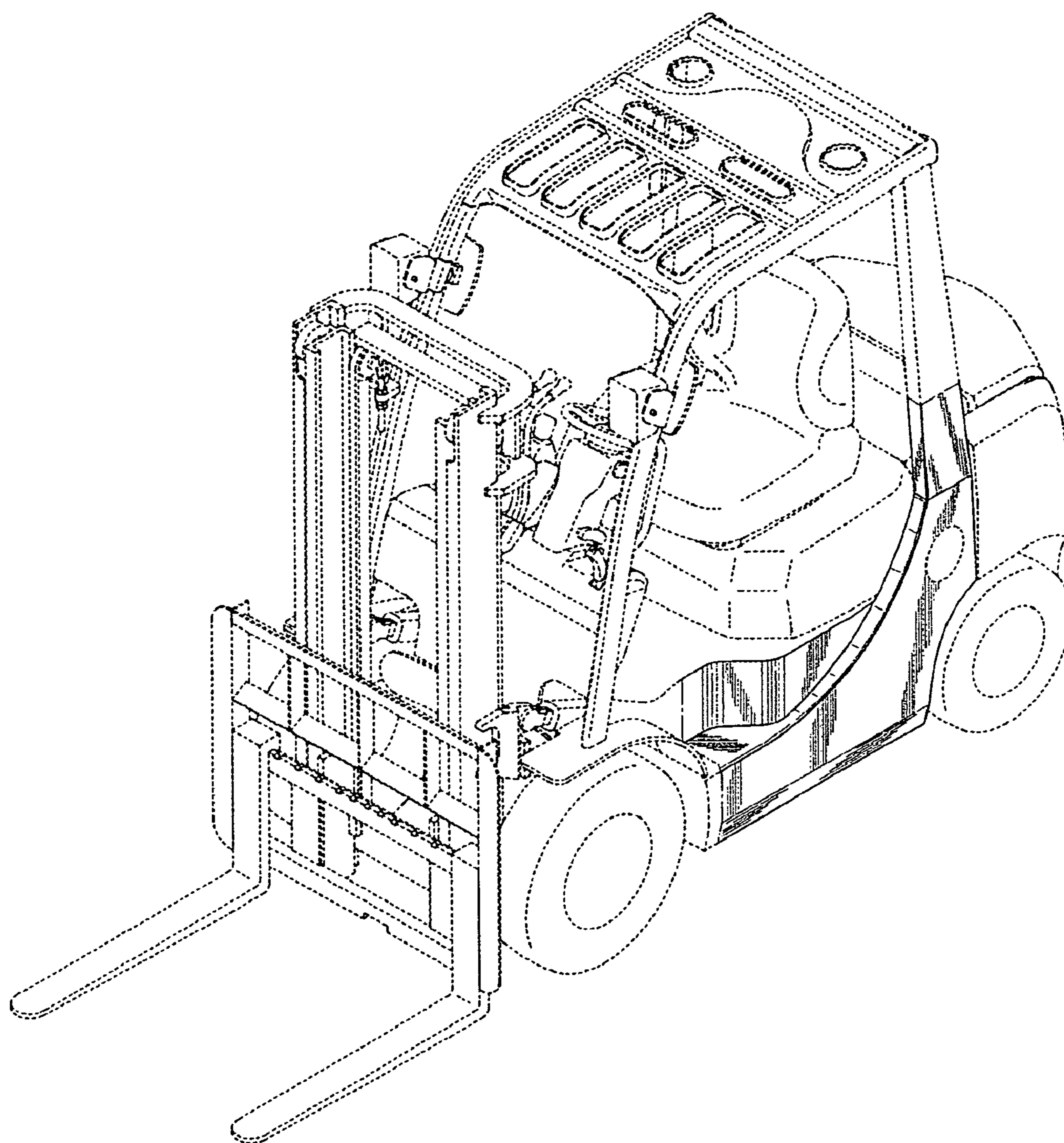
FIG. 6 is a right side elevational view thereof; and,

FIG. 7 is a left side elevational view thereof.

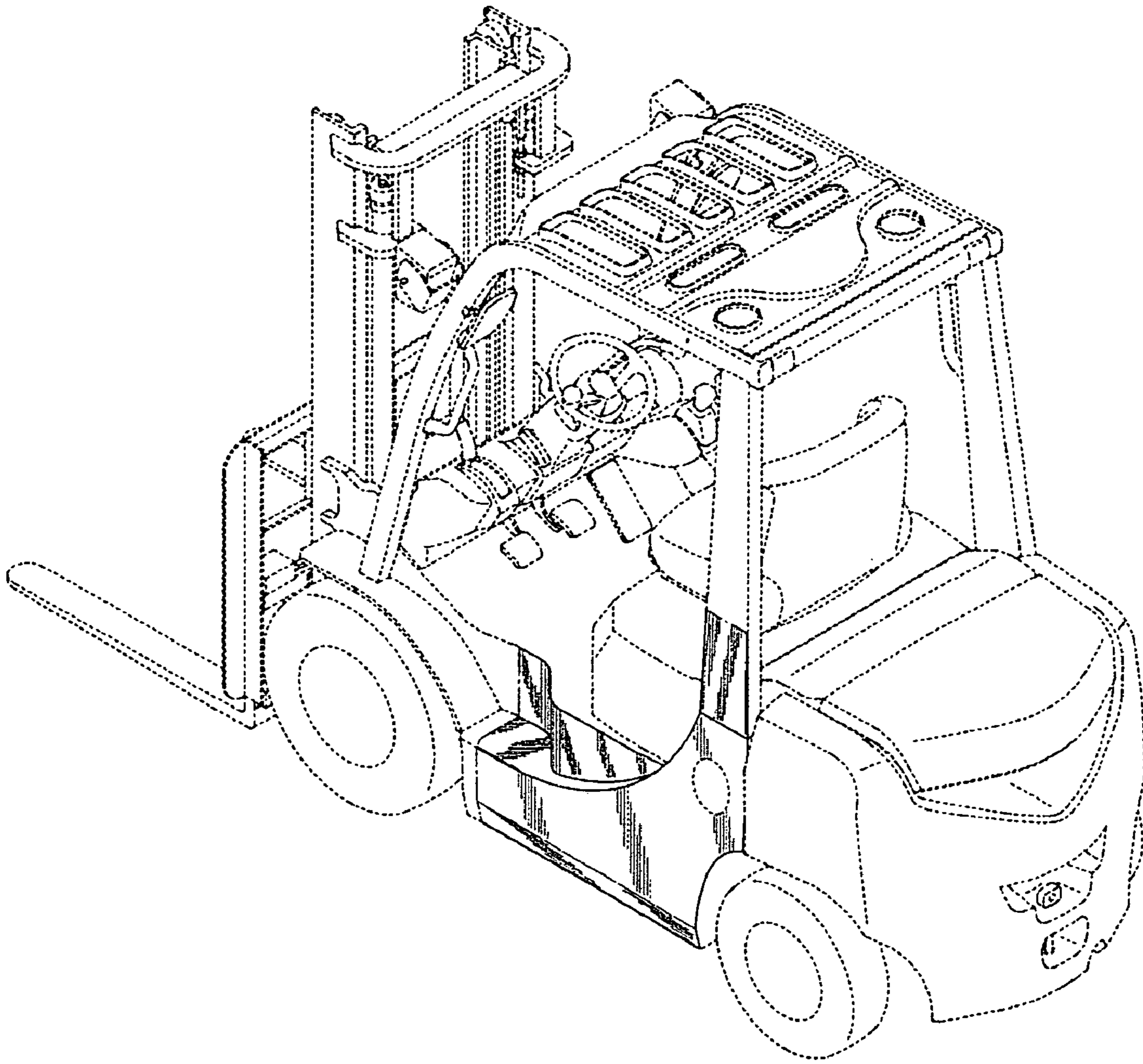
The bottom plan view is omitted since this article is a heavy item. The broken lines are shown for illustrative purposes only and form no part of the claimed design. The dot-dashed lines denote the boundary of the claim, and form no part of the claimed design.

**1 Claim, 6 Drawing Sheets**

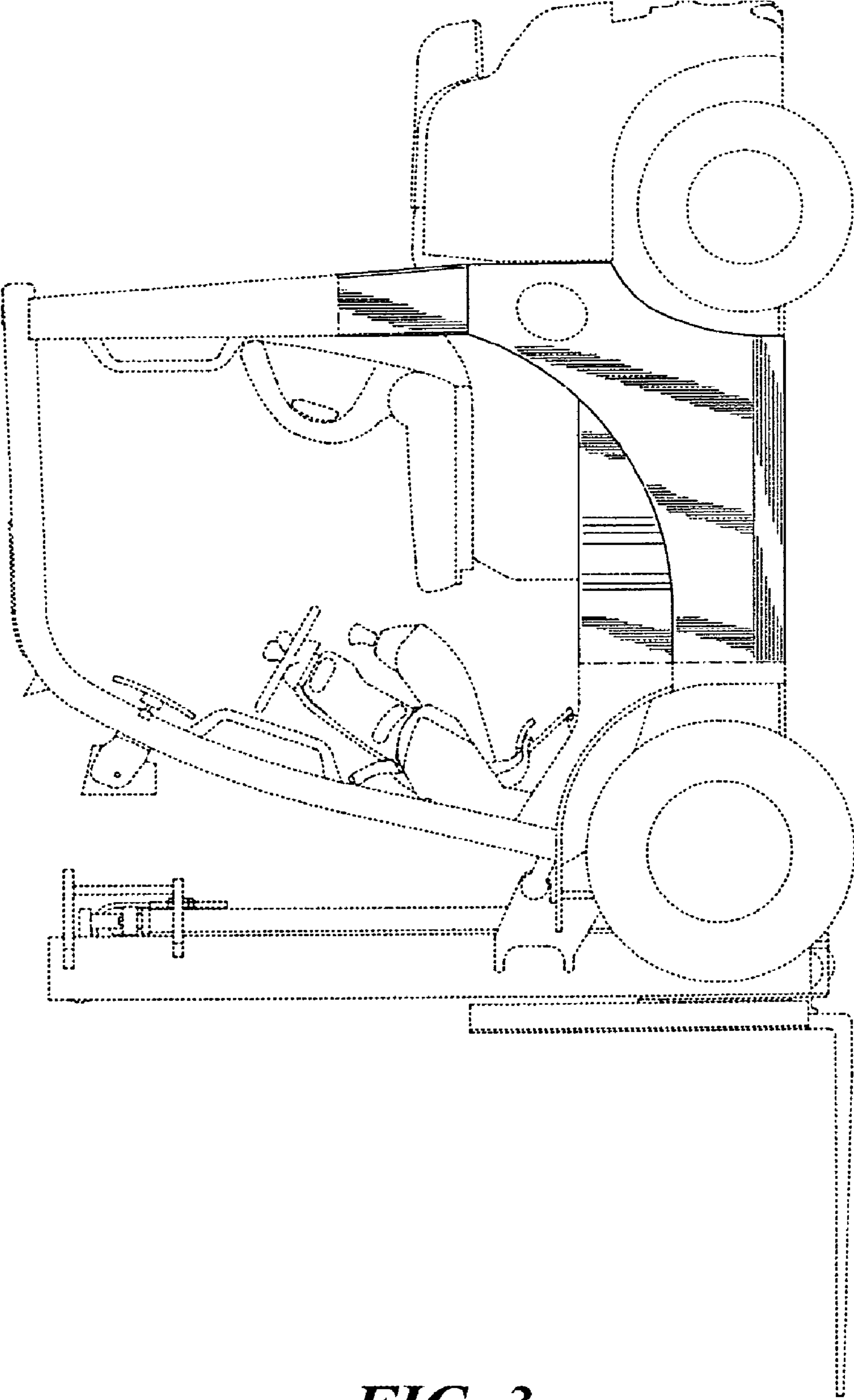




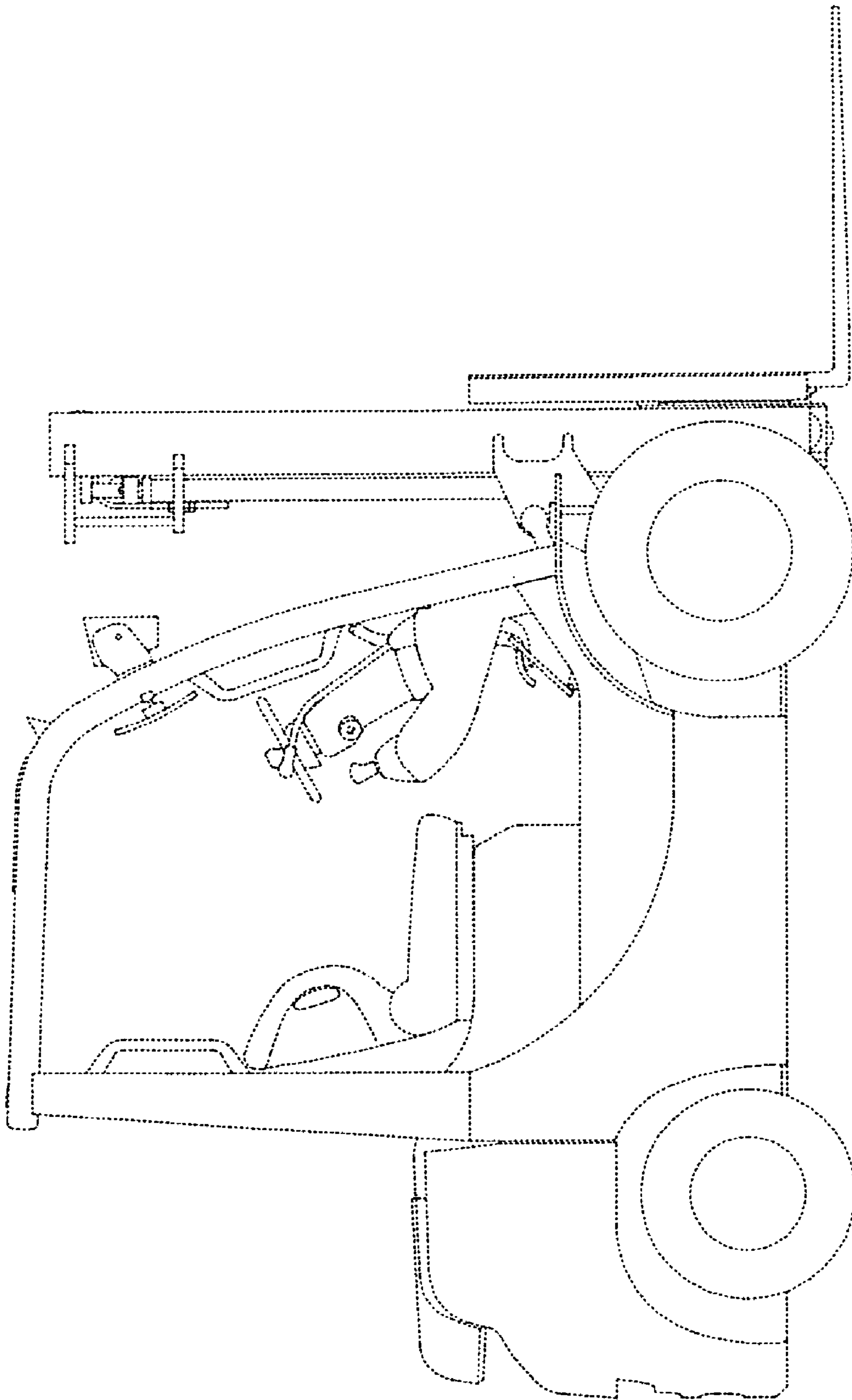
**FIG. 1**



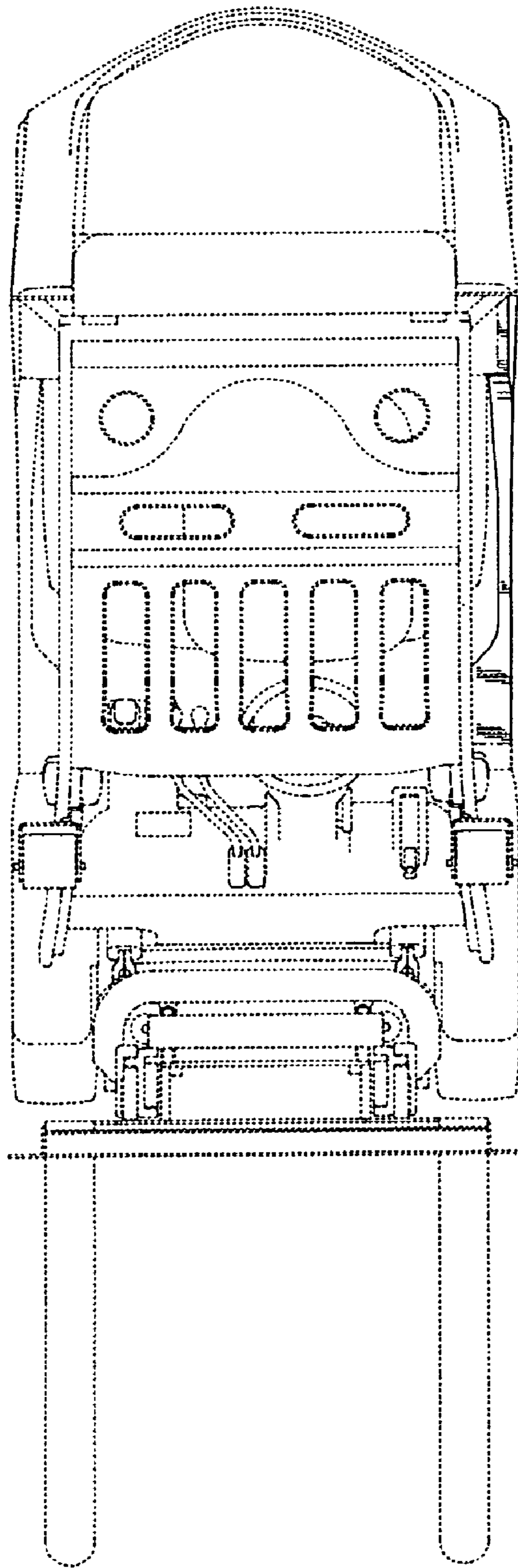
**FIG. 2**



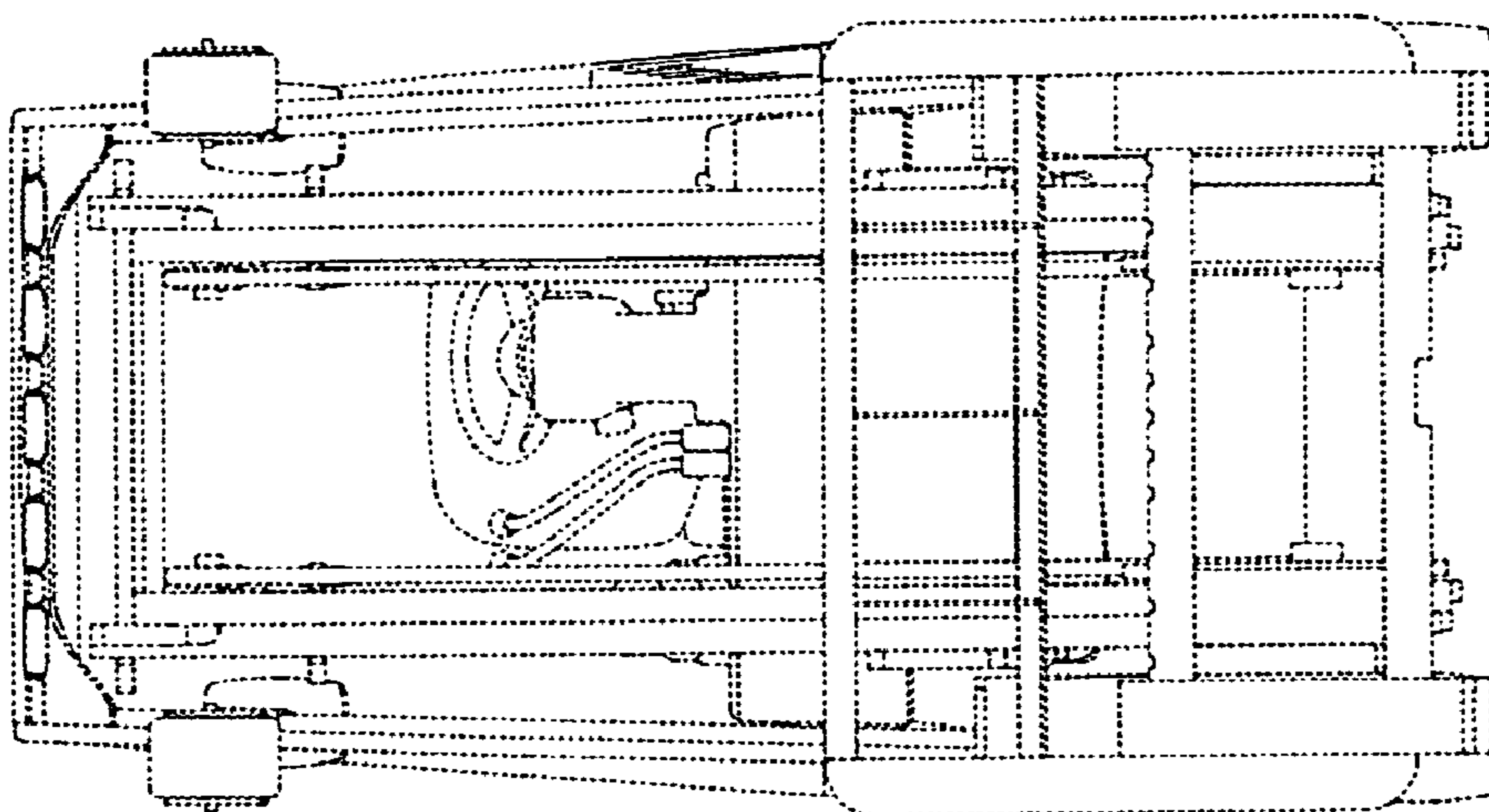
**FIG. 3**



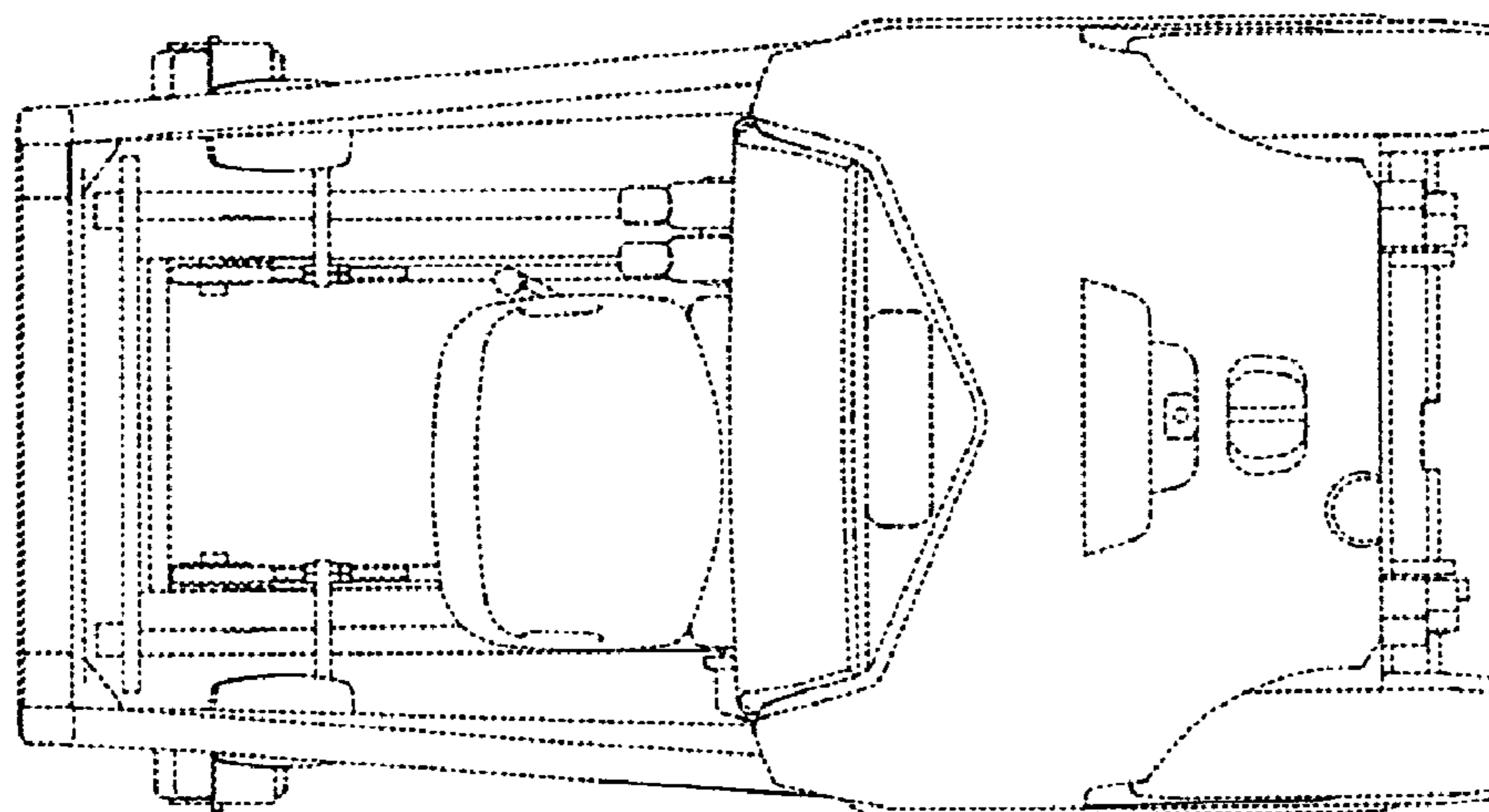
**FIG. 4**



**FIG. 5**



**FIG. 7**



**FIG. 6**