

US00D592823S

(12) **United States Design Patent**
Weger

(10) **Patent No.:** **US D592,823 S**

(45) **Date of Patent:** **** May 19, 2009**

(54) **CURB RAMP**

(76) **Inventor:** **Clark P. Weger**, 2545 W. Military,
Roseburg, OR (US) 97470

(**) **Term:** **14 Years**

(21) **Appl. No.:** **29/321,464**

(22) **Filed:** **Jul. 16, 2008**

(51) **LOC (9) Cl.** **12-05**

(52) **U.S. Cl.** **D34/33**

(58) **Field of Classification Search** D34/33,
D34/28; 254/88, 89 R, 90; 152/213 R; 81/15,
81/8

See application file for complete search history.

(56) **References Cited**

U.S. PATENT DOCUMENTS

2,184,061	A *	12/1939	Skroback	254/88
5,033,146	A *	7/1991	Fogarty et al.	14/69.5
D346,256	S	4/1994	Thomas, III et al.		
5,341,533	A	8/1994	Seitz		
RE34,889	E *	4/1995	Fogarty et al.	14/69.5
5,446,937	A *	9/1995	Haskins	14/69.5
D365,908	S *	1/1996	Pesznecker	D34/32
5,836,028	A	11/1998	Petersen		
6,044,511	A	4/2000	Frost et al.		

6,269,508	B1	8/2001	Younce		
6,675,422	B1	1/2004	Kuykendall		
D521,710	S *	5/2006	Goldschmidt	D34/32
7,104,524	B1 *	9/2006	Hidding et al.	254/88
D567,471	S *	4/2008	Haimoff	D34/33
2005/0132511	A1 *	6/2005	Berg	14/69.5
2006/0027794	A1 *	2/2006	Heinz	254/88
2007/0034843	A1 *	2/2007	Reamsnyder et al.	254/88

* cited by examiner

Primary Examiner—Cynthia E Ramirez

(57) **CLAIM**

The ornamental design for a curb ramp, as shown and described.

DESCRIPTION

FIG. 1 is a perspective view of a curb ramp showing my design;

FIG. 2 is a top view thereof;

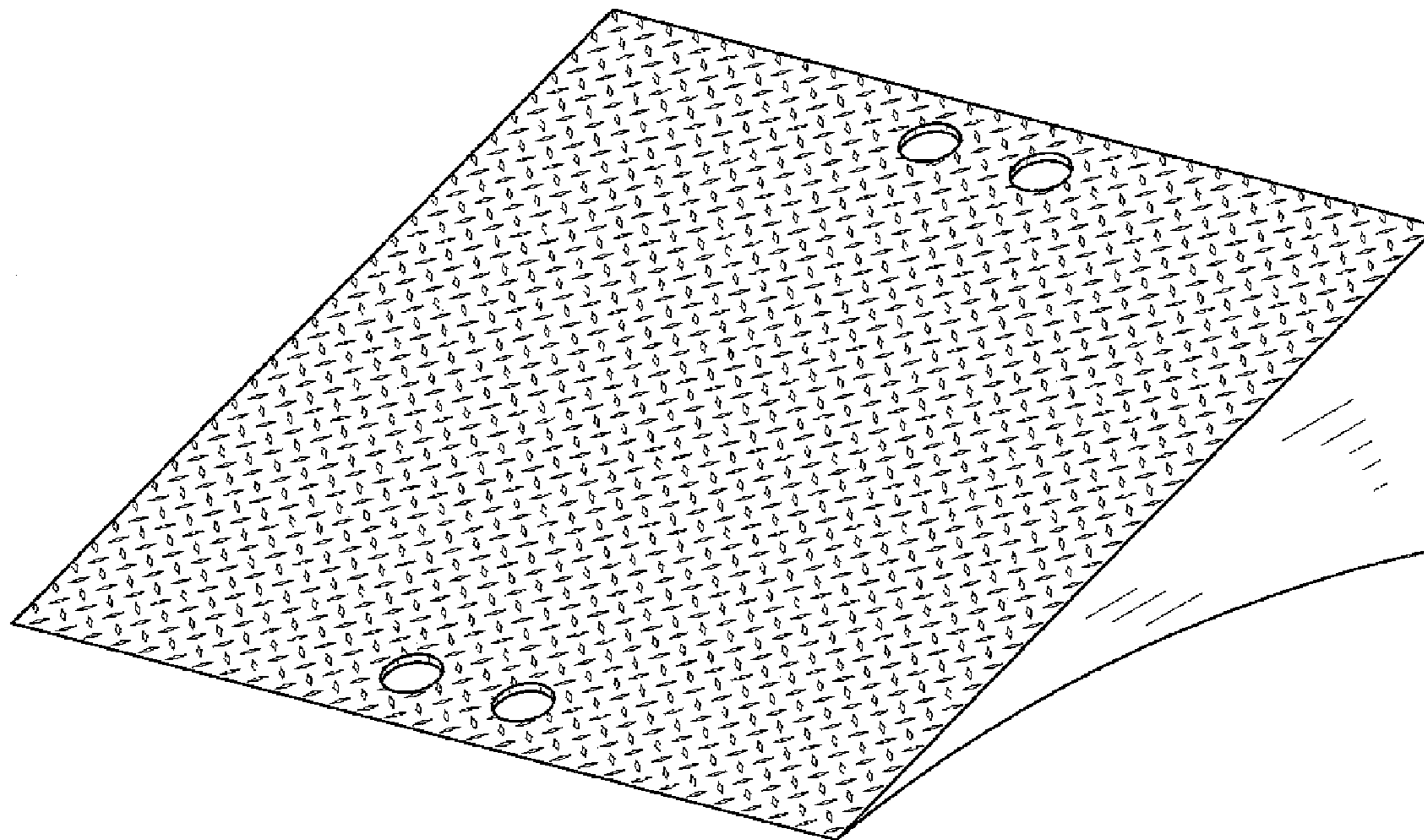
FIG. 3 is a bottom view thereof;

FIG. 4 is a front view thereof;

FIG. 5 is a back view thereof; and,

FIG. 6 is a side view thereof, the other side being a mirror image thereof.

1 Claim, 3 Drawing Sheets



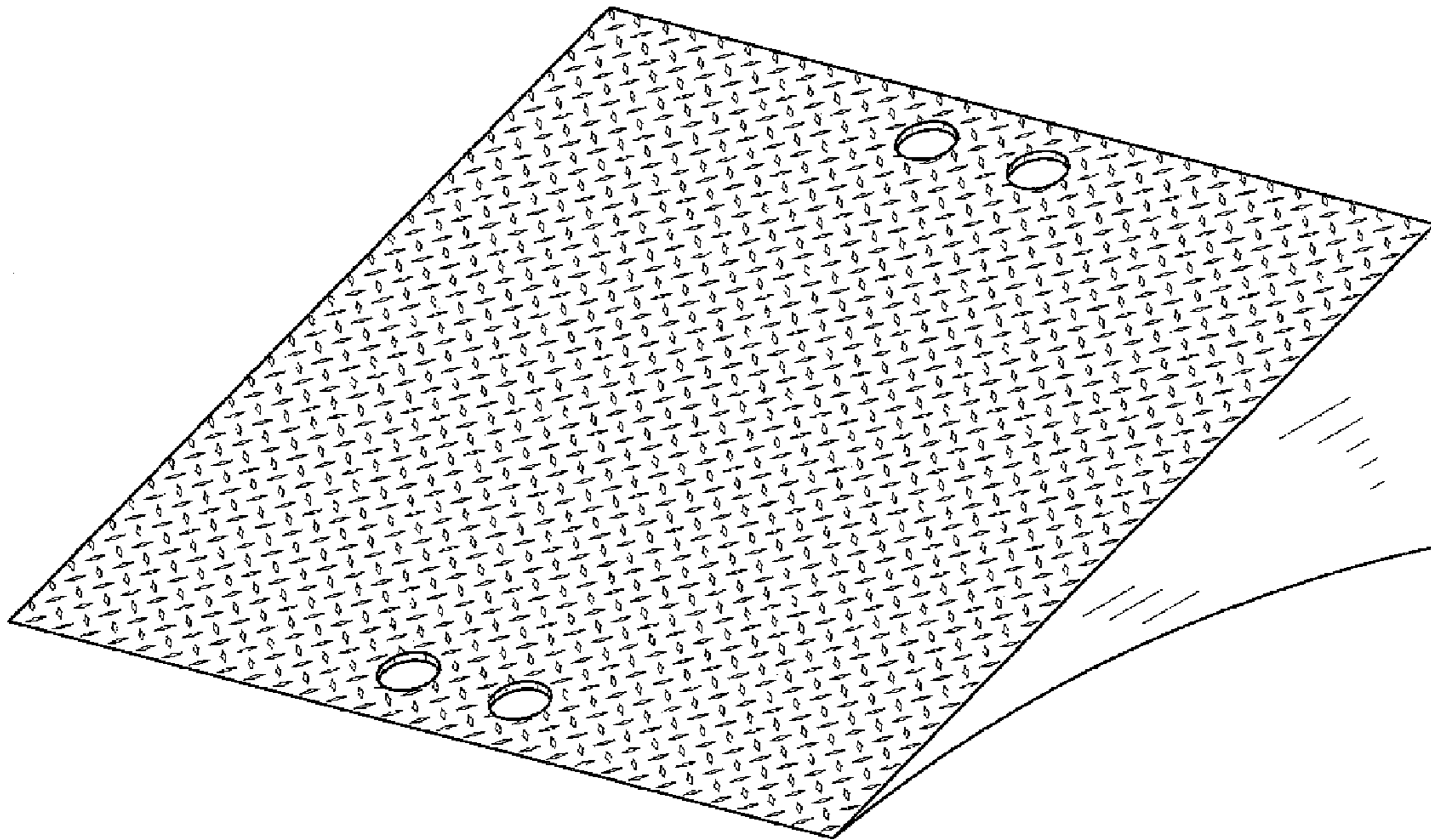


FIG. 1

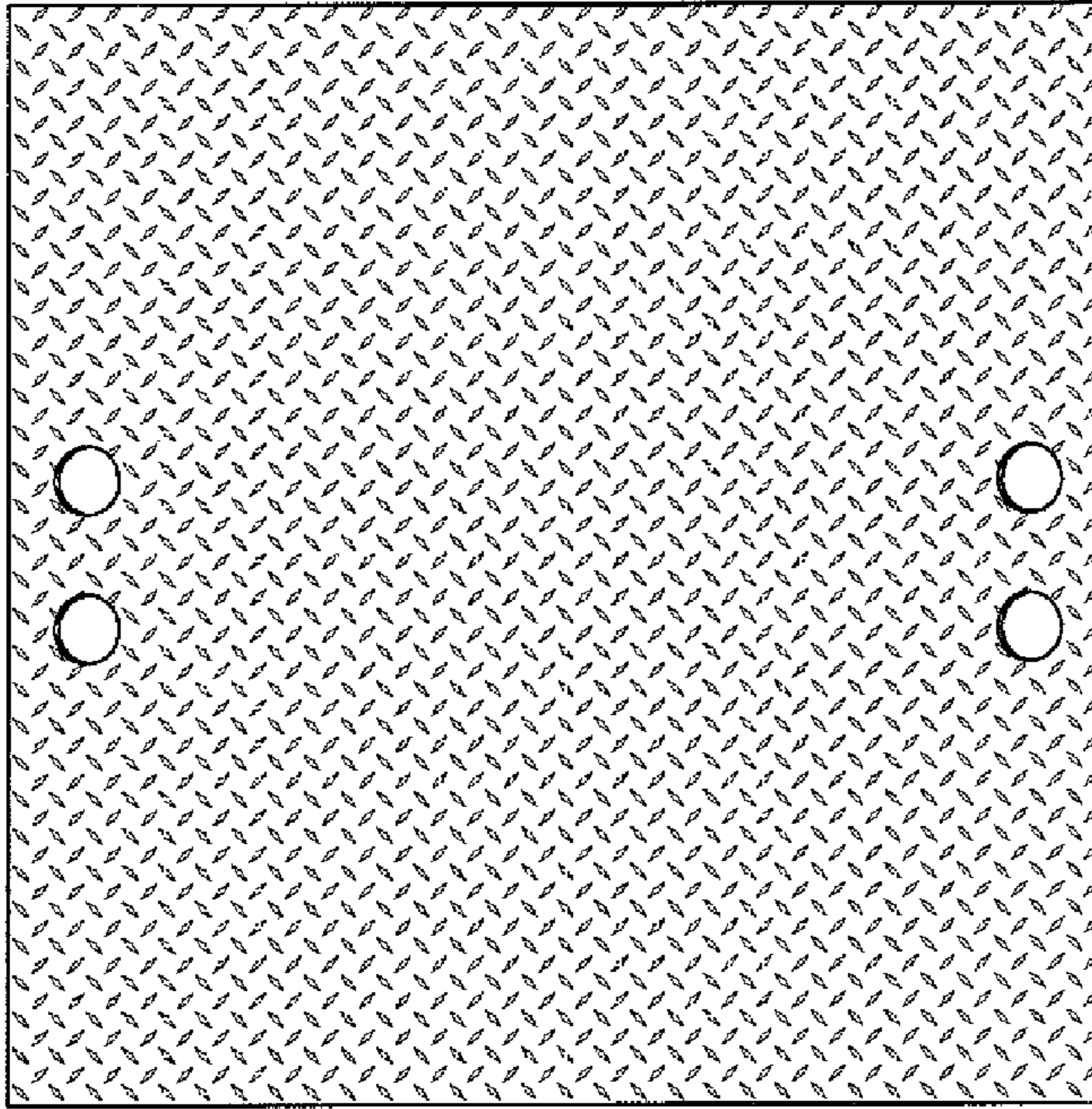


FIG. 2

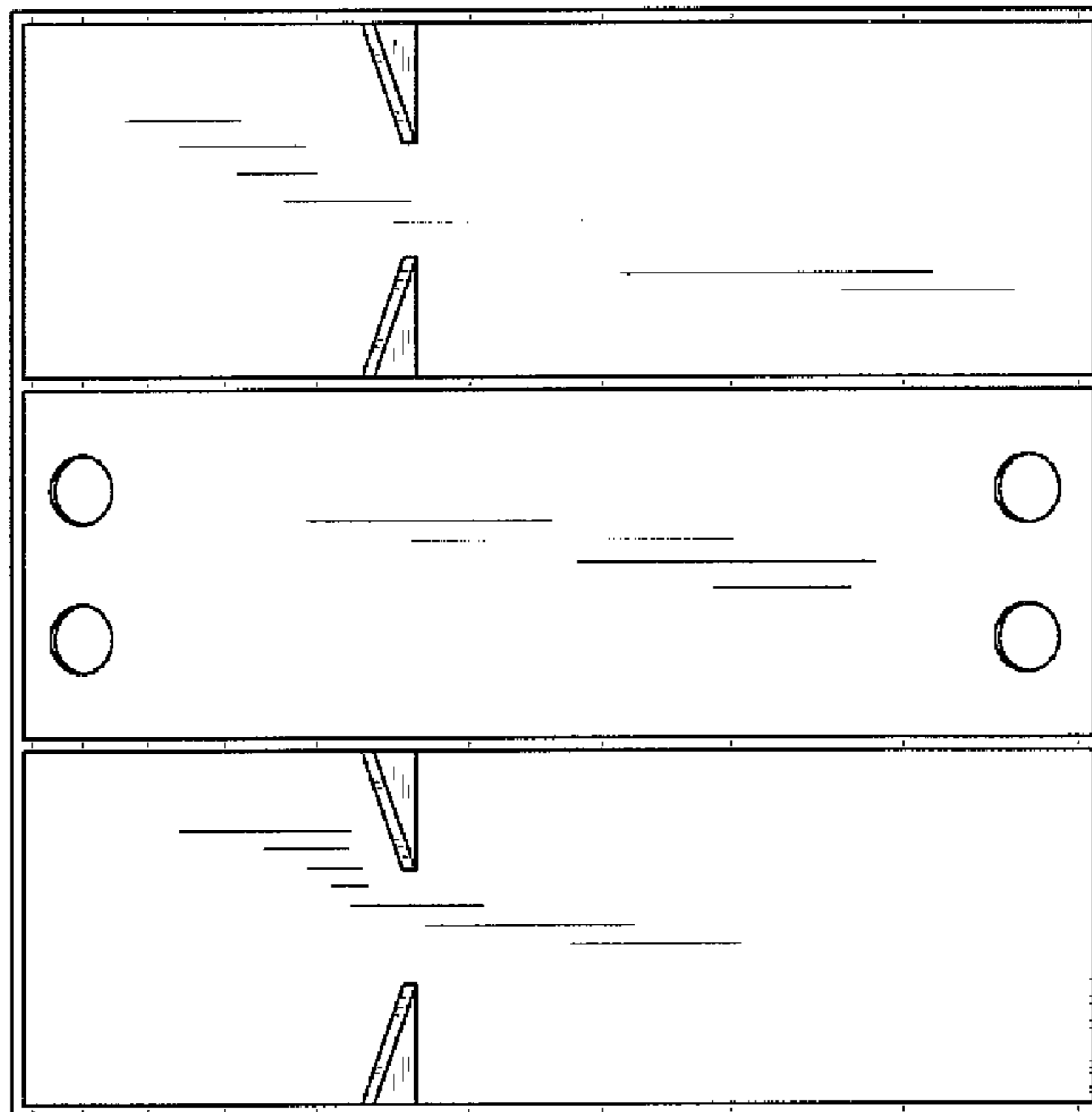


FIG. 3

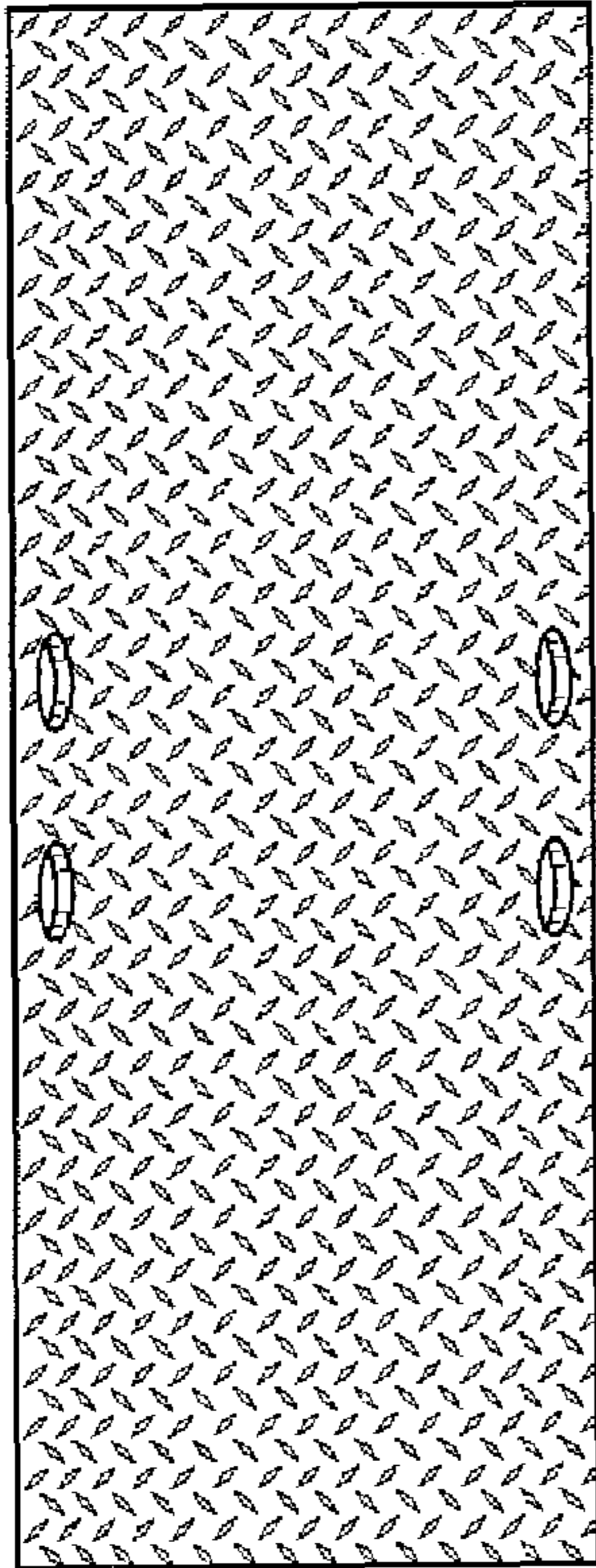


FIG. 4

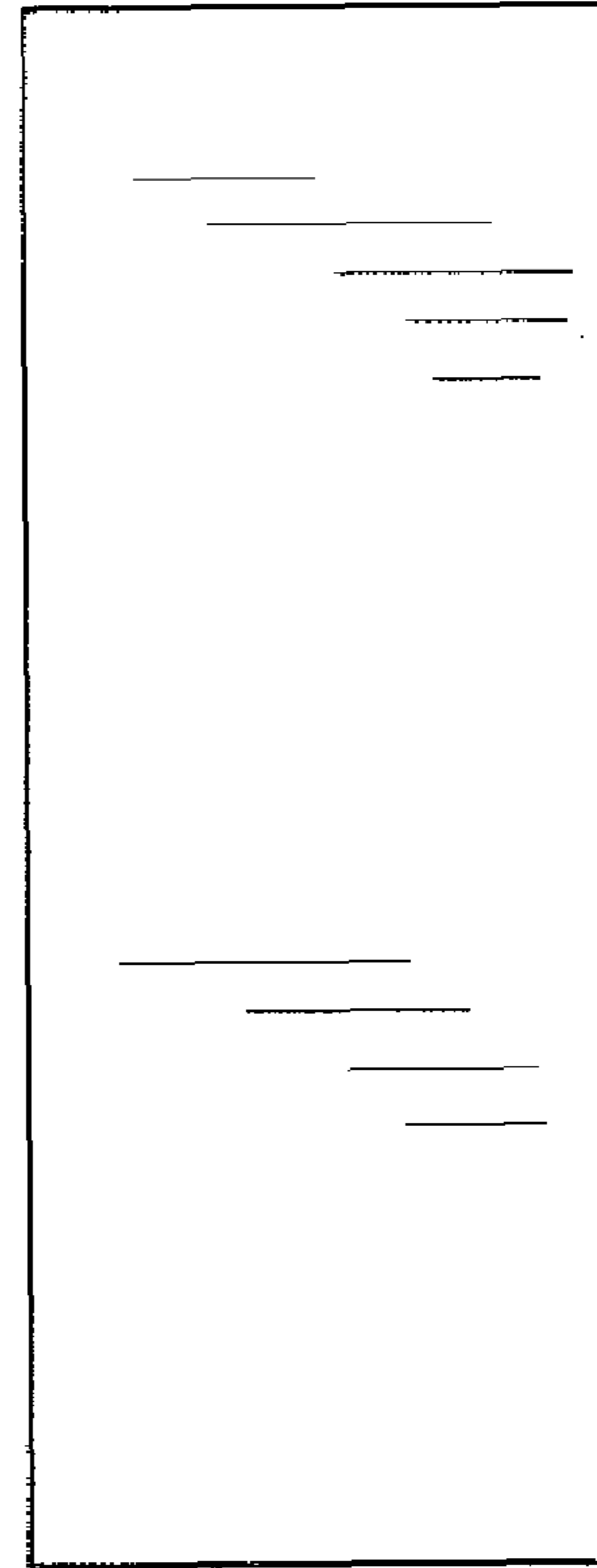


FIG. 5

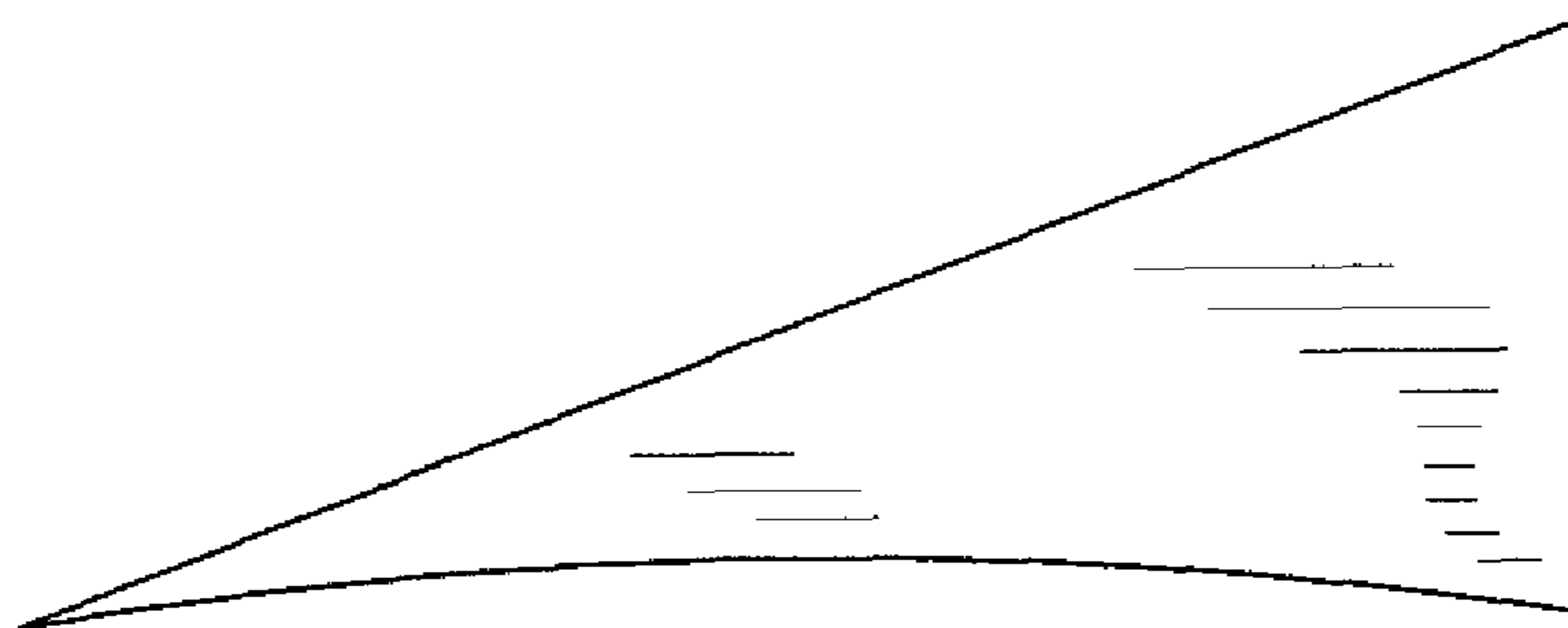


FIG. 6