

US00D592821S

(12) **United States Design Patent**  
**Porter, Jr.**

(10) **Patent No.:** **US D592,821 S**

(45) **Date of Patent:** **\*\* May 19, 2009**

(54) **WHEELED PLATFORM**

*Primary Examiner*—Cynthia E Ramirez

(76) **Inventor:** **Frank Kendall Porter, Jr.**, 14 Hilltop Rd., Billerica, MA (US) 01821

(57) **CLAIM**

The ornamental design for a wheeled platform, as shown and described.

(\*\*) **Term:** **14 Years**

(21) **Appl. No.:** **29/307,382**

**DESCRIPTION**

(22) **Filed:** **Apr. 16, 2008**

(51) **LOC (9) Cl.** ..... **12-02**

(52) **U.S. Cl.** ..... **D34/23**

(58) **Field of Classification Search** ..... D34/12-27,  
D34/28; 280/79.3, 79.11, 47.24, 47.26, 47.34  
See application file for complete search history.

A portion of the disclosure of this patent document contains material to which a claim of copyright is made. The copyright owner has no objection to the facsimile reproduction by any one of the patent document or the patent disclosure, as it appears in the Patent and Trademark Office patent file or records, but reserves all other copyrights whatsoever.

FIG. 1 is a top plan view of a wheeled platform of my design; FIG. 2 is a top, front perspective view; the top, rear perspective view being a mirror image thereof;

FIG. 3 is a bottom, front perspective view; the bottom, rear perspective view being a mirror image thereof; and,

FIG. 4 is an enlarged view of the placard on the top of the wheeled platform; shown separated for convenience of illustration.

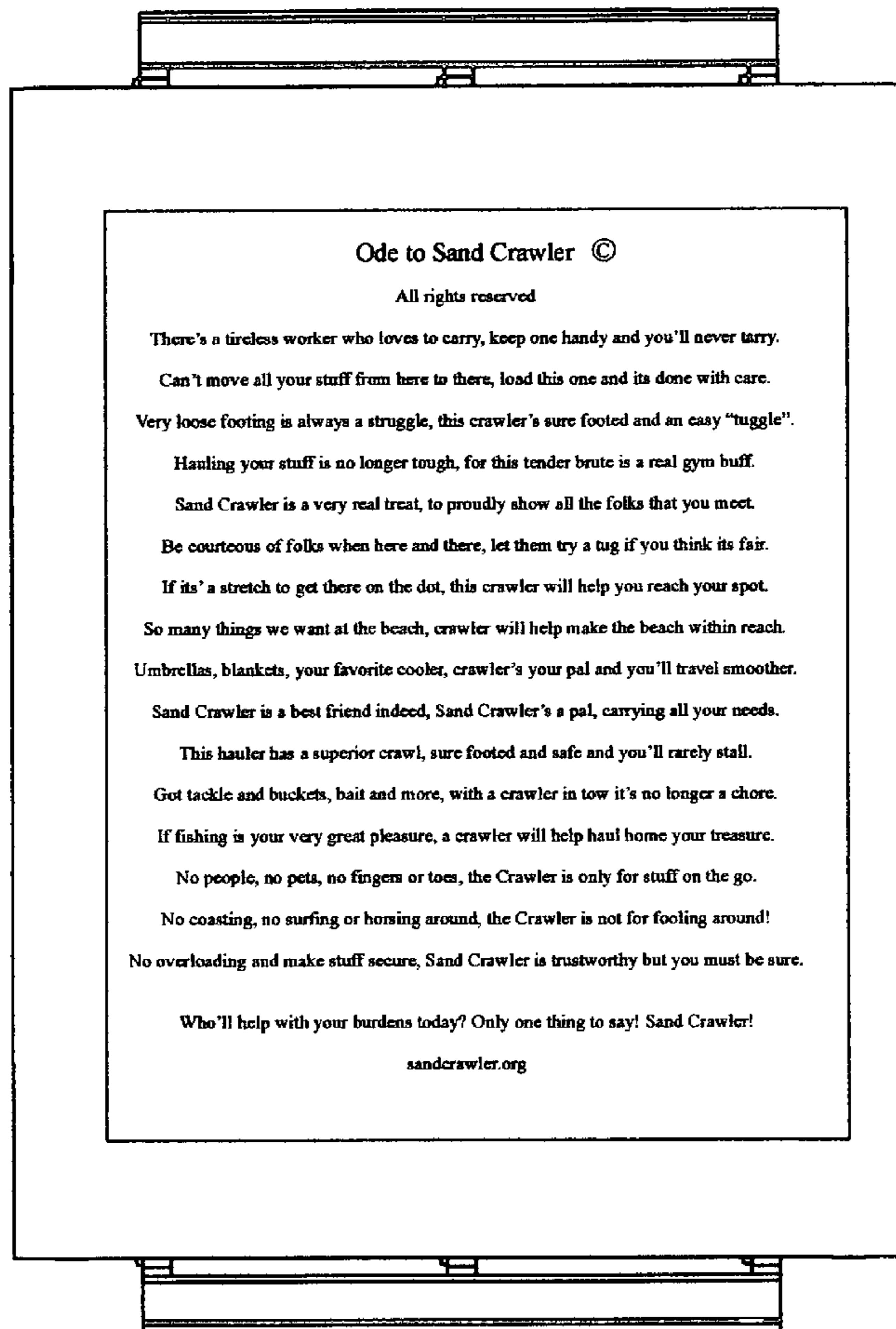
(56) **References Cited**

**U.S. PATENT DOCUMENTS**

D164,092 S *	7/1951	Best	.....	D34/23
D248,845 S *	8/1978	White et al.	.....	D34/17
D312,716 S *	12/1990	Stephens, III	.....	D34/17
D383,282 S *	9/1997	Proffitt	.....	D34/19
D426,793 S *	6/2000	Lundh	.....	D12/133
7,021,884 B1 *	4/2006	Altman	.....	414/463

\* cited by examiner

**1 Claim, 4 Drawing Sheets**



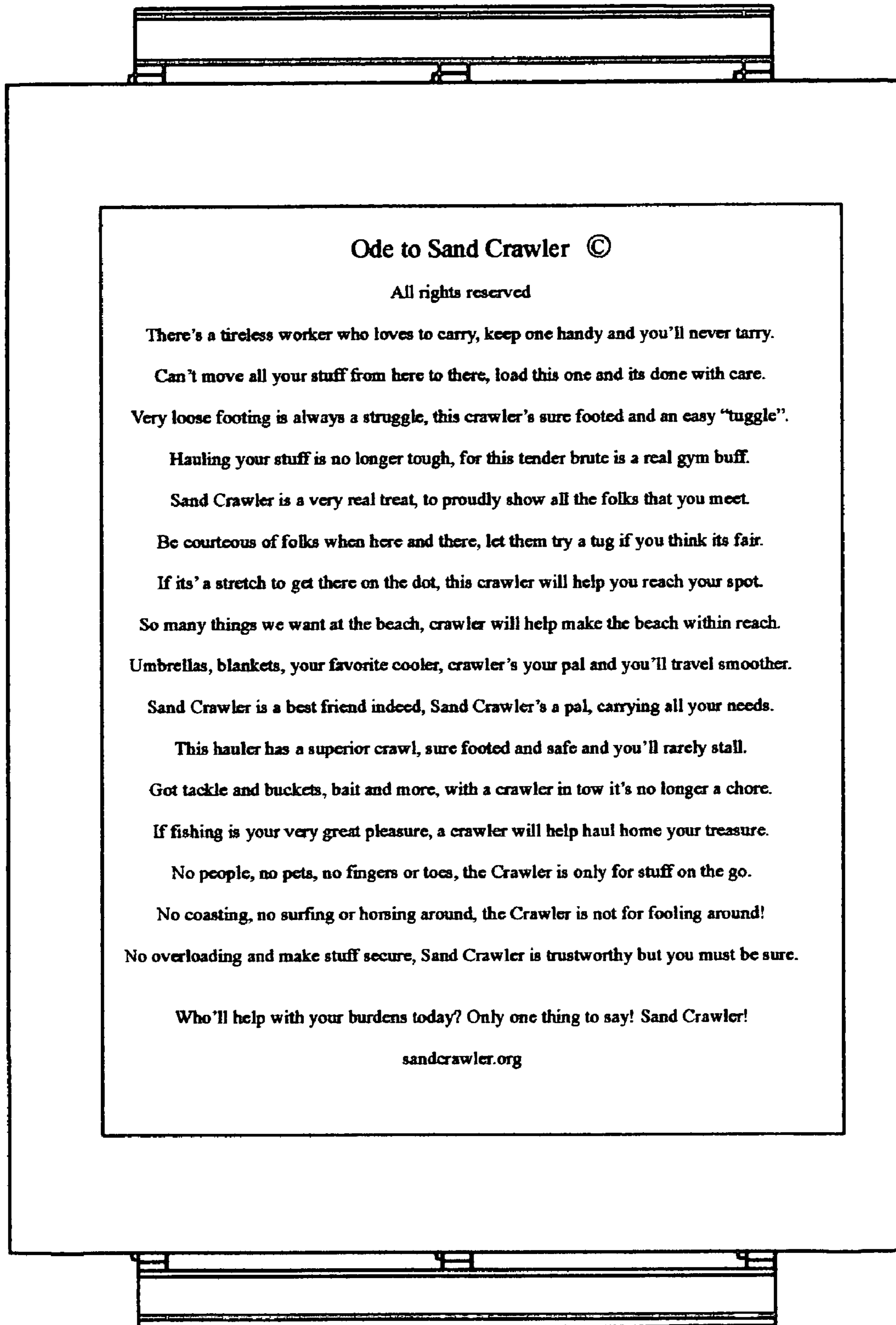


FIG. 1



FIG. 2

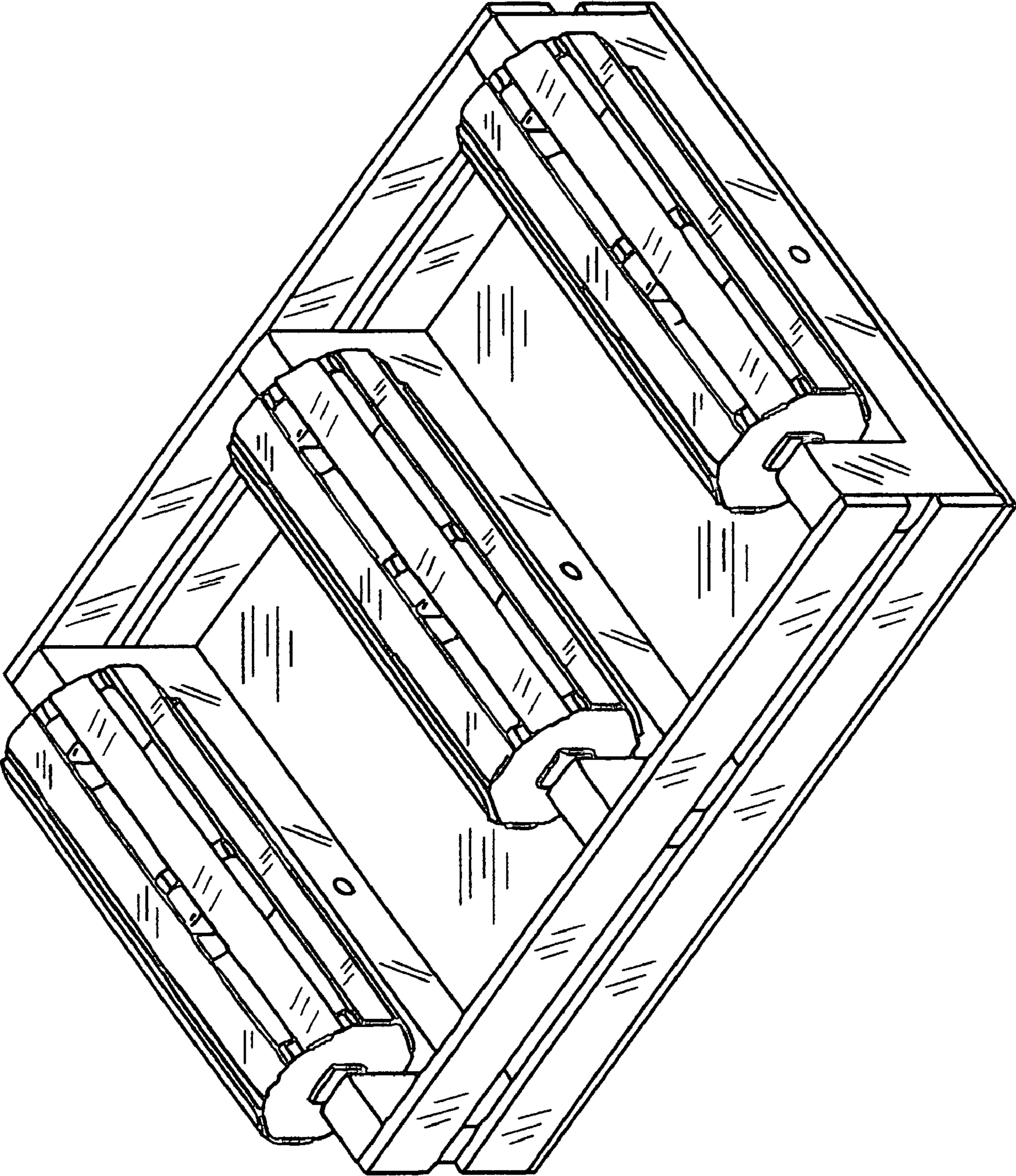


FIG. 3

### **Ode to Sand Crawler ©**

**All rights reserved**

There's a tireless worker who loves to carry, keep one handy and you'll never tarry.

Can't move all your stuff from here to there, load this one and its done with care.

Very loose footing is always a struggle, this crawler's sure footed and an easy "tuggle".

Hauling your stuff is no longer tough, for this tender brute is a real gym buff.

Sand Crawler is a very real treat, to proudly show all the folks that you meet.

Be courteous of folks when here and there, let them try a tug if you think its fair.

If its' a stretch to get there on the dot, this crawler will help you reach your spot.

So many things we want at the beach, crawler will help make the beach within reach.

Umbrellas, blankets, your favorite cooler, crawler's your pal and you'll travel smoother.

Sand Crawler is a best friend indeed, Sand Crawler's a pal, carrying all your needs.

This hauler has a superior crawl, sure footed and safe and you'll rarely stall.

Got tackle and buckets, bait and more, with a crawler in tow it's no longer a chore.

If fishing is your very great pleasure, a crawler will help haul home your treasure.

No people, no pets, no fingers or toes, the Crawler is only for stuff on the go.

No coasting, no surfing or horsing around, the Crawler is not for fooling around!

No overloading and make stuff secure, Sand Crawler is trustworthy but you must be sure.

Who'll help with your burdens today? Only one thing to say! Sand Crawler!

[sandcrawler.org](http://sandcrawler.org)

**FIG. 4**

---