



US00D592816S

(12) **United States Design Patent**
Chun

(10) **Patent No.:** **US D592,816 S**

(45) **Date of Patent:** **** May 19, 2009**

(54) **PRESSURE WASHER**

(75) Inventor: **Lau Ka Chun**, Fanling (HK)

(73) Assignee: **Eastway Fair Company Limited** (VG)

(**) Term: **14 Years**

(21) Appl. No.: **29/298,504**

(22) Filed: **Dec. 6, 2007**

(51) **LOC (9) Cl.** **15-05**

(52) **U.S. Cl.** **D32/15**

(58) **Field of Classification Search** D32/15-16,
D32/1, 25, 30-31; D23/225; 15/320-322,
15/353, 327.1, 327.6, 344

See application file for complete search history.

(56) **References Cited**

U.S. PATENT DOCUMENTS

D381,481 S *	7/1997	Medema et al.	D32/31
D519,693 S *	4/2006	Ricker et al.	D32/15
D542,373 S *	5/2007	Cooper	D23/225
D560,046 S *	1/2008	Renner	D32/15
D563,503 S *	3/2008	Monk	D23/225

D567,458 S * 4/2008 Jiang et al. D32/15

* cited by examiner

Primary Examiner—T. Chase Nelson

Assistant Examiner—Kathleen M Sims

(74) *Attorney, Agent, or Firm*—Michael Best & Friedrich LLP

(57) **CLAIM**

The ornamental design for a pressure washer, as shown and described.

DESCRIPTION

FIG. 1 is a perspective view of a pressure washer showing my new design;

FIG. 2 is a first side view thereof;

FIG. 3 is a second side view thereof;

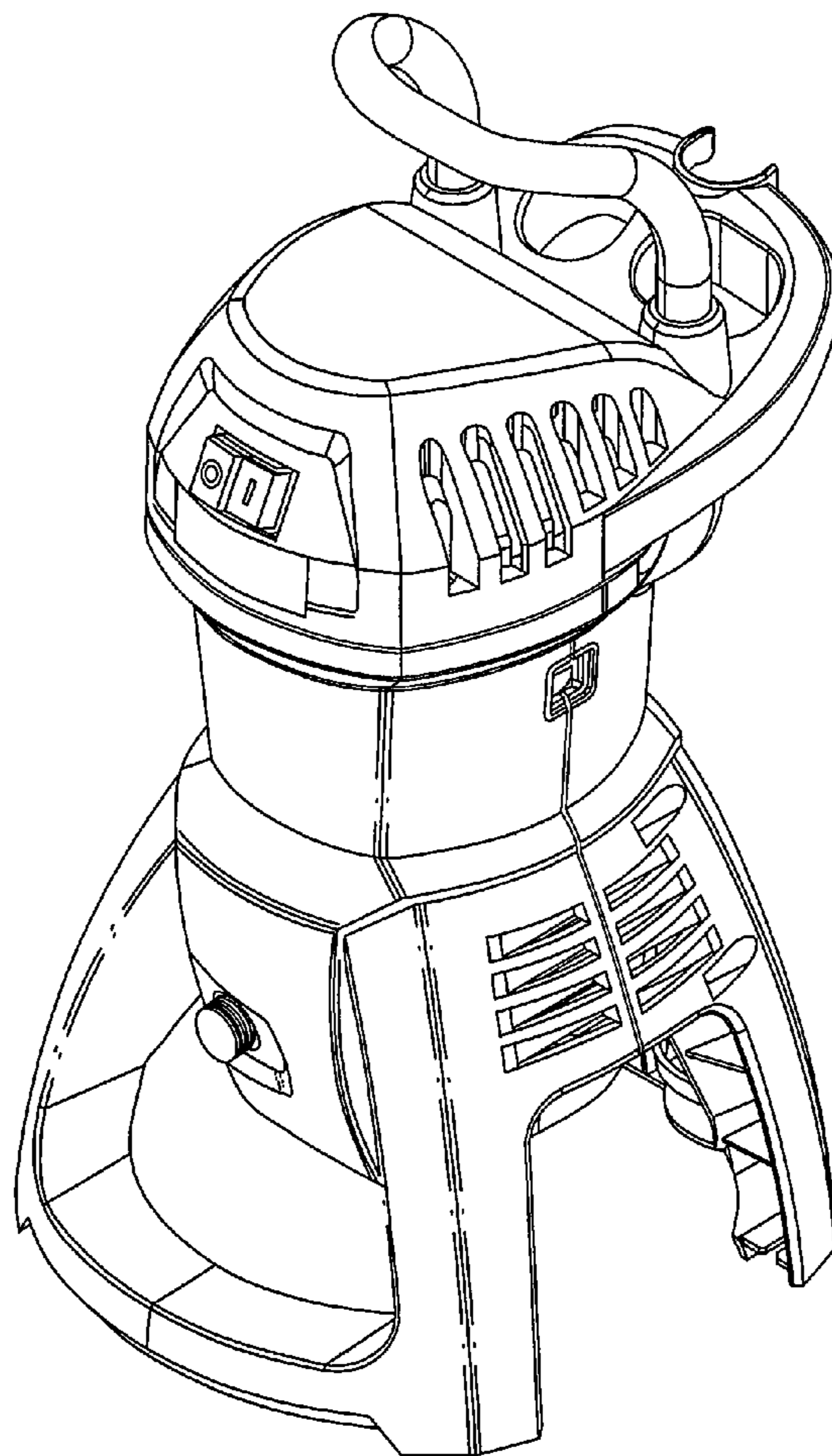
FIG. 4 is a front view thereof;

FIG. 5 is a rear view thereof;

FIG. 6 is a top view thereof; and,

FIG. 7 is a bottom view thereof.

1 Claim, 7 Drawing Sheets



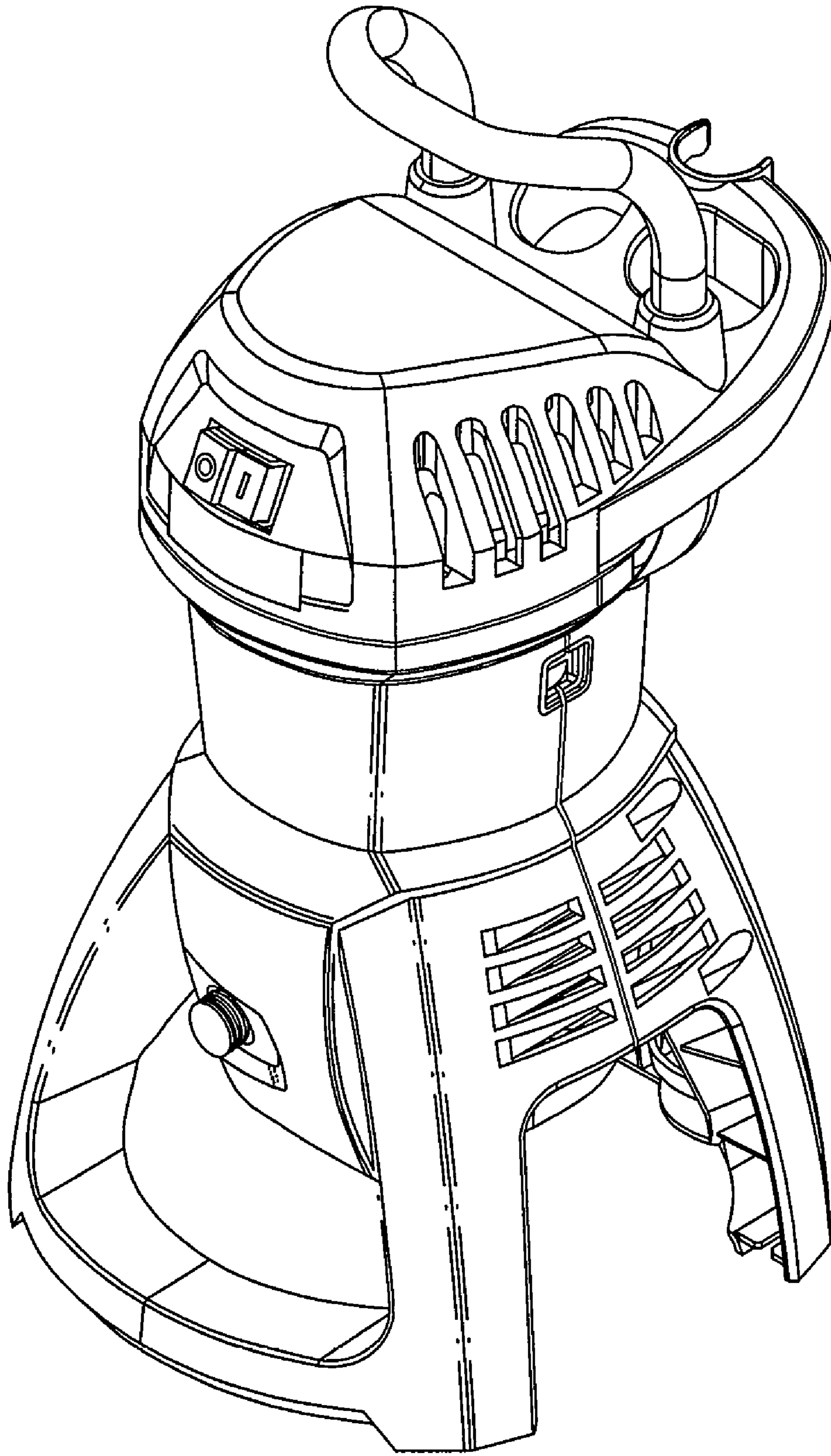


FIG. 1

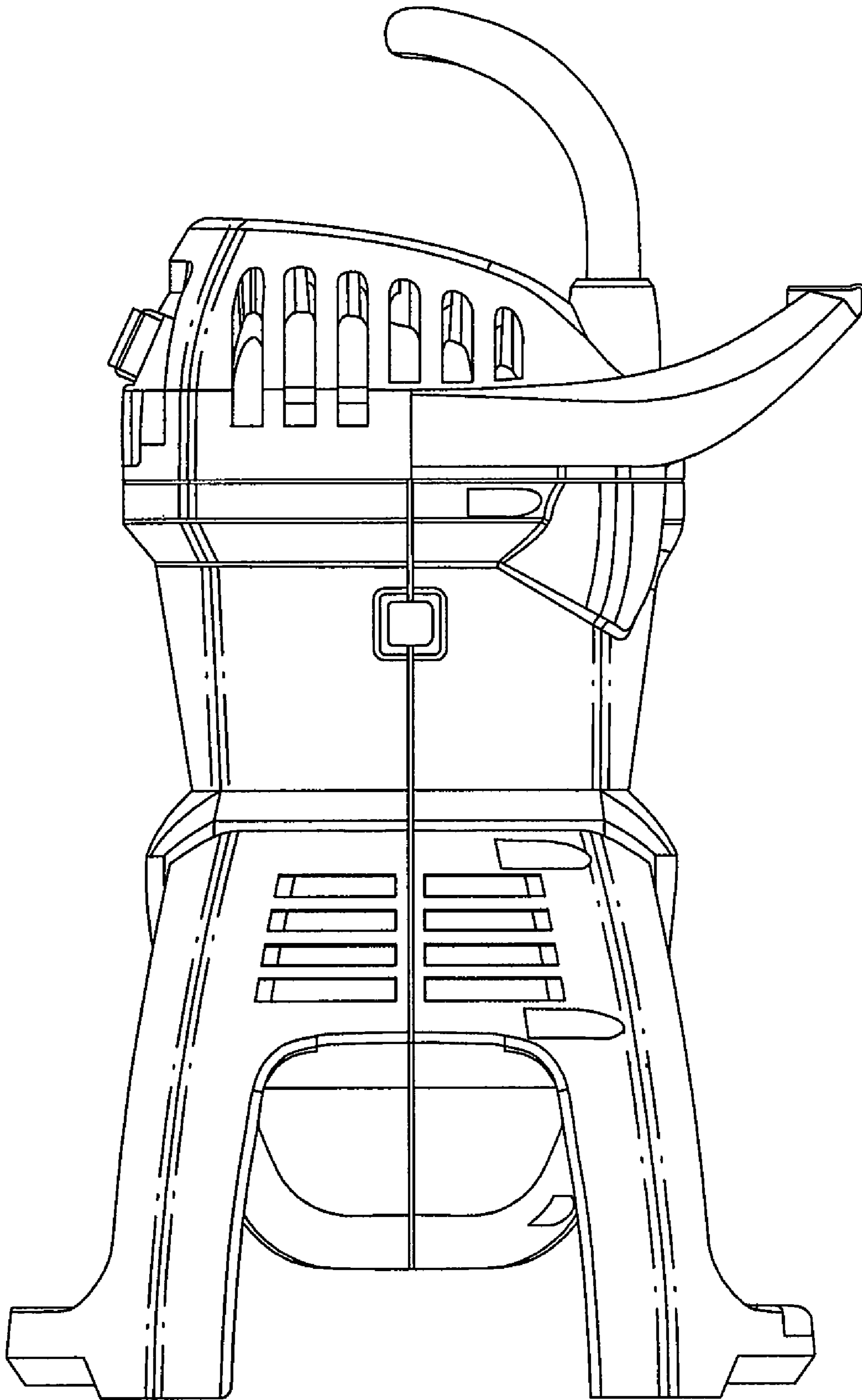


FIG. 2

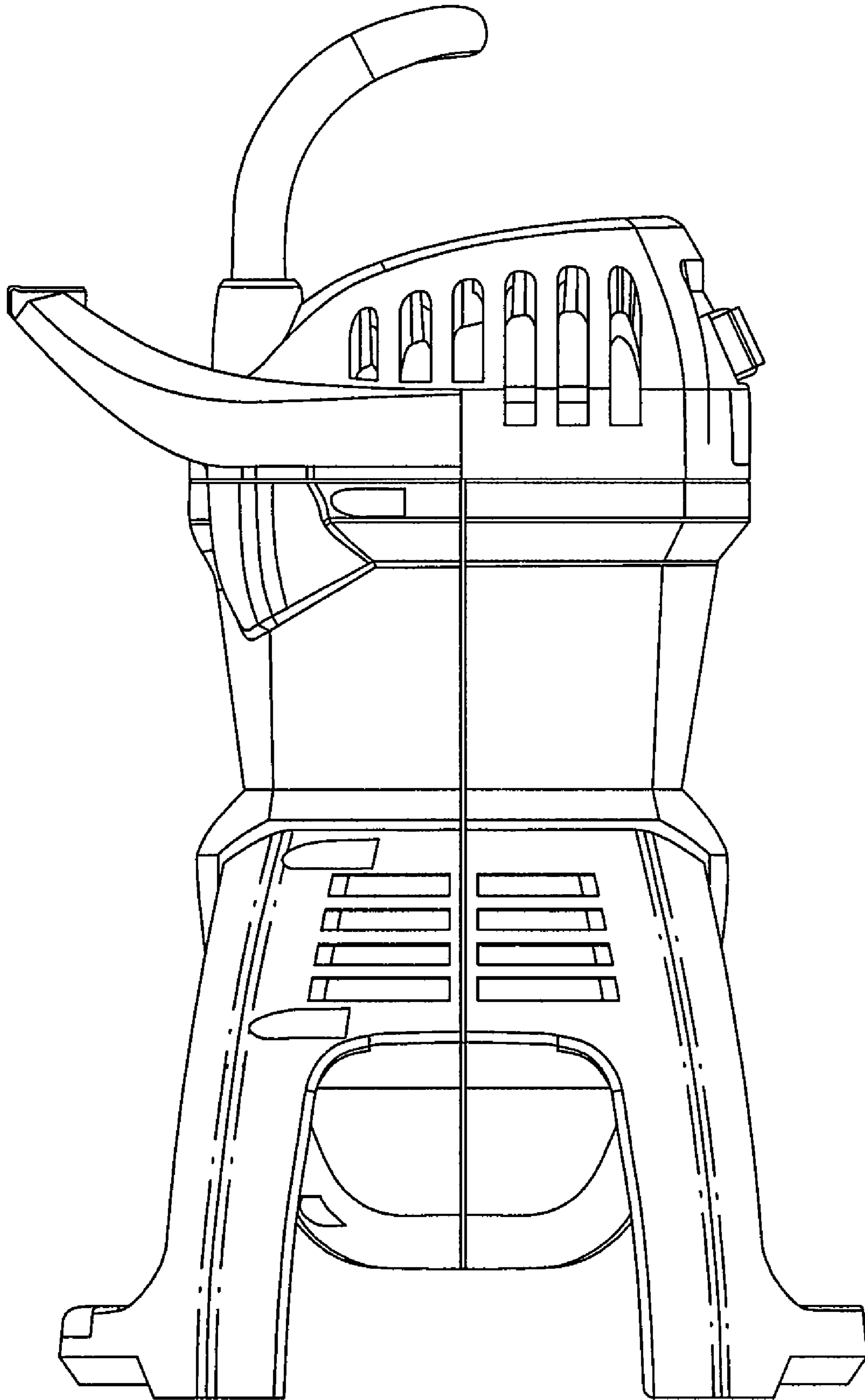


FIG. 3

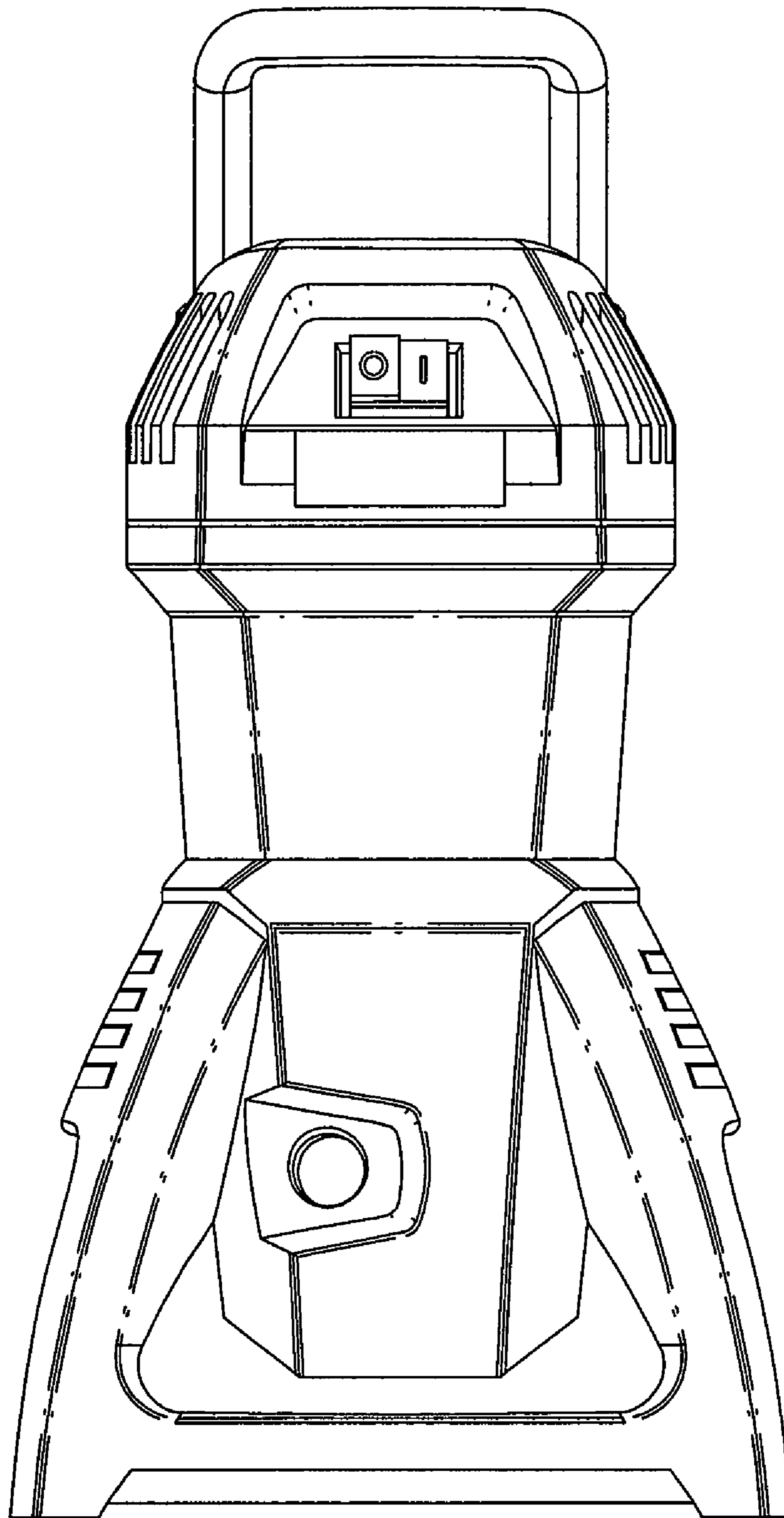


FIG. 4

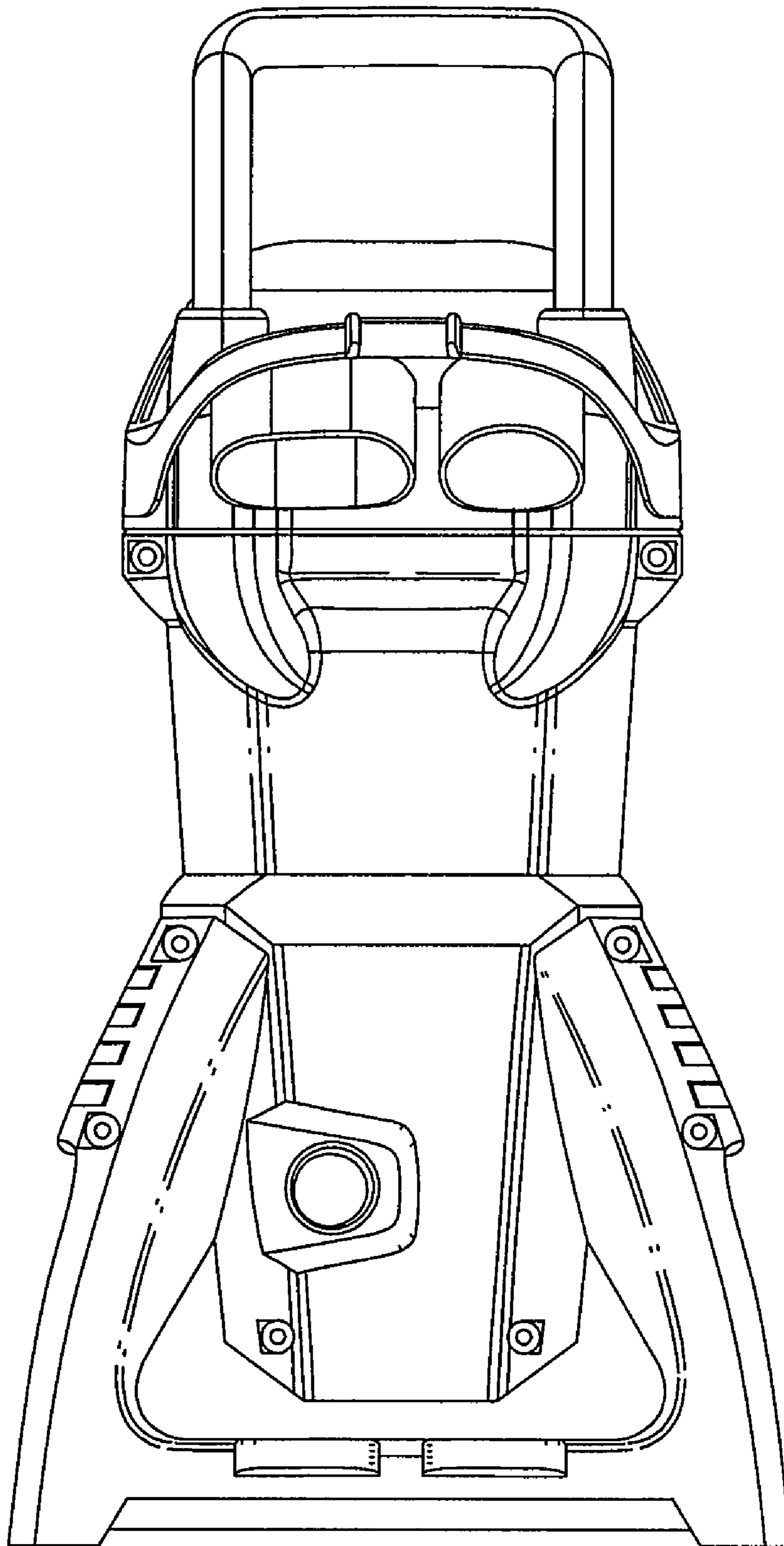


FIG. 5

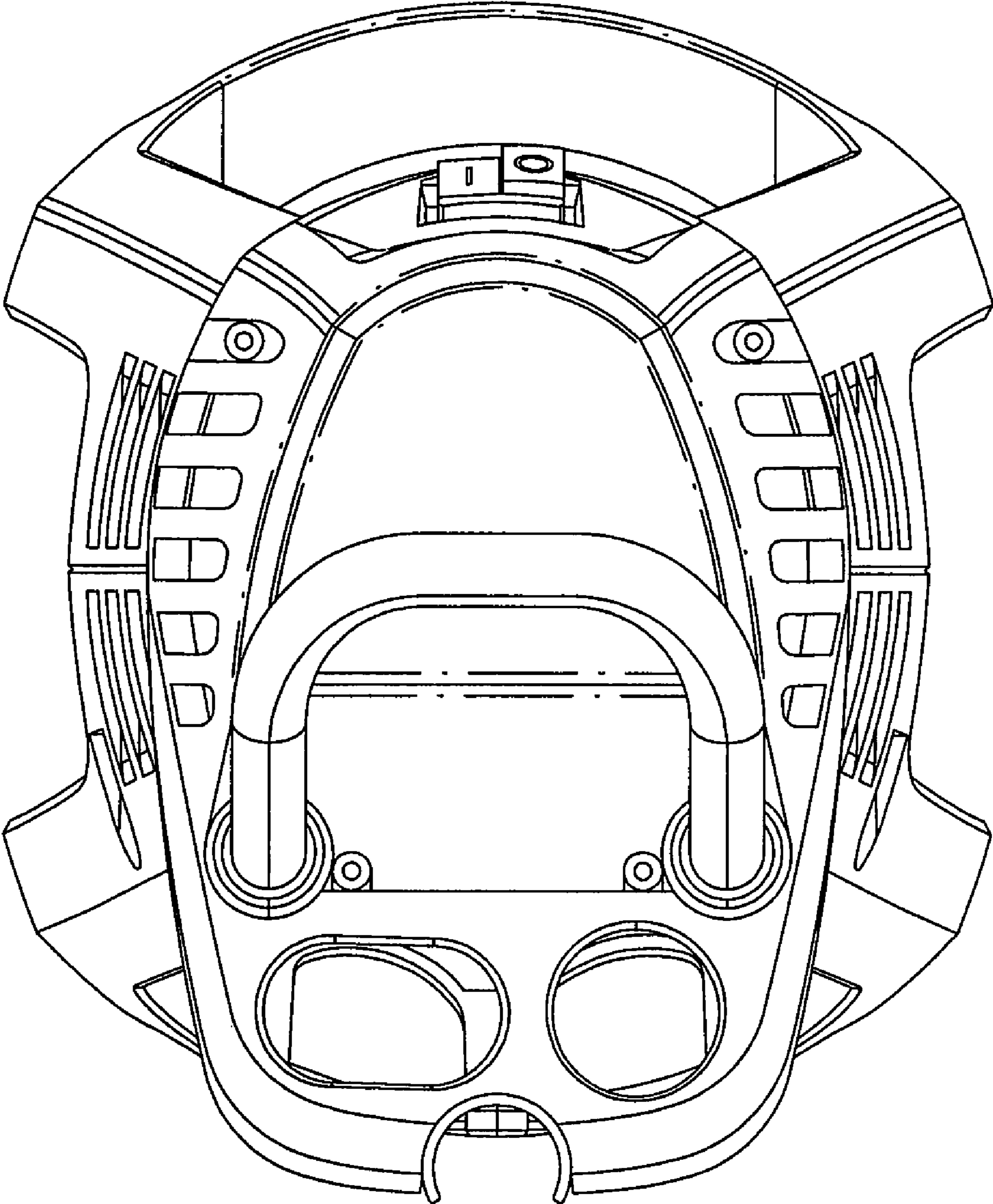


FIG. 6

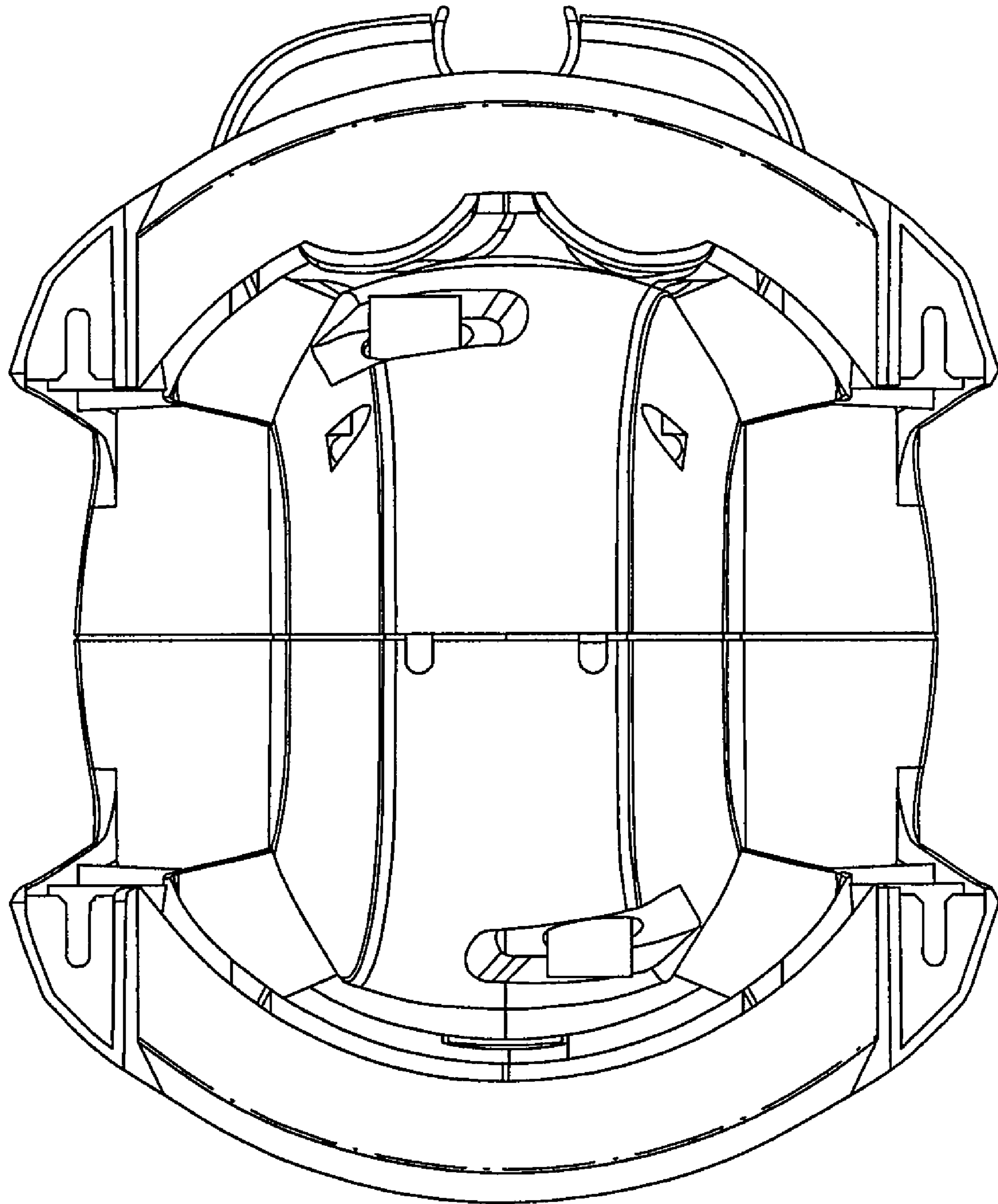


FIG. 7