



US00D592814S

(12) **United States Design Patent**
Uffner et al.

(10) **Patent No.:** **US D592,814 S**

(45) **Date of Patent:** **** May 19, 2009**

(54) **ELEVATED ANIMAL FEEDING BOWL**

(74) *Attorney, Agent, or Firm*—McHale & Slavin, P.A.

(75) Inventors: **Michael Uffner**, Naperville, IL (US);
Torrence Anderson, Overland Park, KS
(US); **Michael R. Vogler**, Oswego, IL
(US)

(57) **CLAIM**

The ornamental design for an elevated animal feeding bowl,
as shown and described.

(73) Assignee: **Suncast Technologies, LLC**, Palm
Beach Gardens, FL (US)

DESCRIPTION

(**) Term: **14 Years**

FIG. 1 is a top perspective view of the elevated animal feeding
bowl of the instant invention;

(21) Appl. No.: **29/317,537**

FIG. 2 is a bottom perspective view thereof;

(22) Filed: **May 1, 2008**

FIG. 3 is a front view, the rear view being a mirror image
thereof;

(51) **LOC (9) Cl.** **30-03**

FIG. 4 is a right side view, the left side view being a mirror
image thereof;

(52) **U.S. Cl.** **D30/133; D30/130**

FIG. 5 is an enlarged top view thereof;

(58) **Field of Classification Search** D30/133,
D30/121, 128, 130, 132; 119/52.1, 55, 61.5–61.56;
D6/480–485; 248/188; 312/204; 108/153.1–157
See application file for complete search history.

FIG. 6 is an enlarged bottom view thereof, illustrating the
riser legs in a stored position;

(56) **References Cited**

FIG. 7 is a bottom perspective view thereof illustrating the
riser legs in an assembled position;

U.S. PATENT DOCUMENTS

FIG. 8 is a top perspective view illustrating the riser legs in an
assembled position;

D237,787 S *	11/1975	Weyrich, Jr.	D34/24
4,357,905 A *	11/1982	Carpenter	119/61.53
D312,896 S *	12/1990	Goetz	D30/130
D313,488 S *	1/1991	Conner	D30/130
D393,107 S *	3/1998	Tsengas	D30/121
D412,377 S *	7/1999	Sharon	D30/130
D424,759 S *	5/2000	Sipka	D30/130
D551,400 S *	9/2007	Tsengas	D30/133
7,341,019 B1 *	3/2008	Tsengas	119/61.5
D577,466 S *	9/2008	Shamoon	D30/133
2008/0196668 A1 *	8/2008	Clark	119/51.5

FIG. 9 is an enlarged front view illustrating the riser legs in an
assembled position, the rear view being a mirror image
thereof;

* cited by examiner

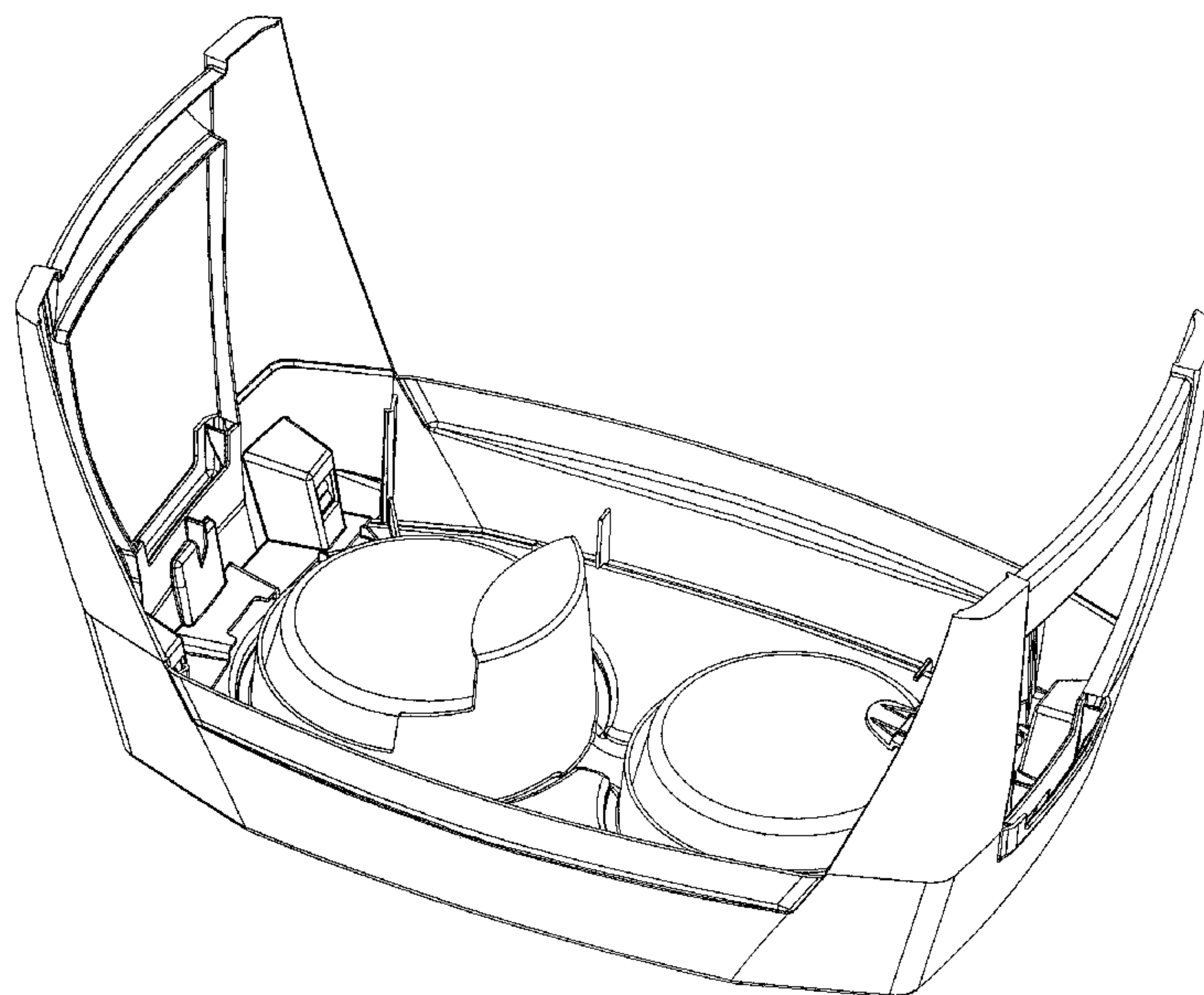
FIG. 10 is an enlarged right side view illustrating the riser legs
in an assembled position, the left side view being a mirror
image thereof;

Primary Examiner—Susan Moon Lee

FIG. 11 is an enlarged top view illustrating the riser legs in an
assembled position; and,

FIG. 12 is an enlarged bottom view illustrating the riser legs
in an assembled position.

1 Claim, 12 Drawing Sheets



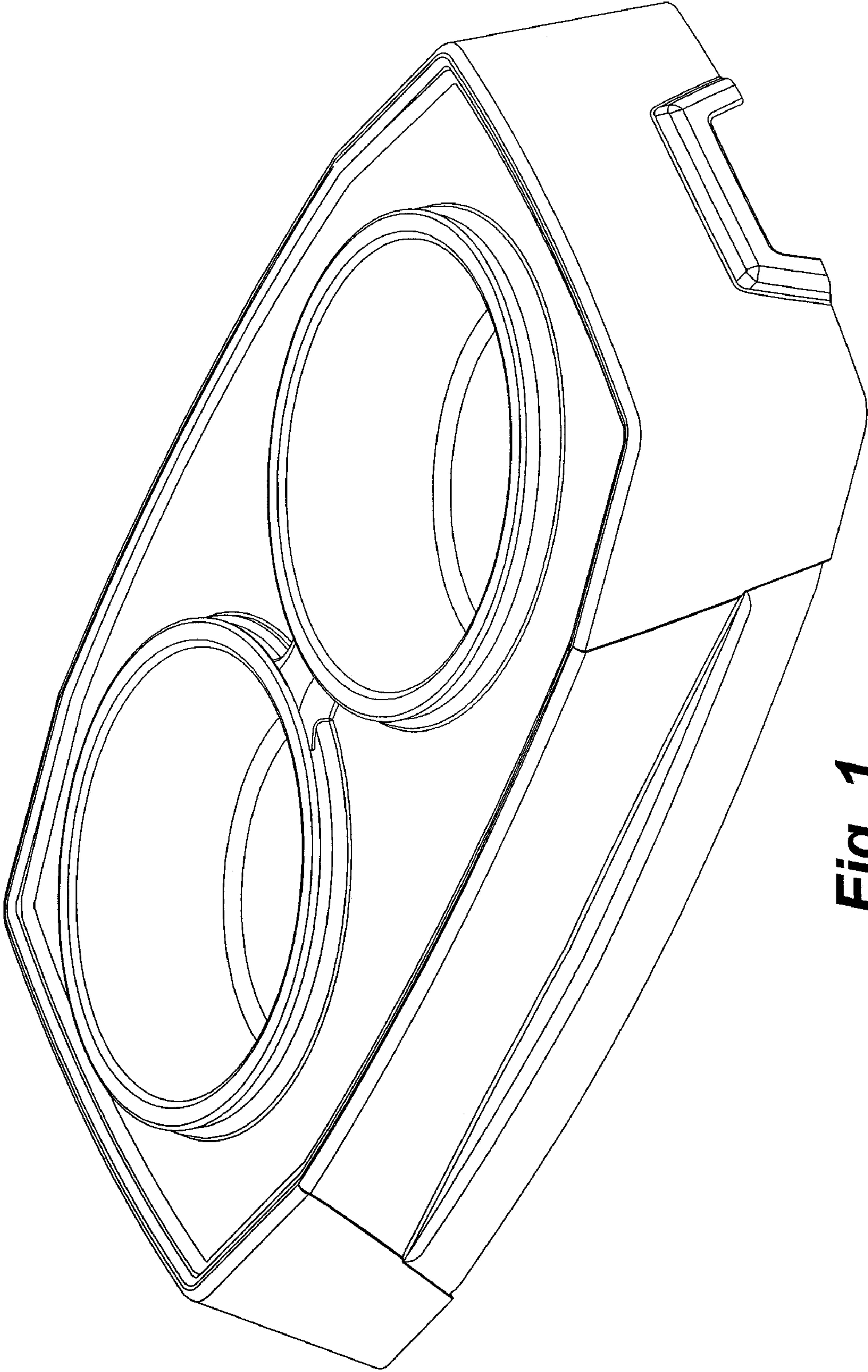


Fig. 1

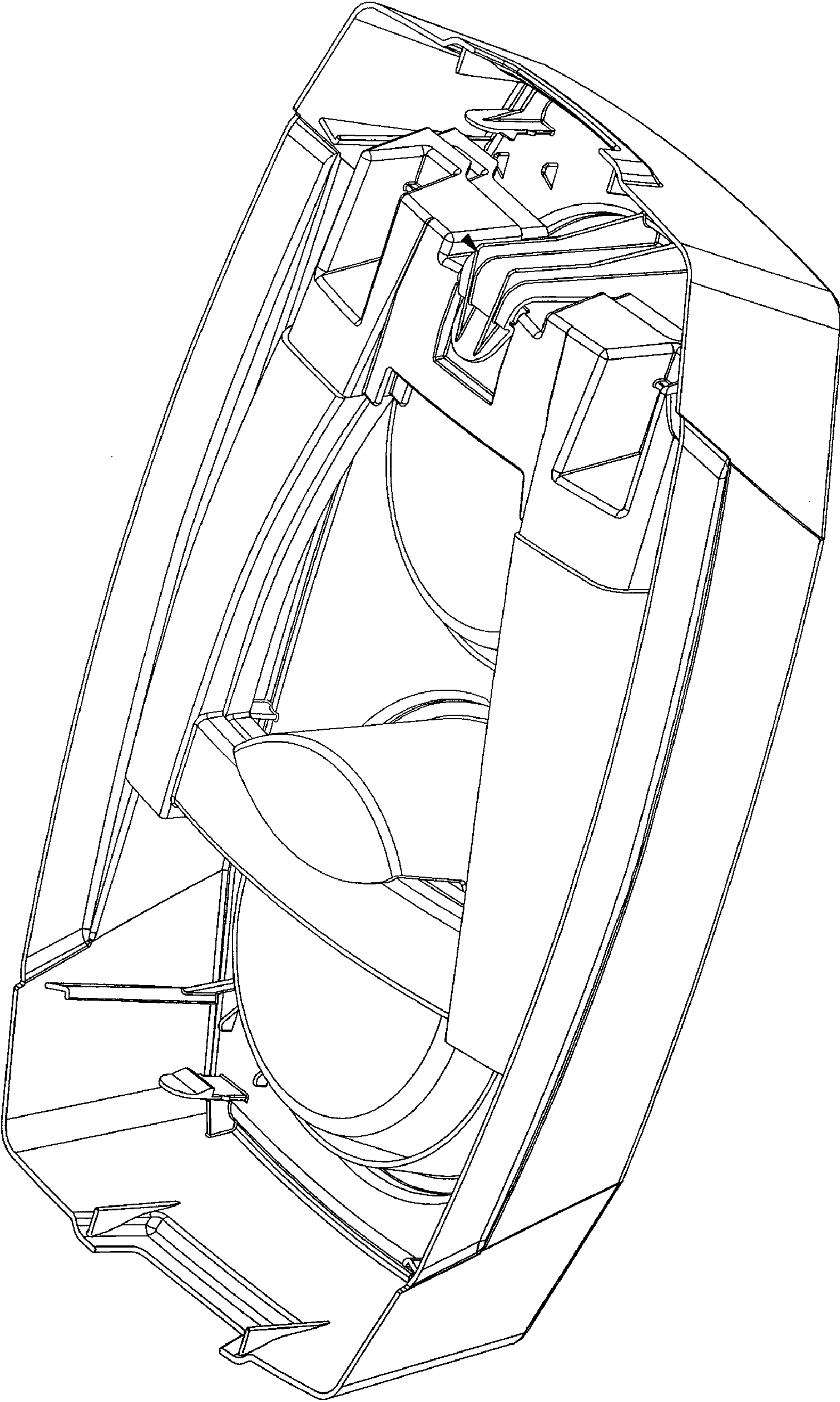


Fig. 2

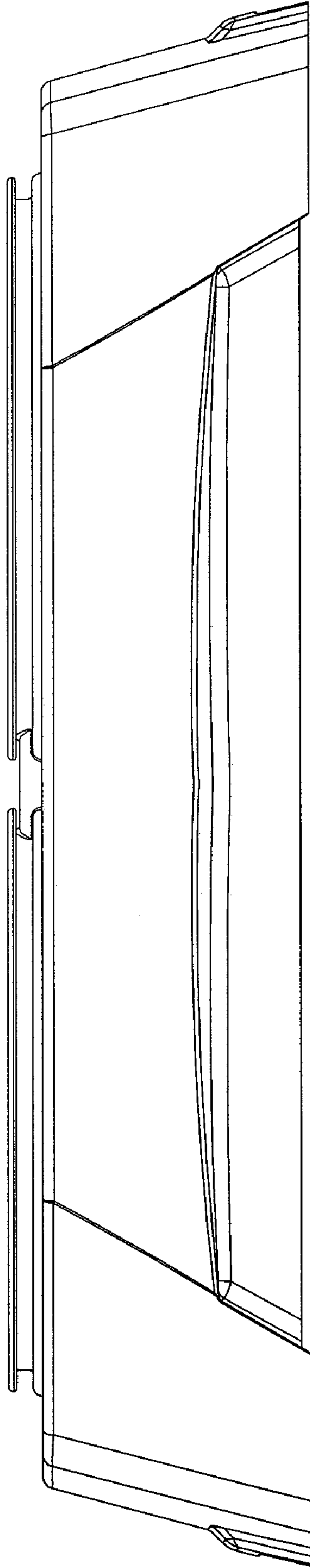


Fig. 3

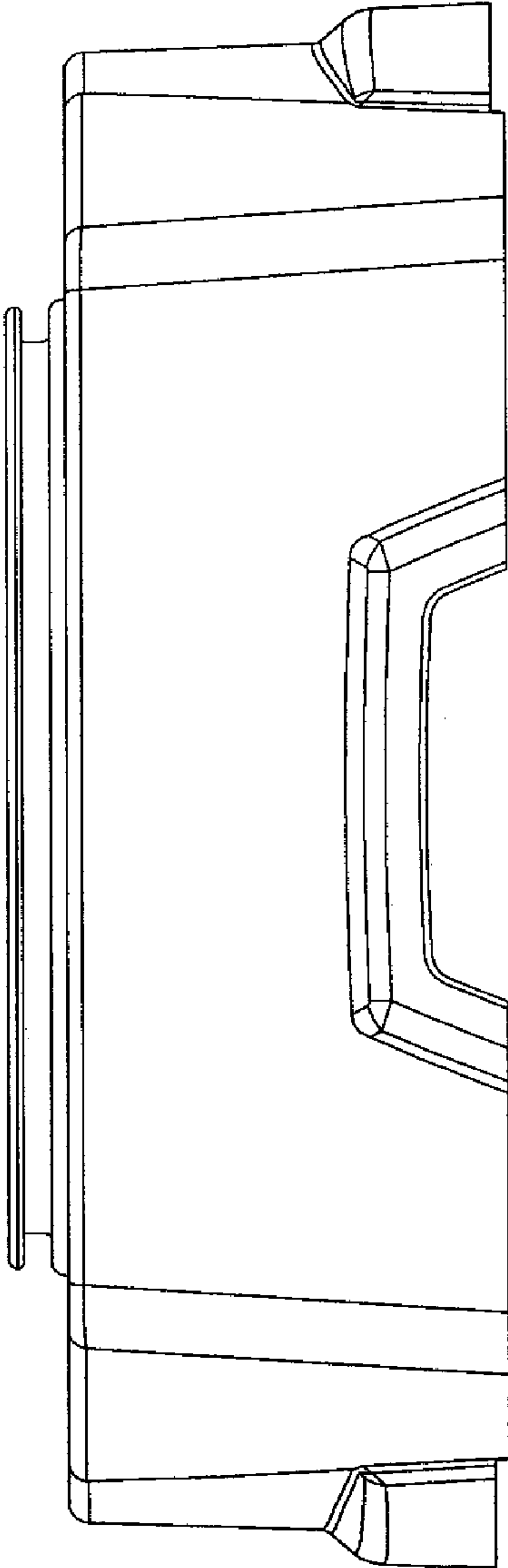


Fig. 4

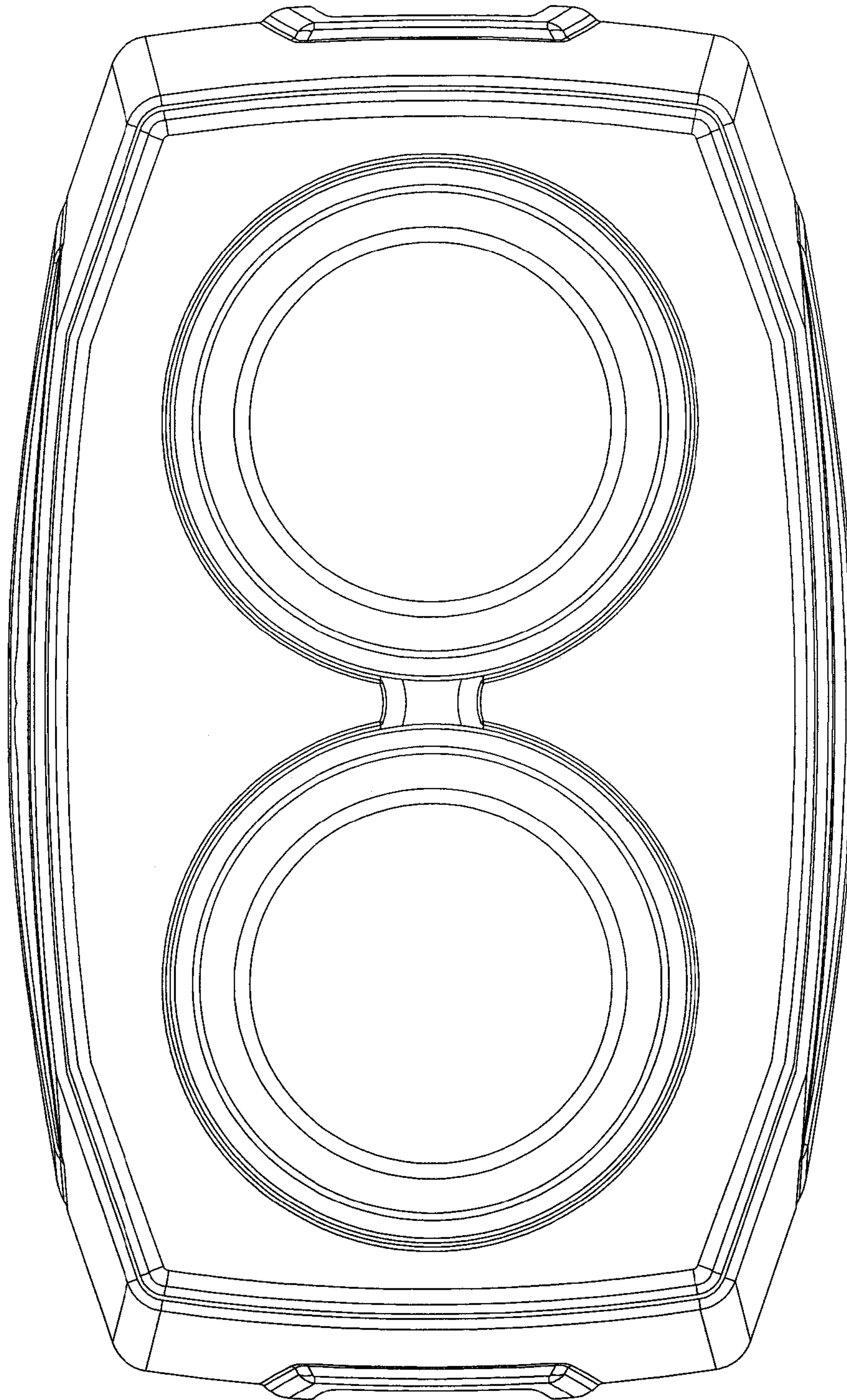


Fig. 5

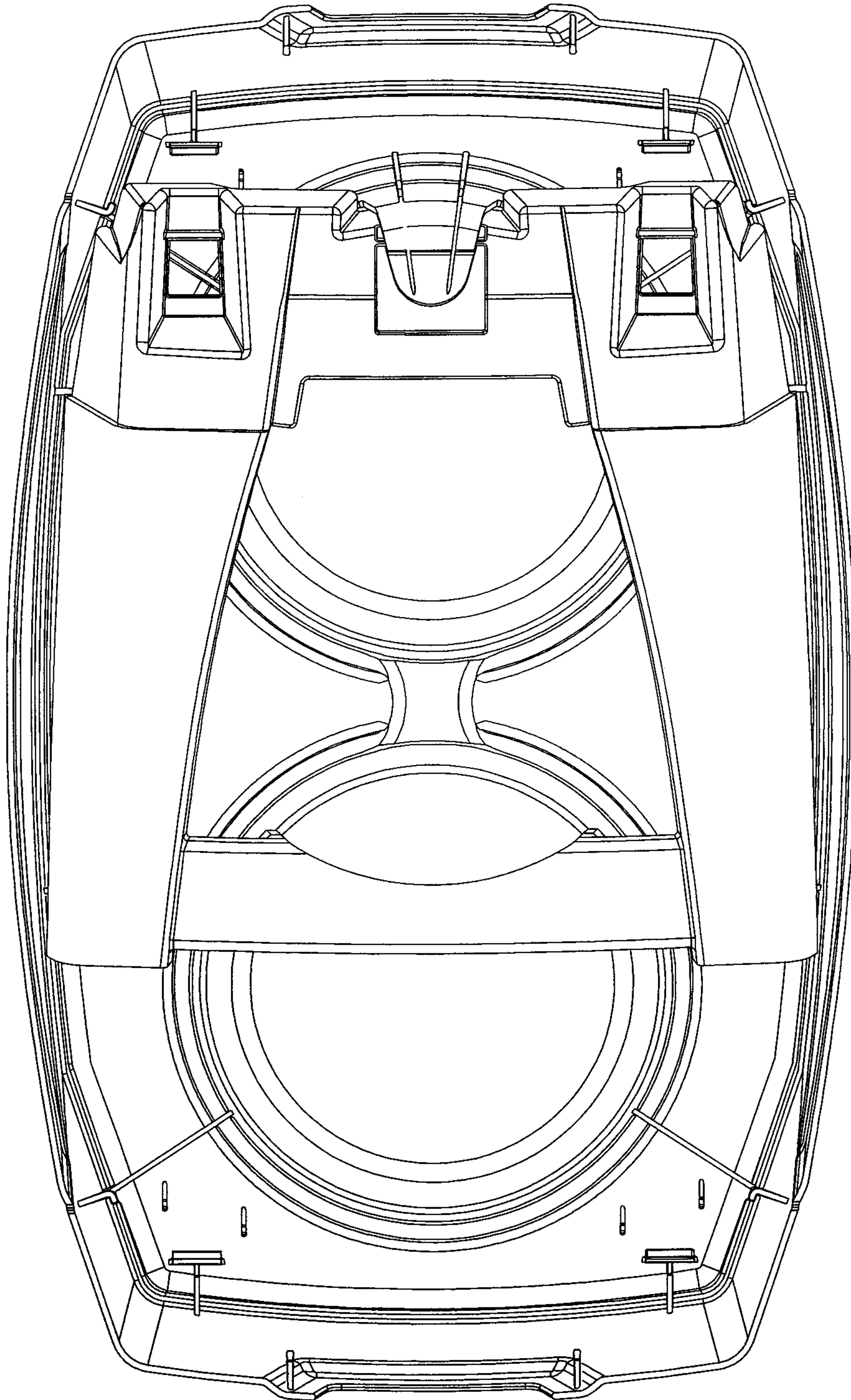


Fig. 6

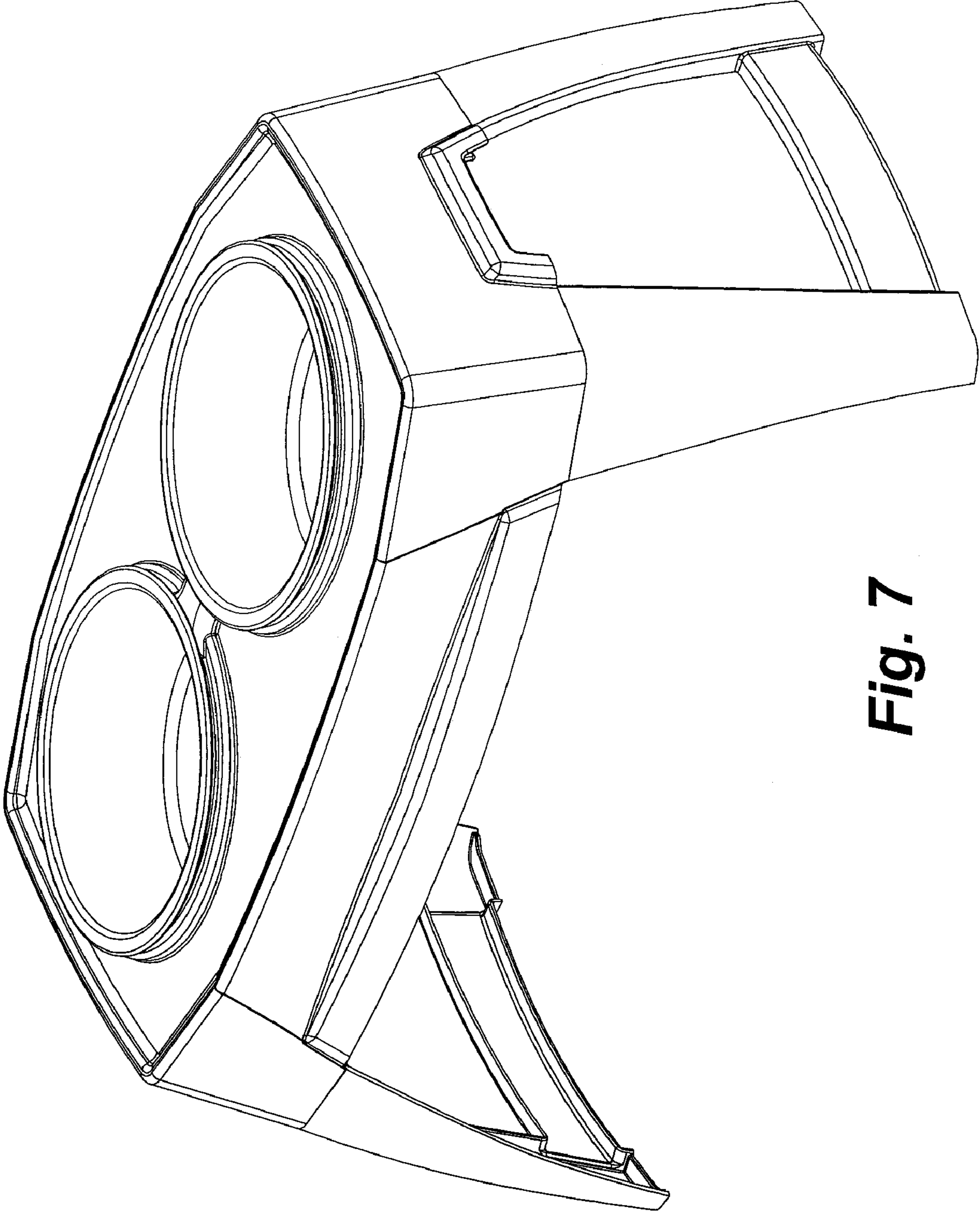


Fig. 7

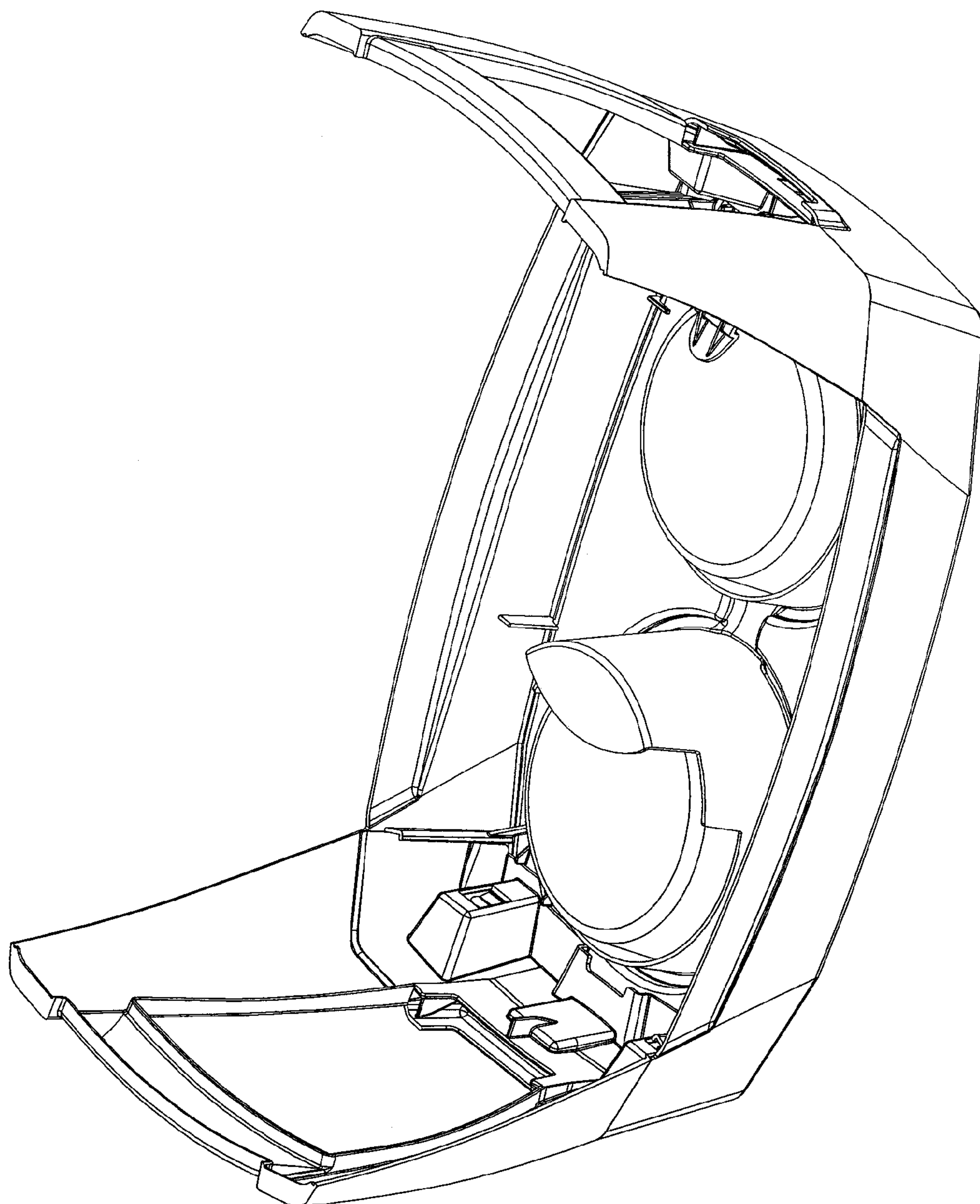


Fig. 8

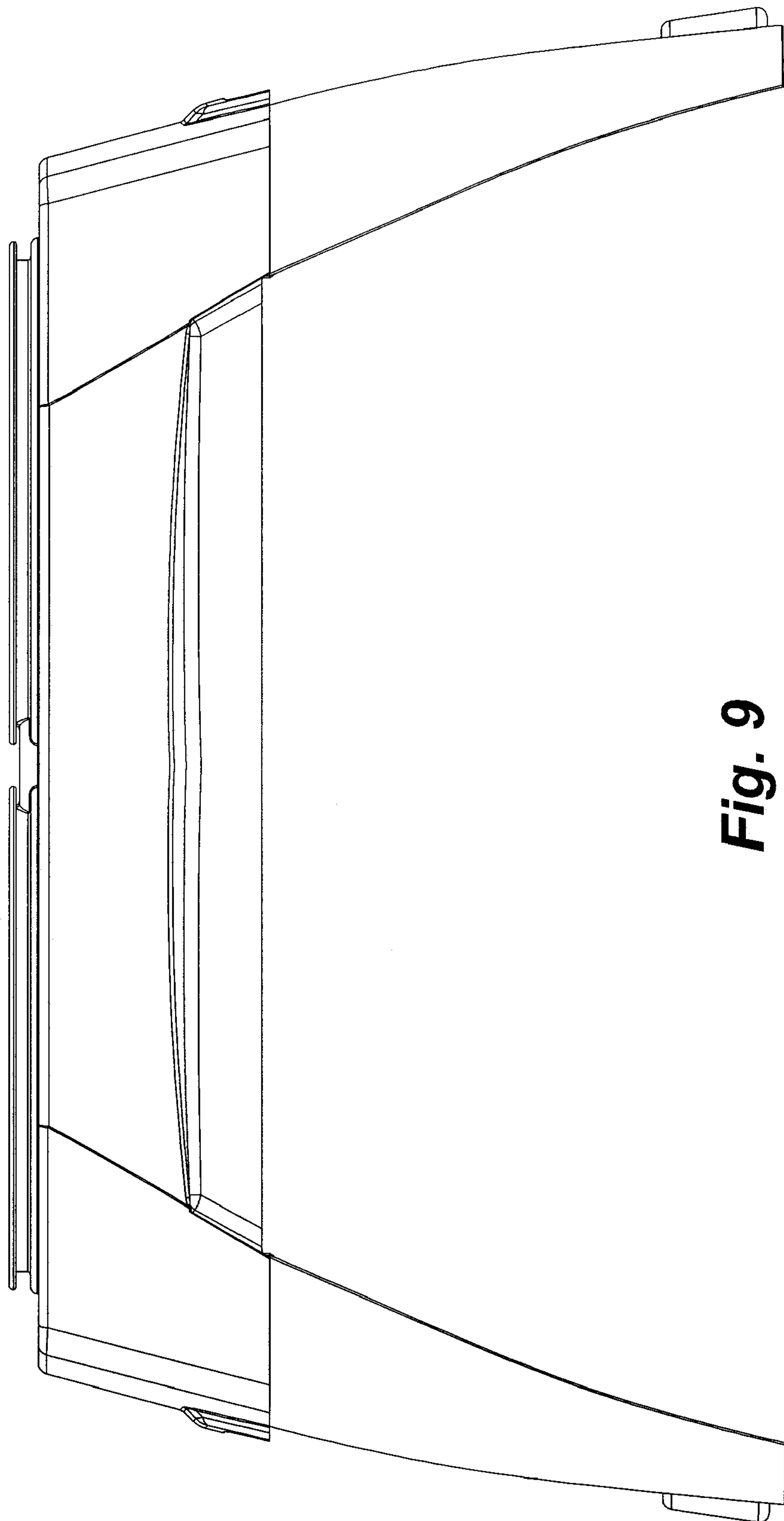


Fig. 9

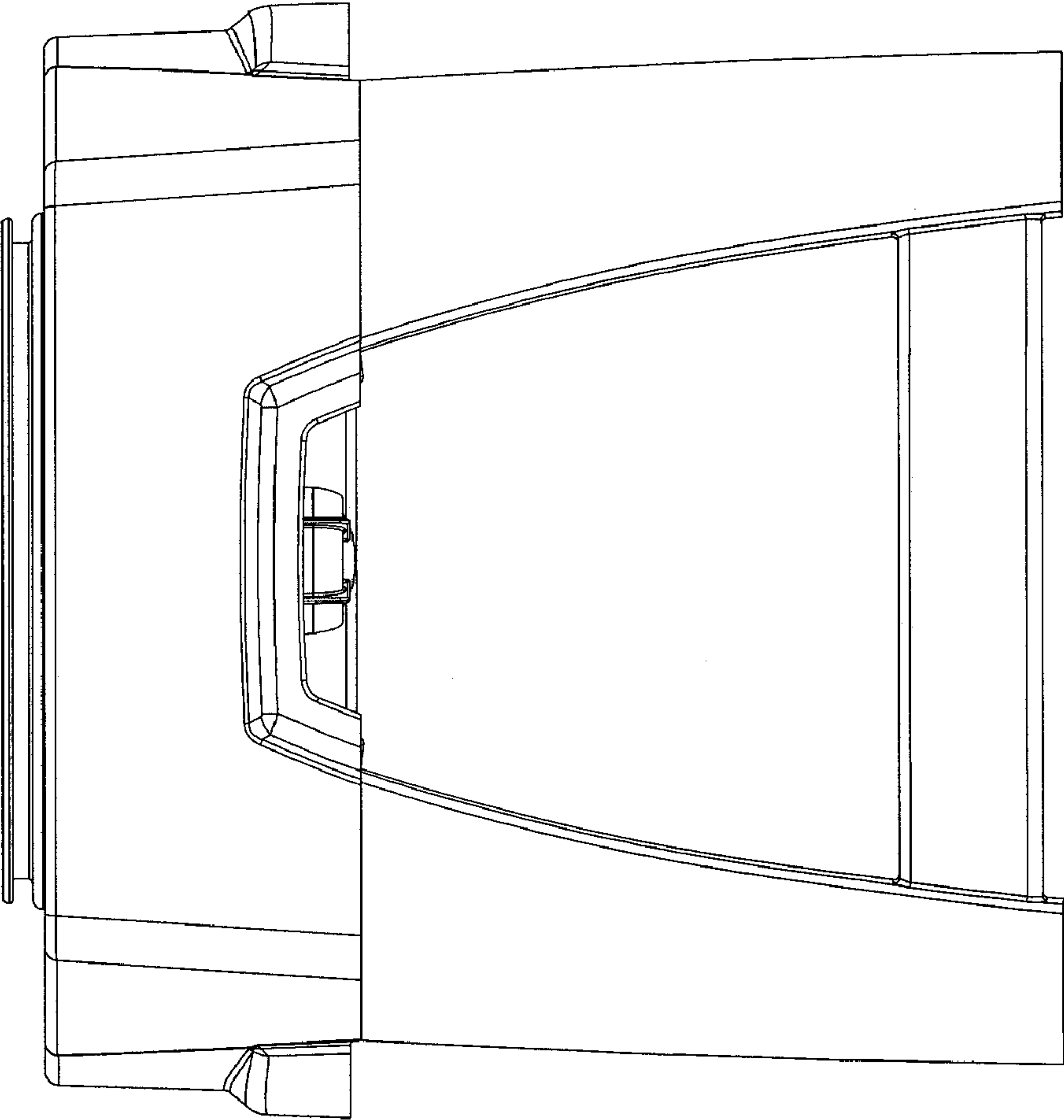


Fig. 10

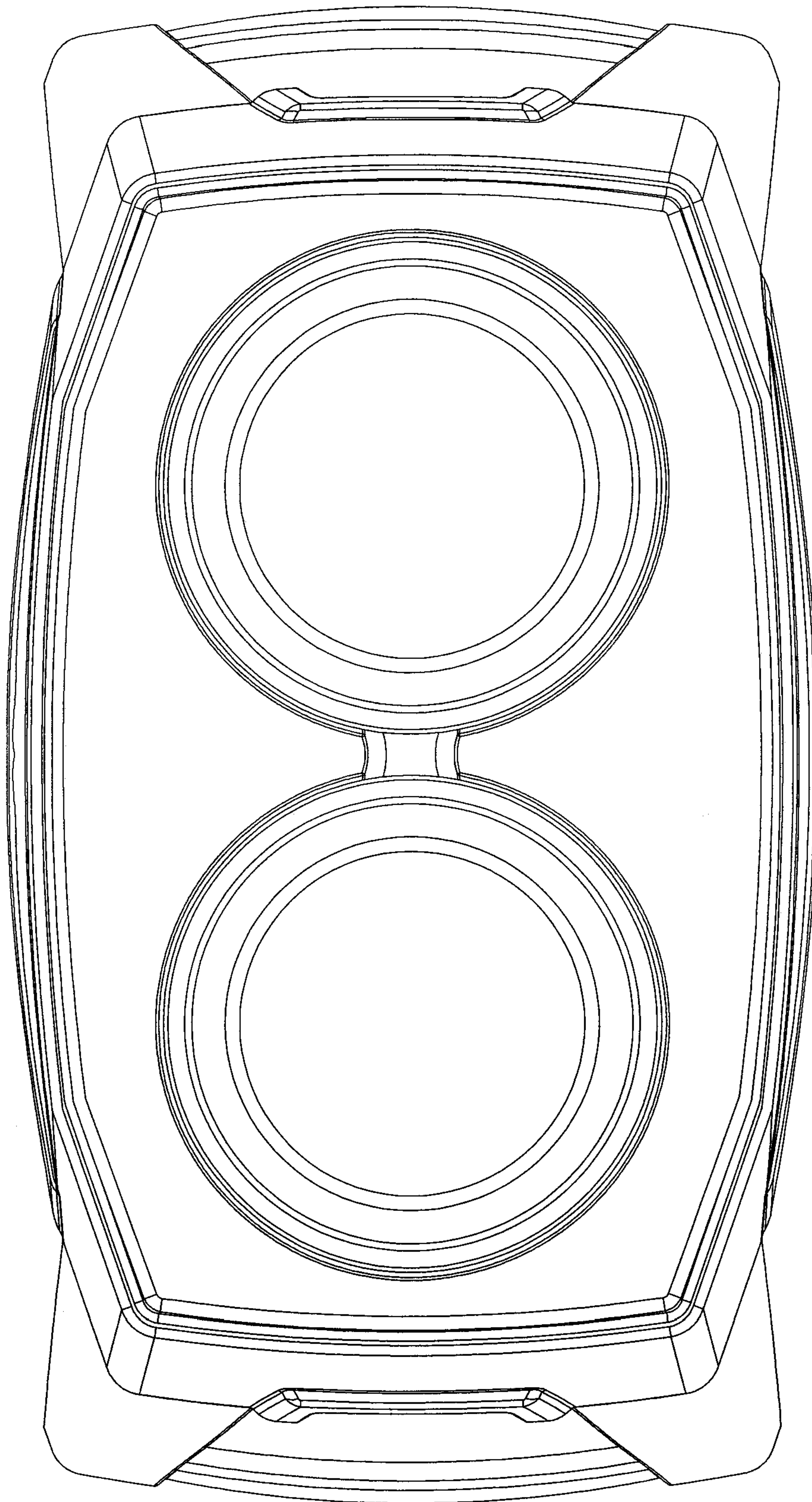


Fig. 11

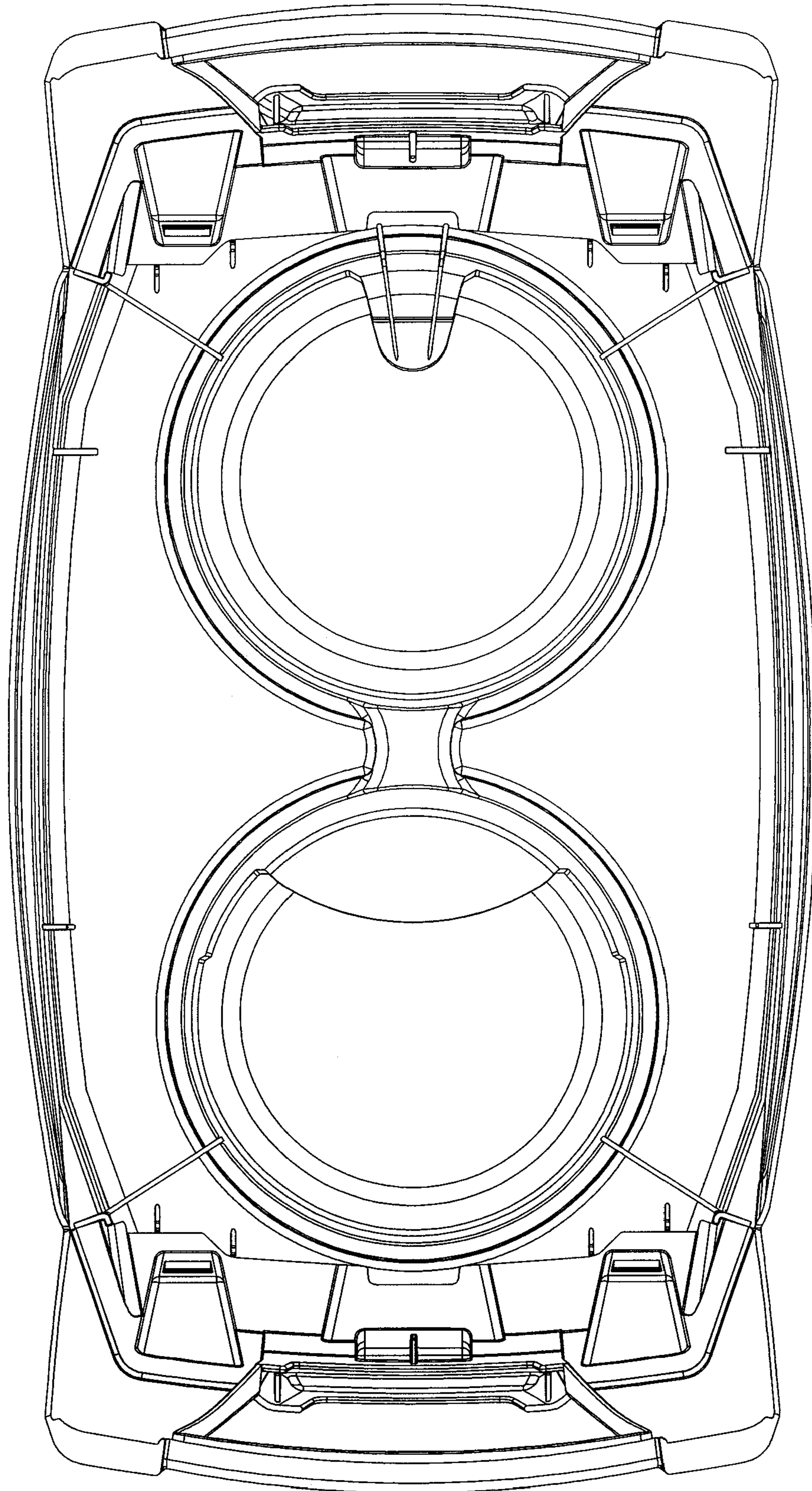


Fig. 12