



US00D592805S

(12) **United States Design Patent**  
**Refior**

(10) **Patent No.:** **US D592,805 S**  
(45) **Date of Patent:** **\*\* May 19, 2009**

(54) **ELECTRIC SHAVER**

(75) Inventor: **Philipp Refior**, Tokyo (JP)

(73) Assignee: **Panasonic Electric Works Co., Ltd.**,  
Osaka (JP)

(\*\*) Term: **14 Years**

(21) Appl. No.: **29/308,365**

(22) Filed: **Jun. 12, 2008**

(30) **Foreign Application Priority Data**

Dec. 28, 2007 (JP) ..... 2007-036050

(51) **LOC (9) Cl.** ..... **28-03**

(52) **U.S. Cl.** ..... **D28/51**

(58) **Field of Classification Search** ..... D28/44,  
D28/44.1, 49-54; 30/29.5, 32, 34.05, 34.1,  
30/43-43.92, 44-45, 47-50, 84, 527

See application file for complete search history.

(56) **References Cited**

**U.S. PATENT DOCUMENTS**

D341,677 S *	11/1993	van Asten	.....	D28/49
5,400,508 A *	3/1995	Deubler	.....	30/43.92
D439,702 S *	3/2001	Sulik	.....	D28/49
D537,206 S *	2/2007	Ullmann	.....	D28/49
2007/0220752 A1 *	9/2007	Psimadas et al.	.....	30/34.05

\* cited by examiner

*Primary Examiner*—Jennifer Rivard

(74) *Attorney, Agent, or Firm*—Osha • Liang LLP

(57) **CLAIM**

The ornamental design for an electric shaver, as shown and described.

**DESCRIPTION**

FIG. 1 is a front perspective view of the design for an electric shaver according to the invention.

FIG. 2 is a front view of the design according to the invention.

FIG. 3 is a right side view of the design according to the invention.

FIG. 4 is a rear view of the design according to the invention.

FIG. 5 is a top view of the design according to the invention.

FIG. 6 is an enlarged top view of the design as shown in FIG. 5 according to the invention.

FIG. 7 is a bottom view of the design according to the invention.

FIG. 8 is a front perspective of the design according to the invention in an alternate position, where a gripping cover is slid.

FIG. 9 is a front view of the design according to the invention in the alternate position, where the gripping cover is slid.

FIG. 10 is a right side view of the design according to the invention in the alternate position, where the gripping cover is slid.

FIG. 11 is a rear view of the design according to the invention in the alternate position, where the gripping cover is slid.

FIG. 12 is a top view of the design according to the invention in the alternate position, where the gripping cover is slid.

FIG. 13 is a bottom view of the design according to the invention in the alternate position, where the gripping cover is slid; and,

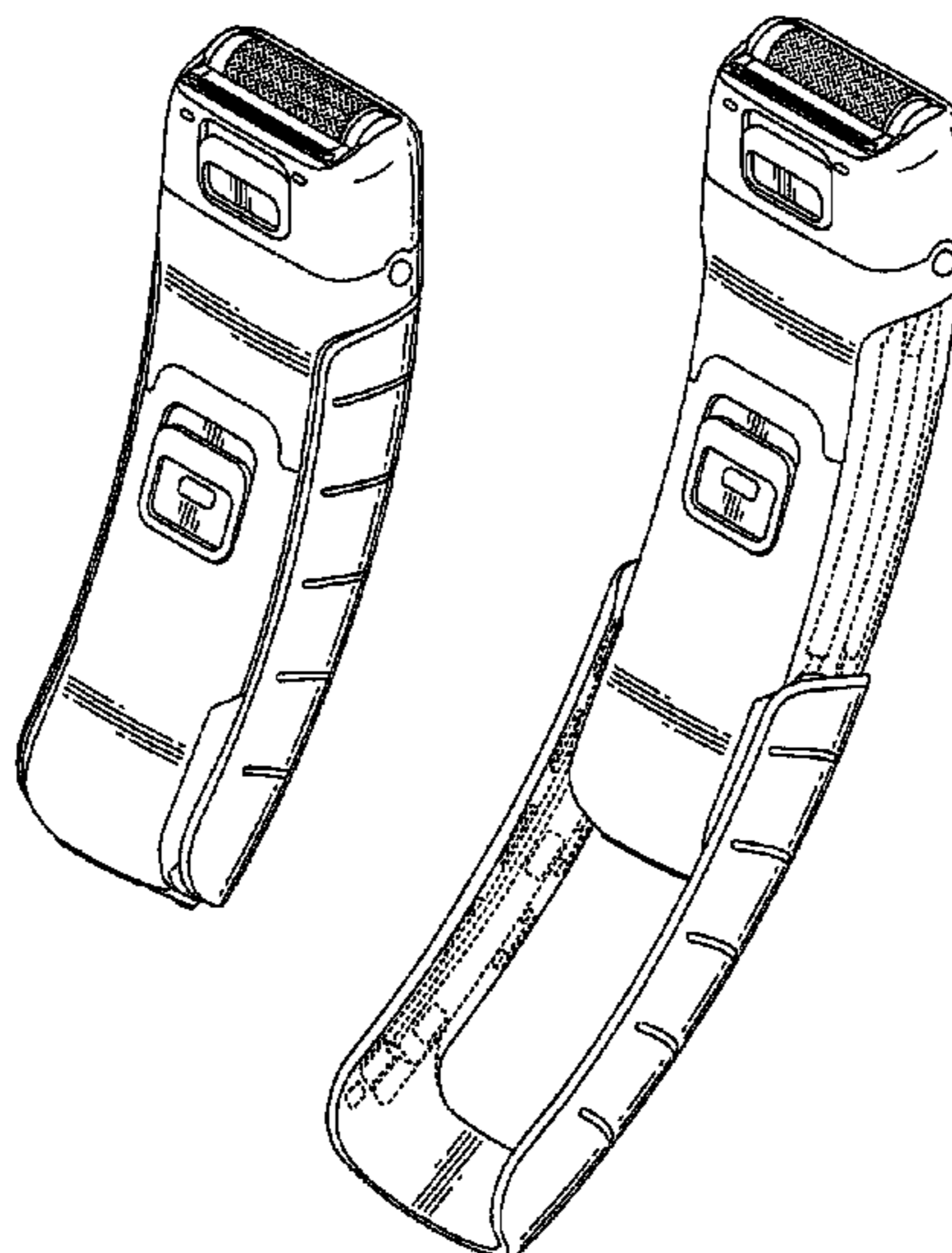
FIG. 14 is a reference view of the design according to the invention in another alternate position, where the gripping cover is pivoted.

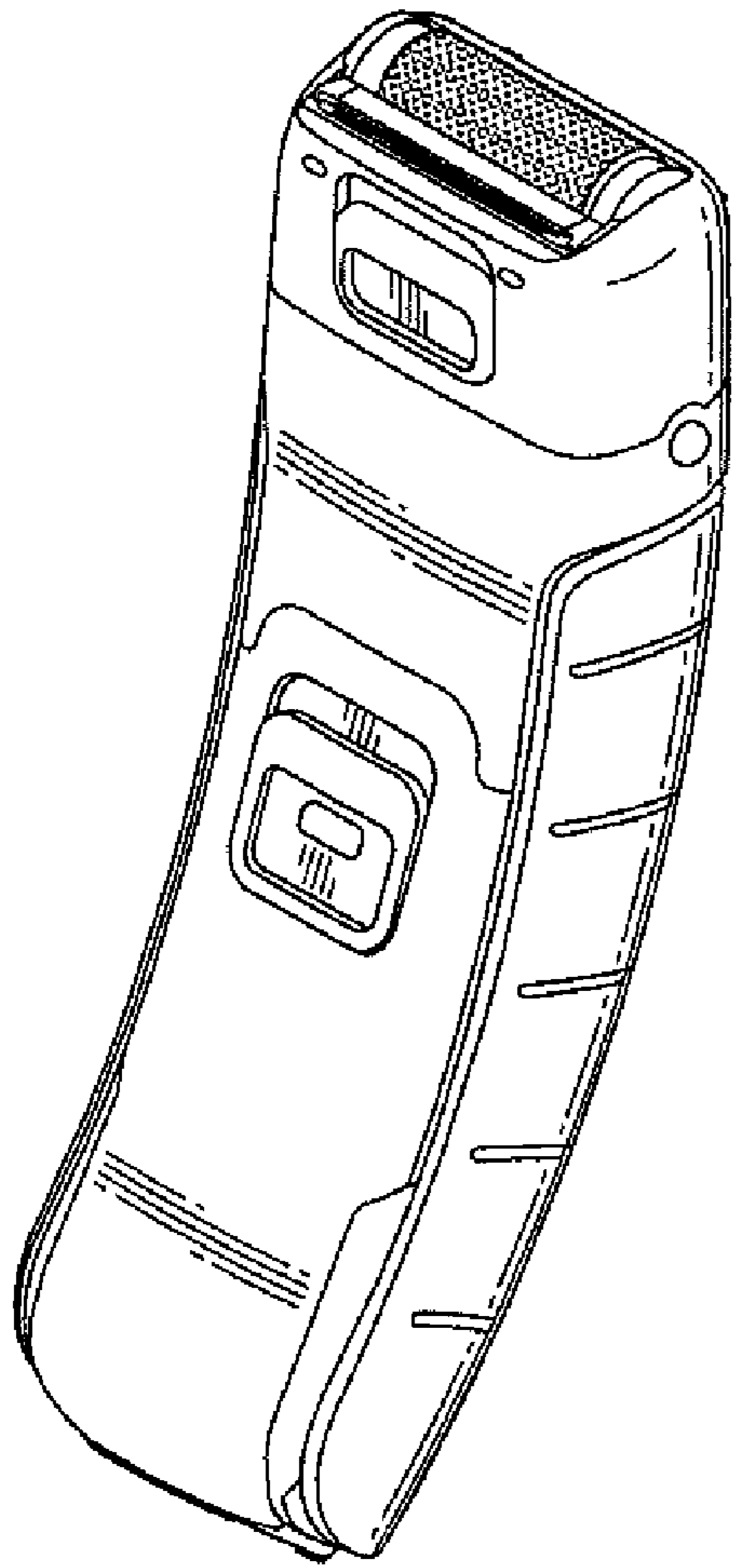
A left side view of the design according to the invention is a mirror image of the right side view as shown in FIG. 3.

A left side view of the design according the invention in the alternate position where the gripping cover is slid is a mirror image of the right side view as shown in FIG. 10.

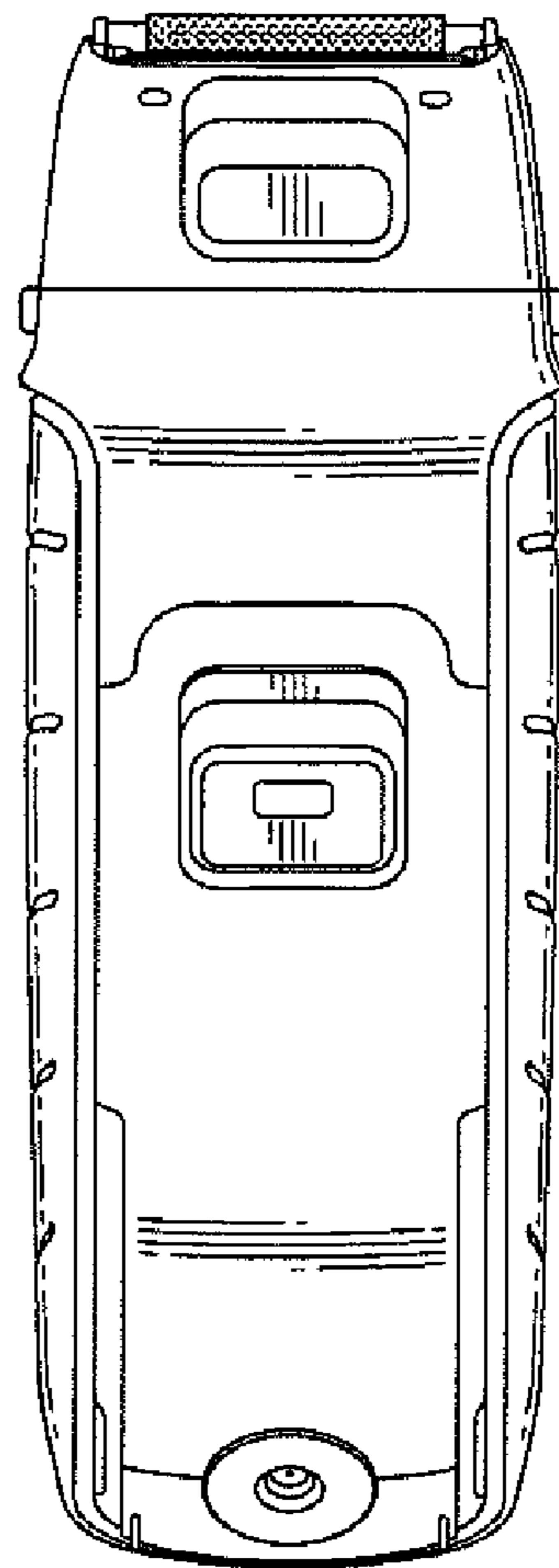
The elements shown in broken lines are for illustrative purposes only and form no part of the claimed invention.

**1 Claim, 7 Drawing Sheets**

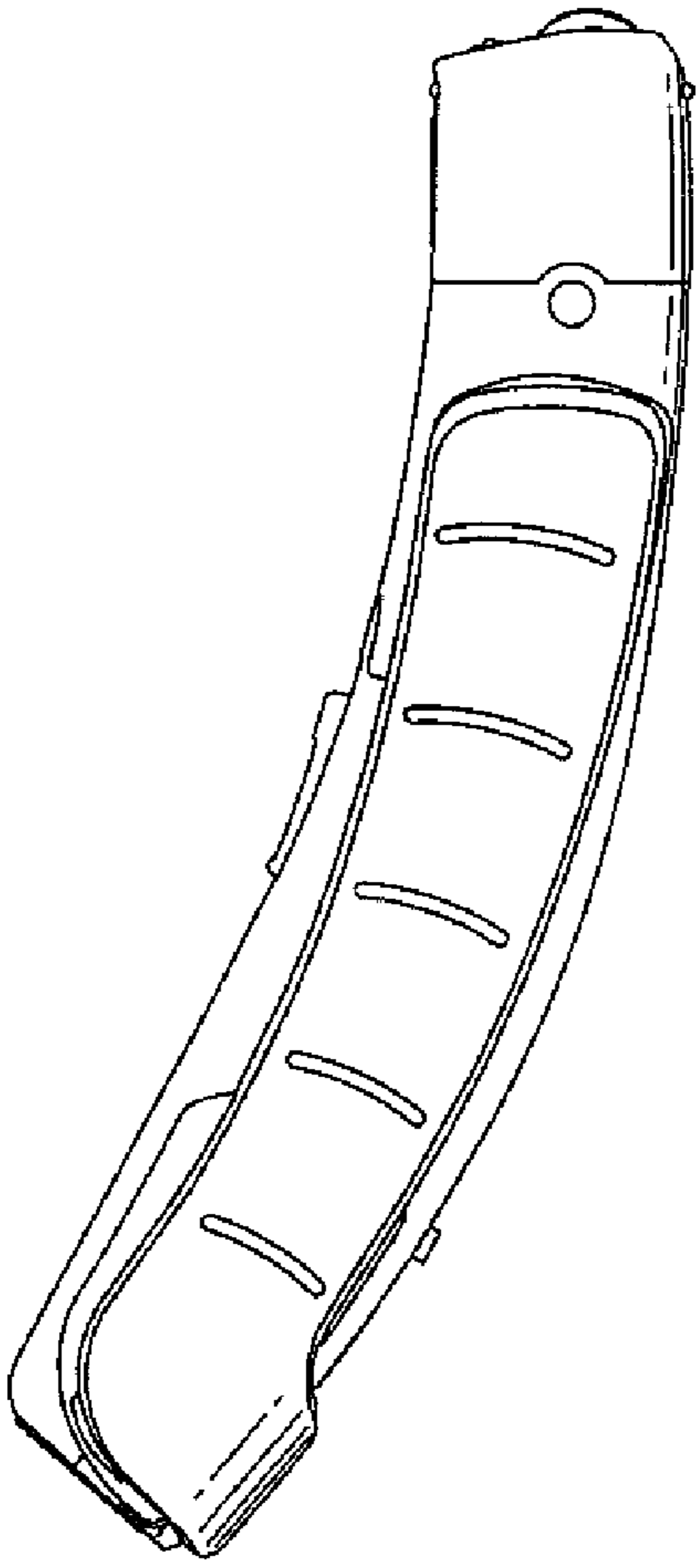




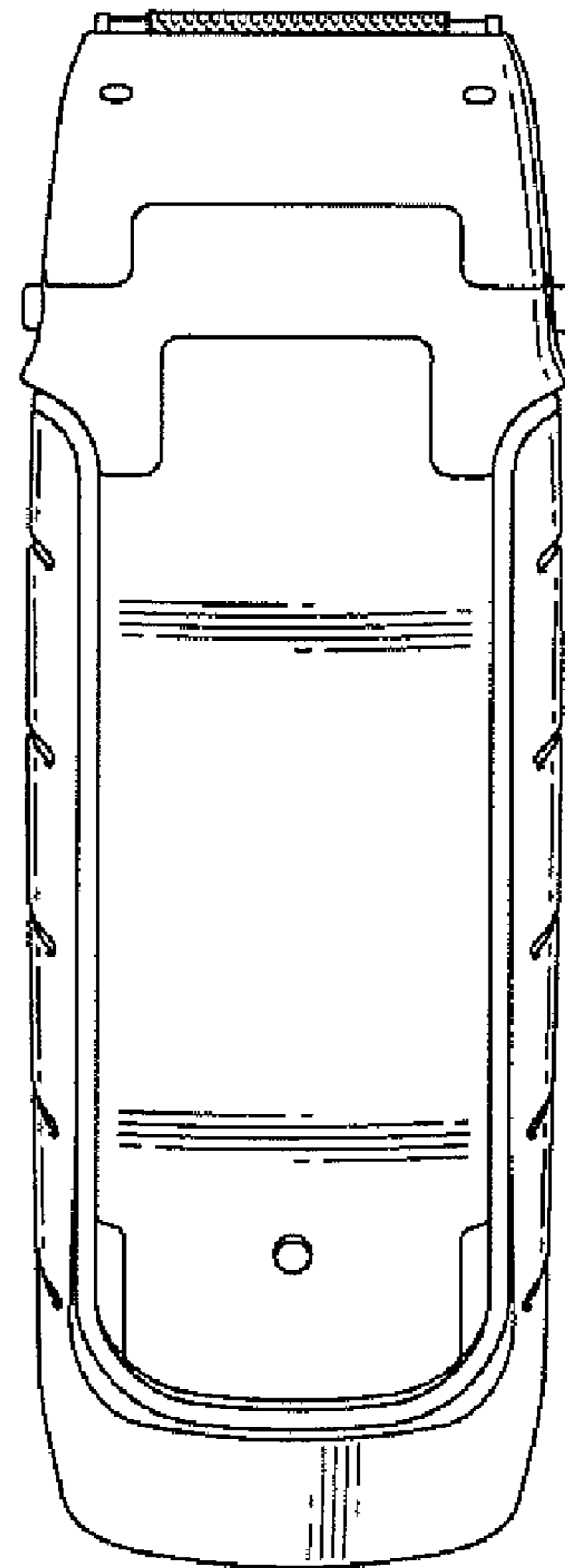
**FIG. 1**



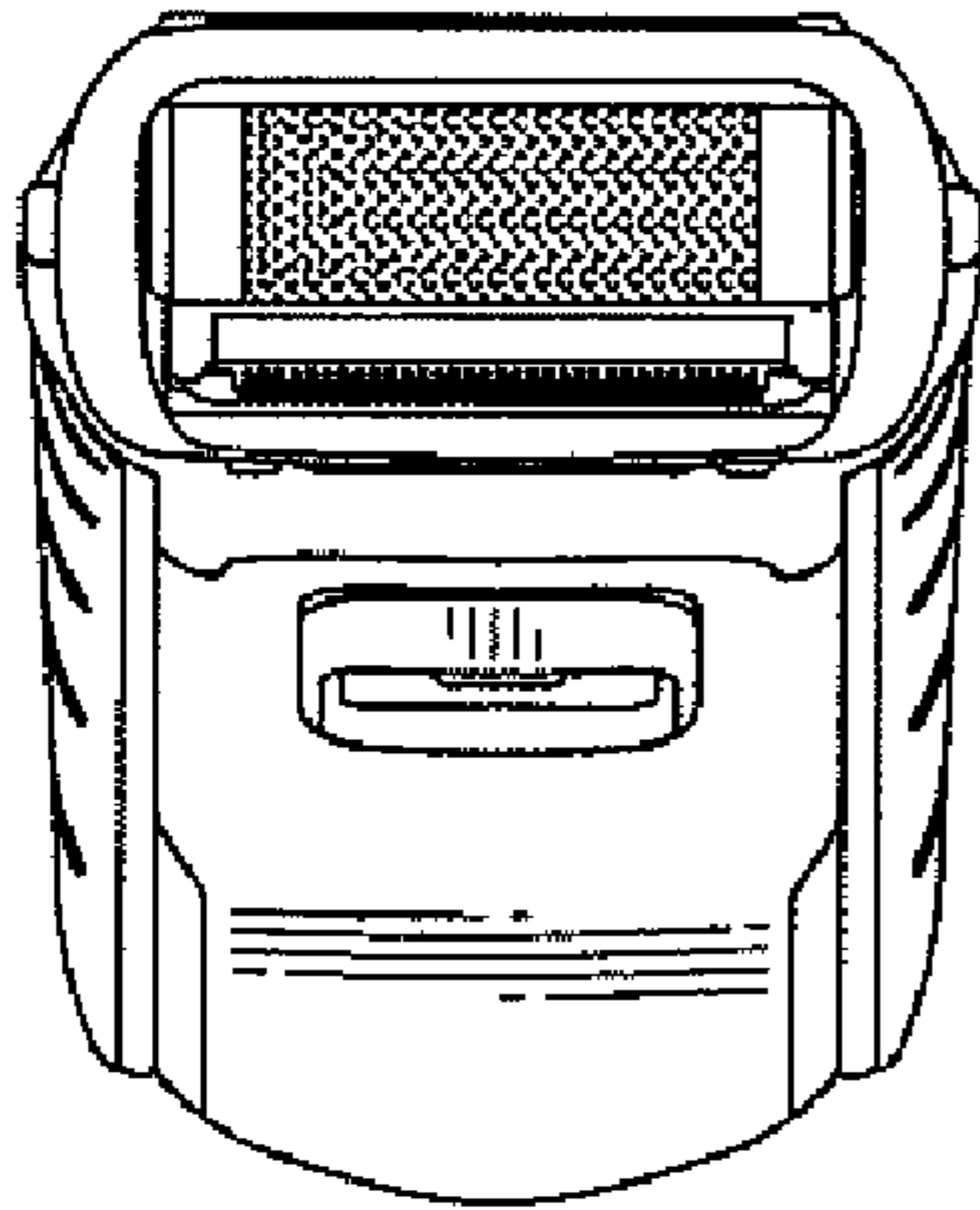
**FIG. 2**



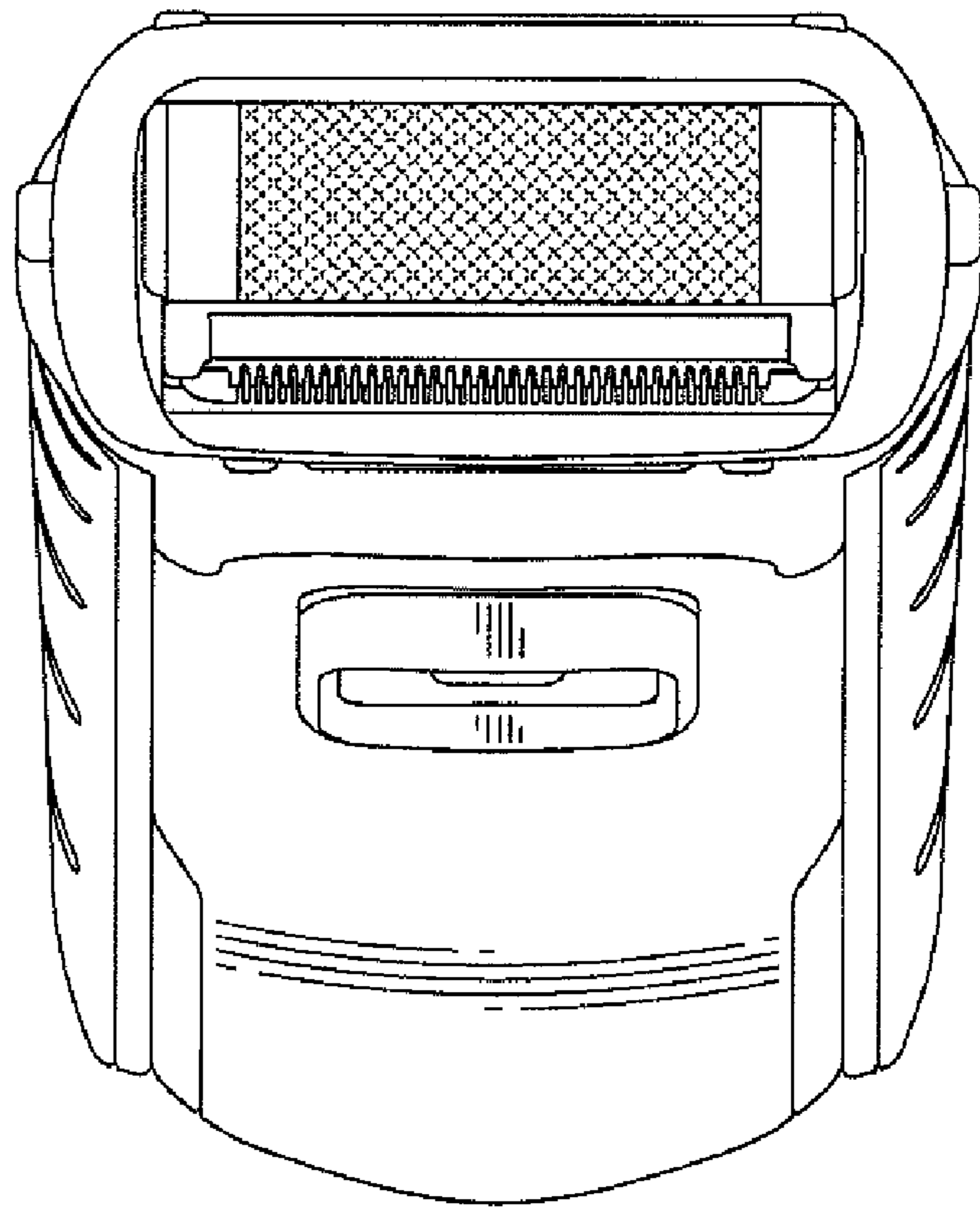
**FIG. 3**



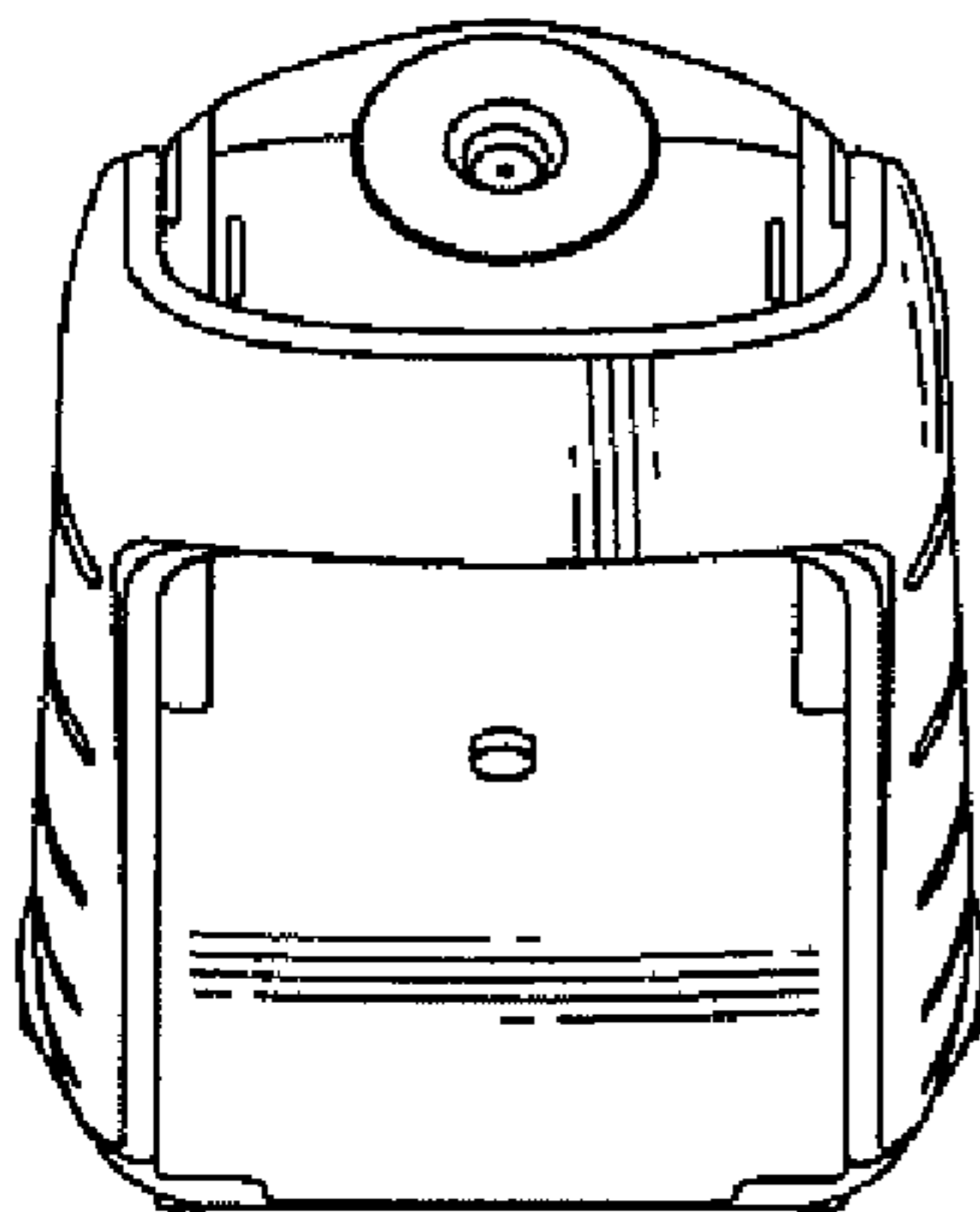
**FIG. 4**



**FIG. 5**



**FIG. 6**



**FIG. 7**

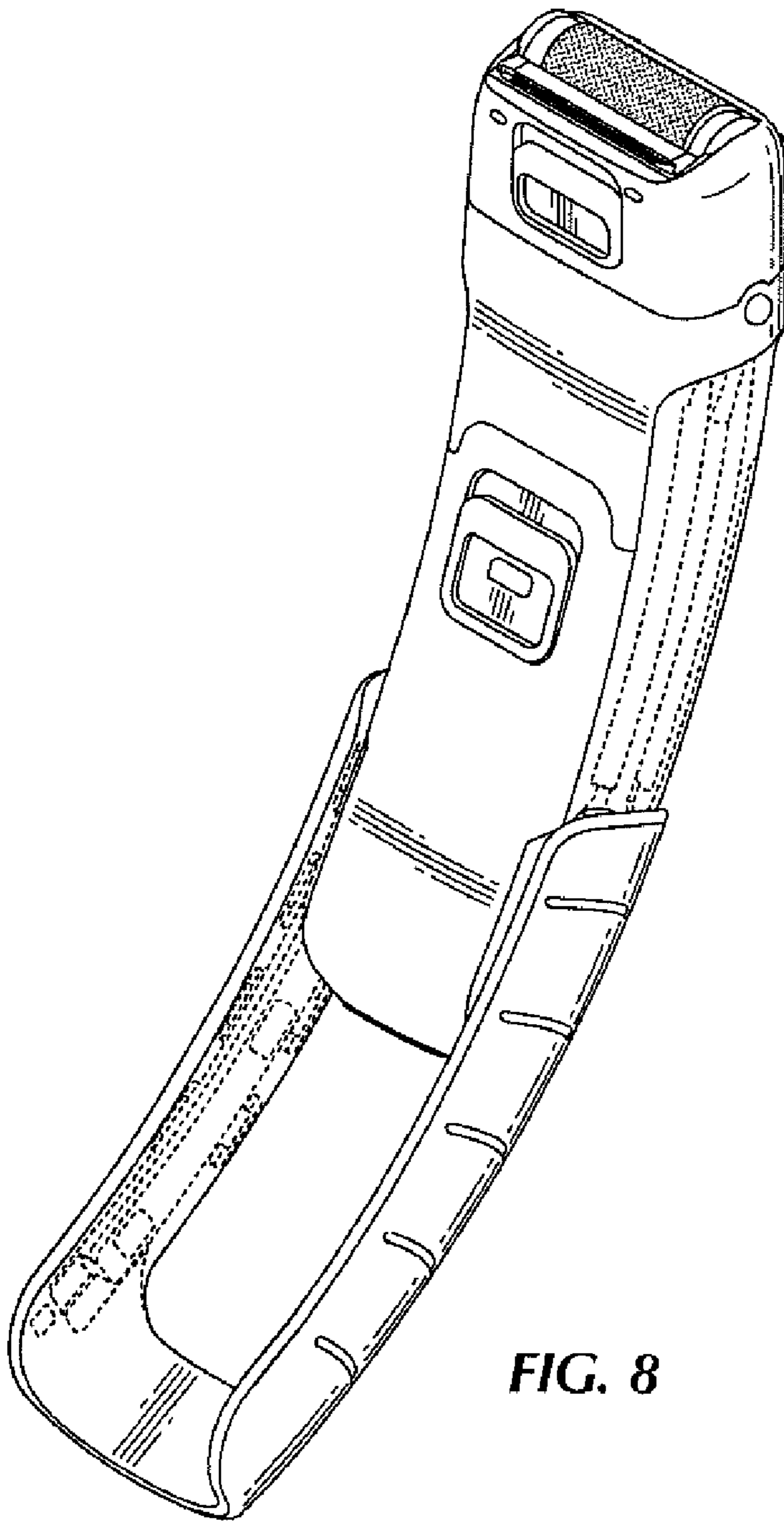


FIG. 8

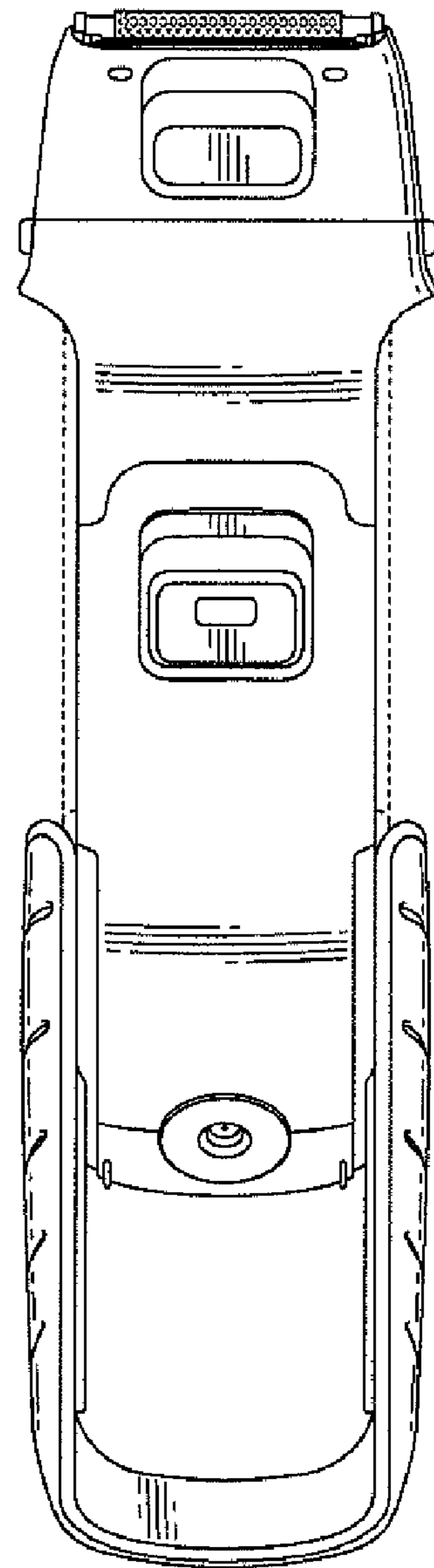
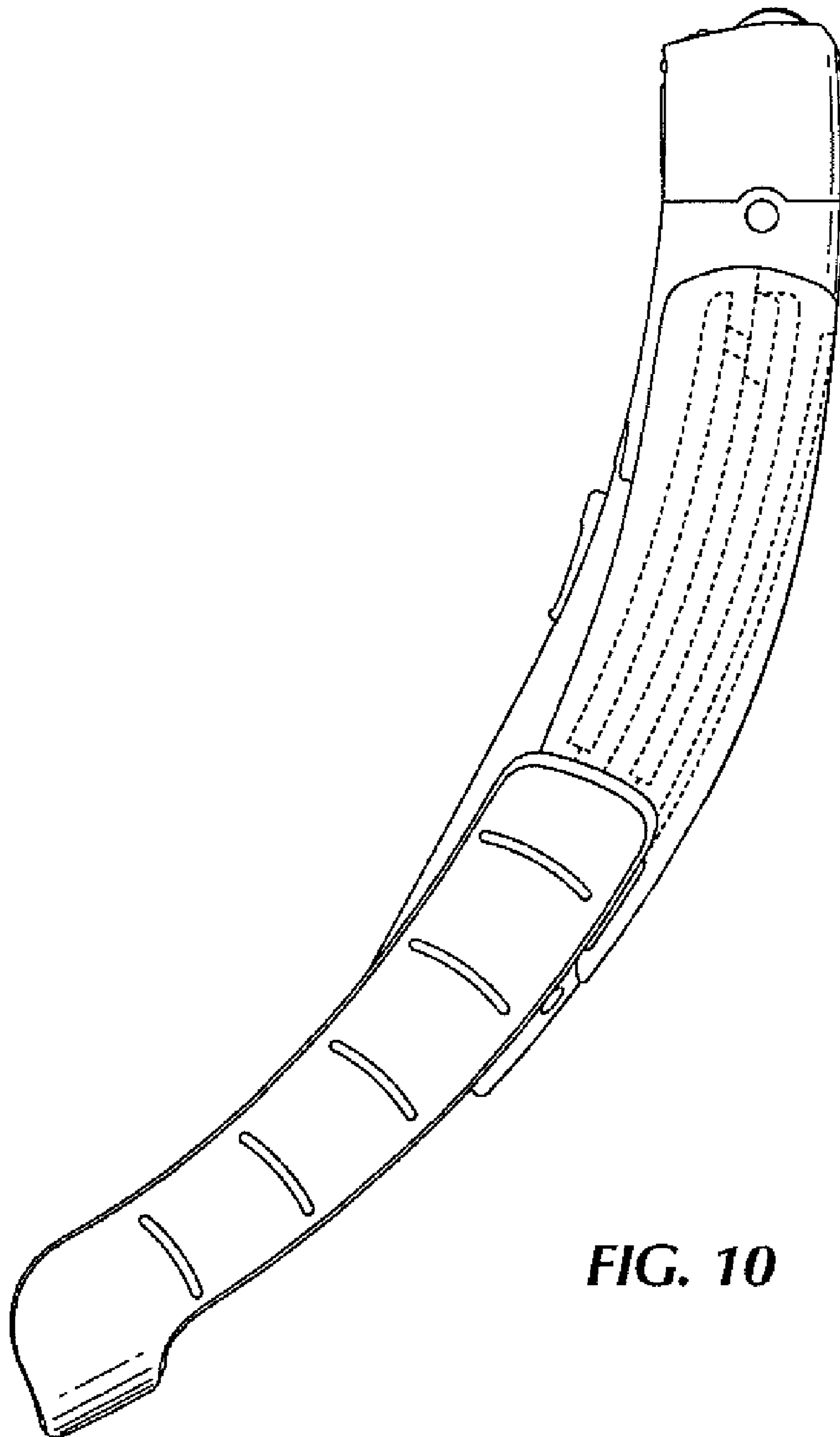
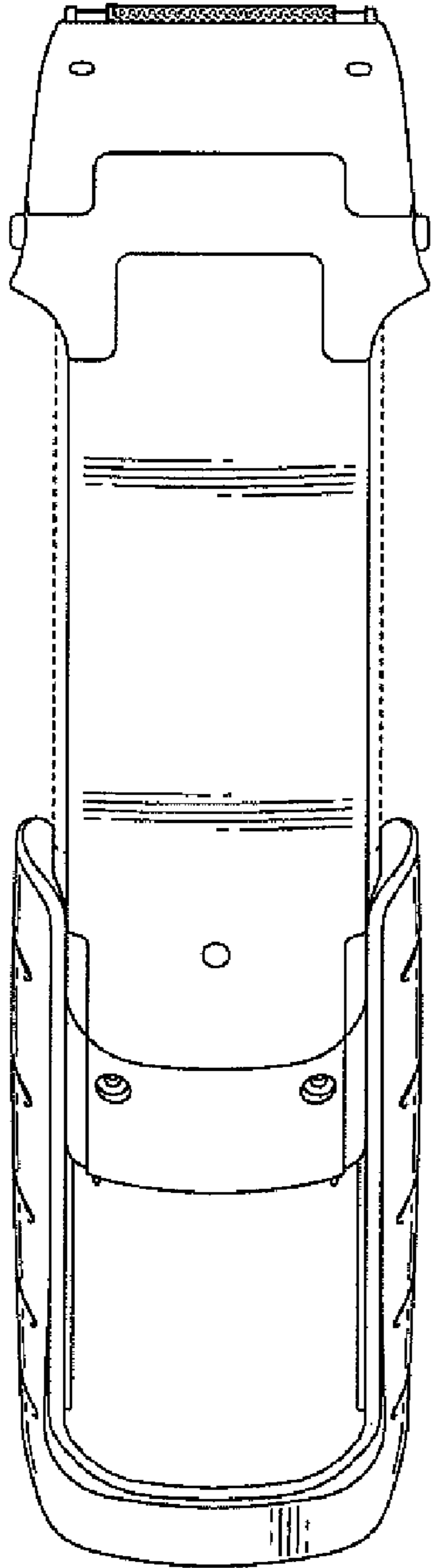


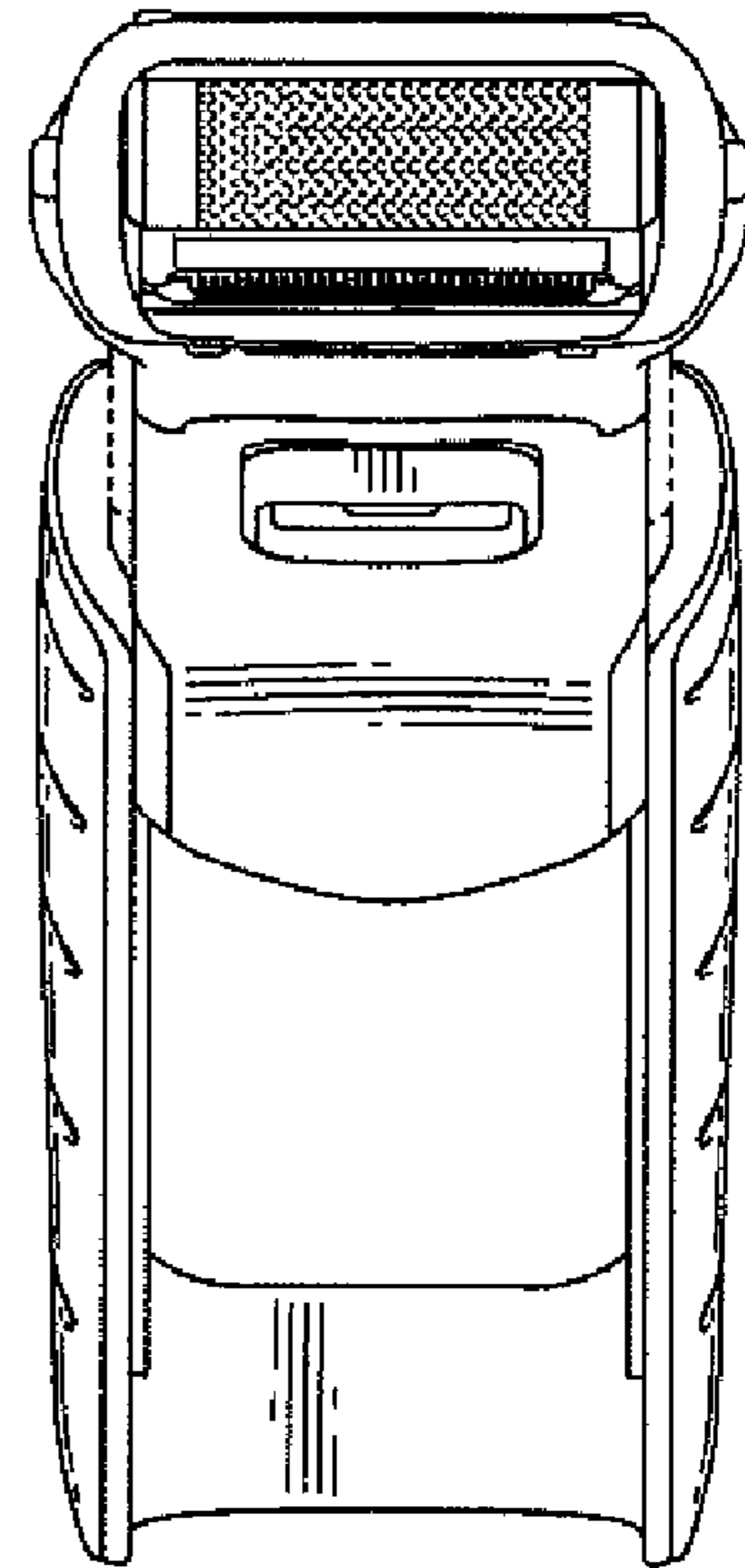
FIG. 9



**FIG. 10**



**FIG. 11**



**FIG. 12**

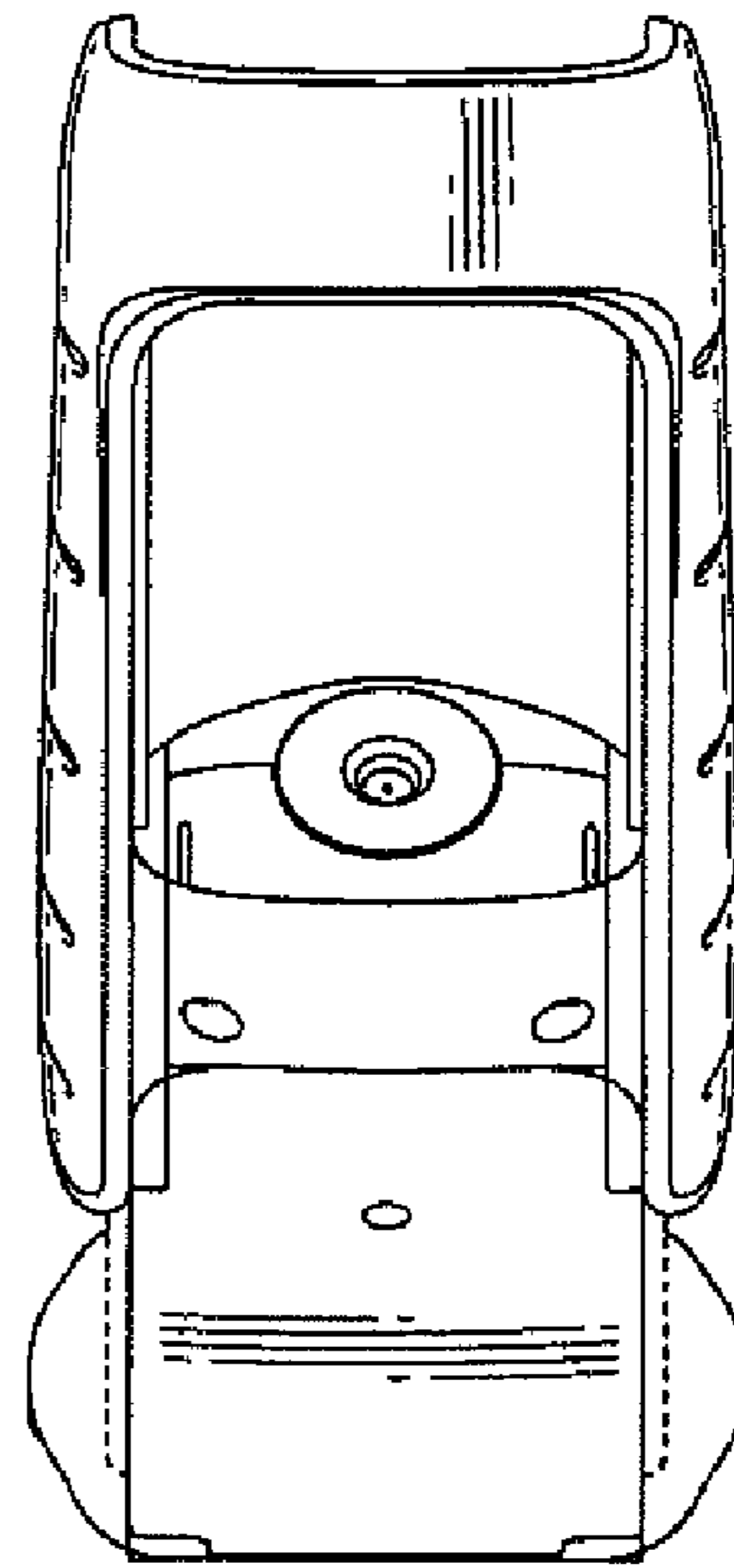


FIG. 13

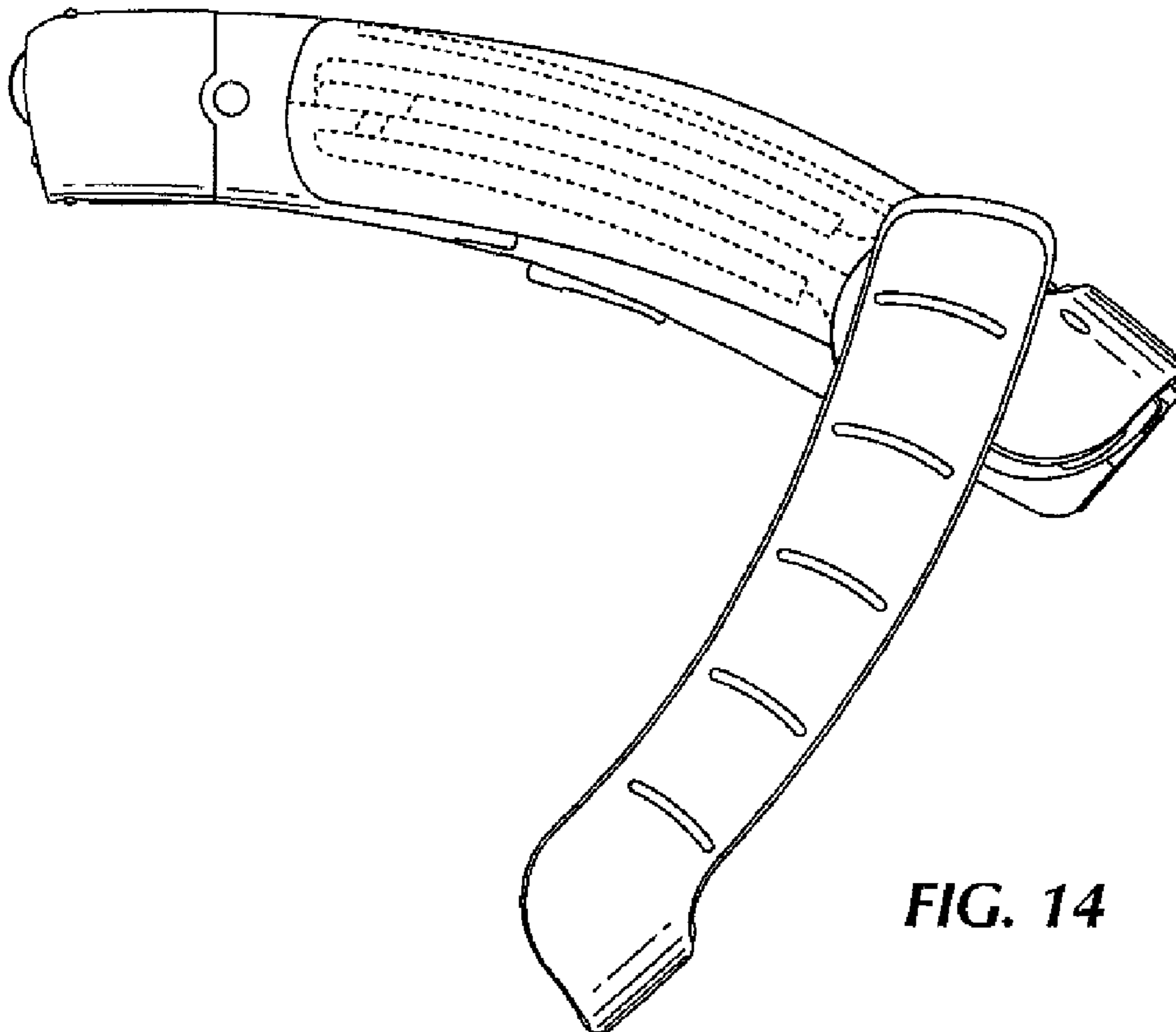


FIG. 14