

US00D592803S

(12) **United States Design Patent**  
**Tsai**

(10) **Patent No.:** **US D592,803 S**  
(45) **Date of Patent:** **\*\* May 19, 2009**

(54) **HAIR CLIP**

(75) Inventor: **Kai-Mou Tsai**, 14F, No. 63, Jilin Road,  
Taipei City (TW) 104

(73) Assignee: **Kai-Mou Tsai**, Taipei (TW)

(\*\*) Term: **14 Years**

(21) Appl. No.: **29/309,302**

(22) Filed: **Jul. 22, 2008**

(51) **LOC (9) Cl.** ..... **28-03**

(52) **U.S. Cl.** ..... **D28/39; D28/42**

(58) **Field of Classification Search** ..... D28/21-34,  
D28/39-43; 132/101, 126, 128-131, 144,  
132/148, 219, 275-284; D11/52, 55, 56,  
D11/82, 100, 103; D19/34, 65

See application file for complete search history.

(56) **References Cited**

**U.S. PATENT DOCUMENTS**

1,675,806 A \* 7/1928 Holden ..... 24/561  
D89,782 S \* 5/1933 Meshko ..... D28/40  
D202,016 S \* 8/1965 Solomon ..... D29/40  
D344,545 S \* 2/1994 Tsai ..... D19/65

5,537,724 A \* 7/1996 Chou ..... 24/530  
5,605,166 A \* 2/1997 Chou ..... 132/279  
5,749,382 A \* 5/1998 Tsai ..... 132/275  
6,105,586 A \* 8/2000 Hebenstreit ..... 132/278  
2005/0109362 A1 \* 5/2005 La Fauci ..... 132/276

\* cited by examiner

*Primary Examiner*—Janice E Seeger

*Assistant Examiner*—Zenita I Bennett

(74) *Attorney, Agent, or Firm*—Bacon & Thomas, PLLC

(57) **CLAIM**

The ornamental design for a hair clip, as shown.

**DESCRIPTION**

FIG. 1 is a perspective view of a hair clip showing my new design thereof;

FIG. 2 is a front elevational view thereof;

FIG. 3 is a rear elevational view thereof;

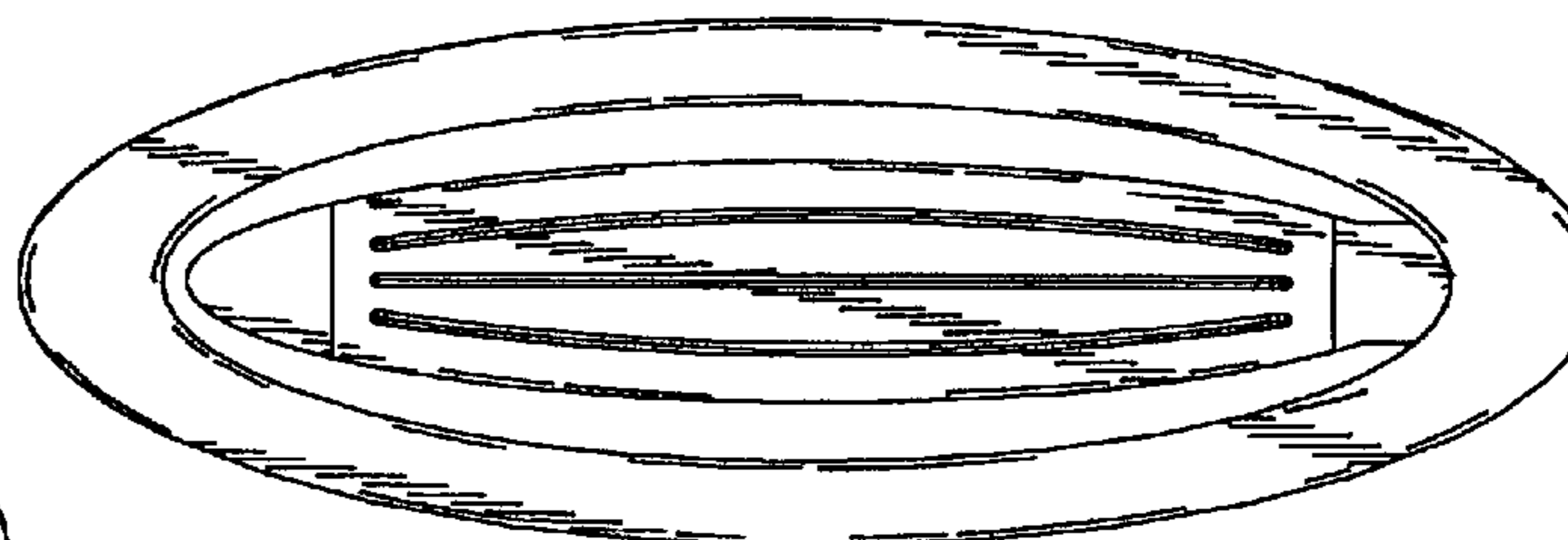
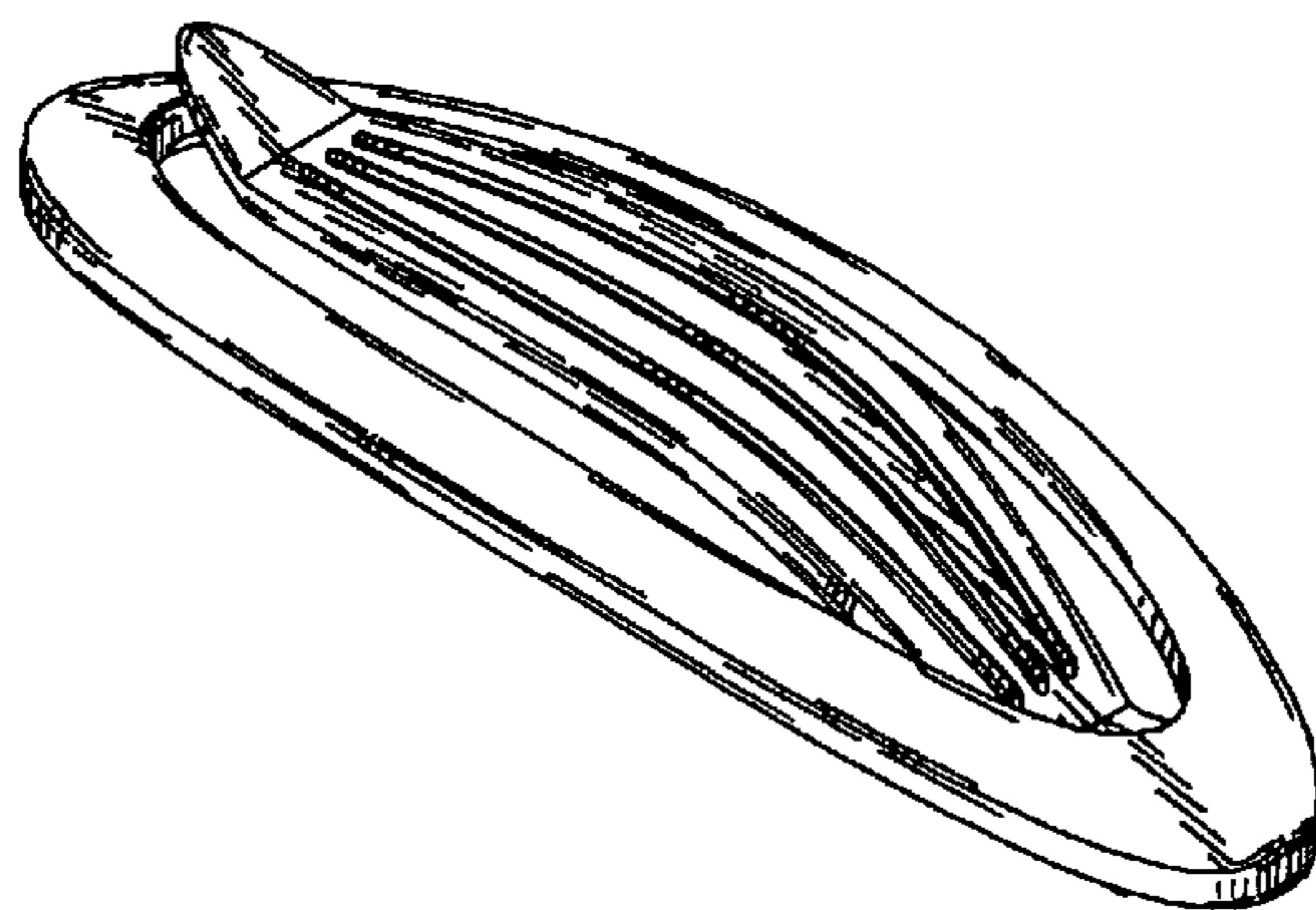
FIG. 4 is a left side elevational view thereof;

FIG. 5 is a right side elevational view thereof;

FIG. 6 is a top plan view thereof; and,

FIG. 7 is a bottom plan view thereof.

**1 Claim, 4 Drawing Sheets**



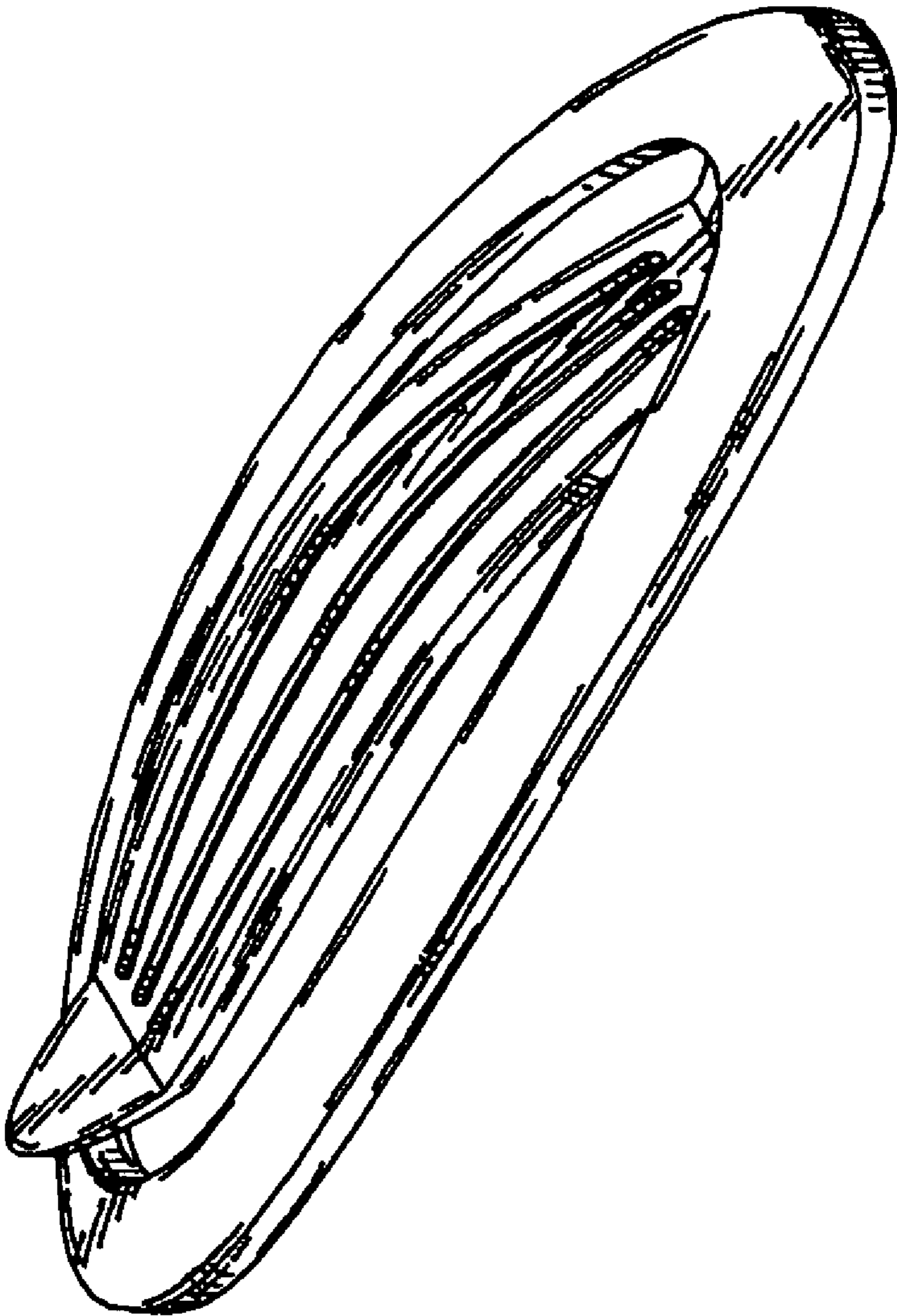


FIG.1

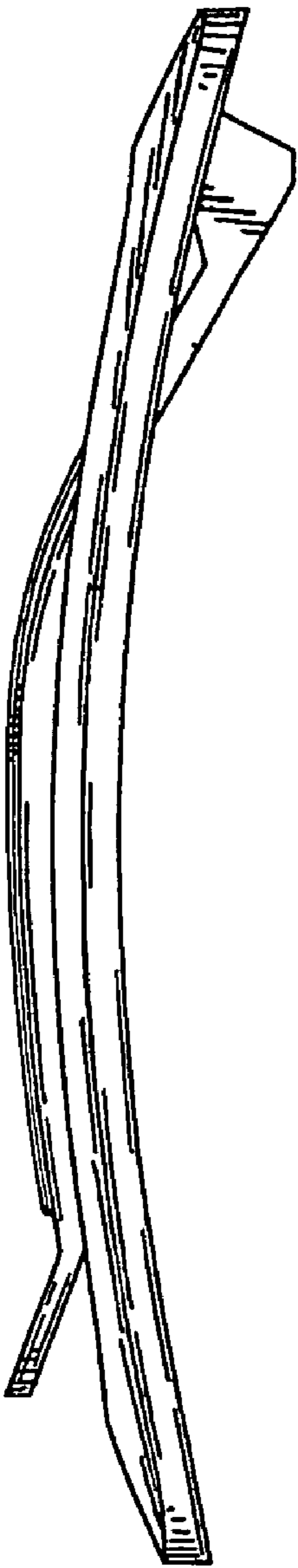


FIG. 2

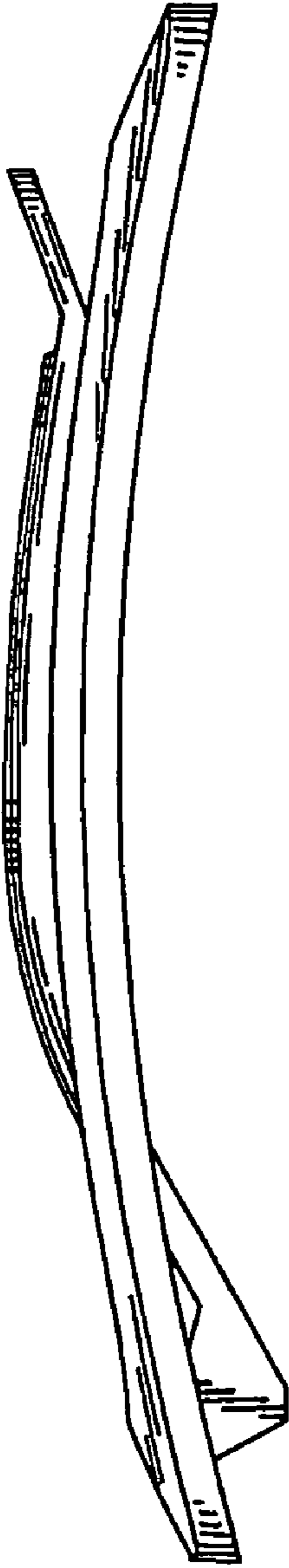


FIG. 3

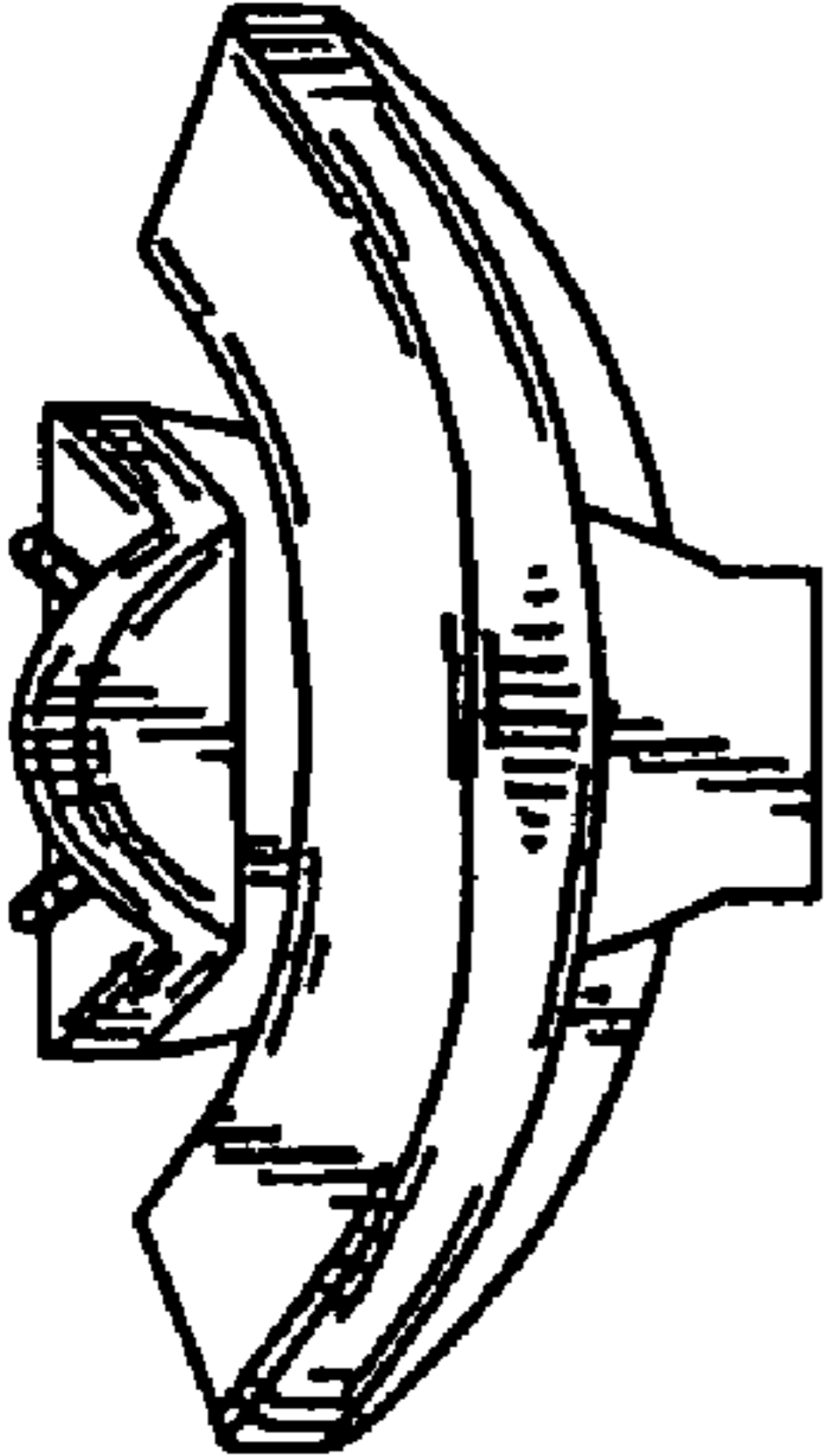


FIG. 4

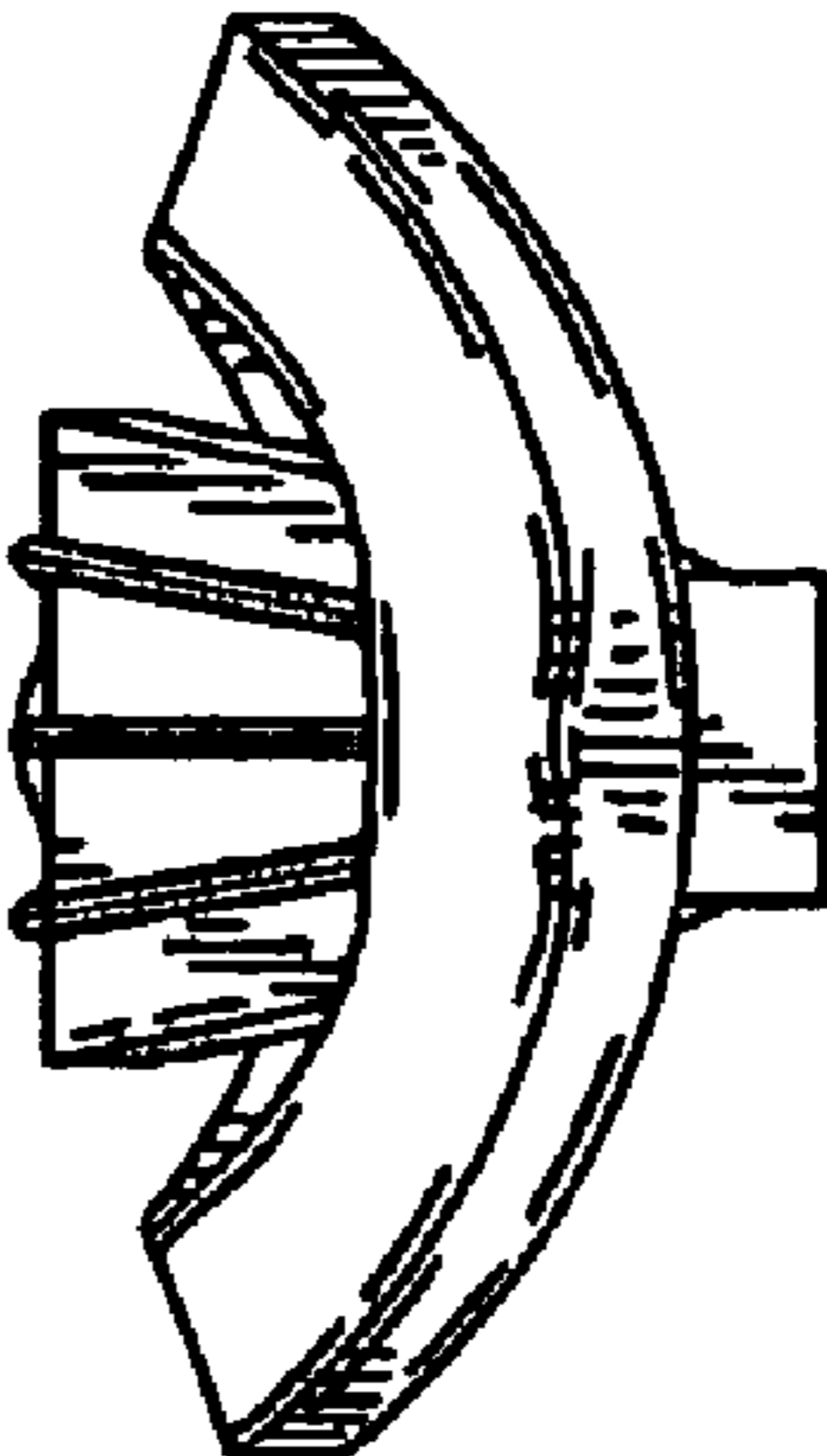


FIG. 5

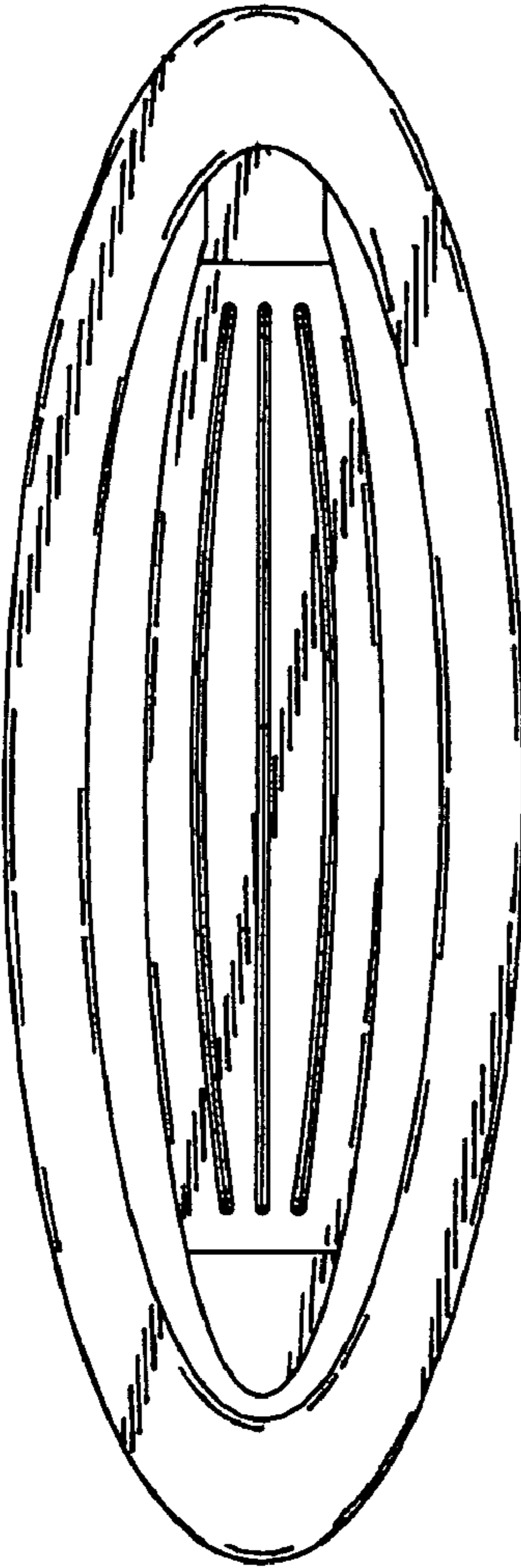


FIG.6

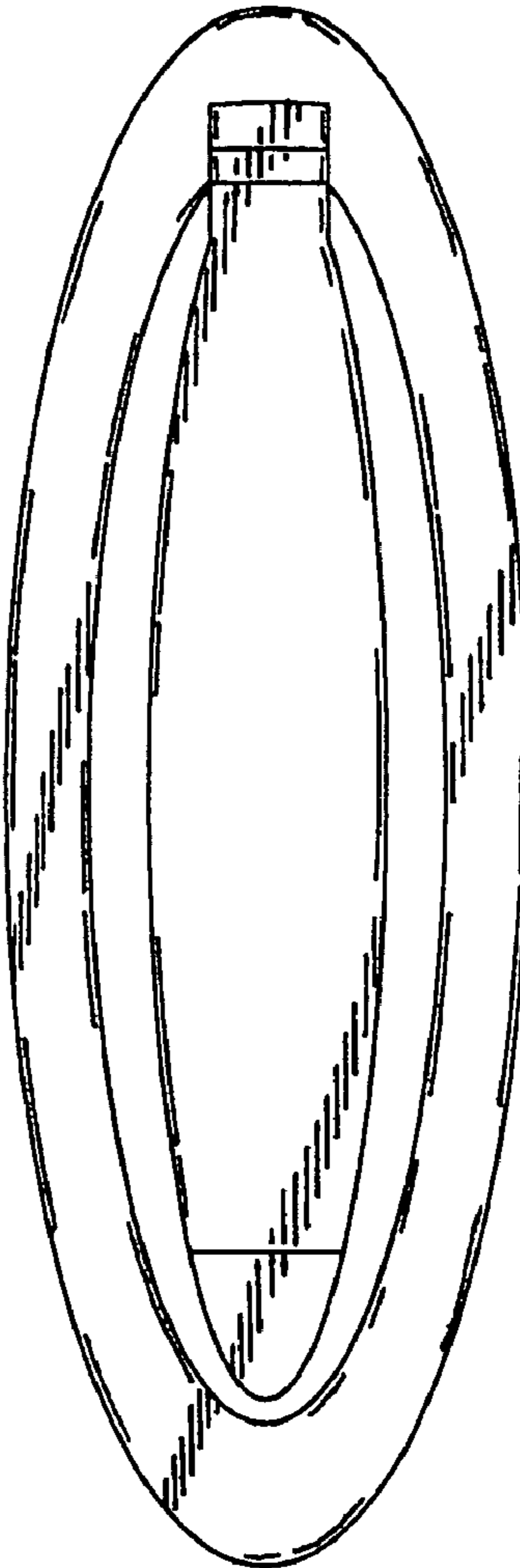


FIG.7