

US00D592801S

(12) **United States Design Patent**  
**Rugee**

(10) **Patent No.:** **US D592,801 S**  
(45) **Date of Patent:** **\*\* May 19, 2009**

(54) **LIGHTING FIXTURE ELEMENT**  
(75) **Inventor:** **Todd B. Rugee**, Los Angeles, CA (US)  
(73) **Assignee:** **Boyd Lighting Fixture Company**, San Francisco, CA (US)  
(\*\*) **Term:** **14 Years**

D509,619 S 9/2005 Rugee ..... D26/138  
D521,176 S 5/2006 Rugee ..... D26/84  
D533,299 S 12/2006 Rugee ..... D26/137  
D536,479 S 2/2007 Rugee ..... D26/137  
D538,460 S 3/2007 Rugee ..... D26/84  
7,220,027 B2 5/2007 Rugee et al. .... 362/404

(21) **Appl. No.:** **29/319,360**

(22) **Filed:** **Jun. 6, 2008**

(51) **LOC (9) Cl.** ..... **26-99**  
(52) **U.S. Cl.** ..... **D26/153**  
(58) **Field of Classification Search** ..... D11/131,  
D11/141; D26/85, 76, 118, 87, 86, 128,  
D26/74, 138, 60, 72, 75, 113, 120, 129, 140,  
D26/141, 142, 152, 153, 154, 155, 143, 144,  
D26/81; D8/381; D10/118; D13/180; D34/1;  
D5/1, 2, 41; D6/310; 119/233, 266, 267,  
119/269, 256, 257; 362/148, 364, 365, 606,  
362/612, 576, 581, 121, 125, 147, 217, 257,  
362/317, 330, 351, 356, 363, 396, 404, 405,  
362/101, 366

See application file for complete search history.

(56) **References Cited**

**U.S. PATENT DOCUMENTS**

D181,554 S \* 11/1957 Stiffel ..... D26/81  
D226,532 S \* 3/1973 Ishii ..... D26/84  
D389,946 S \* 1/1998 Hutton ..... D26/110  
D397,495 S \* 8/1998 Bayer et al. .... D26/154  
D398,067 S \* 9/1998 Milicia ..... D26/81  
D398,068 S \* 9/1998 Milicia ..... D26/81  
D402,387 S \* 12/1998 Stewart ..... D26/81  
D409,781 S \* 5/1999 Porter ..... D26/81  
D415,302 S \* 10/1999 Porter et al. .... D26/81  
D472,671 S \* 4/2003 Vegliante ..... D26/155  
D482,815 S 11/2003 Rugee ..... D26/84  
D499,889 S \* 12/2004 Hahn ..... D6/300  
6,863,423 B2 3/2005 Stone et al. .... 362/404  
D505,213 S \* 5/2005 Kumar ..... D26/9  
D505,512 S 5/2005 Rugee ..... D26/84  
D505,513 S 5/2005 Rugee ..... D26/92  
D505,639 S \* 5/2005 Lach ..... D11/131  
D508,294 S 8/2005 Rugee ..... D26/138

**OTHER PUBLICATIONS**

Rugee, pending U.S. Appl. No. 29/319,355, filed Jun. 6, 2008, entitled "Lighting Fixture".  
Rugee, pending U.S. Appl. No. 29/319,357, filed Jun. 6, 2008, entitled "Lighting Fixture".  
Rugee, pending U.S. Appl. No. 61/059,564, filed Jun. 6, 2008, entitled "Lighting Fixtures Having Releasably Attachable Objects and Methods for Trimming Lighting Fixtures".

\* cited by examiner

*Primary Examiner*—Cathron C Brooks  
*Assistant Examiner*—Kevin K Rudzinski  
(74) *Attorney, Agent, or Firm*—Heslin Rothenberg Farley & Mesiti P.C.

(57) **CLAIM**

The ornamental design for a lighting fixture element, as shown and described.

**DESCRIPTION**

The application is also related to concurrently filed U.S. design patent application Ser. No. 29/319,355, entitled "Lighting Fixture", U.S. design patent application Ser. No. 29/319,357, entitled "Lighting Fixture", the entire contents of which is incorporated herein by reference.

FIG. 1 is a perspective view of a lighting fixture element in accordance with the new design;

FIG. 2 is a front elevational view thereof;

FIG. 3 is a rear elevational view thereof;

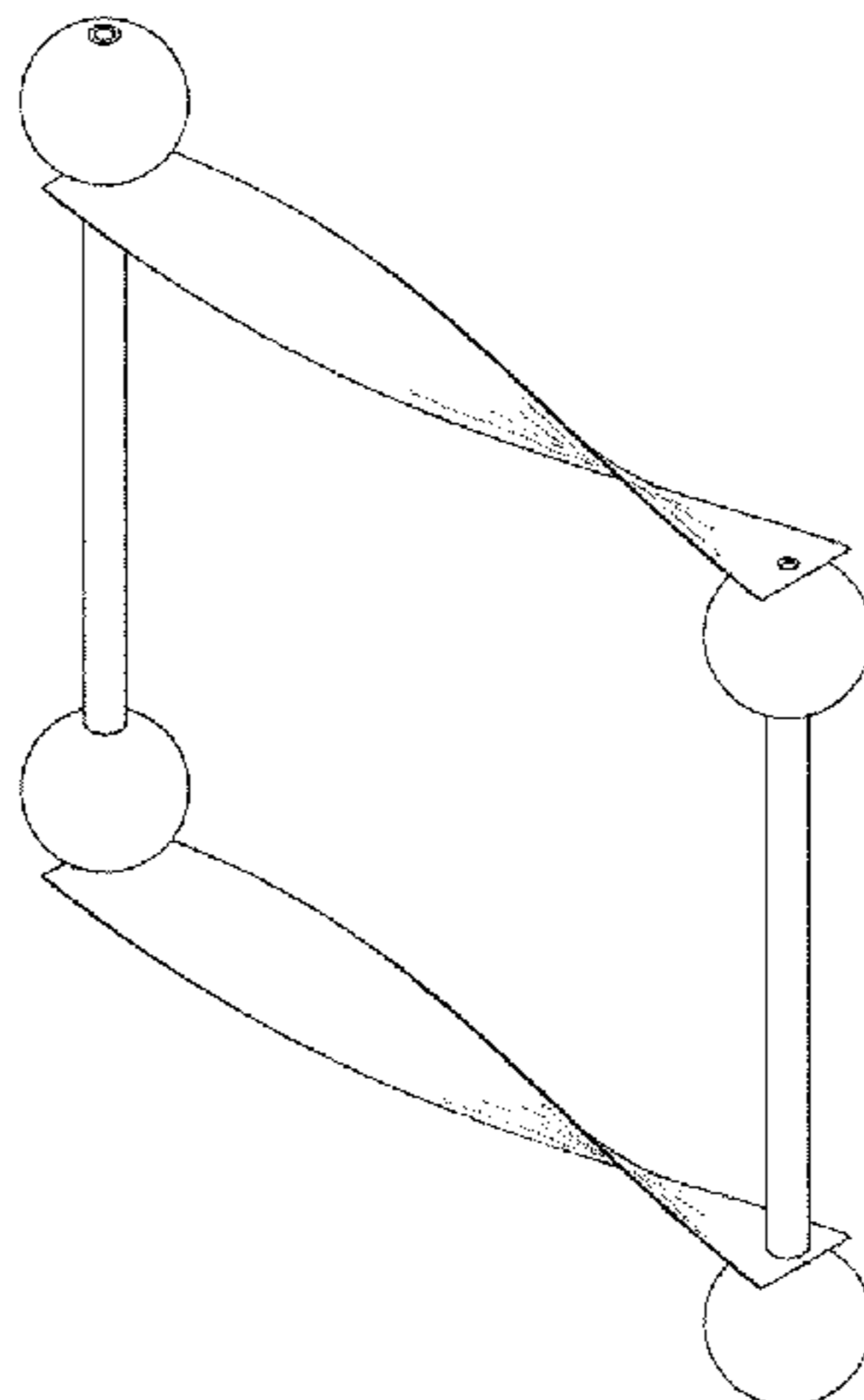
FIG. 4 is a right side elevational view thereof;

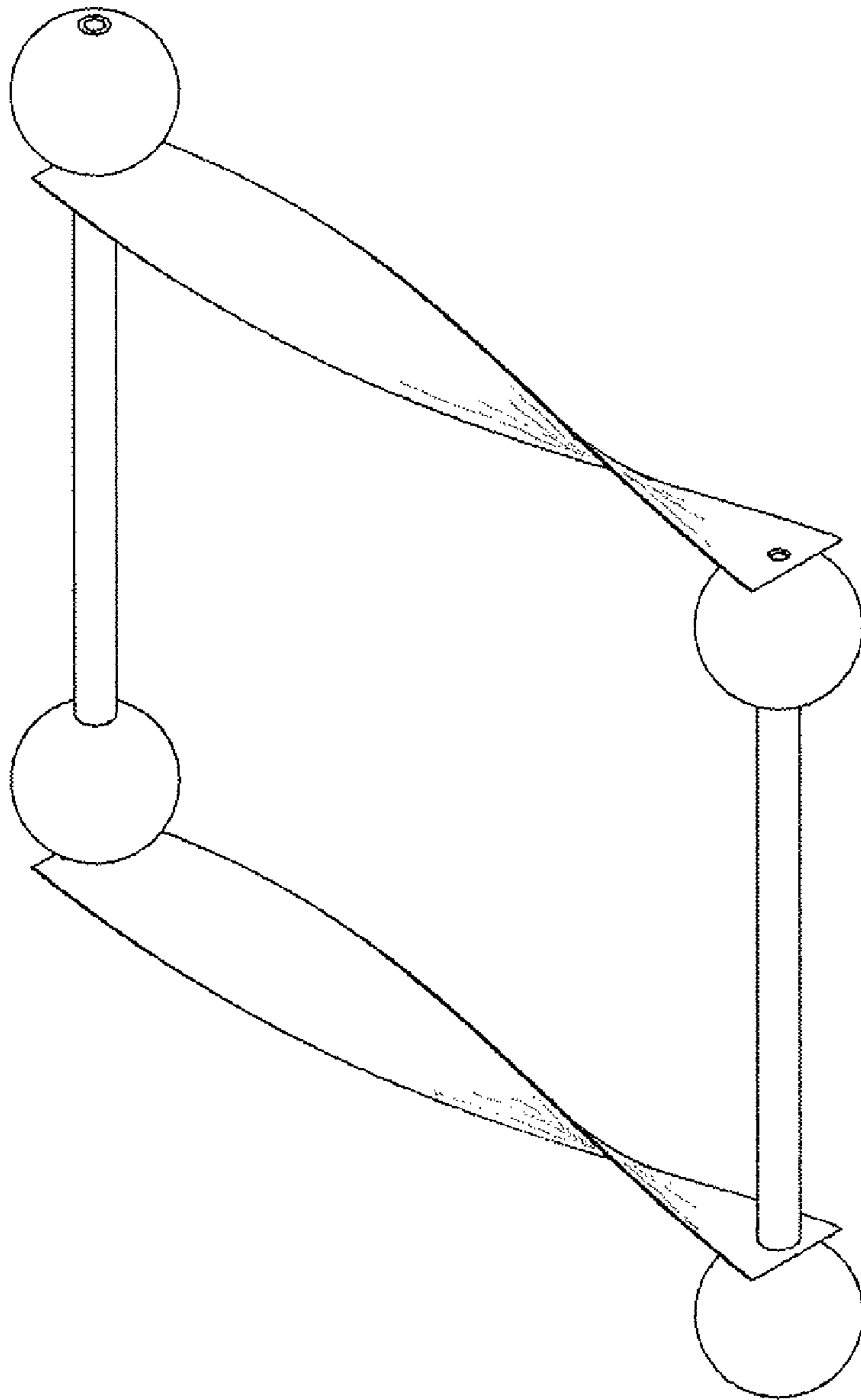
FIG. 5 is a left side elevational view thereof;

FIG. 6 is a top view thereof; and,

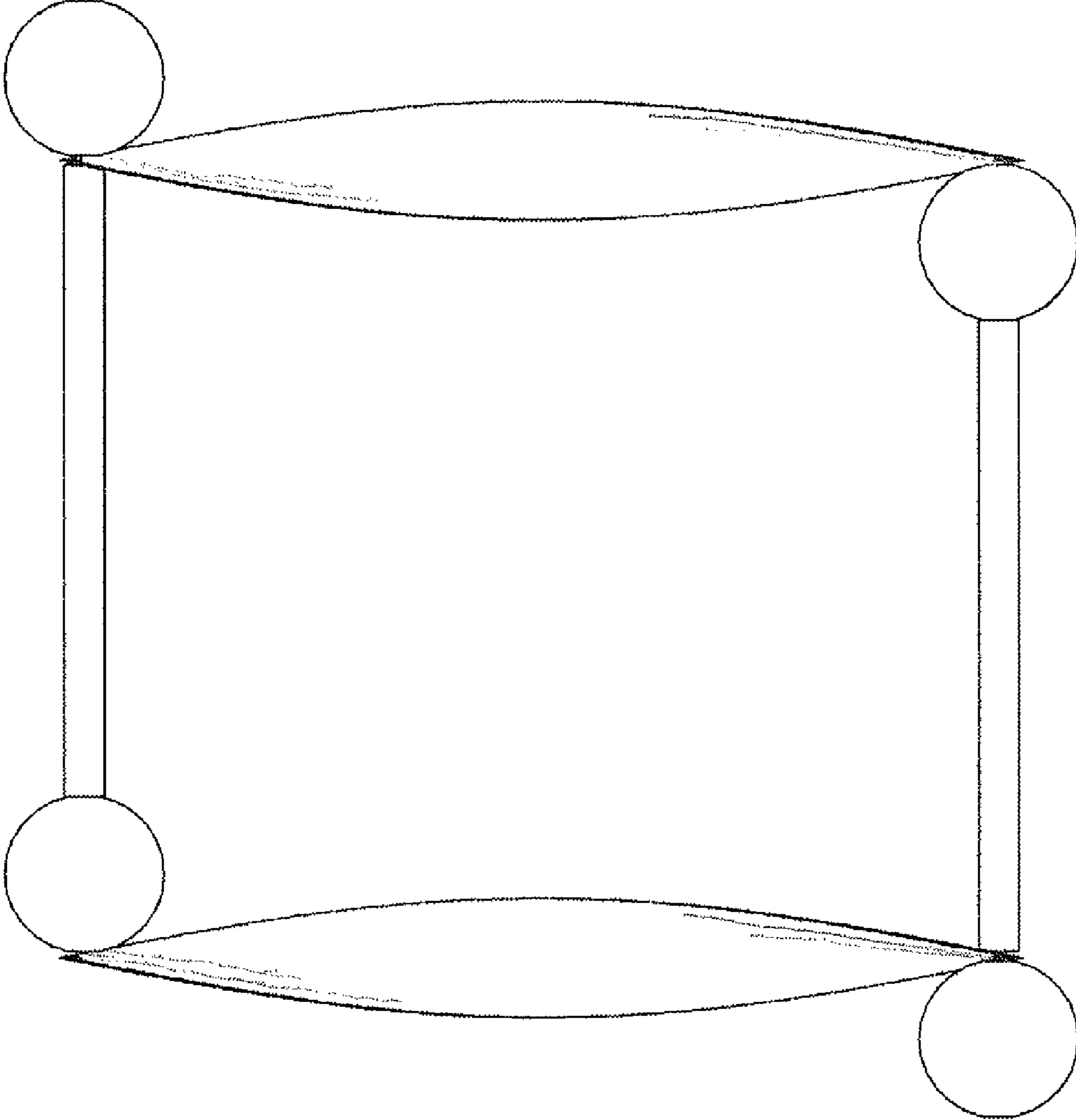
FIG. 7 is a bottom top view thereof.

**1 Claim, 6 Drawing Sheets**

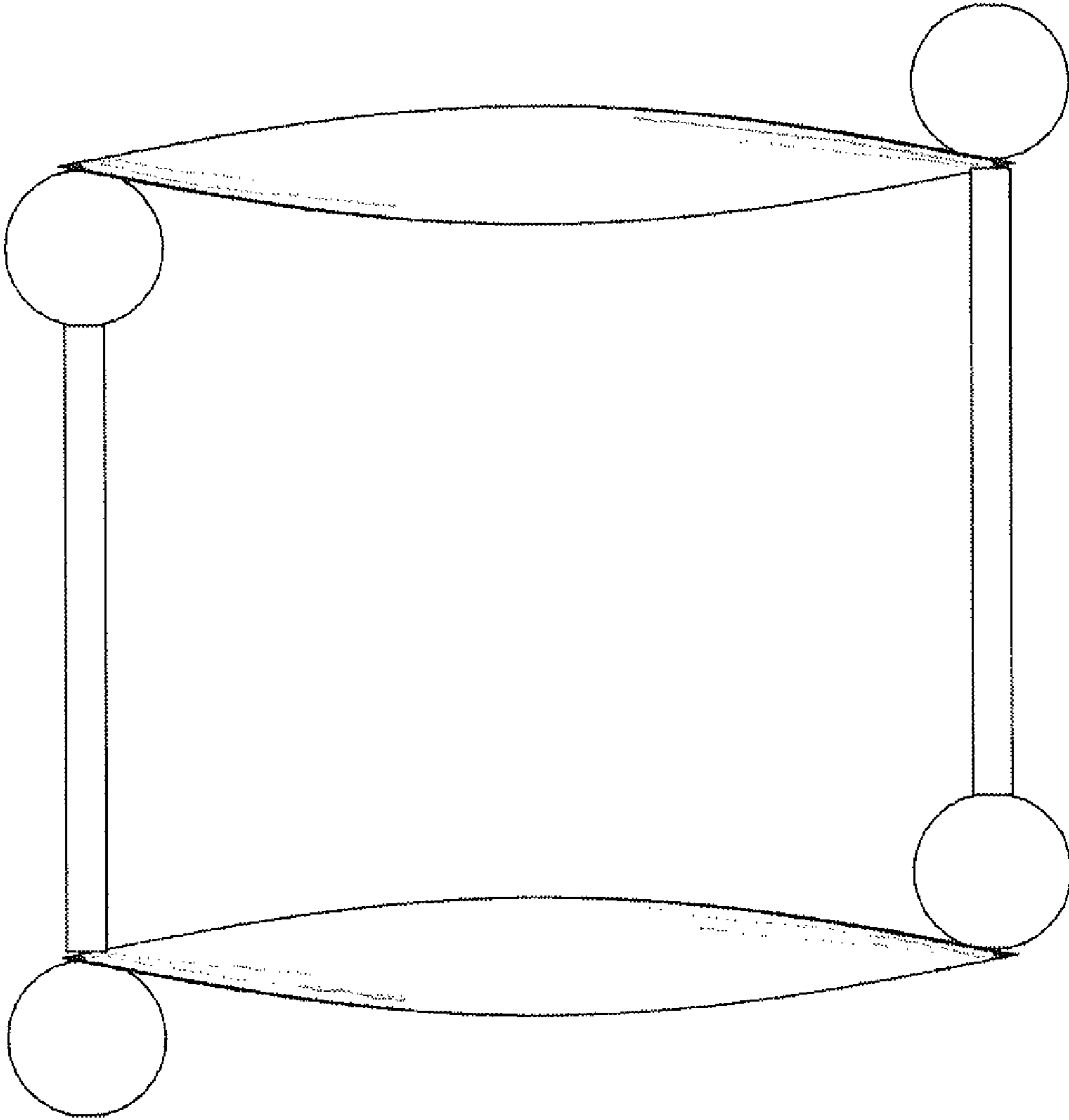




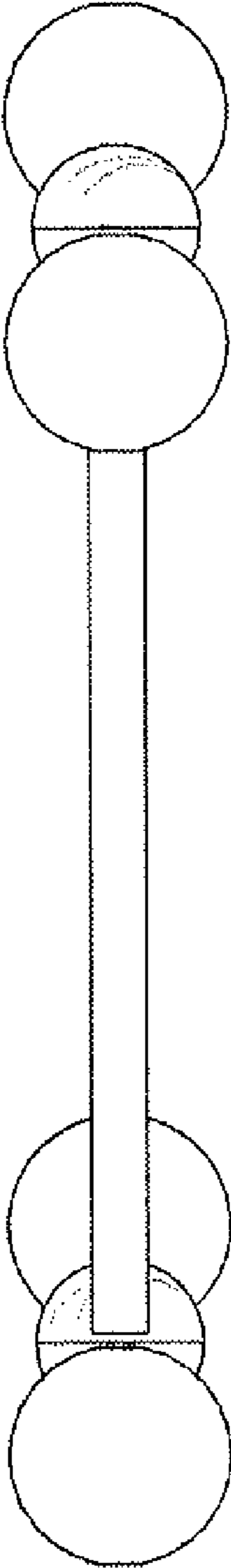
*Fig. 1*



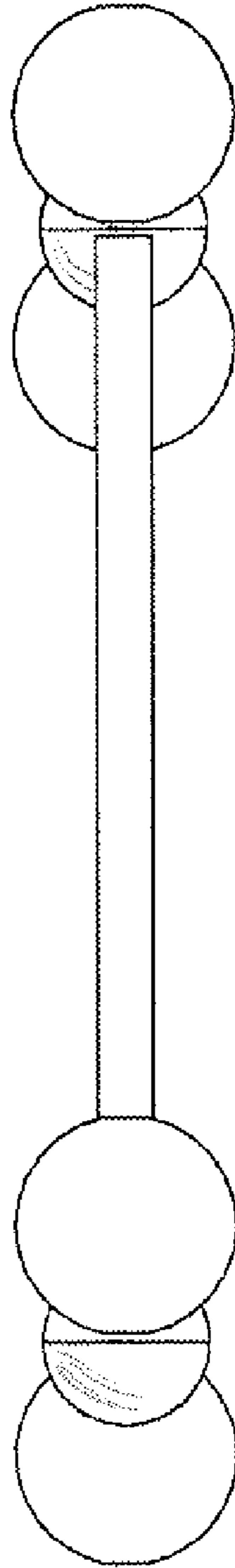
*Fig. 2*



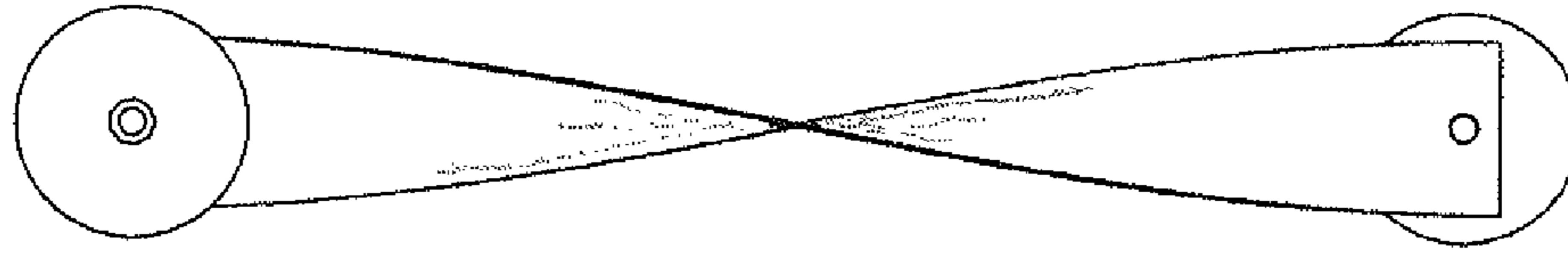
*Fig. 3*



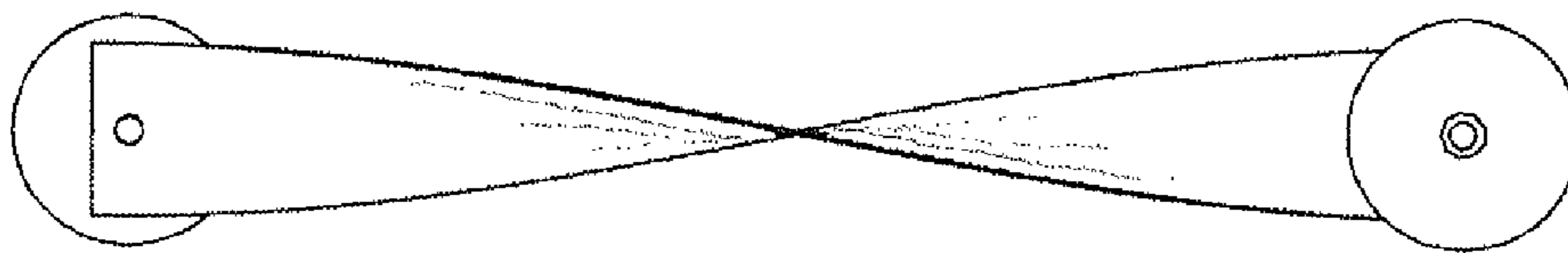
*Fig. 4*



*Fig. 5*



*Fig. 6*



*Fig. 7*

UNITED STATES PATENT AND TRADEMARK OFFICE  
**CERTIFICATE OF CORRECTION**

PATENT NO. : Des. 592,801 S  
APPLICATION NO. : 29/319360  
DATED : May 19, 2009  
INVENTOR(S) : Rugee

Page 1 of 1

It is certified that error appears in the above-identified patent and that said Letters Patent is hereby corrected as shown below:

On the Title Page:

In Line 4 of the Description: Delete "29/319,357, entitled "Lighting Fixture", the entire contents of" and insert -- 29/319,357, entitled "Lighting Fixture", and provisional patent application Serial No. 61/059,564, entitled "Lighting Fixtures Having Attachable Objects and Methods for Trimming Lighting Fixtures" --

Signed and Sealed this

Twenty-fourth Day of November, 2009



David J. Kappos  
*Director of the United States Patent and Trademark Office*