

US00D592798S

(12) **United States Design Patent**  
**Chandler**

(10) **Patent No.:** **US D592,798 S**

(45) **Date of Patent:** **\*\* May 19, 2009**

(54) **LAMP SHADE**

(75) Inventor: **George Chandler**, Hubbardton, VT (US)

(73) Assignee: **Hubbardton Forge LLC**, Castleton, VT (US)

(\*\*) Term: **14 Years**

(21) Appl. No.: **29/323,636**

(22) Filed: **Aug. 28, 2008**

(51) **LOC (9) Cl.** ..... **26-99**

(52) **U.S. Cl.** ..... **D26/118**

(58) **Field of Classification Search** ..... D11/131,  
D11/141; D26/85, 76, 118, 87, 86, 128,  
D26/74, 138, 60, 72, 75, 113, 120, 129, 140,  
D26/141, 142, 152, 153, 154, 155, 143, 144,  
D26/81; D8/381; D10/118; D13/180; D34/1;  
D5/1, 2, 41; D6/310; 119/233, 266, 267,  
119/269, 256, 257; 362/148, 364, 365, 606,  
362/612, 576, 581, 121, 125, 147, 217, 257,  
362/317, 330, 351, 356, 363, 396, 404, 405,  
362/101, 366

See application file for complete search history.

(56) **References Cited**

**U.S. PATENT DOCUMENTS**

D215,174 S \* 9/1969 Denson ..... D26/128  
D233,779 S \* 11/1974 Kennedy et al. .... D26/63

D285,489 S \* 9/1986 Russell ..... D26/86  
D309,792 S \* 8/1990 Mangiarotti ..... D26/85  
D398,415 S \* 9/1998 Markee ..... D26/87  
D420,185 S \* 2/2000 Hampshire ..... D34/1  
D469,910 S \* 2/2003 St-Pierre ..... D26/85  
D488,579 S \* 4/2004 Painter et al. .... D26/92  
6,959,510 B1 \* 11/2005 Nelson et al. .... 43/113  
D548,877 S \* 8/2007 Chen ..... D26/128

\* cited by examiner

*Primary Examiner*—Cathron C Brooks

*Assistant Examiner*—Kevin K Rudzinski

(74) *Attorney, Agent, or Firm*—Bourque and Associates

(57) **CLAIM**

The ornamental design for a lamp shade, as shown and described.

**DESCRIPTION**

FIG. 1 is a perspective view of the lamp shade according to the present invention;

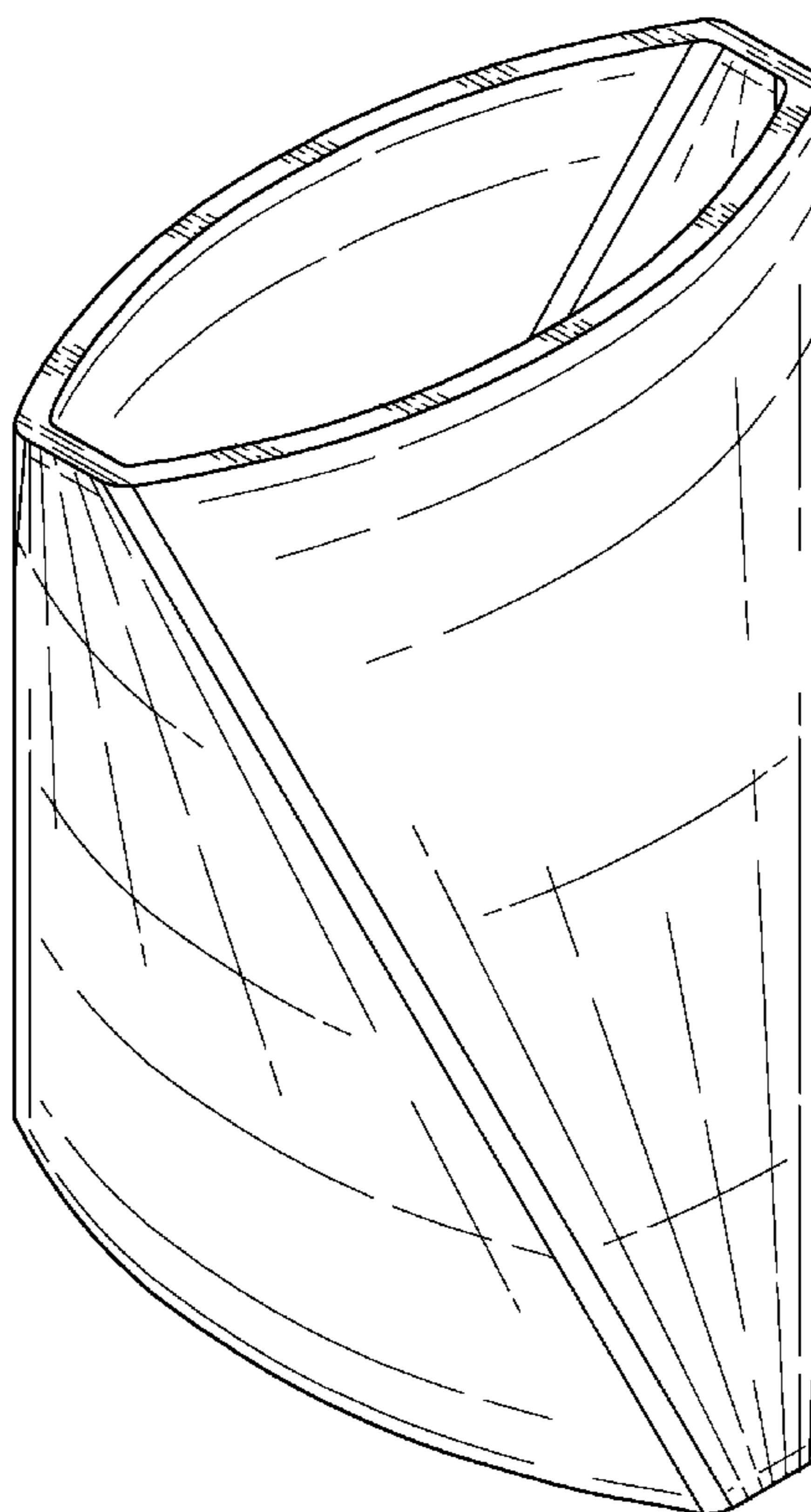
FIG. 2 is a front elevation view of the lamp shade thereof; the back side being a mirror image thereof;

FIG. 3 is a left elevation view of the lamp shade thereof, the right side being a mirror image thereof;

FIG. 4 is a top plan view of the lamp shade thereof; and,

FIG. 5 is a bottom plan view of the lamp shade thereof.

**1 Claim, 5 Drawing Sheets**



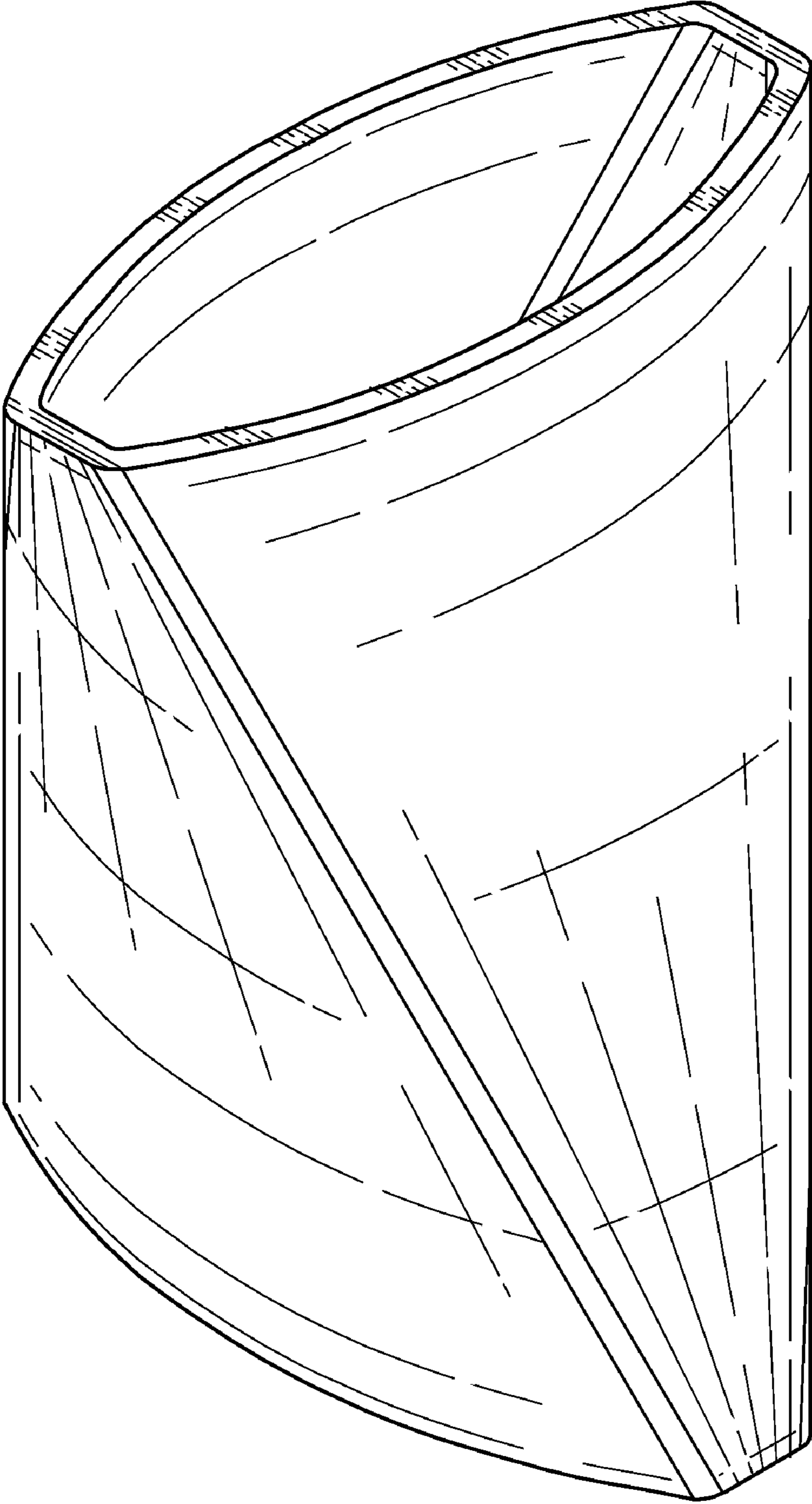


FIG. 1

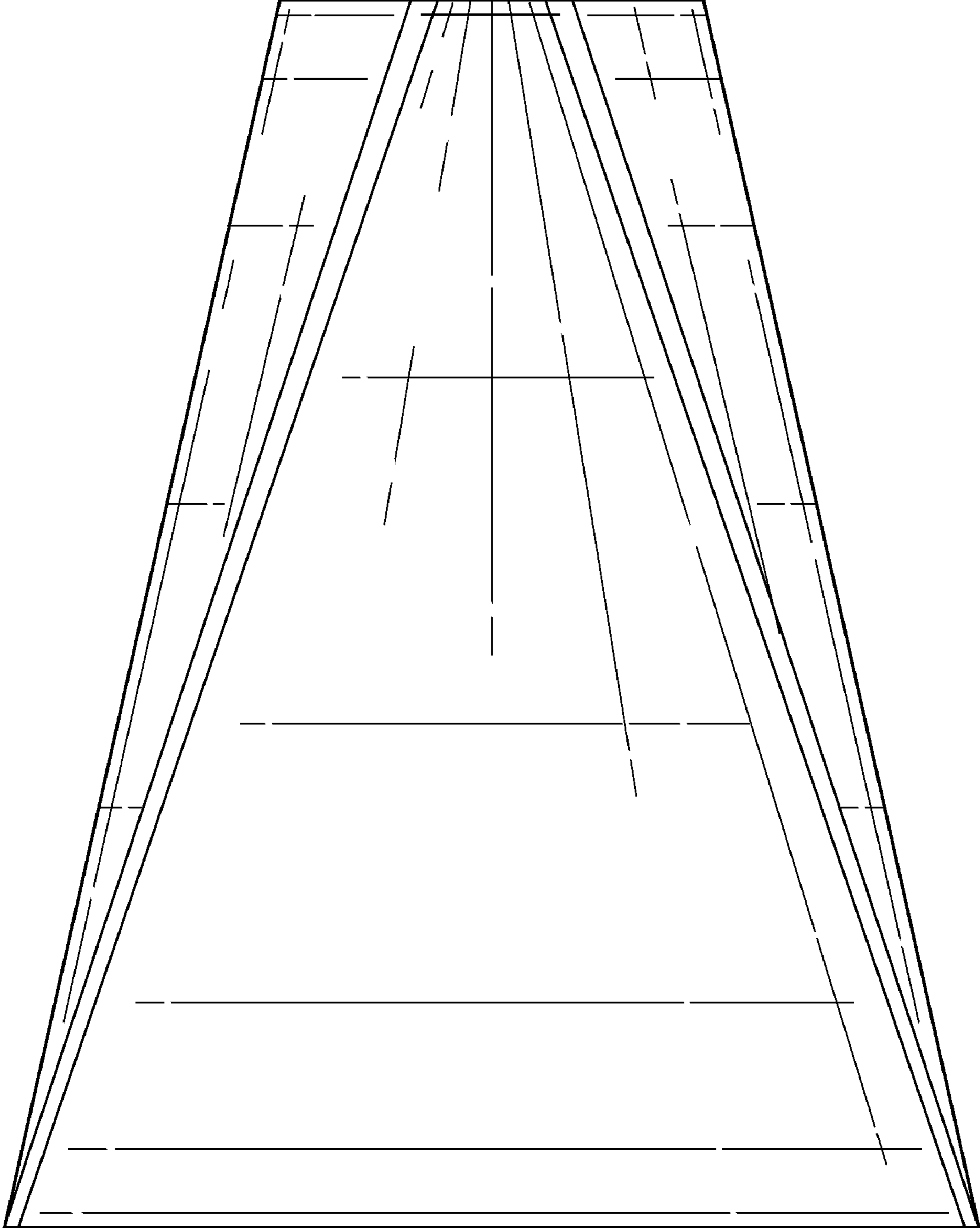


FIG. 2

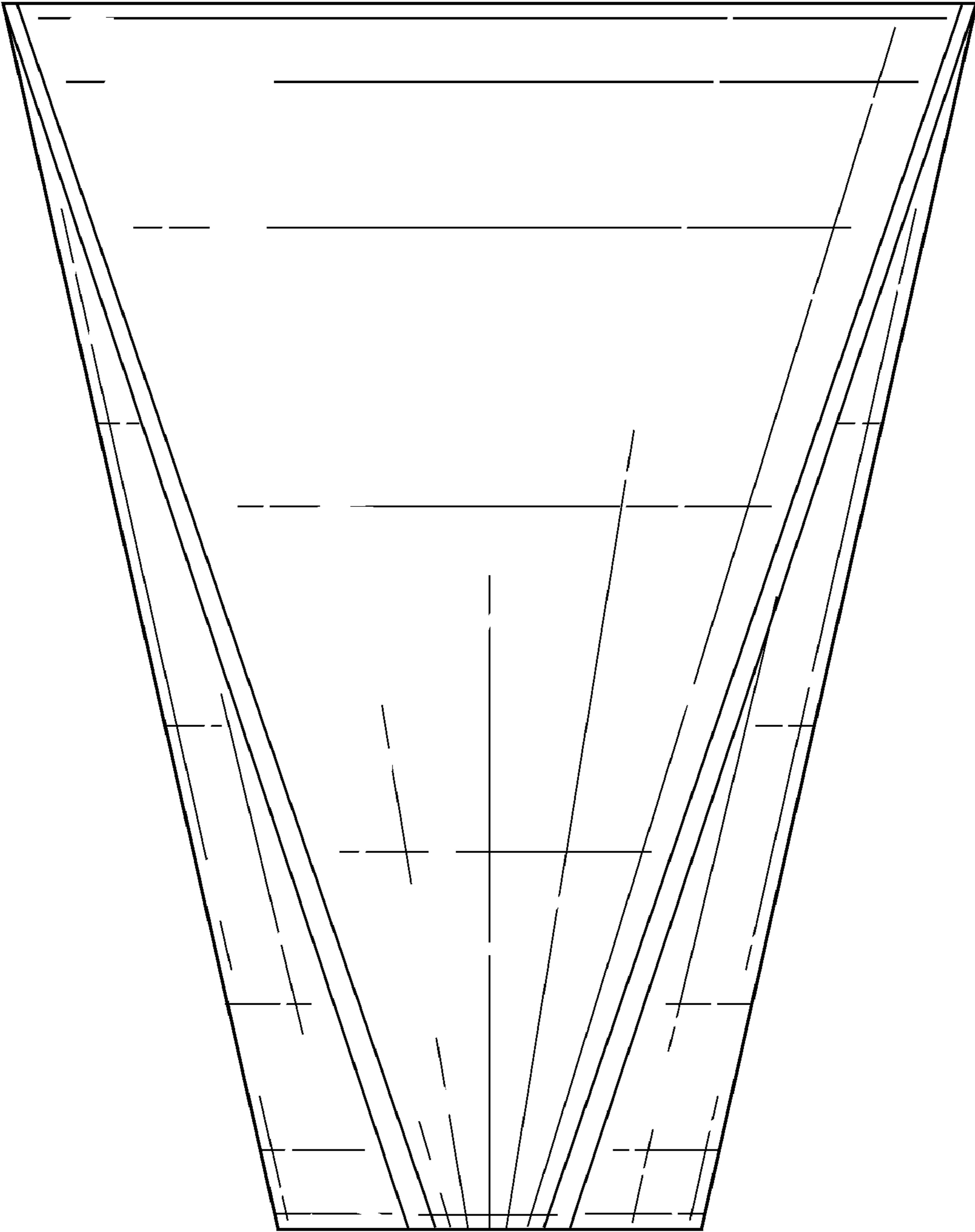


FIG. 3

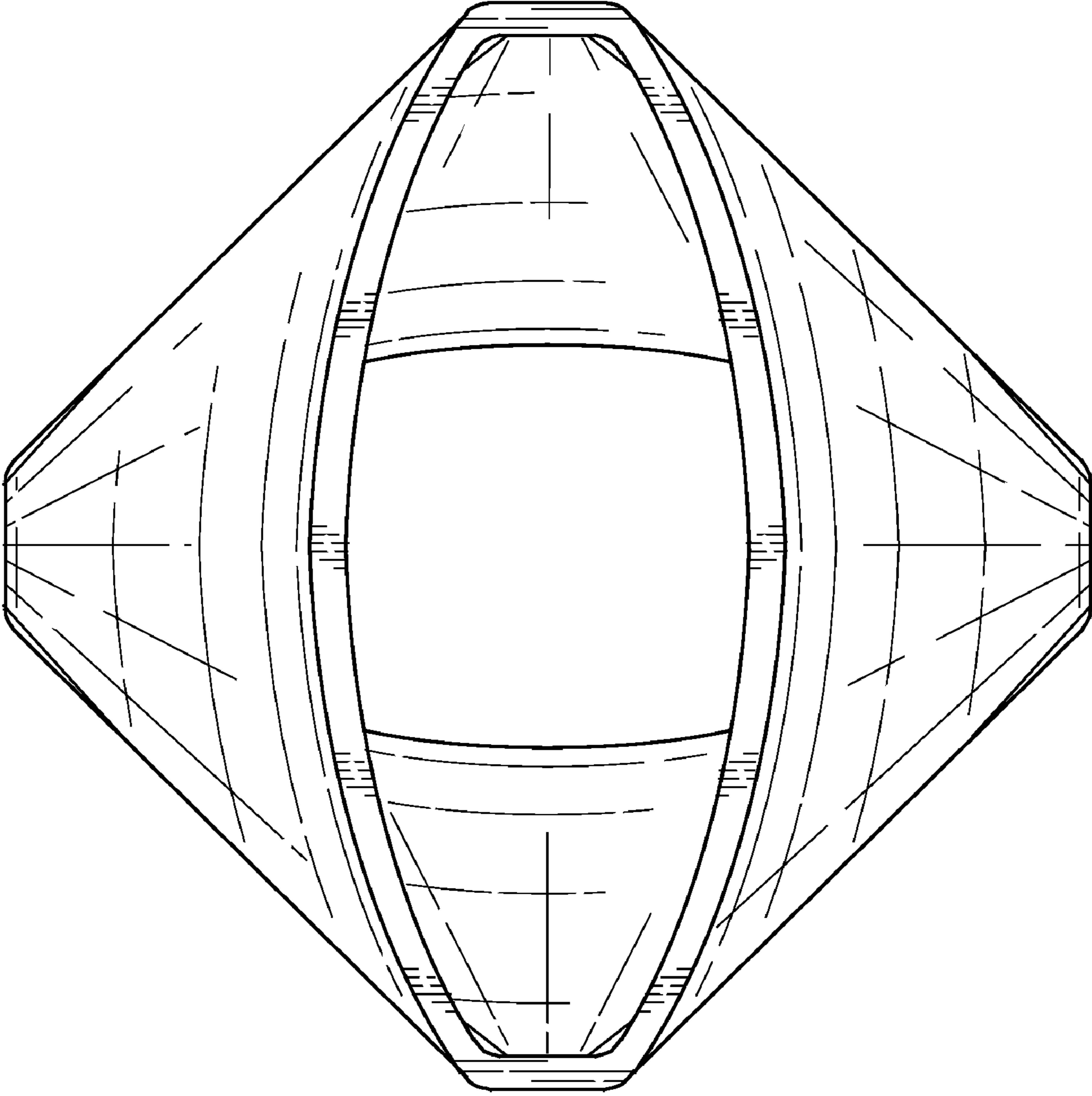


FIG. 4

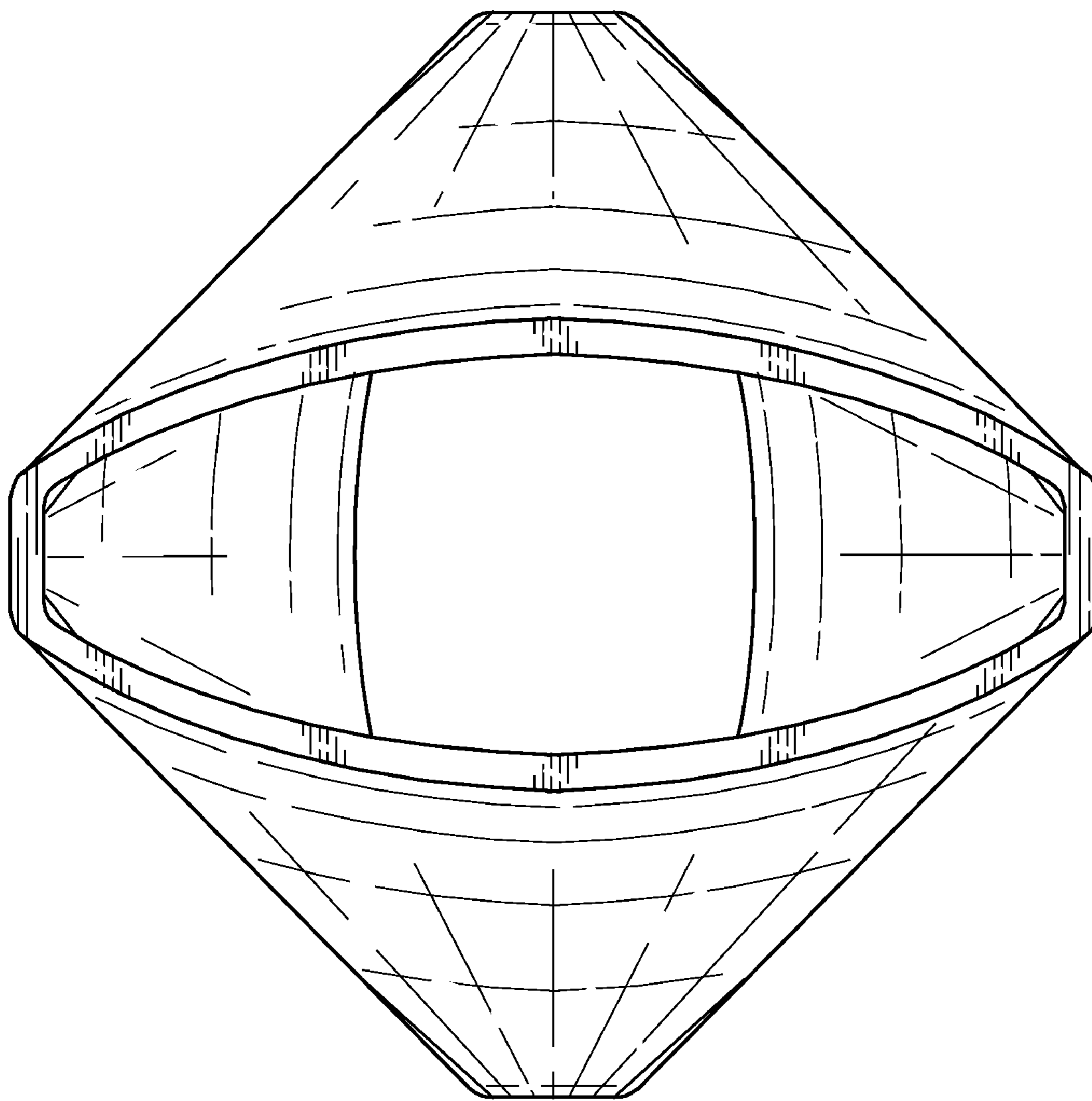


FIG. 5