



US00D592796S

(12) **United States Design Patent**  
**Chandler**

(10) **Patent No.:** **US D592,796 S**

(45) **Date of Patent:** **\*\* May 19, 2009**

(54) **HANGING LAMP SUPPORT**

(75) Inventor: **George Chandler**, Hubbardton, VT (US)

(73) Assignee: **Hubbardton Forge LLC**, Castleton, VT (US)

(\*\*) Term: **14 Years**

(21) Appl. No.: **29/324,971**

(22) Filed: **Sep. 24, 2008**

(51) **LOC (9) Cl.** ..... **26-03**

(52) **U.S. Cl.** ..... **D26/90; D26/144**

(58) **Field of Classification Search** ..... D26/75,  
D26/76, 79, 81, 83, 84, 85, 88-91, 118, 138,  
D26/141; 362/147, 404-408

See application file for complete search history.

(56) **References Cited**

**U.S. PATENT DOCUMENTS**

1,127,527	A *	2/1915	Schoen	.....	362/404
D87,213	S *	6/1932	Hoffmann	.....	D26/90
D364,002	S *	11/1995	von Kluck	.....	D26/88
D394,520	S *	5/1998	Littman et al.	.....	D26/88
D500,165	S *	12/2004	Parres	.....	D26/144
D539,964	S *	4/2007	Hsu	.....	D26/88

**OTHER PUBLICATIONS**

Spanish Mosaic Collection—All models shown on p. 258 and Model #19013/6 shown on p. 259 of the E.L.K. Lighting Catalog2900. © 2009.\*

\* cited by examiner

*Primary Examiner*—Clare E Heflin

(74) *Attorney, Agent, or Firm*—Bourque and Associates

(57) **CLAIM**

The ornamental design for a hanging lamp support, as shown and described.

**DESCRIPTION**

FIG. 1 is a perspective view of the hanging lamp support according to the present invention;

FIG. 2 is a front elevation view thereof, the rear view being a mirror image thereof;

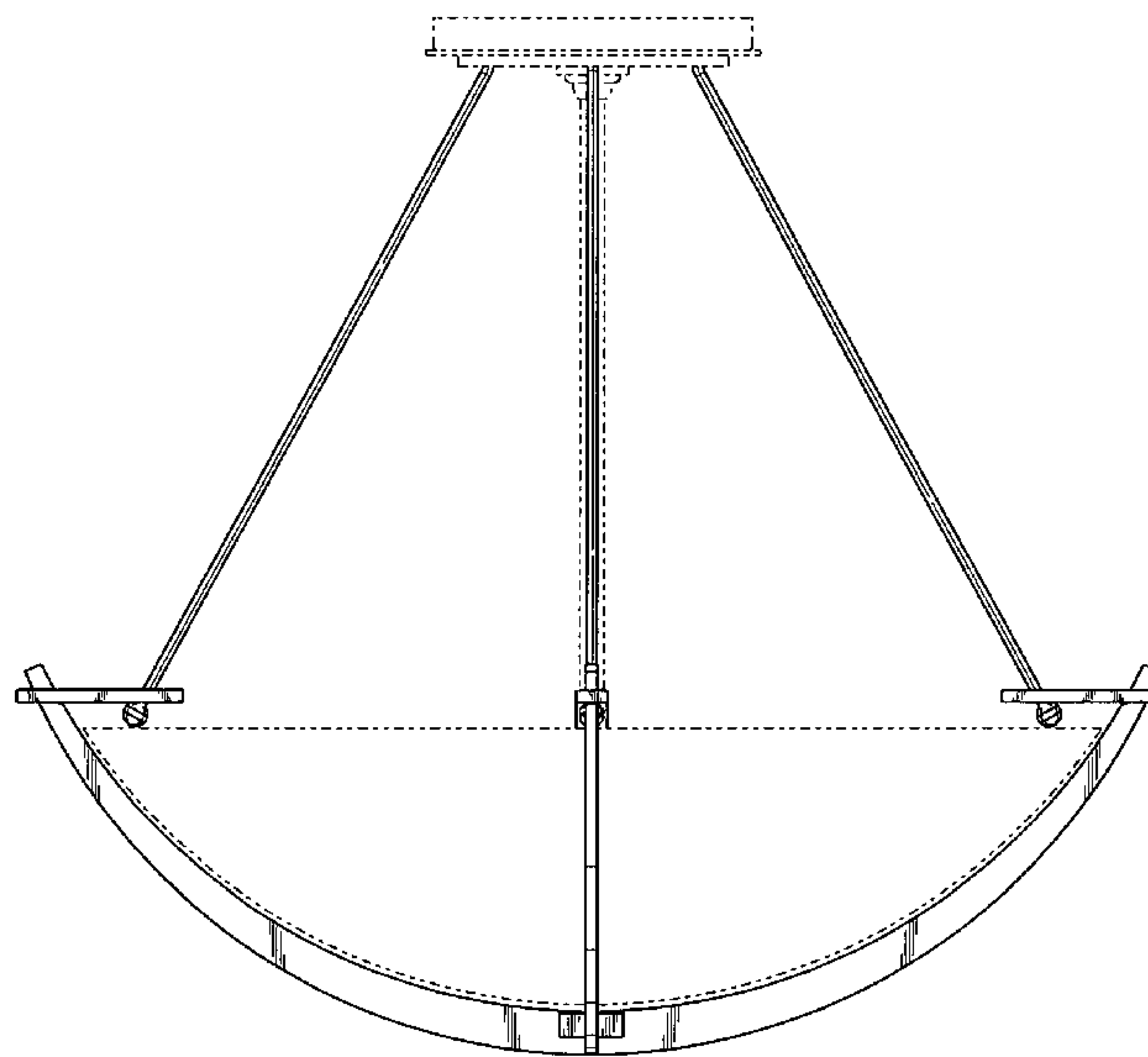
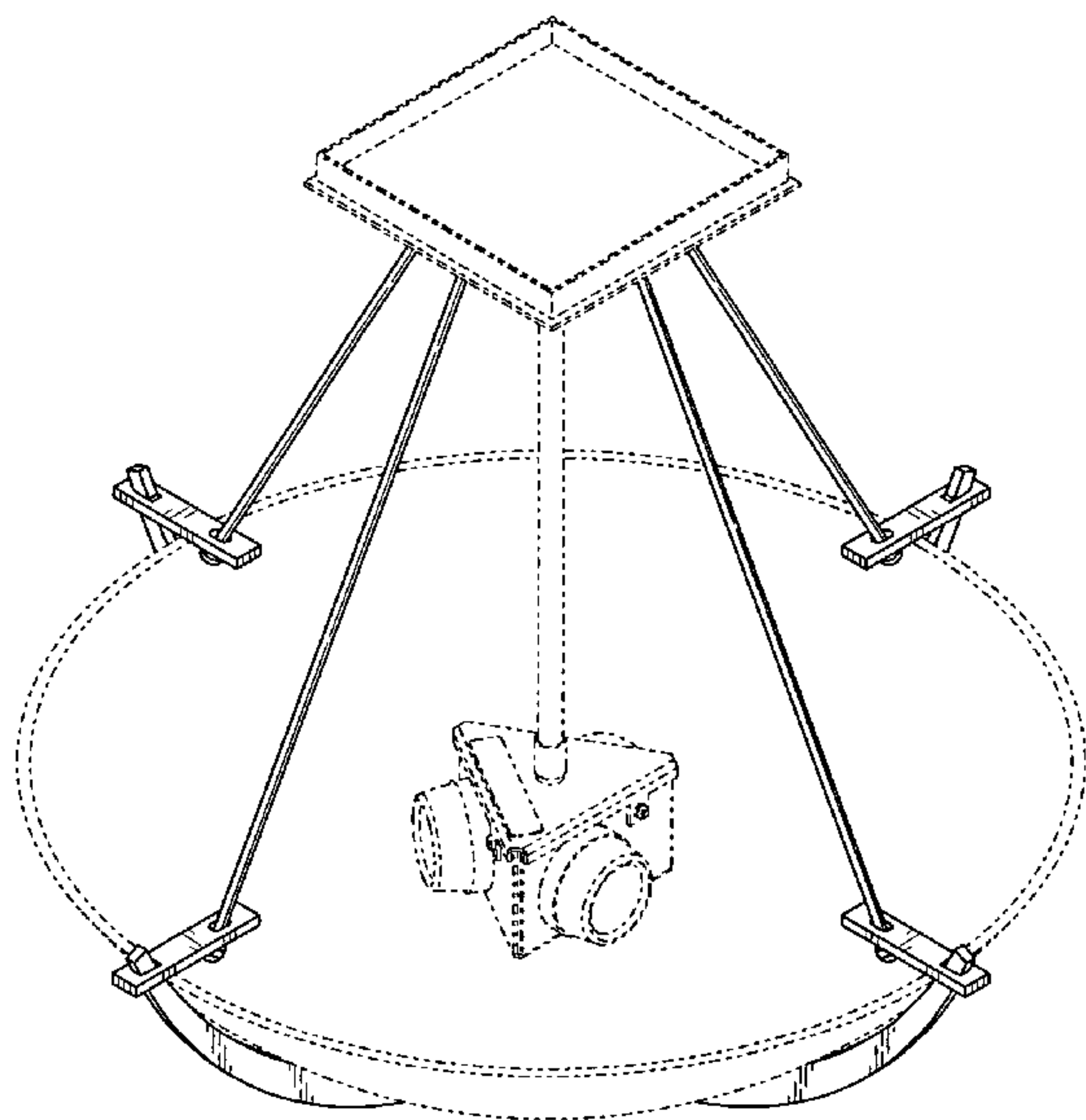
FIG. 3 is a left side elevation thereof, the right side being a mirror image thereof;

FIG. 4 is a top plan view thereof; and,

FIG. 5 is a bottom plan view thereof.

The broken lines shown are for illustrative purposes only and form no part of the claimed design.

**1 Claim, 5 Drawing Sheets**



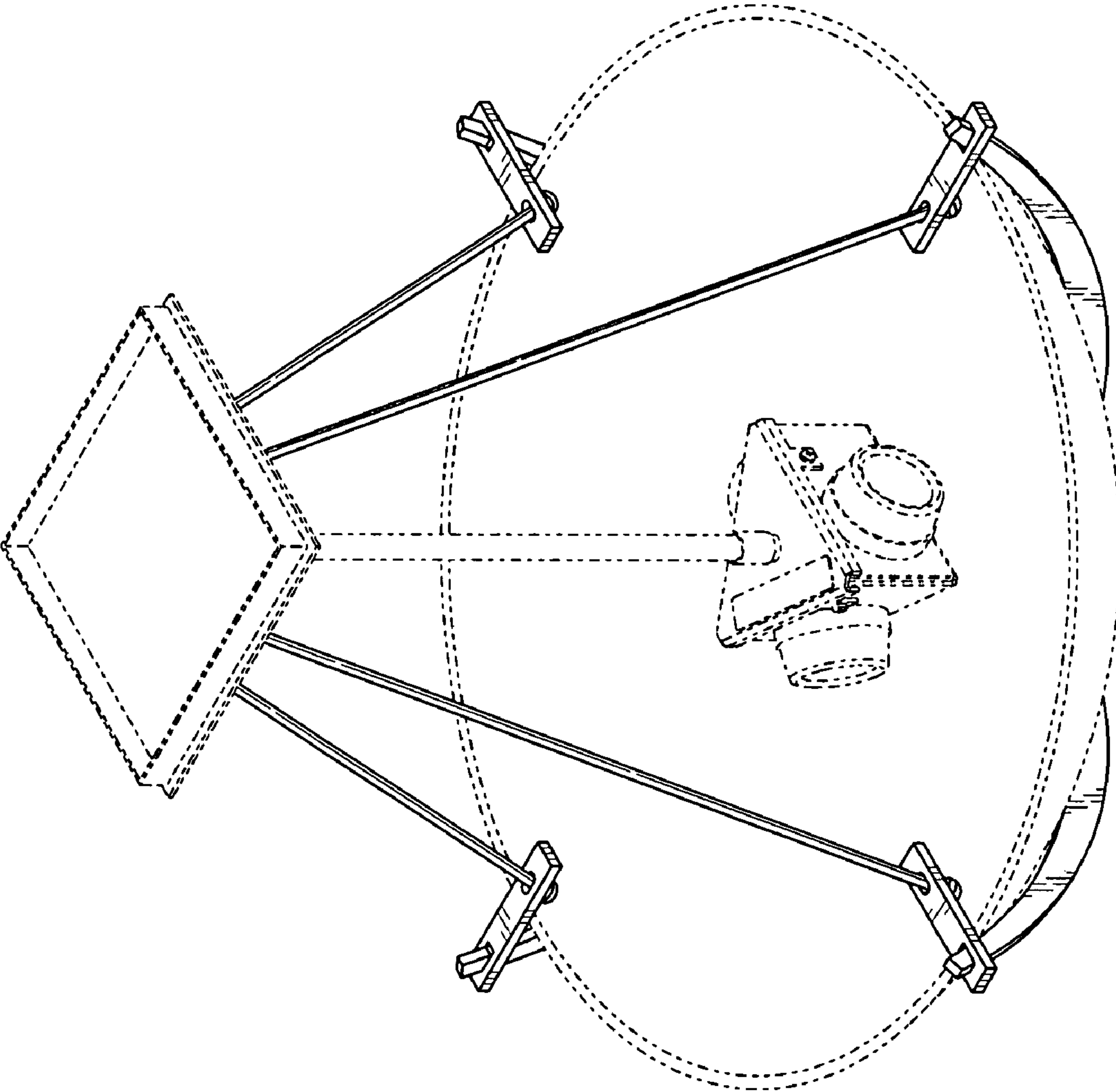


FIG. 1

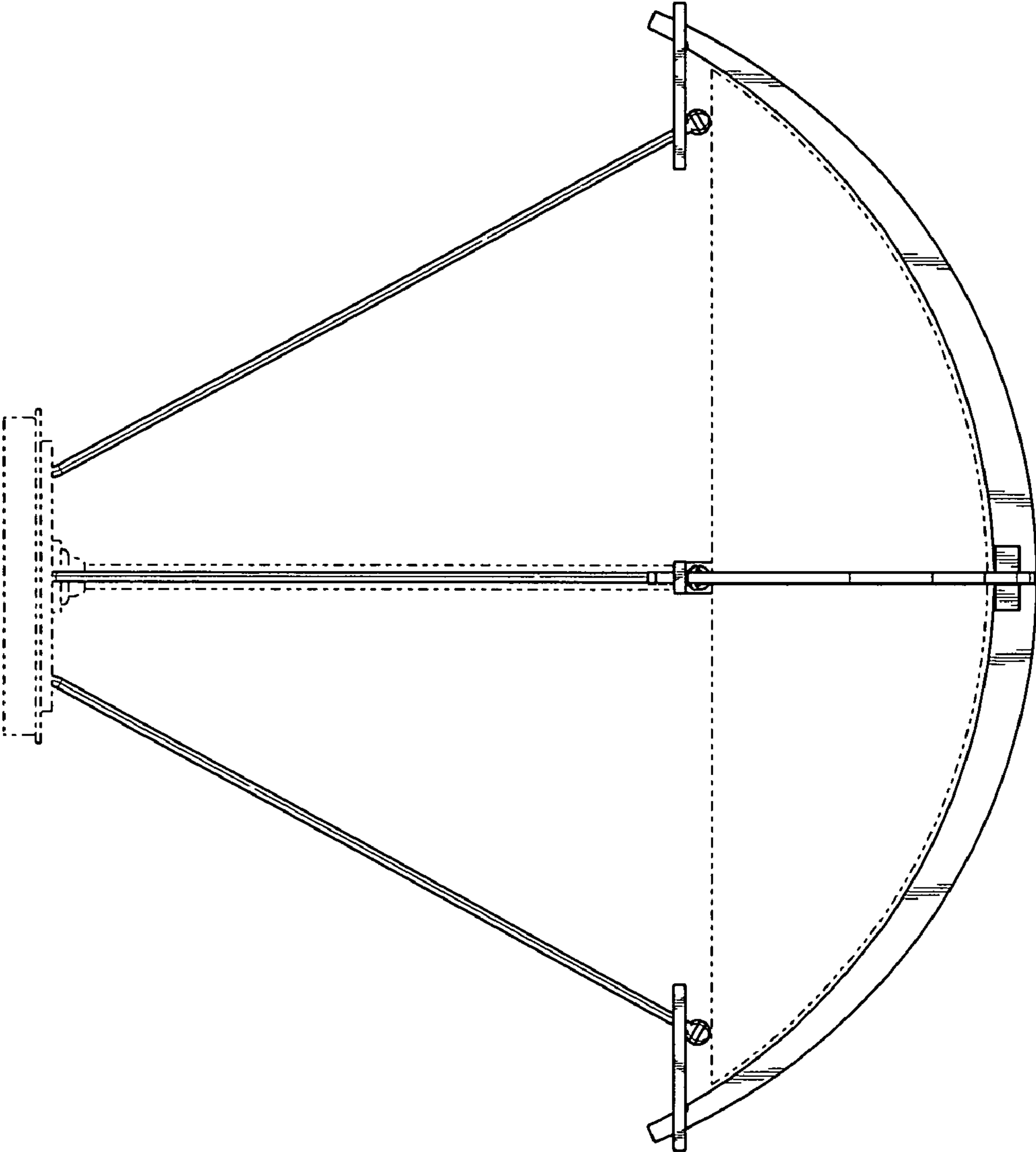


FIG. 2

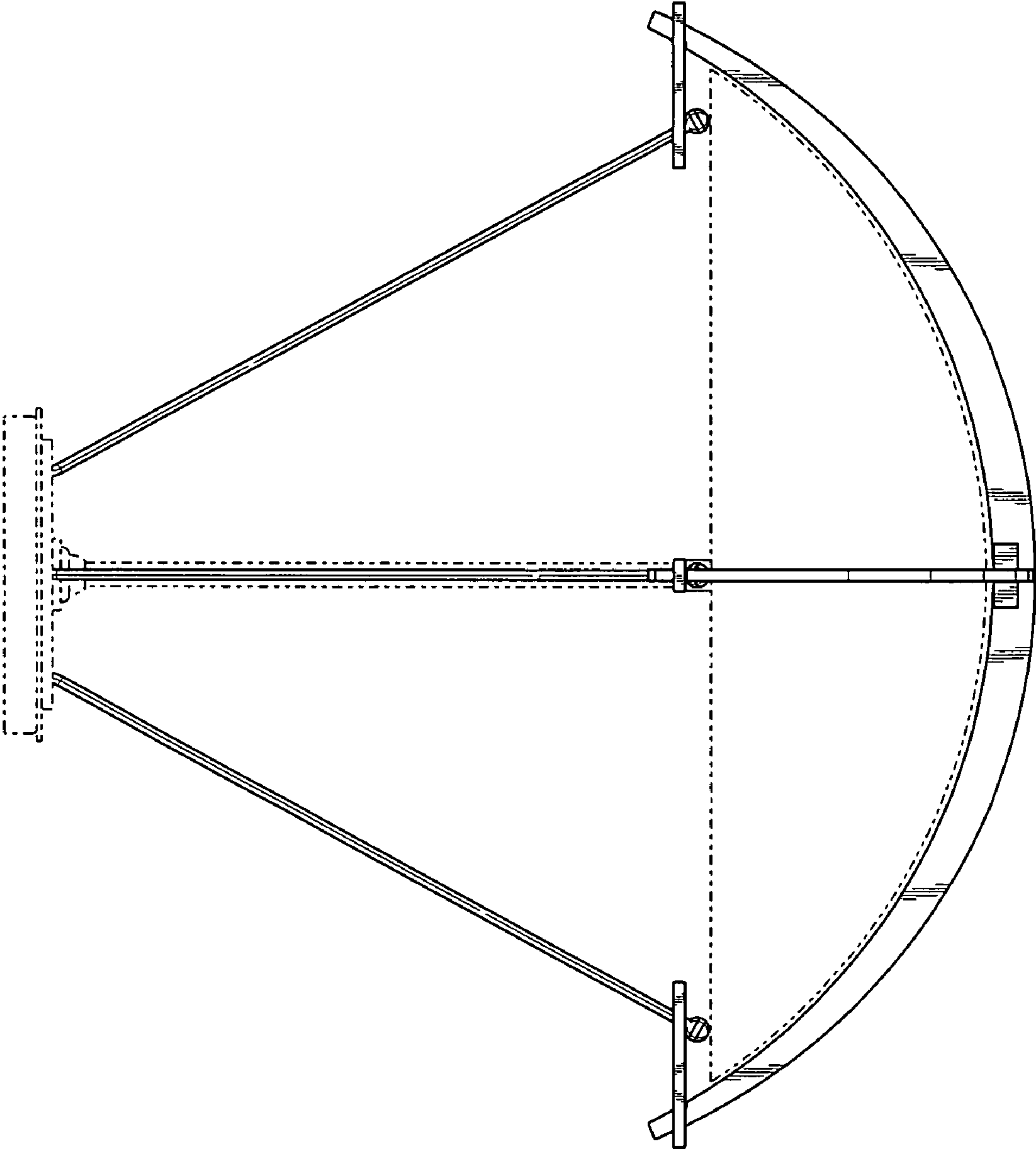


FIG. 3

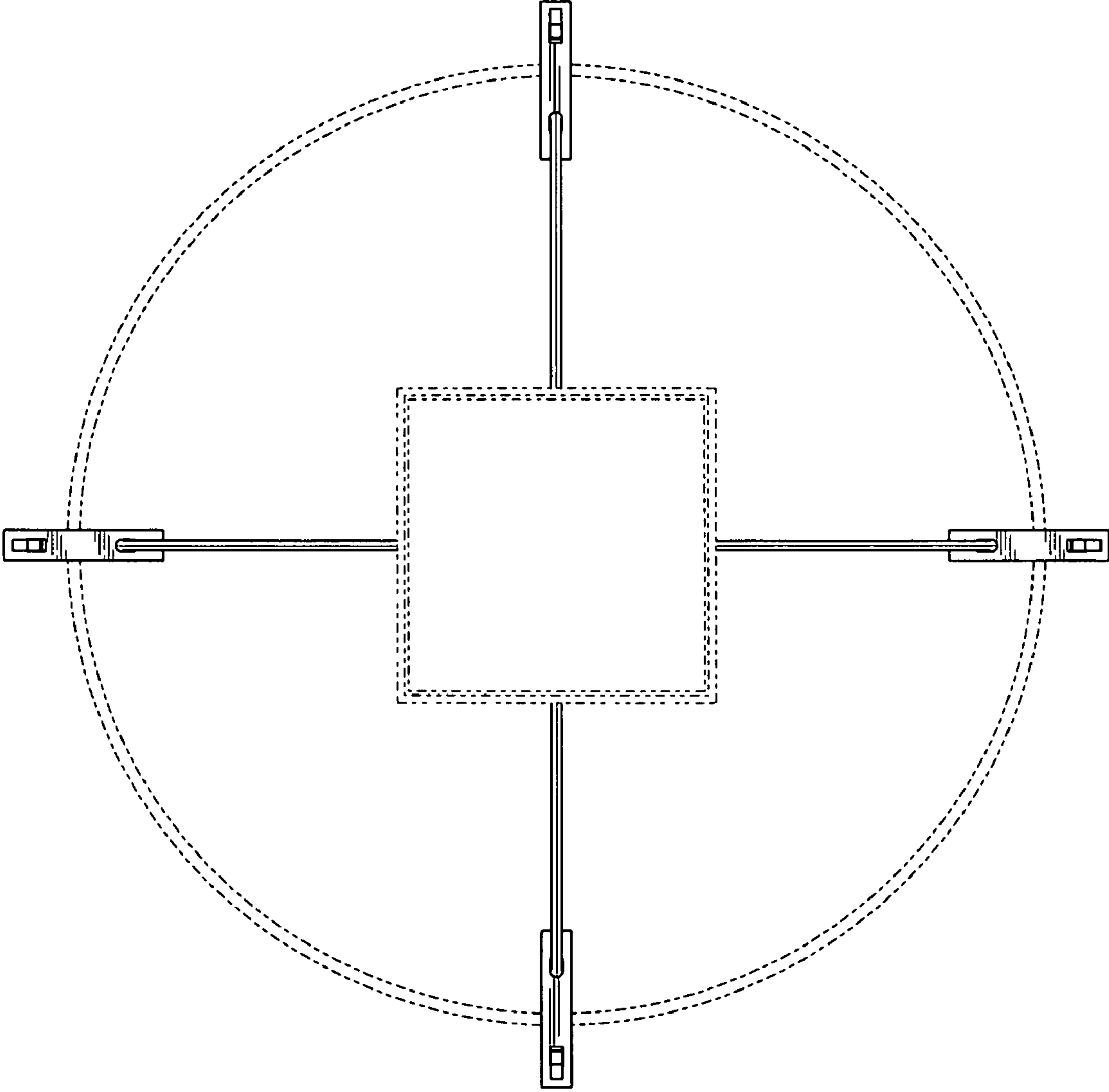


FIG. 4

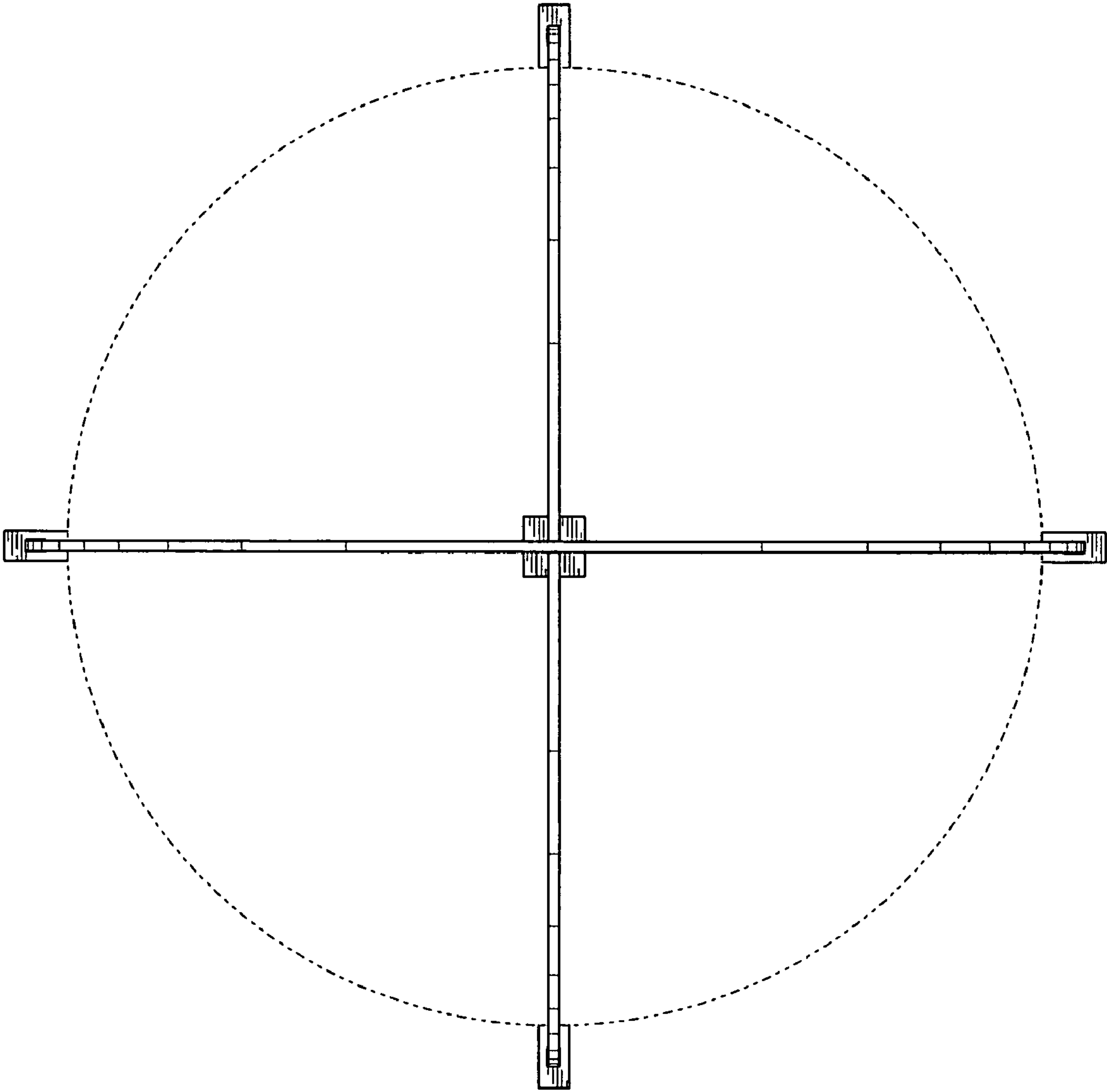


FIG. 5