



US00D592795S

(12) **United States Design Patent**
Chandler

(10) **Patent No.:** **US D592,795 S**
(45) **Date of Patent:** **** May 19, 2009**

(54) **LAMP SUPPORT**

(75) Inventor: **George Chandler**, Hubbardton, VT (US)

(73) Assignee: **Hubbardton Forge LLC**, Castleton, VT (US)

(**) Term: **14 Years**

(21) Appl. No.: **29/327,696**

(22) Filed: **Nov. 11, 2008**

(51) **LOC (9) Cl.** **26-03**

(52) **U.S. Cl.** **D26/88; D26/141**

(58) **Field of Classification Search** D26/75,
D26/76, 79, 81, 83, 84, 85, 88-91, 118, 138,
D26/141; 362/147, 404-408

See application file for complete search history.

(56) **References Cited**

U.S. PATENT DOCUMENTS

D79,241 S *	8/1929	Rosenblatt	D26/91
D84,763 S *	7/1931	Stange	D26/88
D165,738 S *	1/1952	Brochstein	D26/85
D403,458 S *	12/1998	Walz	D26/85
D562,493 S *	2/2008	Chen	D26/88

OTHER PUBLICATIONS

George Kovacs Pendant #P388-084, added to www.carolinarustica.com on Sep. 1, 2007.*

* cited by examiner

Primary Examiner—Clare E Heflin

(74) *Attorney, Agent, or Firm*—Bourque and Associates

(57) **CLAIM**

The ornamental design for a lamp support, as shown and described.

DESCRIPTION

FIG. 1 is a perspective view of the lamp support according to the present invention;

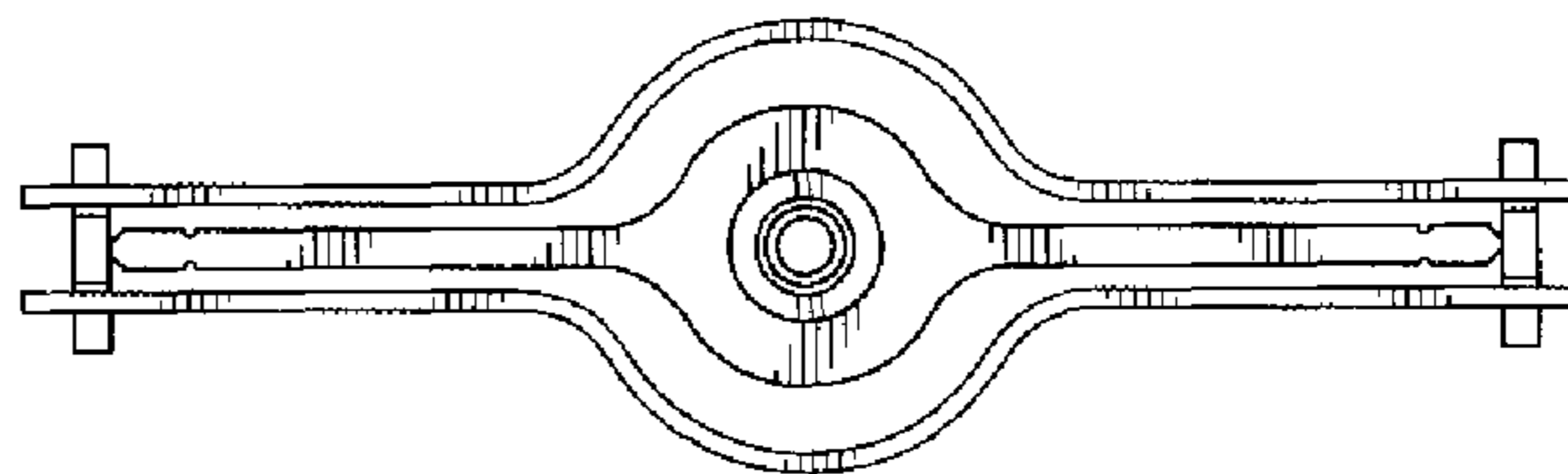
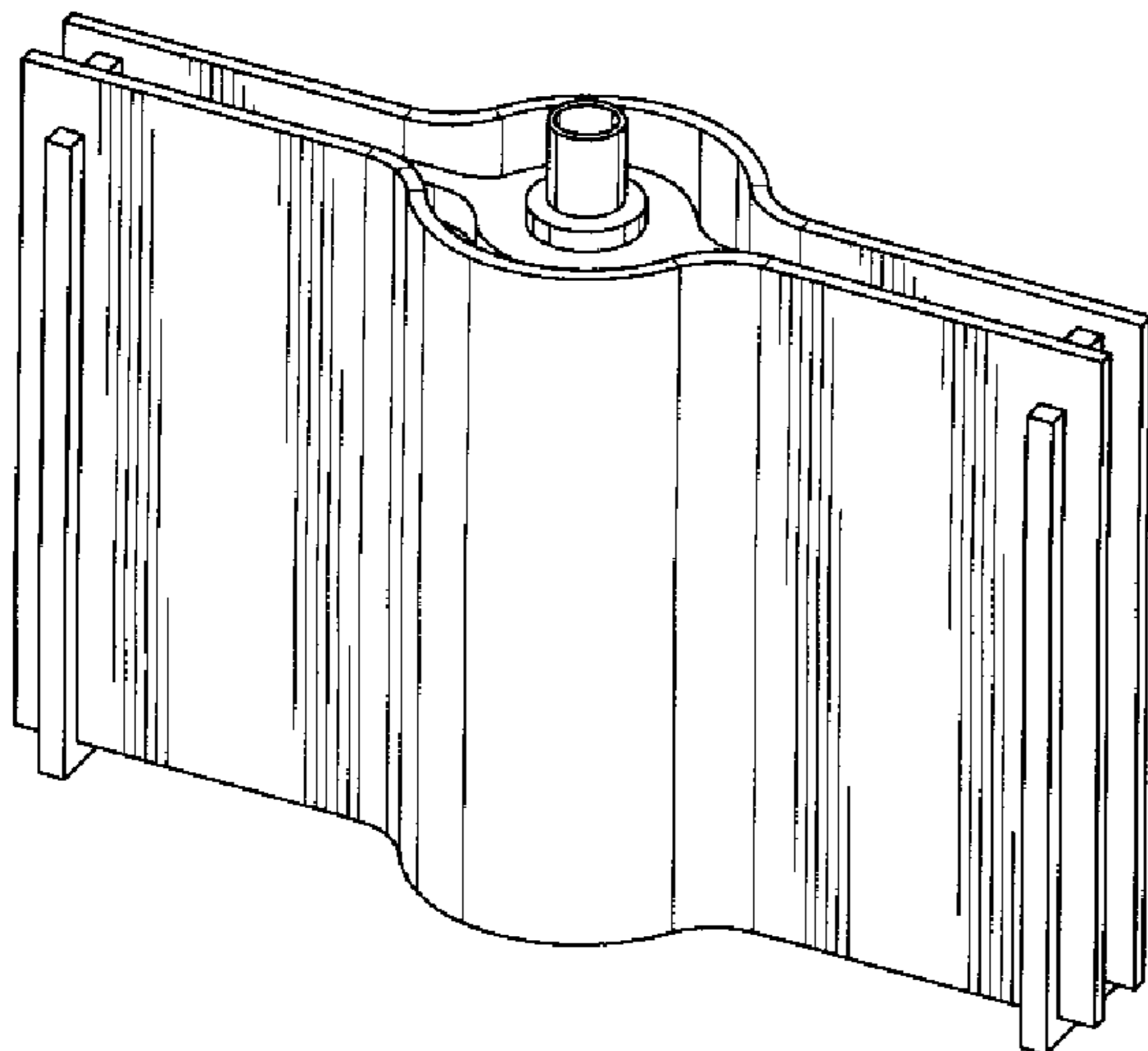
FIG. 2 is a front elevation view thereof, the rear elevation view being a mirror image of that shown;

FIG. 3 is a left side elevation view thereof, the right side elevation view being a mirror image of that shown;

FIG. 4 is a top plan view thereof; and,

FIG. 5 is a bottom plan view thereof.

1 Claim, 5 Drawing Sheets



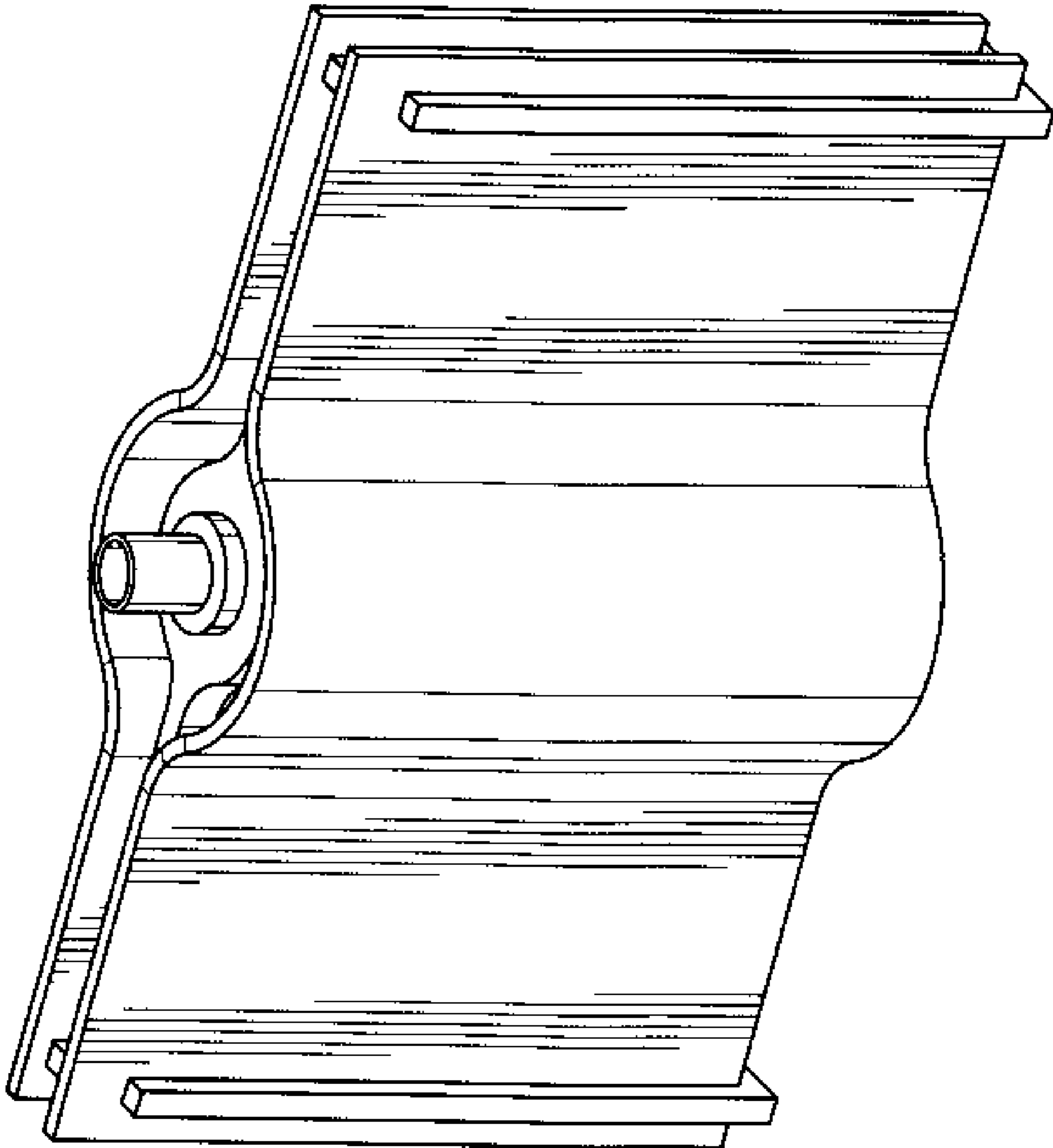


FIG. 1

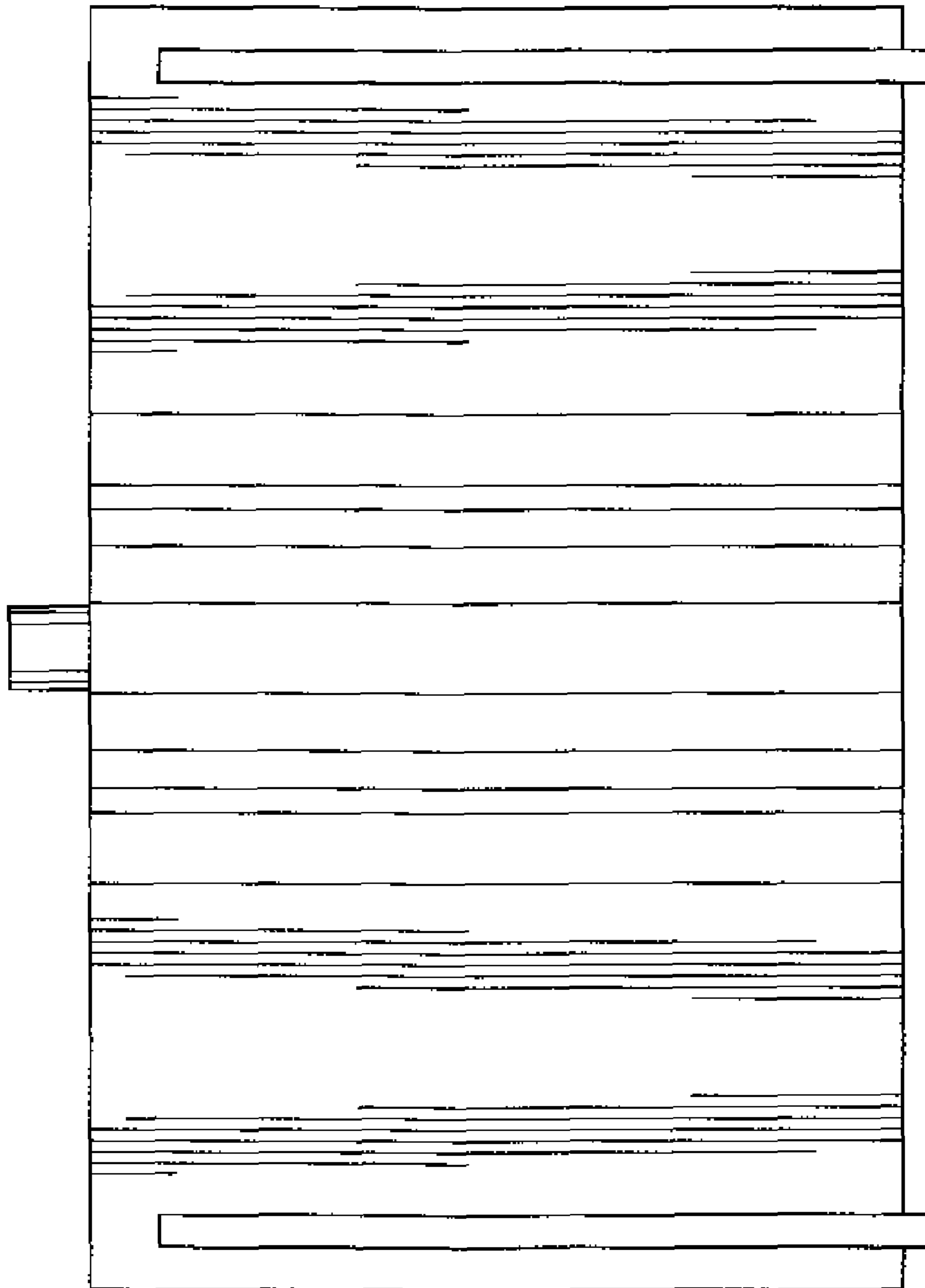


FIG. 2



FIG. 3

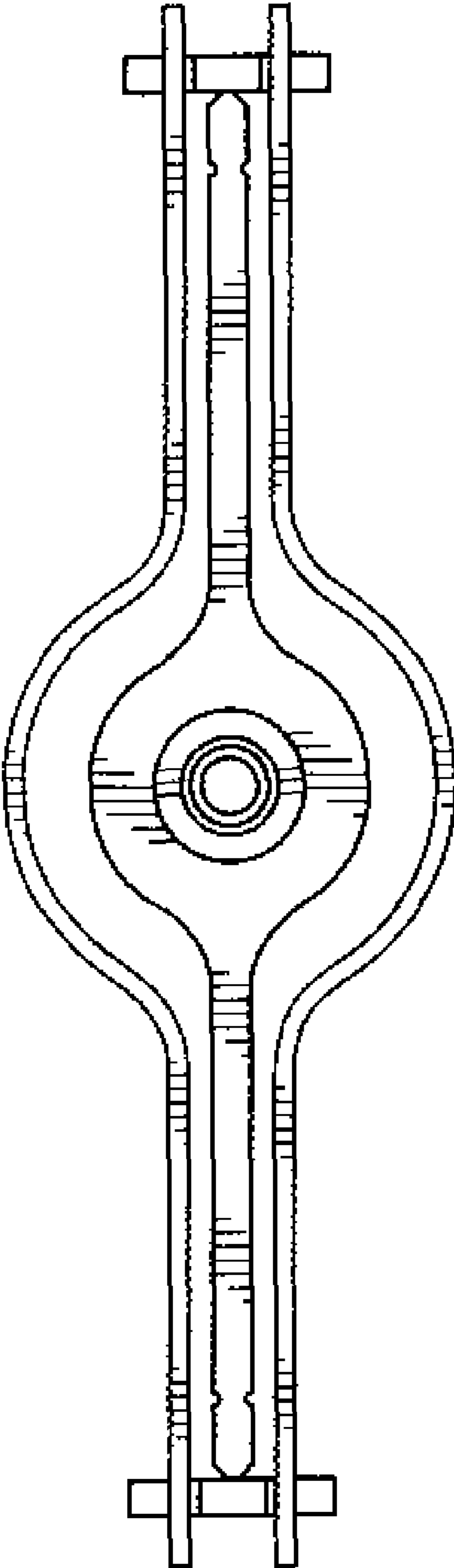


FIG. 4

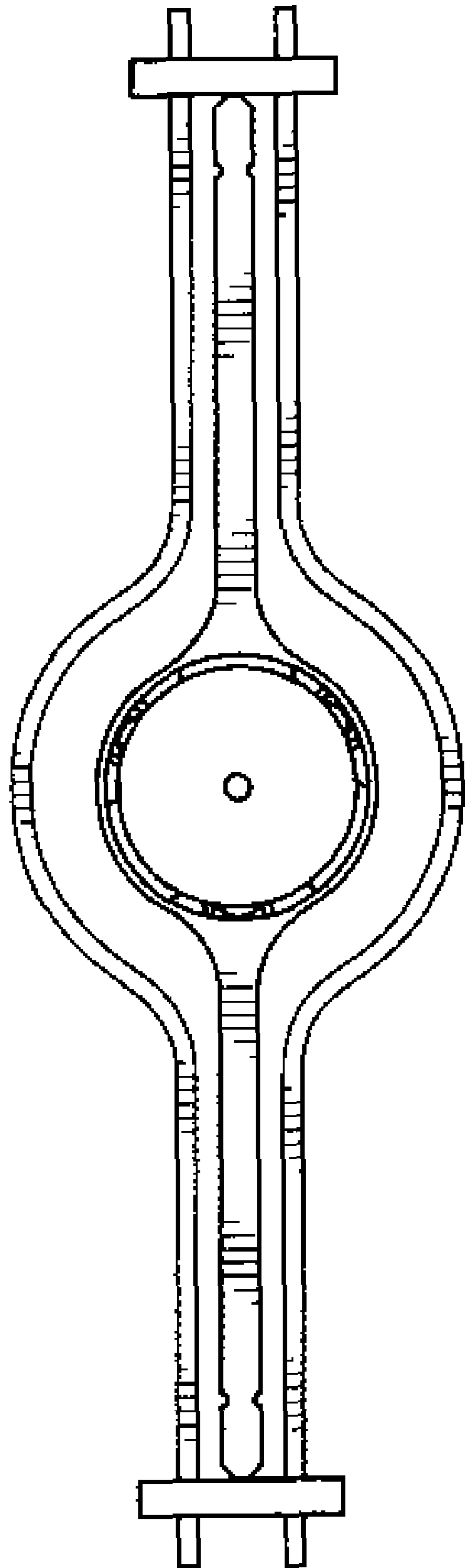


FIG. 5