



US00D592794S

(12) **United States Design Patent**
Chandler

(10) **Patent No.:** **US D592,794 S**

(45) **Date of Patent:** **** May 19, 2009**

(54) **HANGING LAMP SUPPORT**

(75) **Inventor:** **George Chandler**, Hubbardton, VT (US)

(73) **Assignee:** **Hubbardton Forge LLC**, Castleton, VT (US)

(**) **Term:** **14 Years**

(21) **Appl. No.:** **29/326,050**

(22) **Filed:** **Oct. 10, 2008**

(51) **LOC (9) Cl.** **26-03**

(52) **U.S. Cl.** **D26/88; D26/141**

(58) **Field of Classification Search** D26/75,
D26/76, 79, 81, 83, 84, 85, 88-91, 118, 138,
D26/141; 362/147, 404-408
See application file for complete search history.

(56) **References Cited**

U.S. PATENT DOCUMENTS

D468,474 S *	1/2003	Poulton	D26/90
D562,493 S *	2/2008	Chen	D26/88
D574,547 S *	8/2008	Chandler	D26/88
D575,892 S *	8/2008	Chandler	D26/84

OTHER PUBLICATIONS

“Barcelona” Pendant #E20261 shown on p. 178 of the ET2 Lighting catalog 2007 Catalog/ 2nd Edition.*

* cited by examiner

Primary Examiner—Clare E Heflin

(74) *Attorney, Agent, or Firm*—Bourque and Associates

(57) **CLAIM**

The ornamental design for a hanging lamp support, as shown and described.

DESCRIPTION

FIG. 1 is a perspective view of the hanging lamp support according to the present invention;

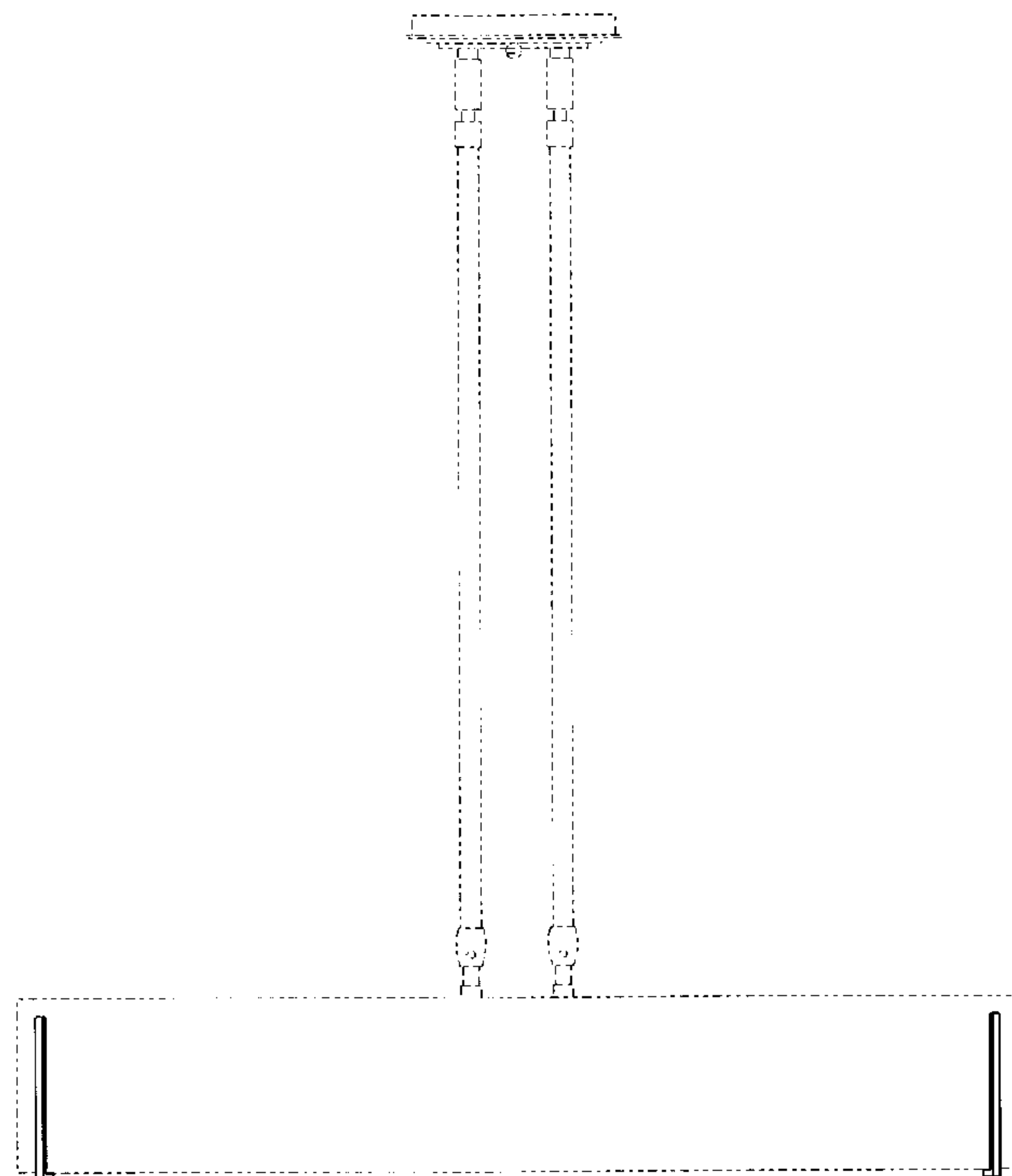
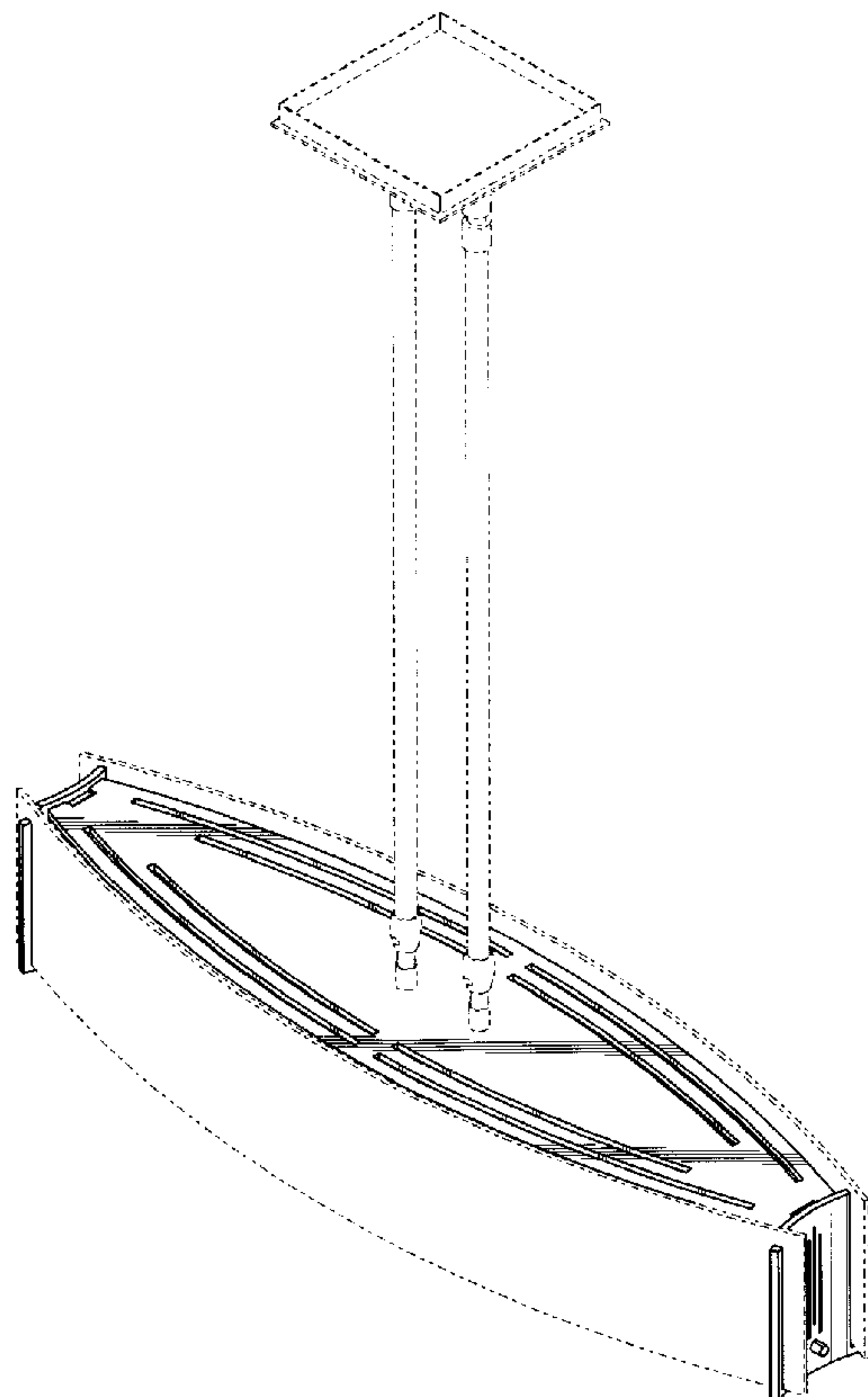
FIG. 2 is a front view of the hanging lamp support; the back side being a mirror image thereof;

FIG. 3 is a left view of the hanging lamp support; the right side being a mirror image thereof;

FIG. 4 is a top view of the hanging lamp support thereof; and, FIG. 5 is a bottom view of the hanging lamp support thereof.

The broken lines shown are for illustrative purposes only and form no part of the claimed design.

1 Claim, 4 Drawing Sheets



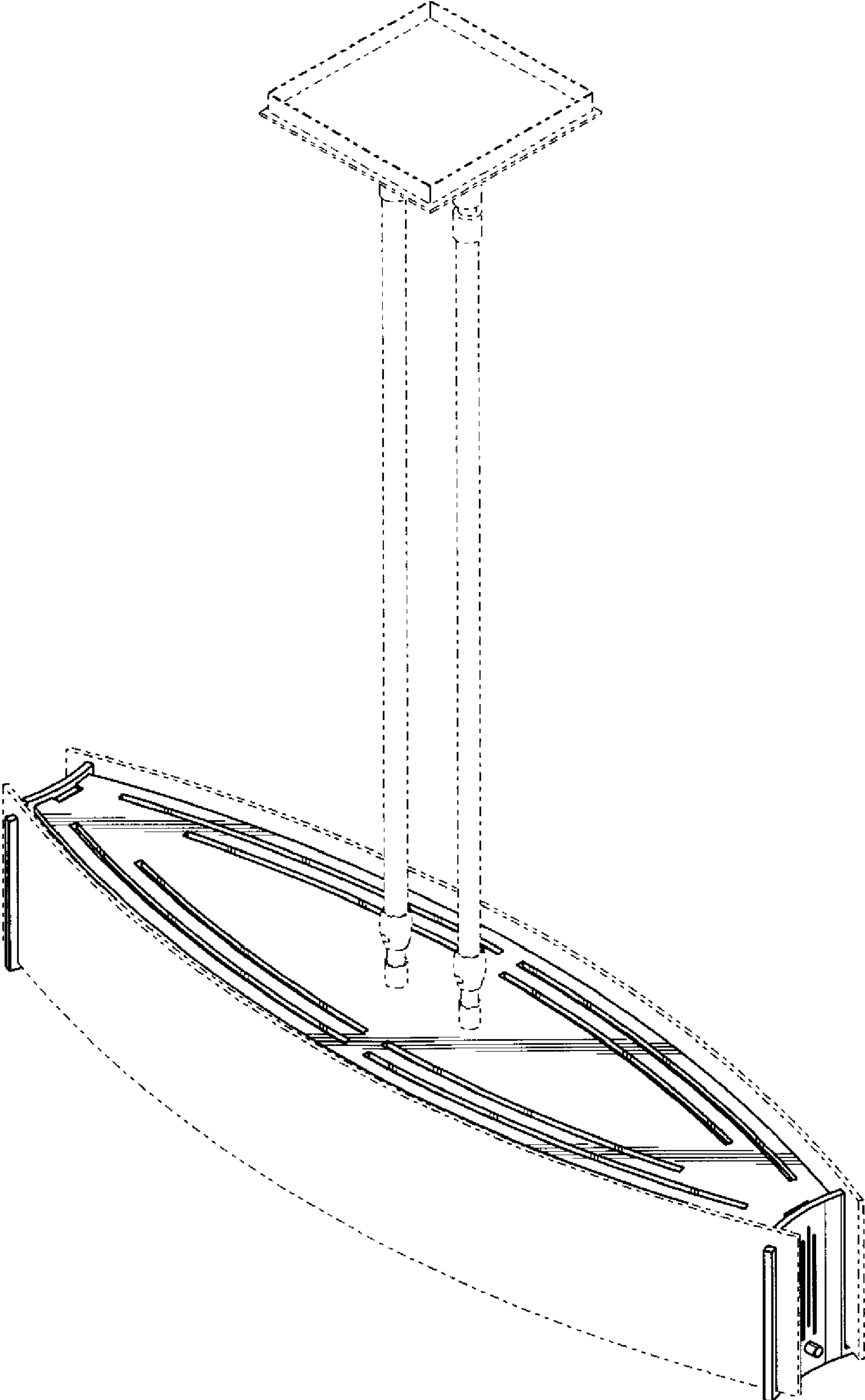


FIG. 1

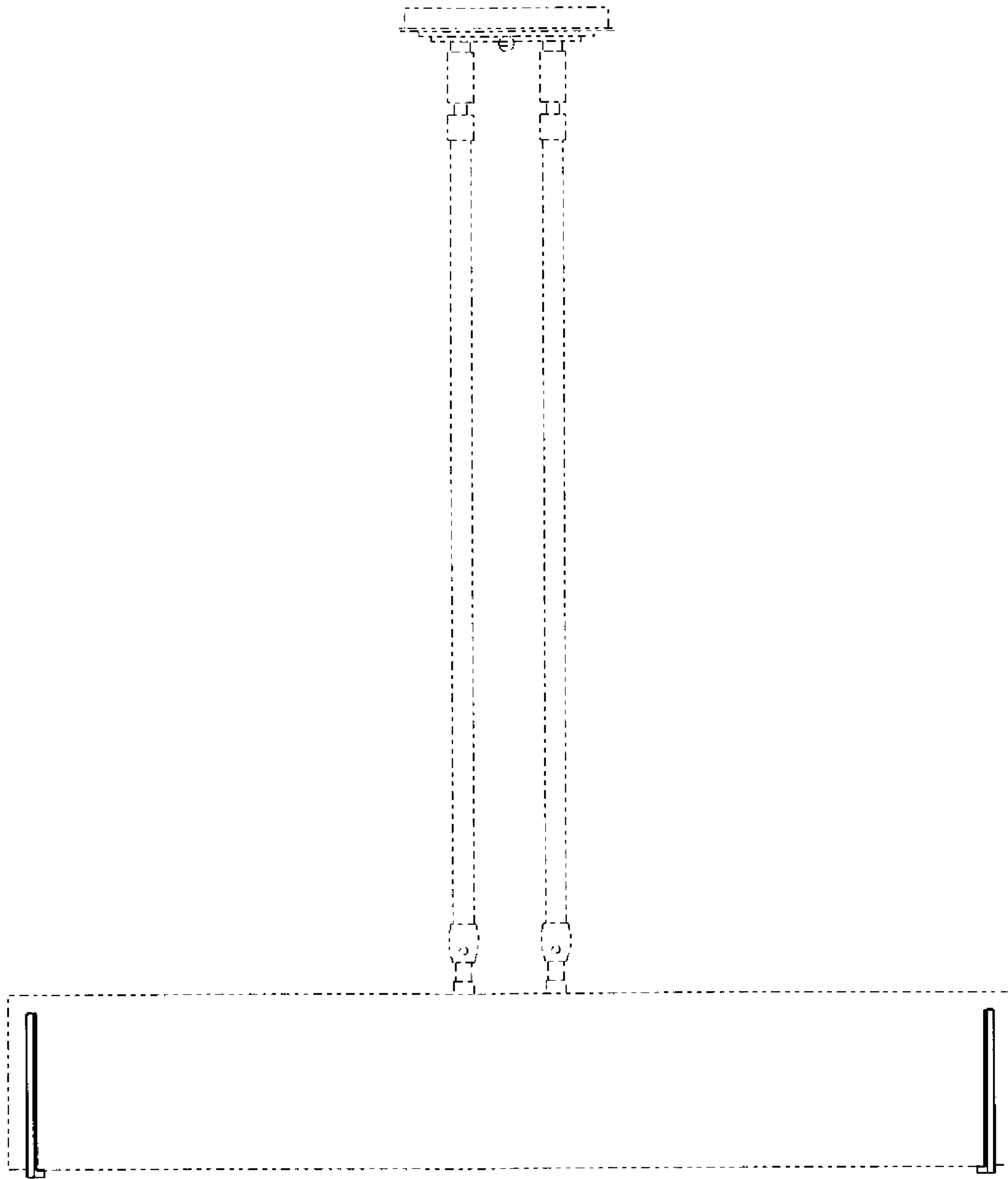


FIG. 2

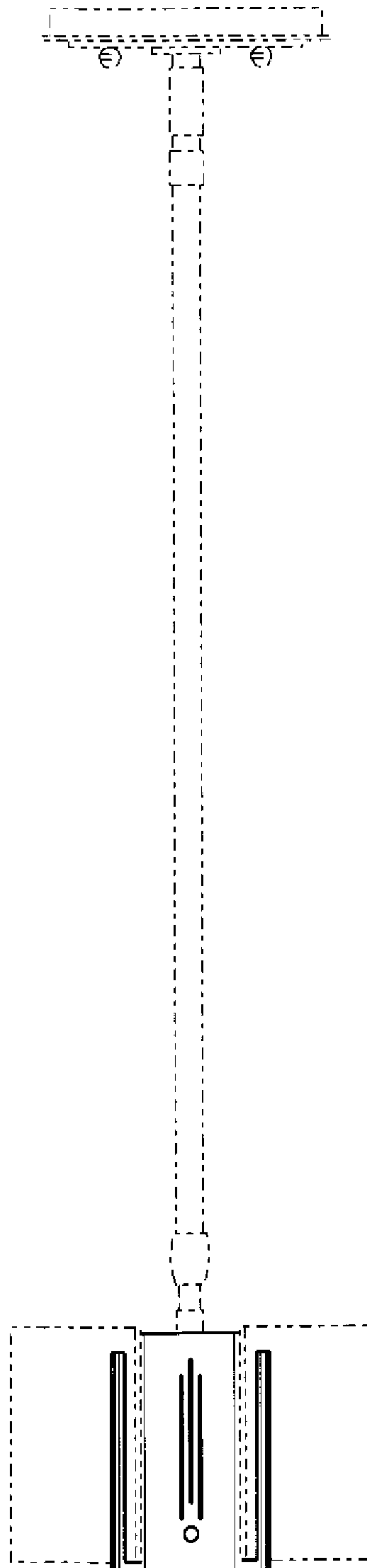


FIG. 3

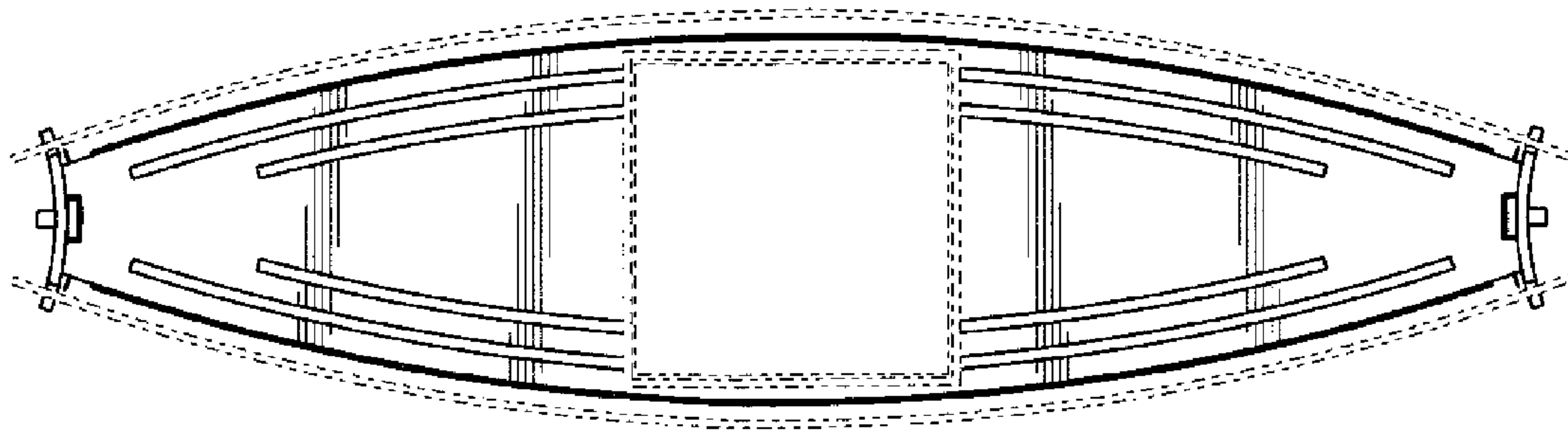


FIG. 4

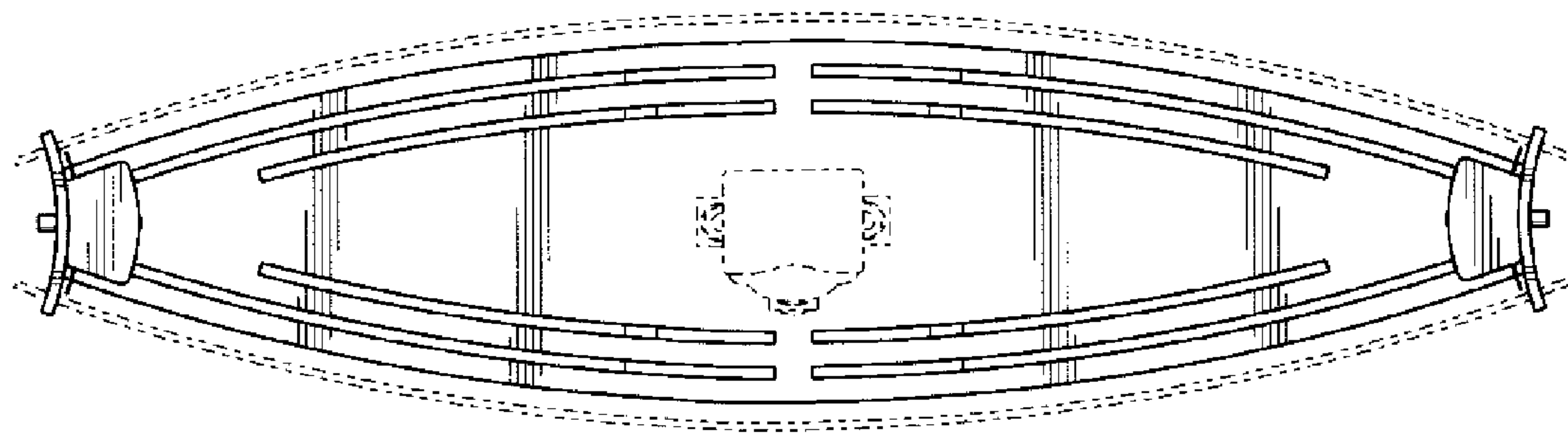


FIG. 5