



US00D592792S

(12) **United States Design Patent**  
**Keller**

(10) **Patent No.:** **US D592,792 S**

(45) **Date of Patent:** **\*\* May 19, 2009**

(54) **LUMINAIRE**

(75) Inventor: **Charles Keller**, St. Gallen (AT)

(73) Assignee: **Zumtobel Lighting GmbH**, Dornbirn (AT)

(\*\*) Term: **14 Years**

(21) Appl. No.: **29/317,814**

(22) Filed: **May 7, 2008**

**Related U.S. Application Data**

(63) Continuation of application No. 29/306,425, filed on Apr. 9, 2008, now Pat. No. Des. 584,851.

(30) **Foreign Application Priority Data**

Oct. 16, 2007 (EM) ..... 000809074

(51) **LOC (9) Cl.** ..... **26-03**

(52) **U.S. Cl.** ..... **D26/88**

(58) **Field of Classification Search** ..... D26/72,  
D26/85, 88, 89, 92; 362/147, 187, 294, 340,  
362/371, 374, 375, 404, 431, 432  
See application file for complete search history.

(56) **References Cited**

**U.S. PATENT DOCUMENTS**

3,517,183 A \* 6/1970 Rebres ..... 362/280  
D220,207 S \* 3/1971 Edman et al. .... D26/67  
3,878,505 A \* 4/1975 Seibert ..... 362/294  
D235,228 S \* 5/1975 Van Steenhoven ..... D26/67

4,814,957 A \* 3/1989 Dennis ..... 362/187  
4,985,815 A \* 1/1991 Endo ..... 362/294  
D324,924 S \* 3/1992 Bengochea ..... D26/88  
5,136,490 A \* 8/1992 Morrison ..... 362/294  
D433,526 S \* 11/2000 Minissi et al. .... D26/88

\* cited by examiner

*Primary Examiner*—Clare E Heflin

(74) *Attorney, Agent, or Firm*—Marshall, Gerstein & Borun LLP

(57) **CLAIM**

The ornamental design for a luminaire, as shown.

**DESCRIPTION**

FIG. 1 is a perspective view from a side and below a luminaire that has the design.

FIG. 2 is a perspective view from the same side and above the luminaire seen in FIG. 1.

FIG. 3 is an elevational view of the side of the luminaire seen in the front of FIG. 1.

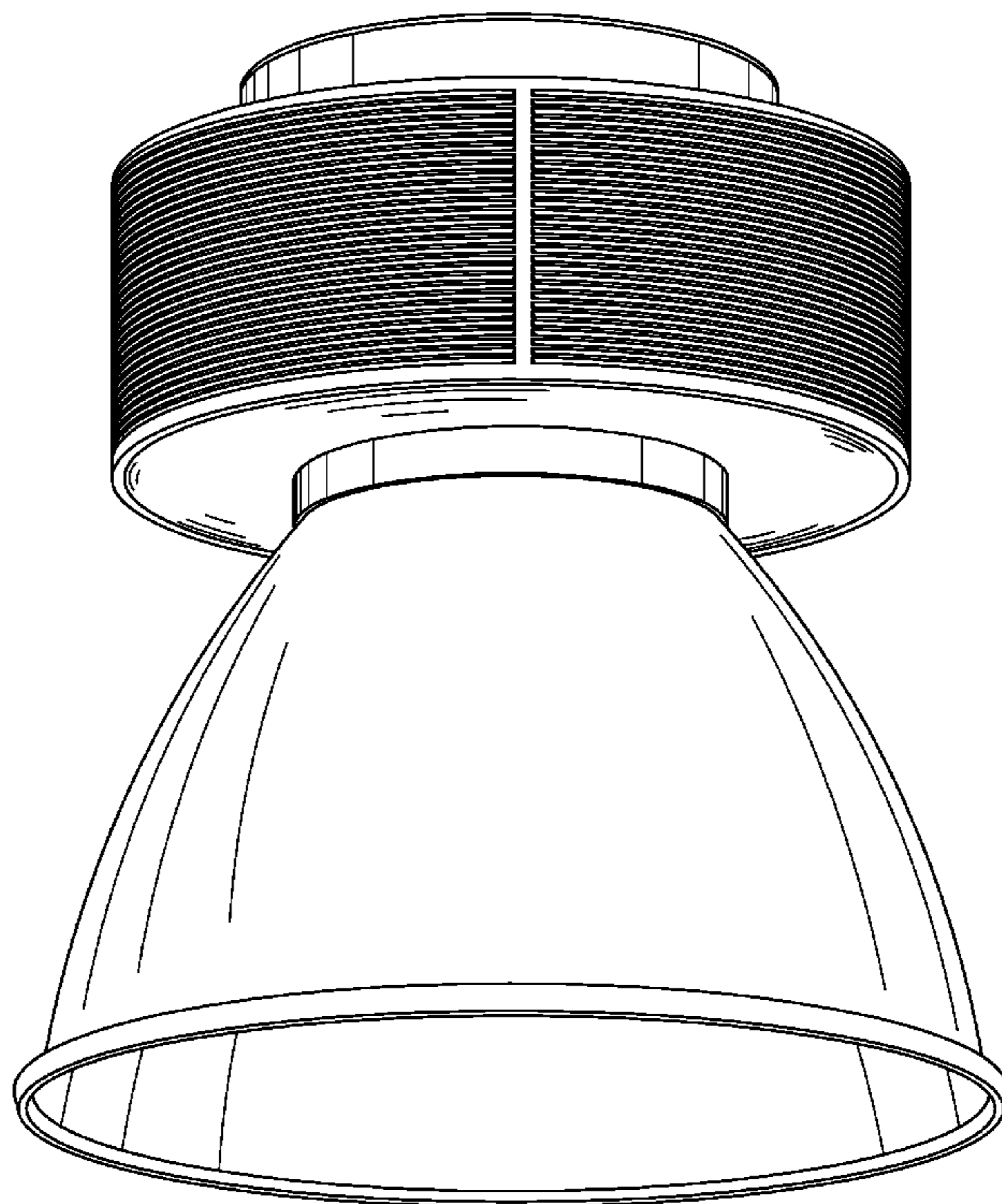
FIG. 4 is an elevational view of the side of the luminaire seen on the right side of FIG. 1.

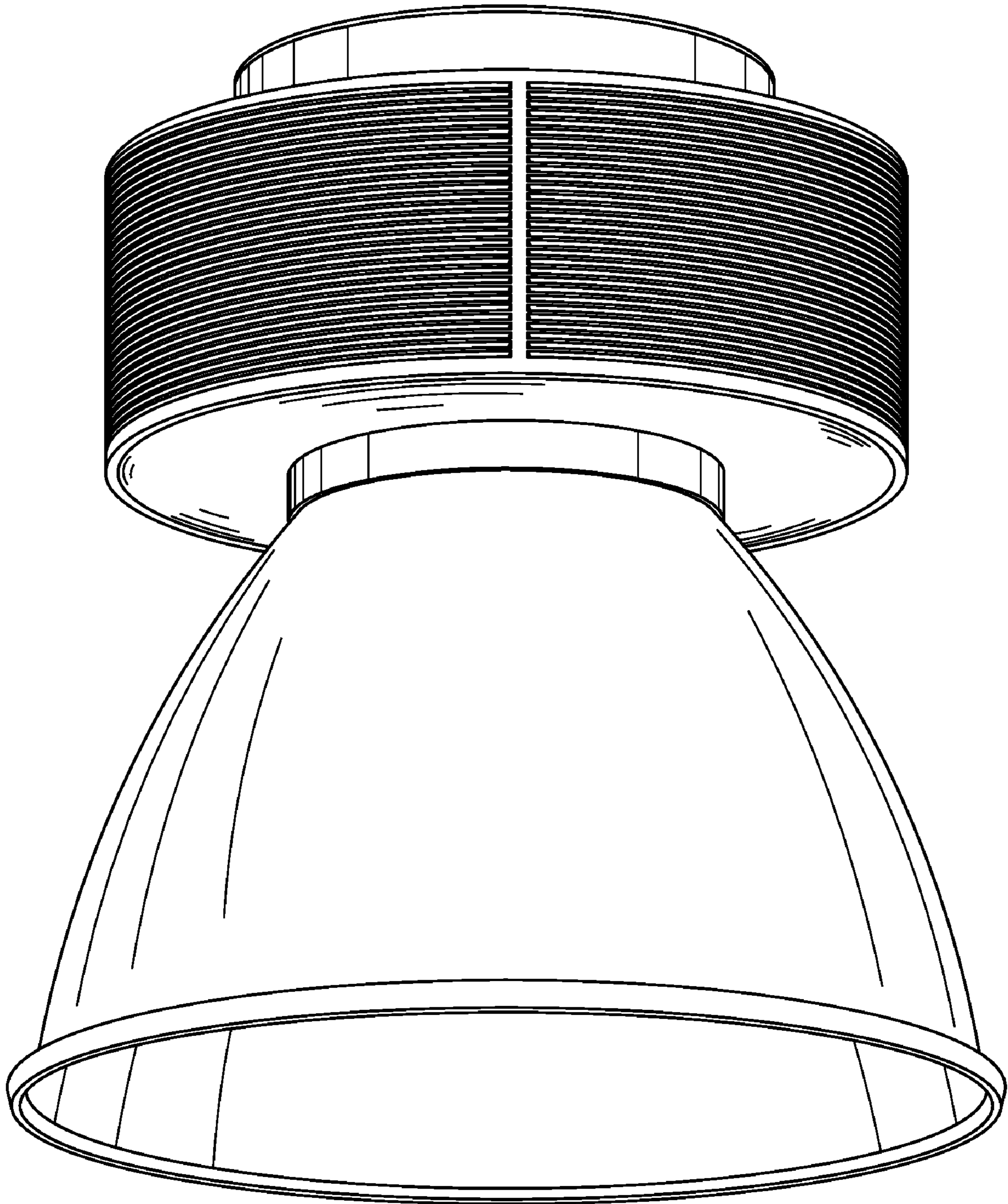
FIG. 5 is an elevational view of the side of the luminaire seen in the back of FIG. 1.

FIG. 6 is an elevational view of the side of the luminaire seen on the left side of FIG. 1.

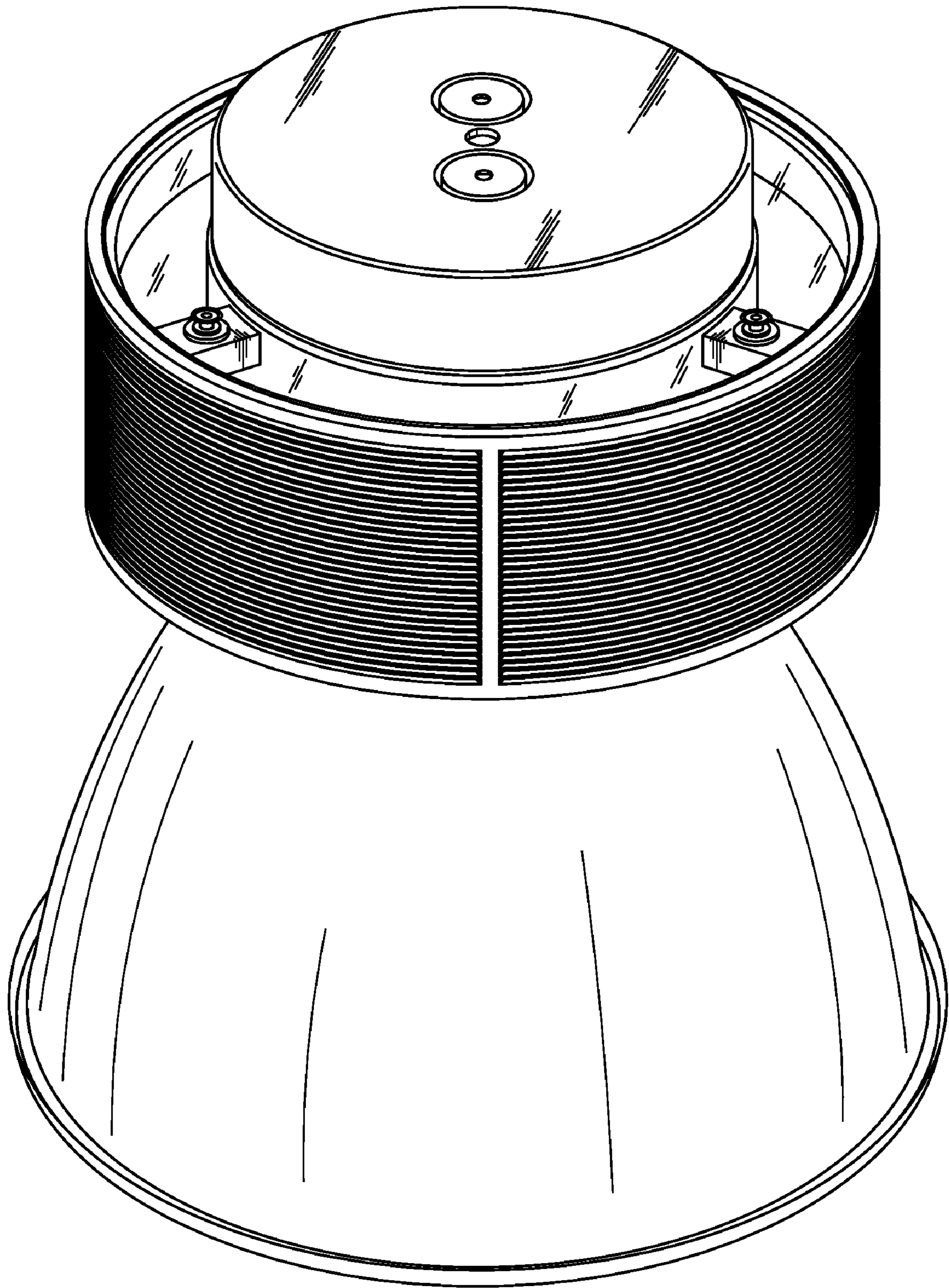
FIG. 7 is a bottom view of the luminaire seen in FIG. 1; and, FIG. 8 is a top view of the luminaire seen in FIG. 1.

**1 Claim, 8 Drawing Sheets**

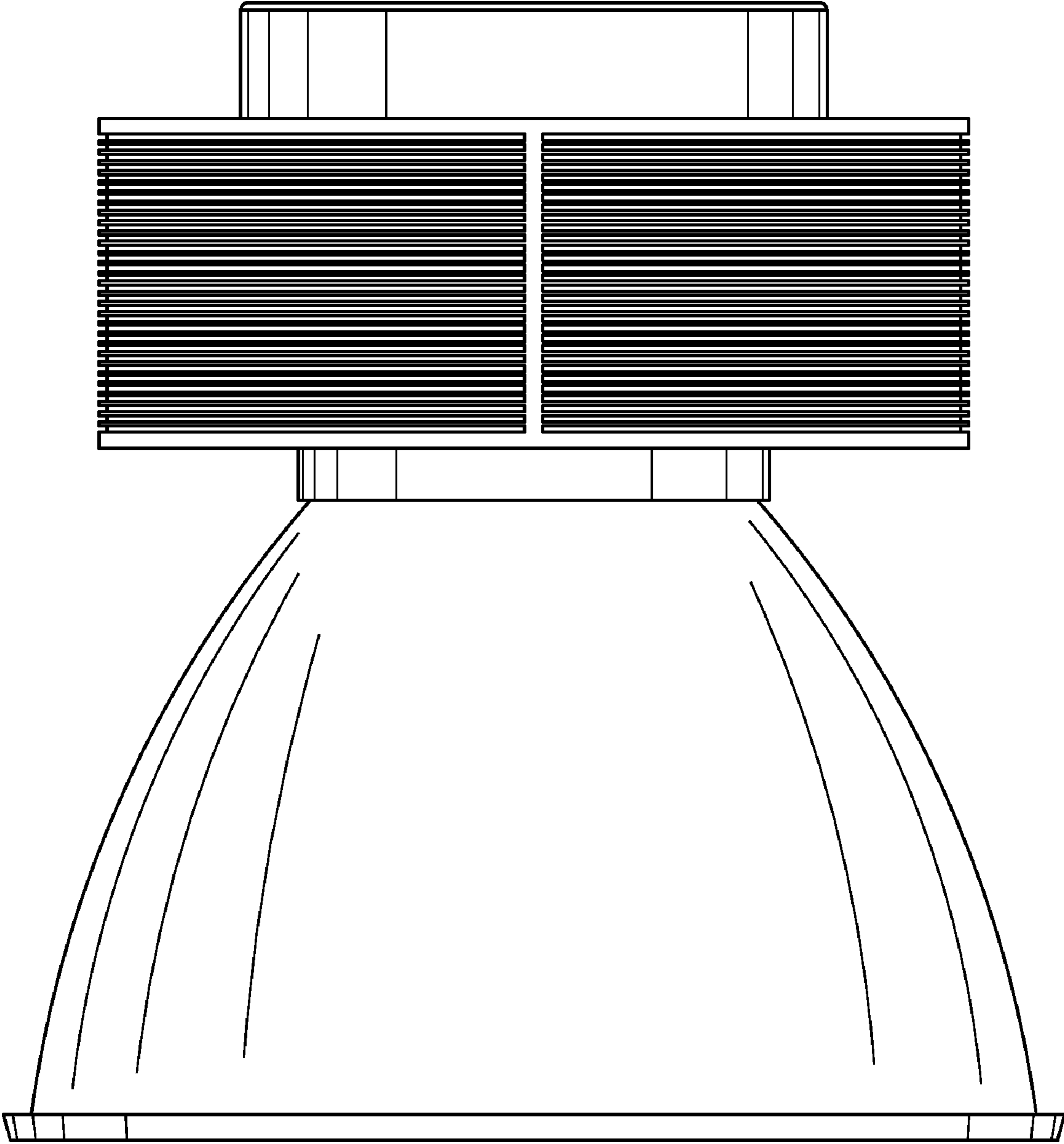




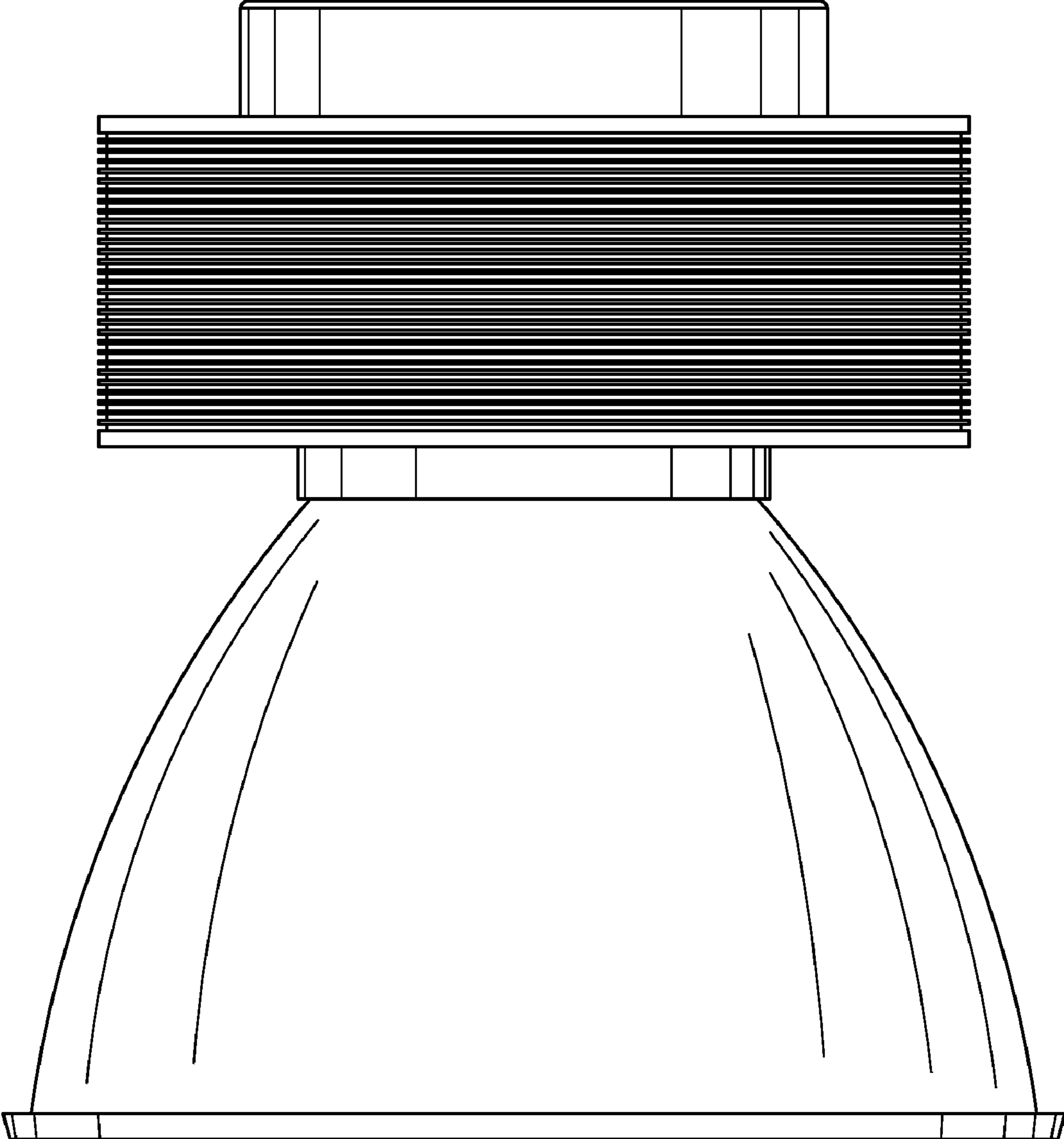
**FIG. 1**



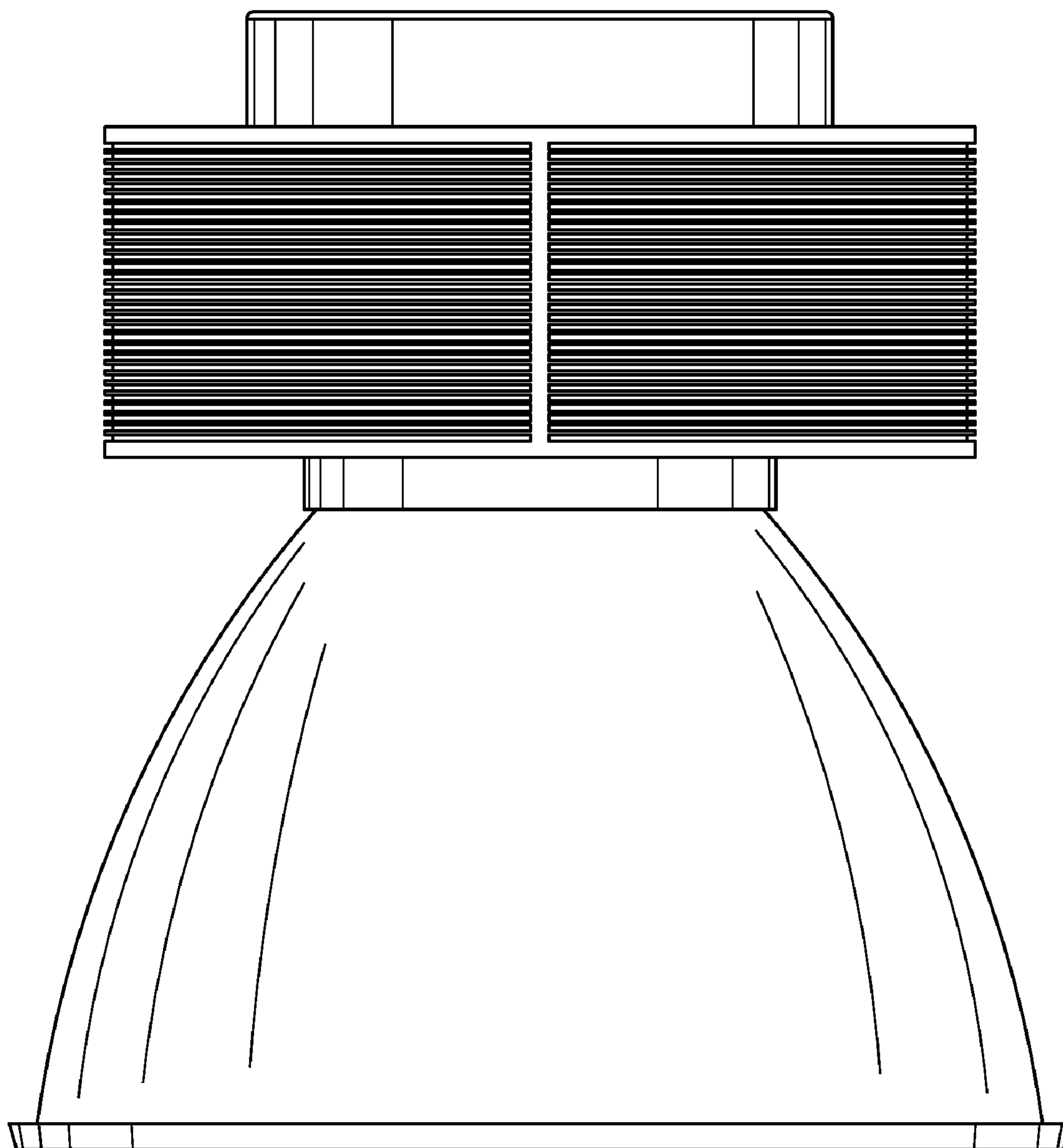
**FIG. 2**



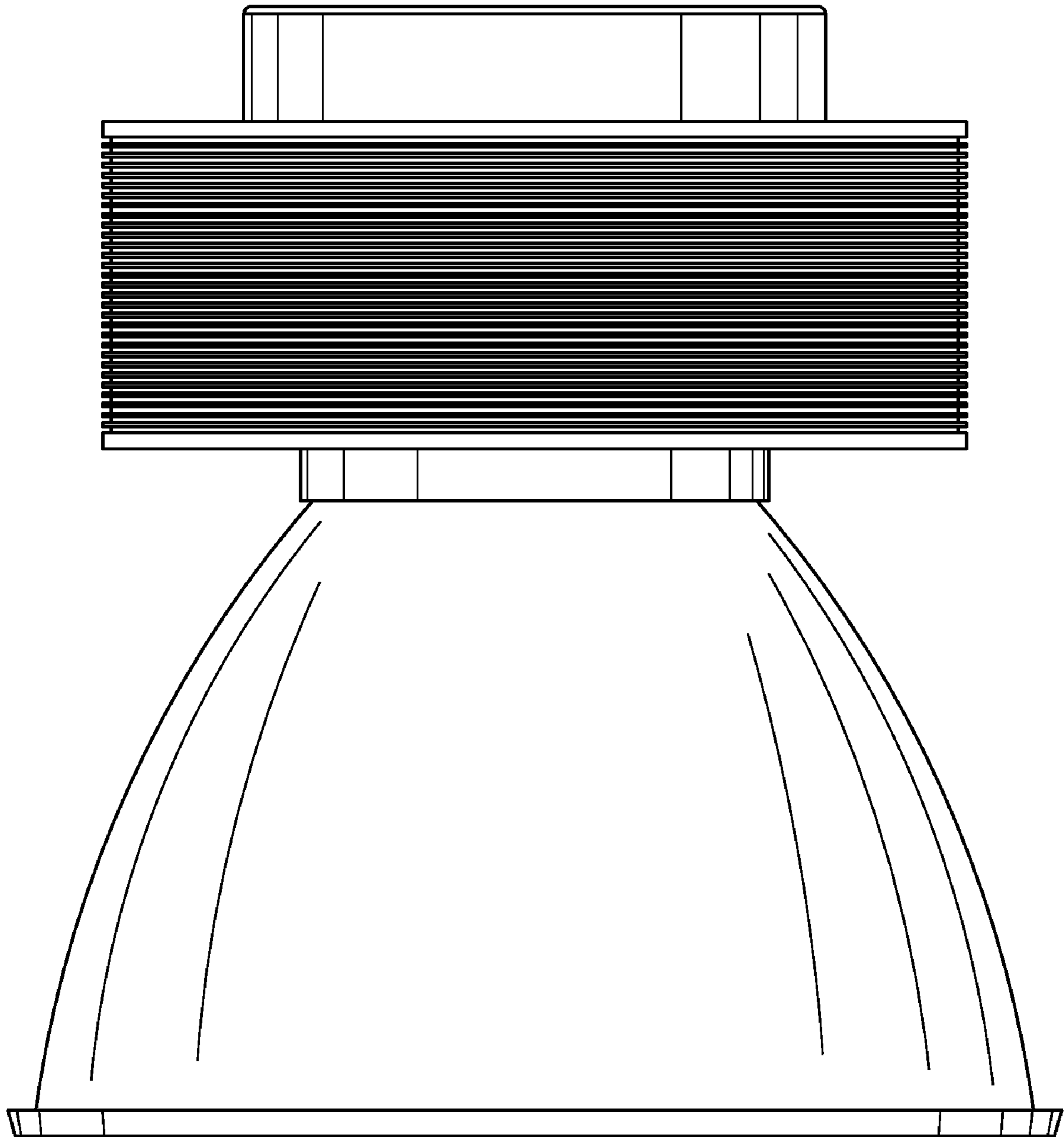
**FIG. 3**



**FIG. 4**



**FIG. 5**



**FIG. 6**

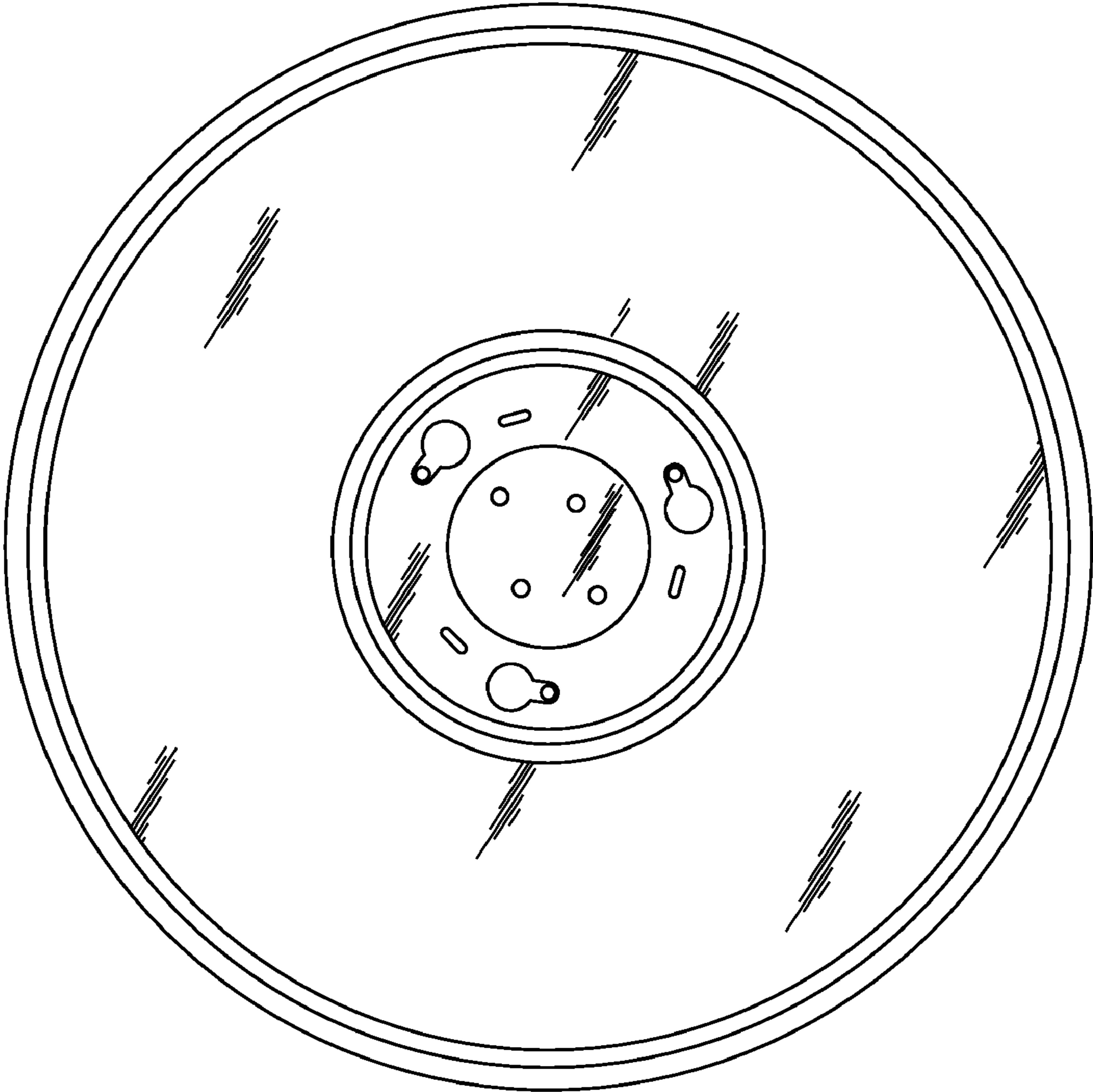
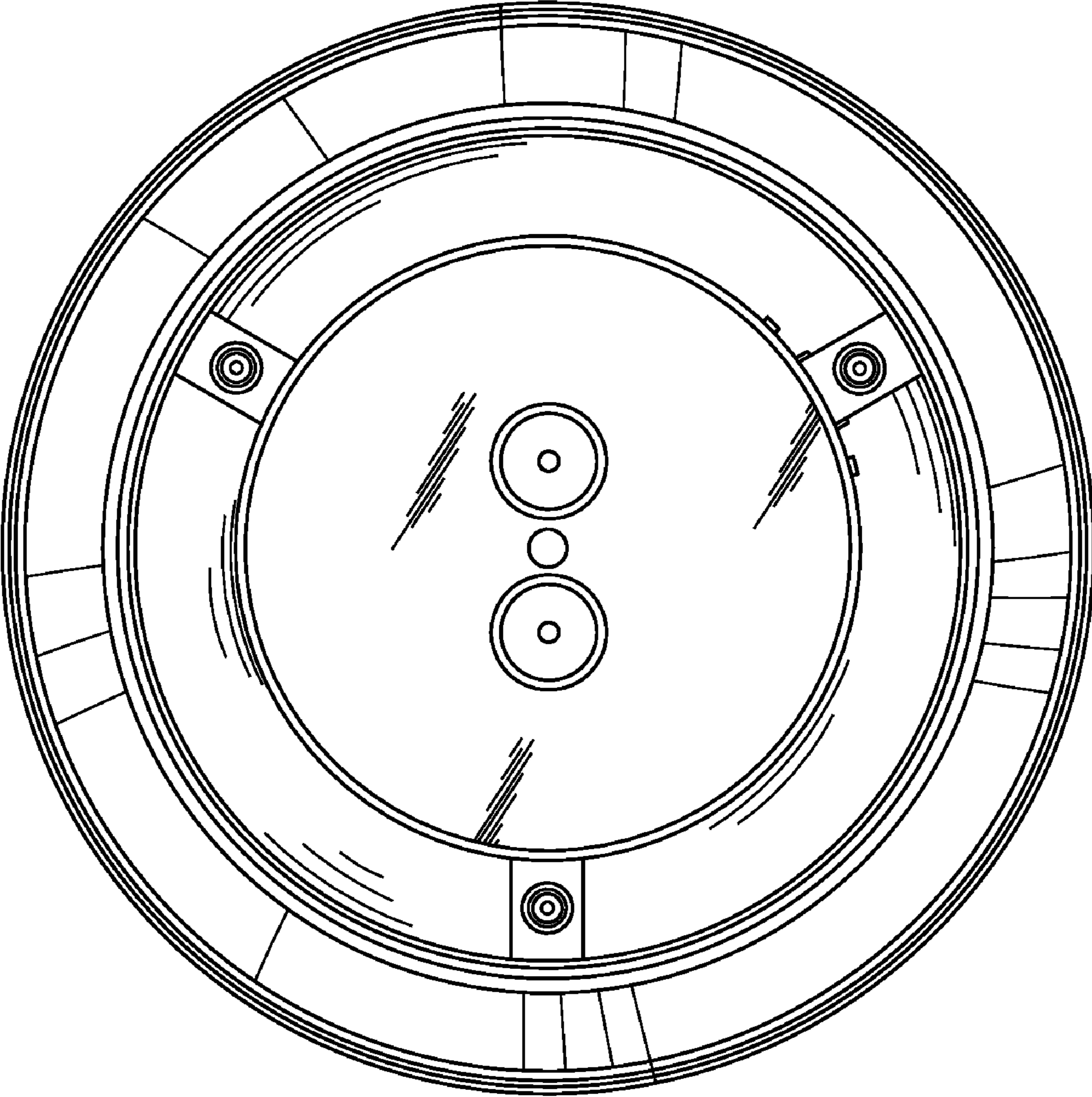


FIG. 7





**FIG. 8**