



US00D592791S

(12) **United States Design Patent**  
**Sabernig**

(10) **Patent No.:** **US D592,791 S**

(45) **Date of Patent:** **\*\* May 19, 2009**

(54) **LIGHT FIXTURE**

(75) Inventor: **Robert Sabernig**, Munster (AT)

(73) Assignee: **EGLO Leuchten GmbH**, Innsbruck (AT)

(\*\*) Term: **14 Years**

(21) Appl. No.: **29/324,051**

(22) Filed: **Sep. 5, 2008**

(51) **LOC (9) Cl.** ..... **26-03**

(52) **U.S. Cl.** ..... **D26/84**

(58) **Field of Classification Search** ..... D26/8-91,  
D26/128-131; 362/147, 317, 351, 404-408  
See application file for complete search history.

(56) **References Cited**

**U.S. PATENT DOCUMENTS**

D48,279 S *	12/1915	Guth	.....	D26/83
D83,683 S *	3/1931	Kopp	.....	D26/130
D217,086 S *	4/1970	Miller	.....	D22/123
D239,729 S *	4/1976	Alabardo	.....	D26/83
D267,900 S *	2/1983	Ishii	.....	D26/83
D444,263 S *	6/2001	Dolan	.....	D26/130
D444,908 S *	7/2001	Dolan	.....	D26/130
D459,018 S *	6/2002	Dolan	.....	D26/102
D459,831 S *	7/2002	Dolan	.....	D26/118

**OTHER PUBLICATIONS**

Light Fixture models "Glimt", "Pabo" and "Cesium" shown on p. 336 of the 2007 Ikea Catalog, © Jun. 2006.\*

All fixtures from the "Golden Mean" collection shown on p. 175 of the Framburg Catalog A2006; © 2006.\*

Oggetti; Bimbi Three-Light Trapeze Suspension; printed from Modern Lighting Universe Catalog on Dec. 22, 2008.

Minka Group Catalog; Metropolitan Sconce; Model No. N6511-468; printed from Minka Lighting, Inc. USA on Dec. 22, 2008.

\* cited by examiner

*Primary Examiner*—Clare E Heflin

(74) *Attorney, Agent, or Firm*—Baker & McKenzie LLP

(57) **CLAIM**

The ornamental design for a light fixture, as shown and described.

**DESCRIPTION**

FIG. 1 is a bottom perspective view of a light fixture in accordance with my design;

FIG. 2 is a top plan view of the light fixture in accordance with my design;

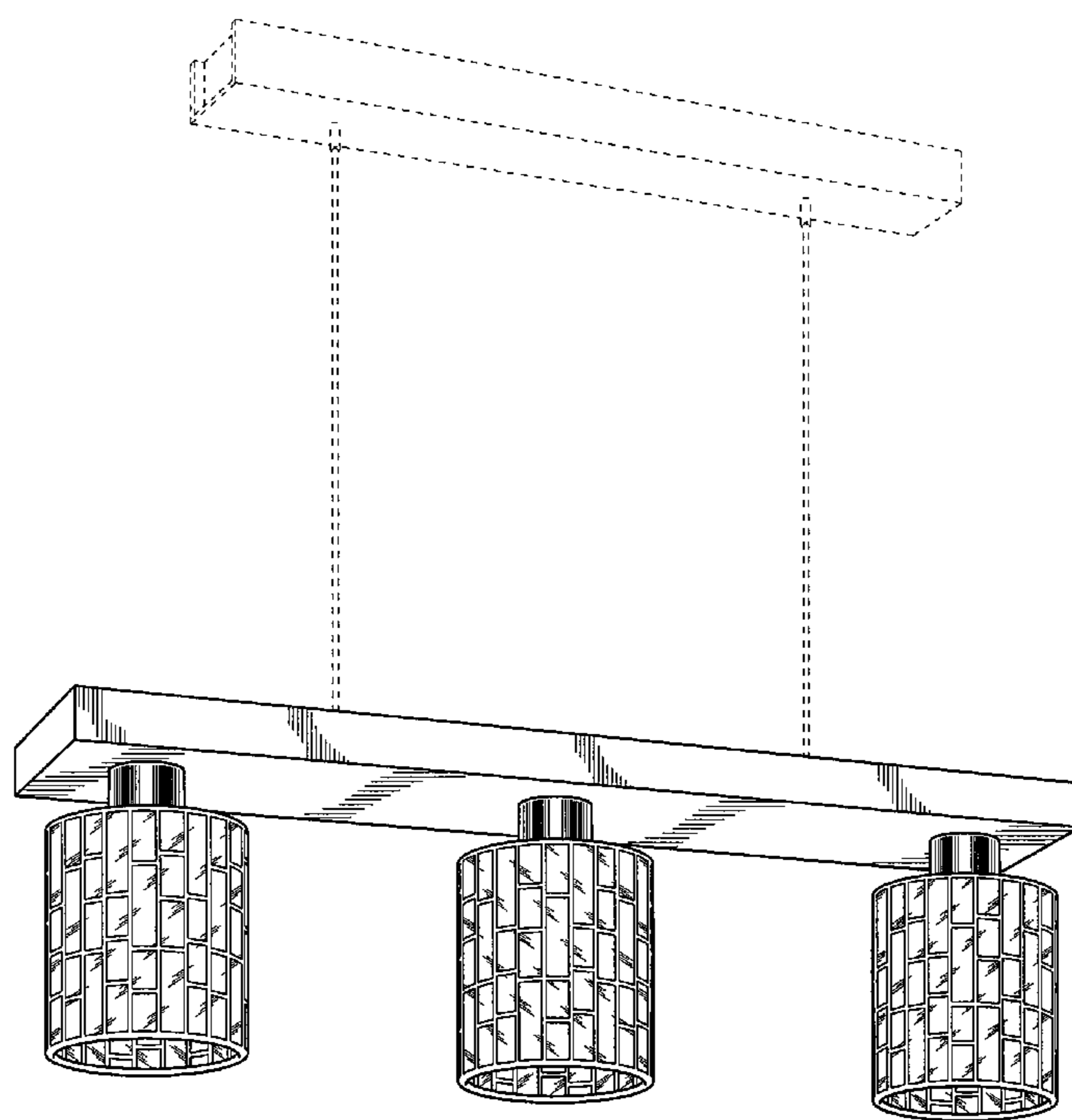
FIG. 3 is a bottom plan view of the light fixture in accordance with my design;

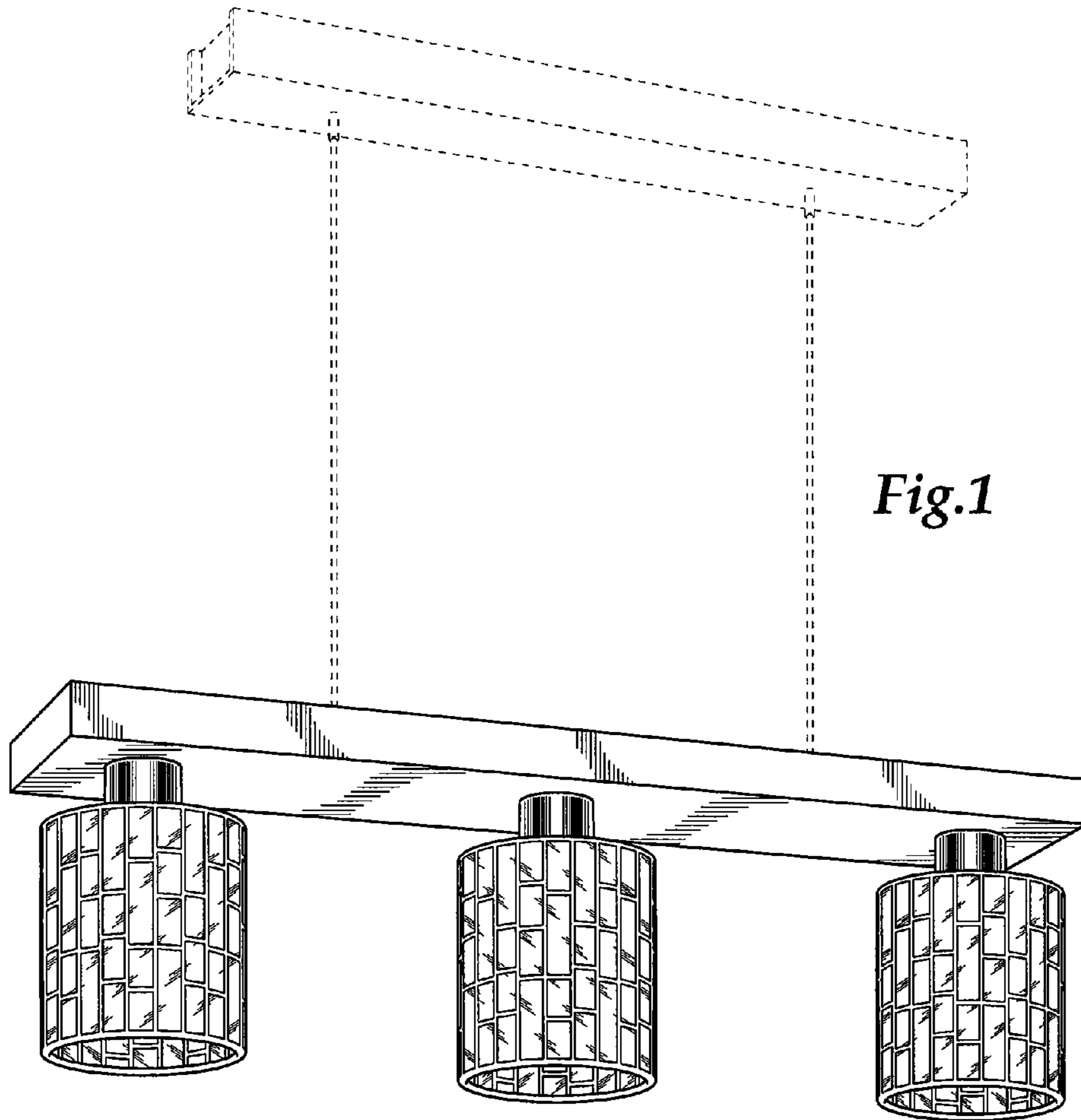
FIG. 4 is a front elevation view of the light fixture in accordance with my design, the opposite side being a mirror image of that shown; and,

FIG. 5 is a side elevation view of the light fixture in accordance with my design, the opposite side being a mirror image of that shown.

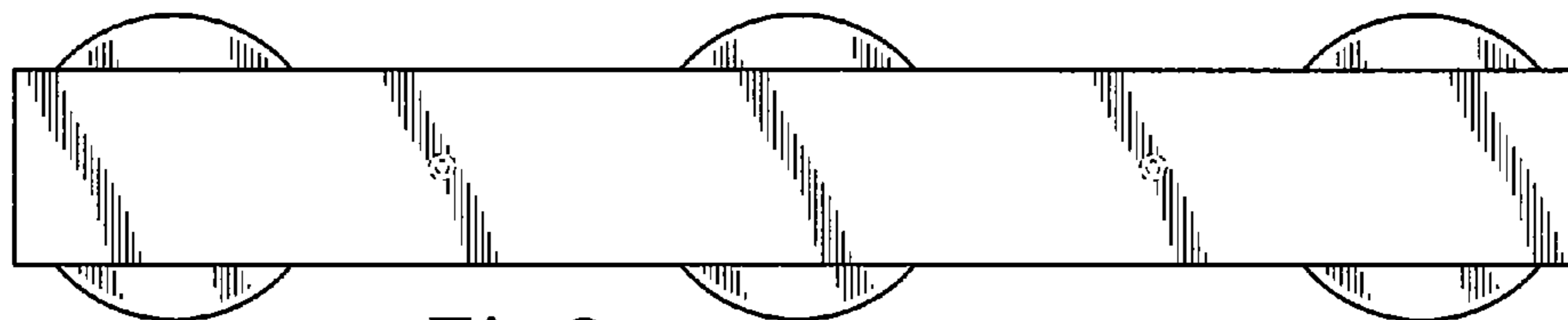
The broken lines showing environmental structure are for illustrative purposes only and form no part of the claimed design.

**1 Claim, 2 Drawing Sheets**

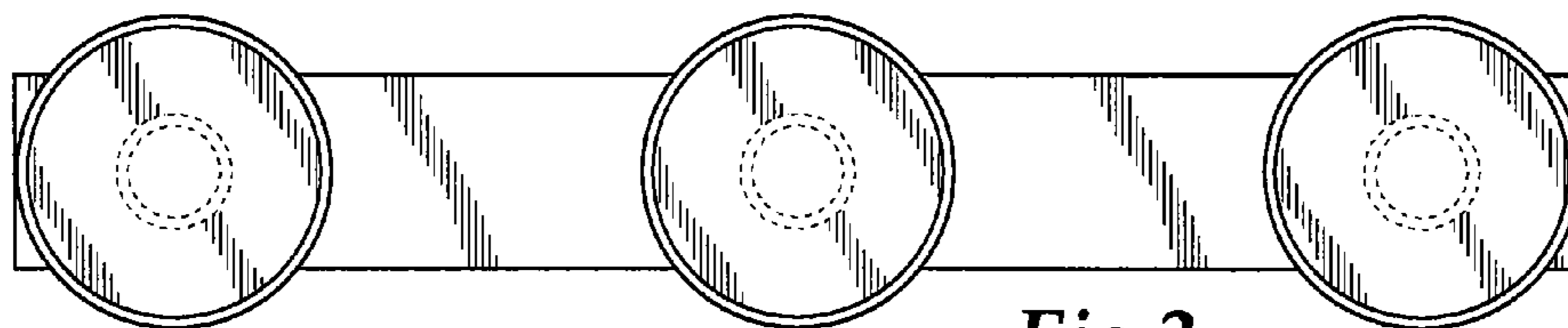




*Fig.1*



*Fig.2*



*Fig.3*

