



US00D592788S

(12) **United States Design Patent**
Sabernig

(10) **Patent No.:** **US D592,788 S**

(45) **Date of Patent:** **** May 19, 2009**

(54) **LIGHT FIXTURE**

(75) Inventor: **Robert Sabernig**, Munster (AT)

(73) Assignee: **EGLO Leuchten GmbH**, Innsbruck (AT)

(**) Term: **14 Years**

(21) Appl. No.: **29/324,050**

(22) Filed: **Sep. 5, 2008**

(51) **LOC (9) Cl.** **26-03**

(52) **U.S. Cl.** **D26/83**

(58) **Field of Classification Search** D26/84-91,
D26/128-131; 362/147, 317, 351, 404-408
See application file for complete search history.

(56) **References Cited**

U.S. PATENT DOCUMENTS

D48,279 S *	12/1915	Guth	D26/83
D83,683 S *	3/1931	Kopp	D26/130
D217,086 S *	4/1970	Miller	D22/123
D239,729 S *	4/1976	Alabardo	D26/83
D267,900 S *	2/1983	Ishii	D26/83
D444,263 S *	6/2001	Dolan	D26/130
D444,908 S *	7/2001	Dolan	D26/130
D459,018 S *	6/2002	Dolan	D26/102
D459,831 S *	7/2002	Dolan	D26/118

OTHER PUBLICATIONS

Light Fixture models "Glimt", "Pabo" and "Cesium" shown on p. 336 of the 2007 IKEA Catalog, © Jun. 2006.*

All fixtures from the "Golden Mean" collection shown on p. 175 of the Framburg Catalog A2006; © 2006.*

Oggetti; Bimbi Three-Light Trapeze Suspension; printed from Modern Lighting Universe Catalog on Dec. 22, 2008.

Minka Group Catalog; Metropolitan Sconce; Model No. N6511-468; printed from Minka Lighting, Inc. USA on Dec. 22, 2008.

* cited by examiner

Primary Examiner—Clare E Heflin

(74) *Attorney, Agent, or Firm*—Baker & McKenzie LLP

(57) **CLAIM**

The ornamental design for a light fixture, as shown and described.

DESCRIPTION

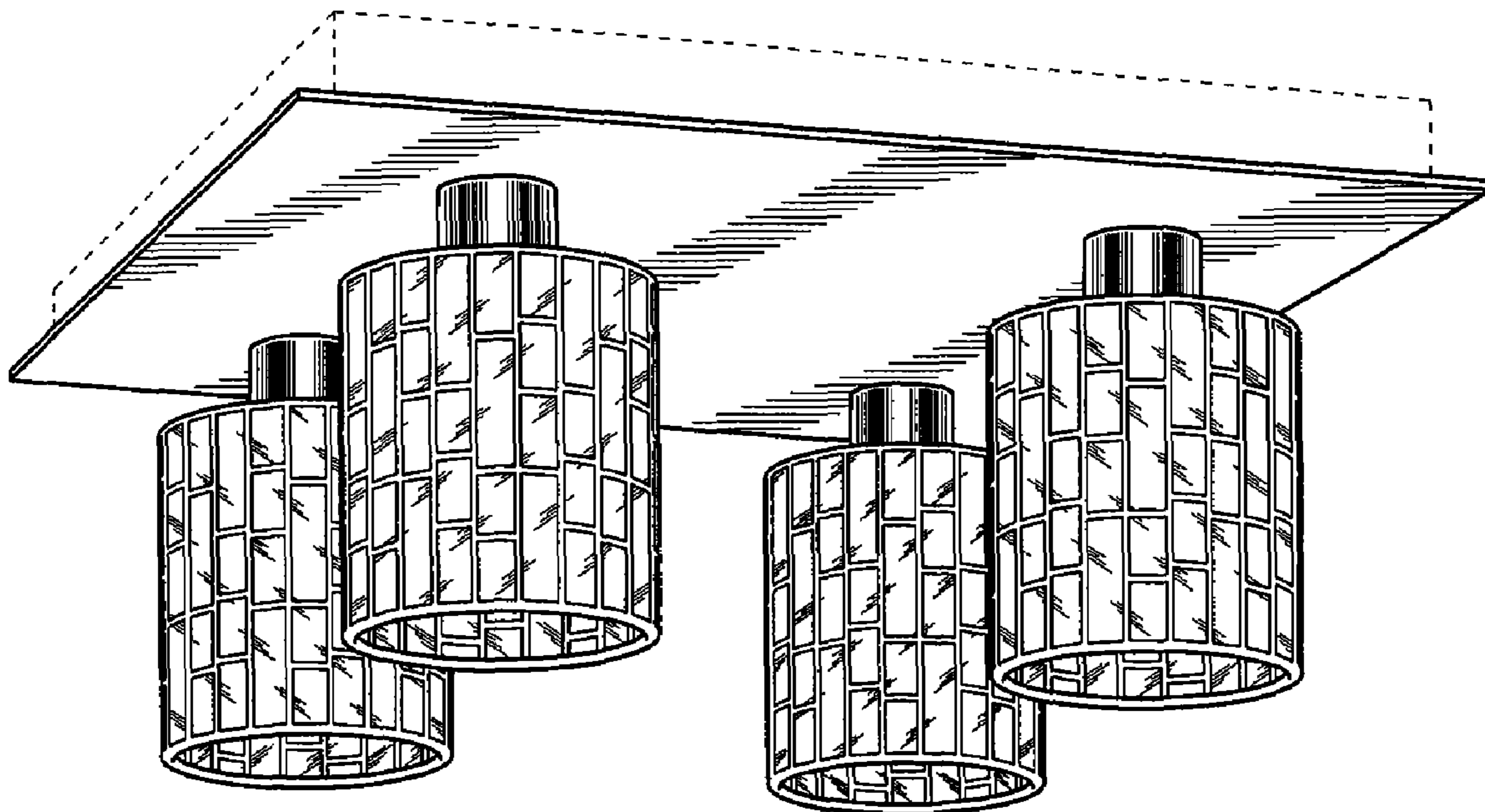
FIG. 1 is a bottom perspective view of a light fixture in accordance with my design;

FIG. 2 is a bottom plan view of the light fixture in accordance with my design; and,

FIG. 3 is a side elevation view of the light fixture in accordance with my design, the opposite side being a mirror image of that shown.

The broken lines showing environmental structure are for illustrative purposes only and form no part of the claimed design.

1 Claim, 1 Drawing Sheet



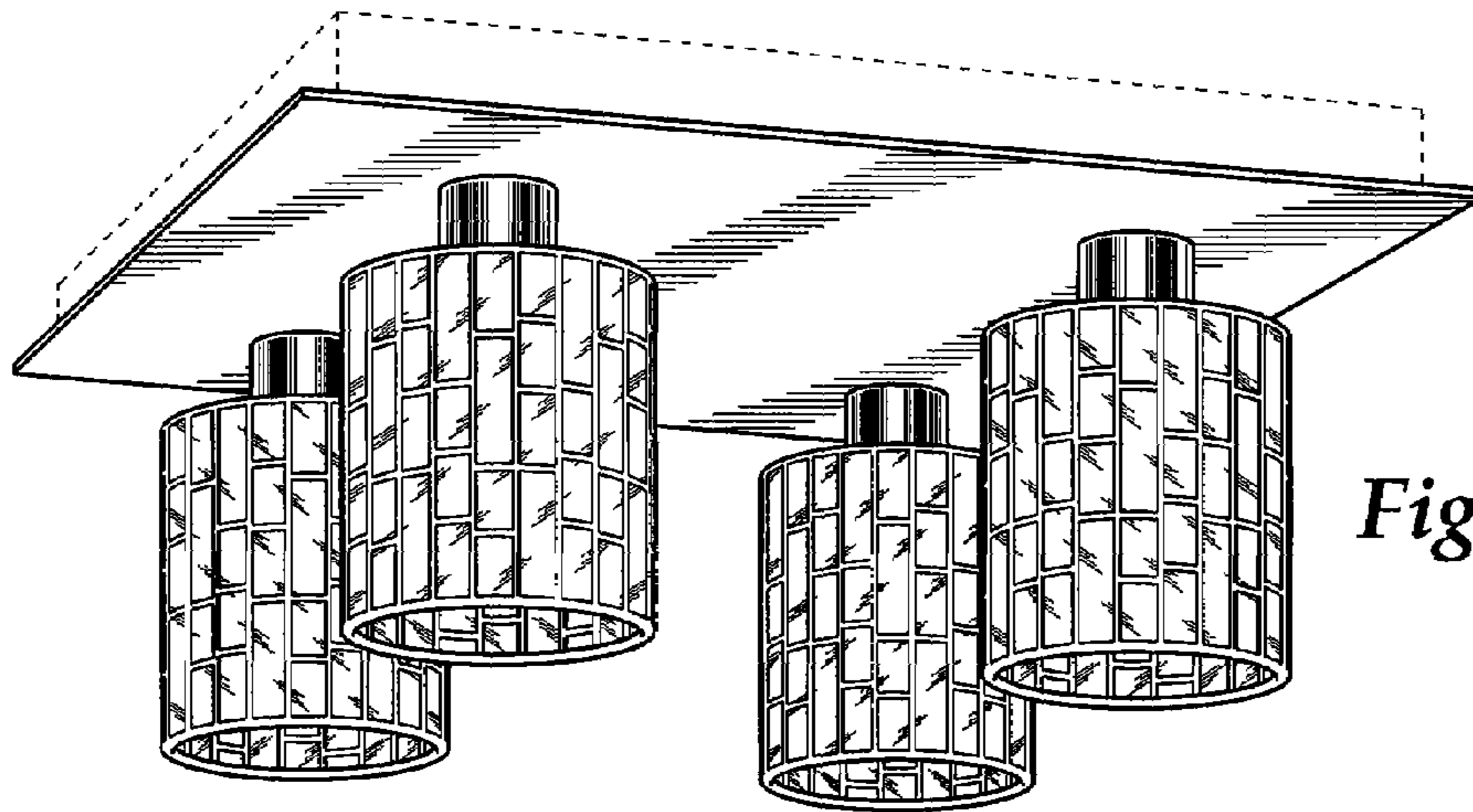


Fig.1

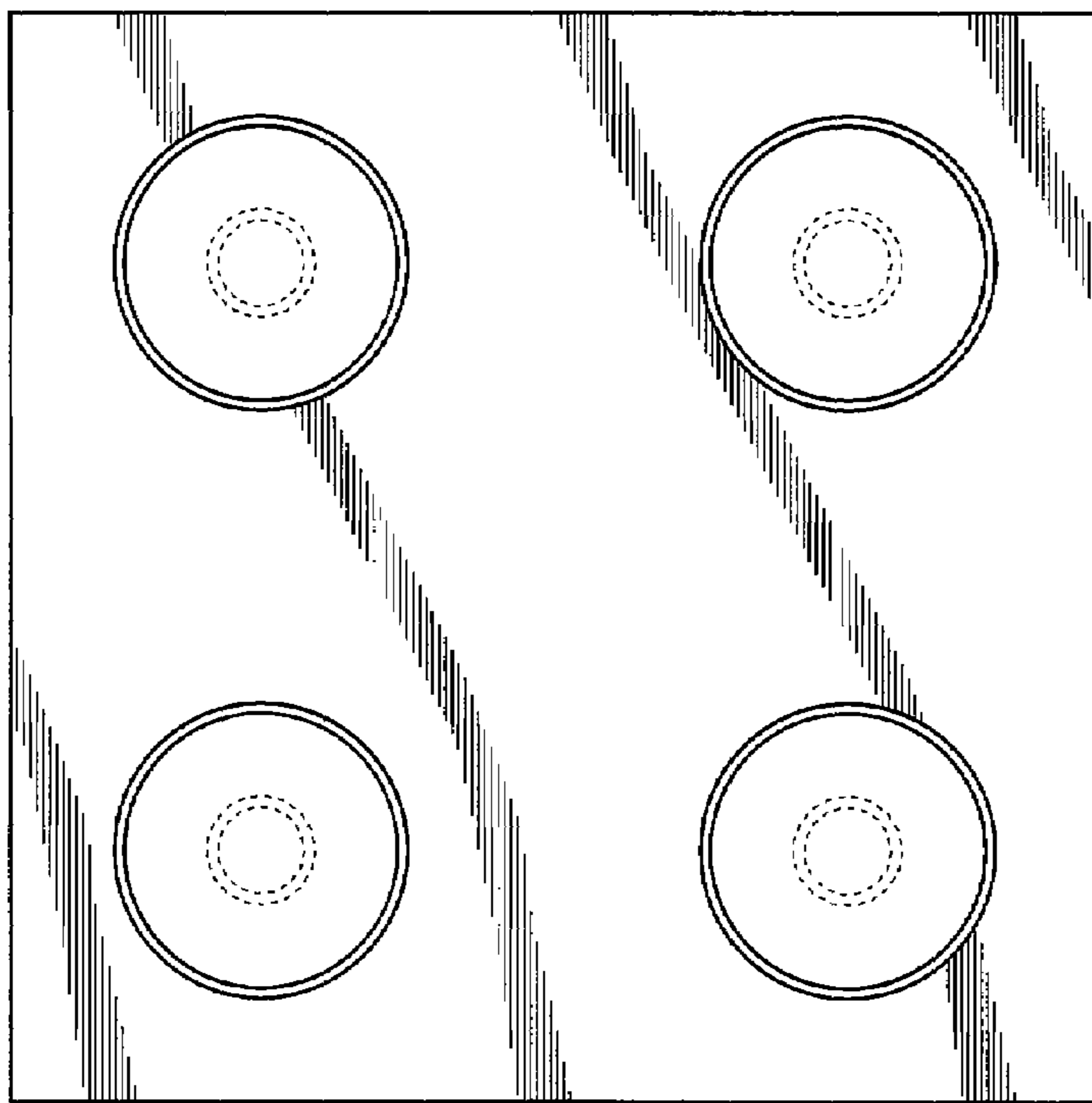


Fig.2

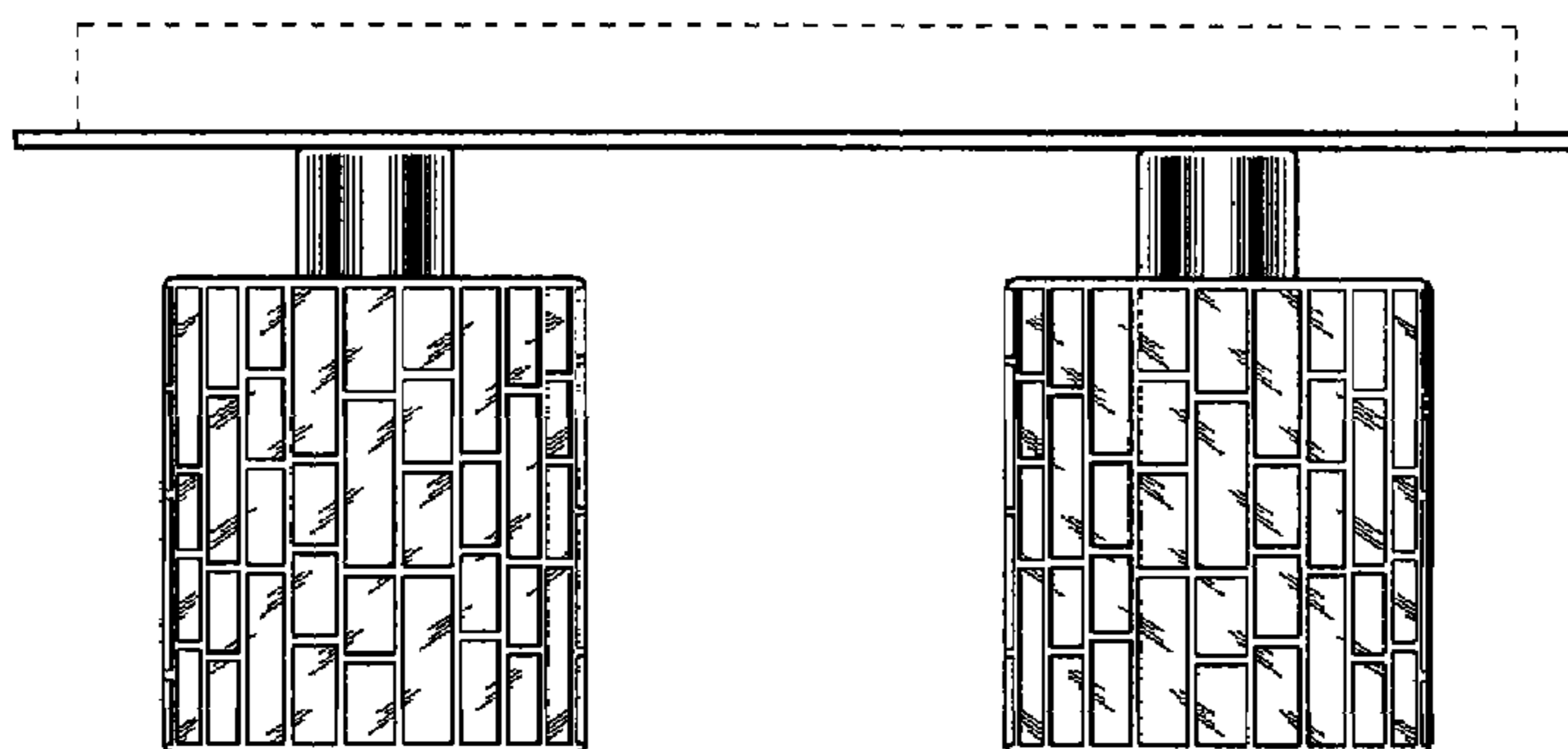


Fig.3