

US00D592785S

(12) **United States Design Patent**
Bisberg et al.

(10) **Patent No.:** **US D592,785 S**

(45) **Date of Patent:** **** May 19, 2009**

(54) **HIGH BAY LED LIGHT FIXTURE**

2002/0181229 A1* 12/2002 Wei 362/147

(75) Inventors: **Jeffrey Bisberg**, Boulder, CO (US);
Peter Van Laanen, Boulder, CO (US);
Neil Cannon, Boulder, CO (US); **Tracy Earles**, Boulder, CO (US); **Christopher Wilke**, Boulder, CO (US)

* cited by examiner

Primary Examiner—Robert M. Spear
Assistant Examiner—Susan E Krakower
(74) *Attorney, Agent, or Firm*—Lathrop & Gage LLP

(73) Assignee: **AlbEO Technologies, Inc.**, Boulder, CO (US)

(57) **CLAIM**

The ornamental design for a high bay LED light fixture, as shown and described.

(**) Term: **14 Years**

(21) Appl. No.: **29/318,524**

(22) Filed: **May 21, 2008**

(51) **LOC (9) Cl.** **26-03**

(52) **U.S. Cl.** **D26/76**

(58) **Field of Classification Search** D26/24–28,
D26/37, 67, 72, 74–78, 80, 85, 89, 104, 108,
D26/118, 120–122; 362/132, 145, 147–150,
362/157, 217–225, 228, 260, 262–264, 267,
362/310, 345, 364, 365, 368, 432, 440

See application file for complete search history.

DESCRIPTION

FIG. 1 is a perspective view of a first embodiment of the high bay LED light fixture;

FIG. 2 is a plan view of one end of the high bay LED light fixture of FIG. 1, enlarged relative to the view shown in FIG. 1, an opposing end of the high bay LED light fixture being identical;

FIG. 3 is a plan view of one side of the high bay LED light fixture of FIG. 1, showing the new design, an opposing side of the high bay LED light fixture being a mirror image thereof;

FIG. 4 is a top plan view of the high bay LED light fixture of FIG. 1;

FIG. 5 is a bottom plan view of the high bay LED light fixture of FIG. 1;

FIG. 6 is a perspective view of a second embodiment of the high bay LED light fixture; and,

FIG. 7 is a plan view of one end of the high bay LED light fixture of FIG. 6, enlarged relative to the view shown in FIG. 6, an opposing end of the high bay LED light fixture being identical.

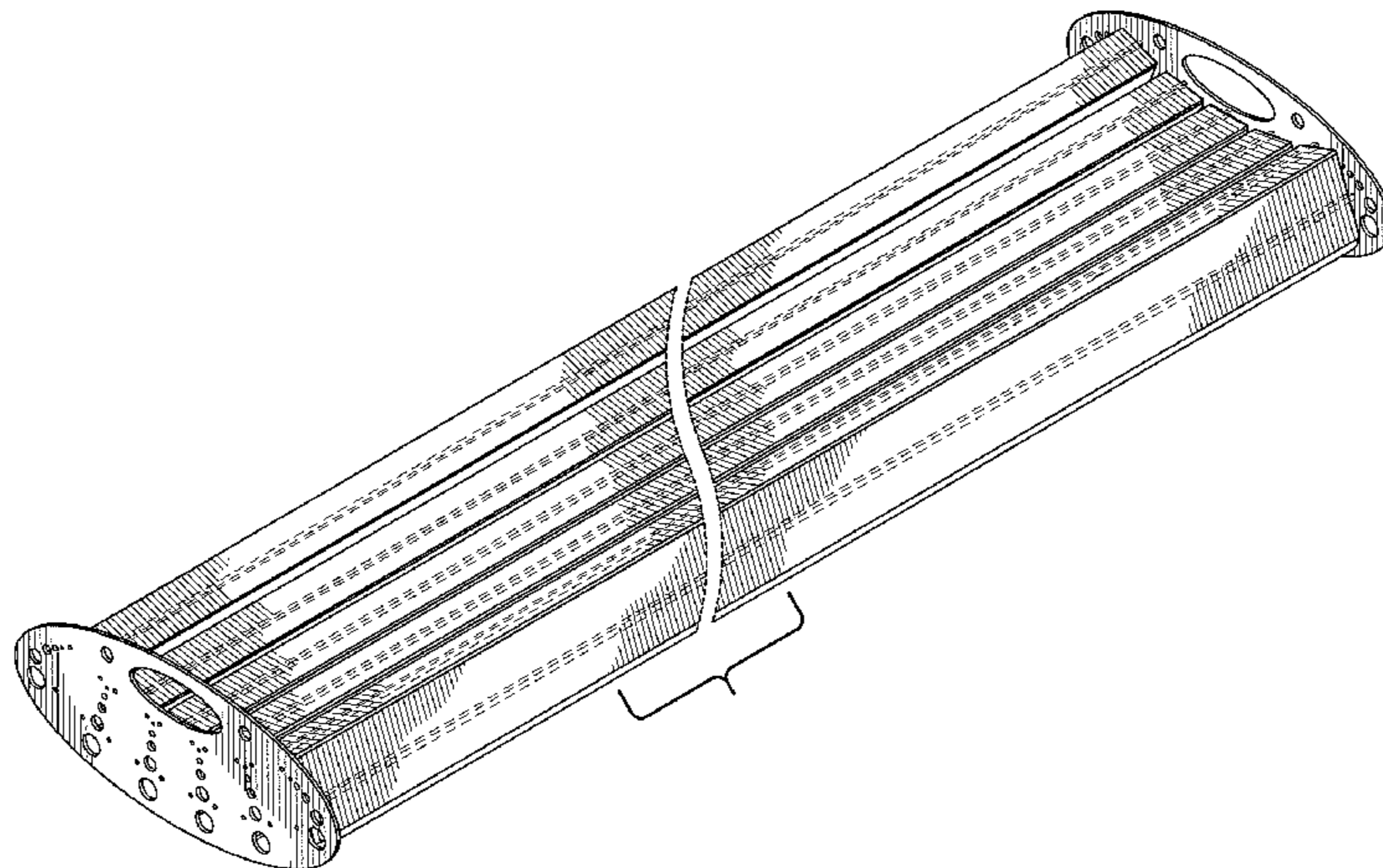
In FIGS. 1, 3, 4, 5 and 6, the breaks and accompanying bracket indicate that the fixture has no specific length, and dashed lines indicate environmental structure that forms no part of the claimed design. Side, top and bottom plan views of the high bay LED light fixture of FIG. 6 and FIG. 7 are identical to the side, top and bottom plan views (FIG. 3, FIG. 4 and FIG. 5 respectively) of the high bay LED light fixture of FIG. 1.

(56) **References Cited**

U.S. PATENT DOCUMENTS

D123,887 S *	12/1940	Koehler	D26/24
D127,398 S *	5/1941	Jordan	D26/76
D150,735 S *	8/1948	Schwartz et al.	D26/78
D151,575 S *	10/1948	Winkler et al.	D26/77
2,606,998 A *	8/1952	Wyman et al.	362/220
D173,255 S *	10/1954	Brooks et al.	D26/67
2,715,449 A *	8/1955	Smith et al.	181/30
D188,436 S *	7/1960	Budke et al.	D26/77
D208,491 S *	9/1967	Brooks	D26/71
D291,598 S *	8/1987	Elkerbout	D24/210
4,726,781 A *	2/1988	Bernhart et al.	439/228
6,076,943 A *	6/2000	Lassovsky	362/283
D472,007 S *	3/2003	Weitgasser	D26/76
D492,809 S *	7/2004	Weitgasser	D26/76
D521,172 S *	5/2006	Chen	D26/76
RE40,158 E *	3/2008	Weitgasser	D26/76
7,438,432 B2 *	10/2008	Yaphe et al.	362/147

1 Claim, 7 Drawing Sheets



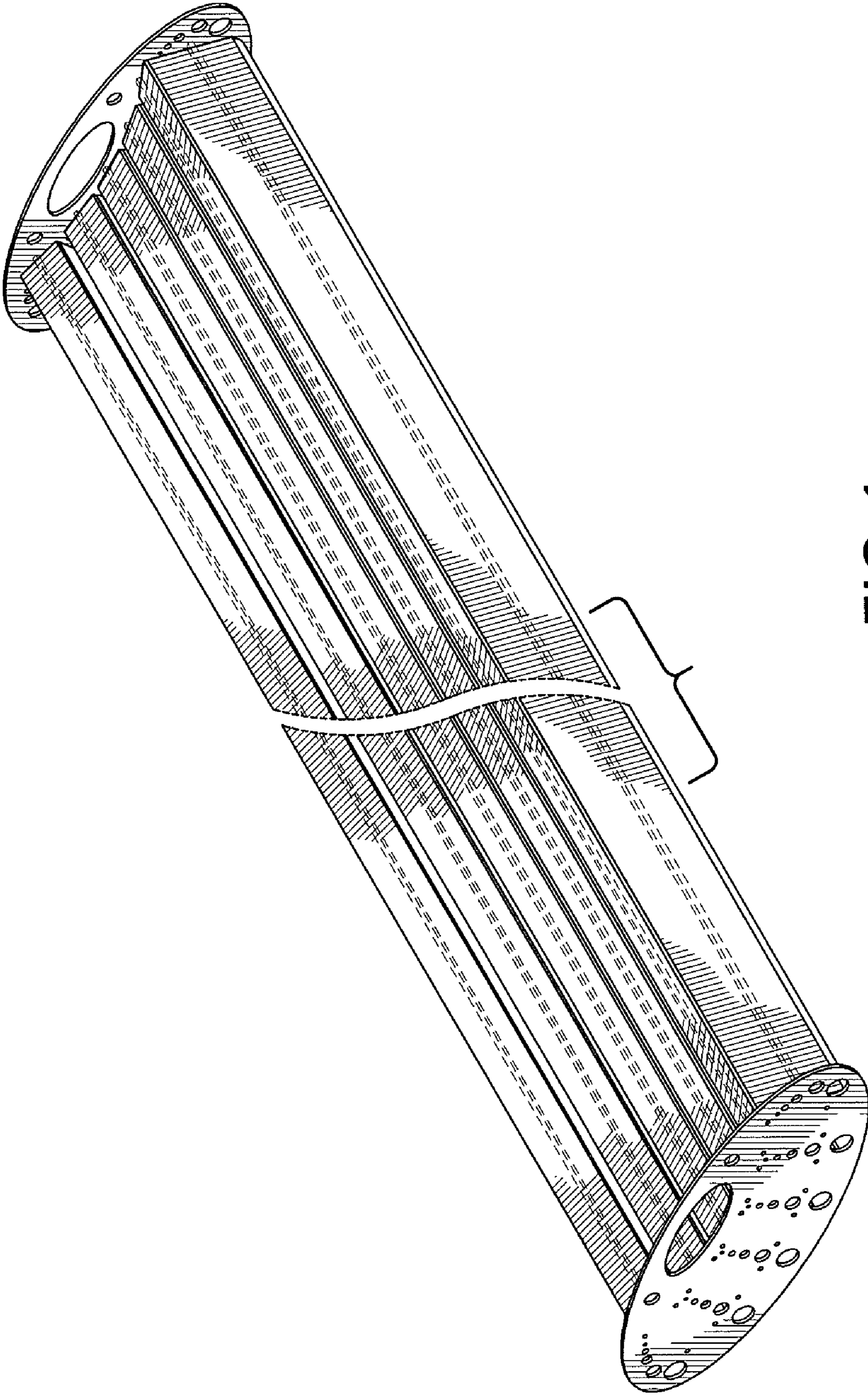


FIG. 1

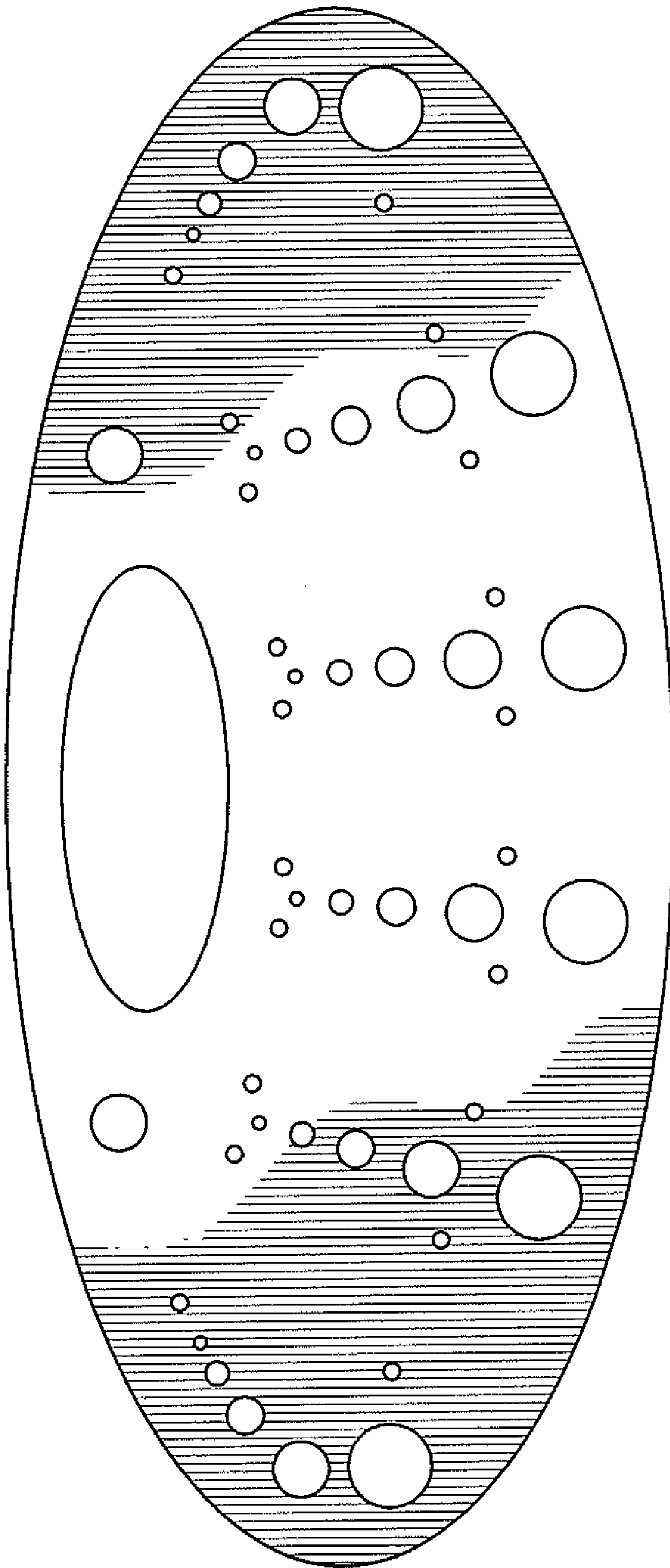


FIG. 2

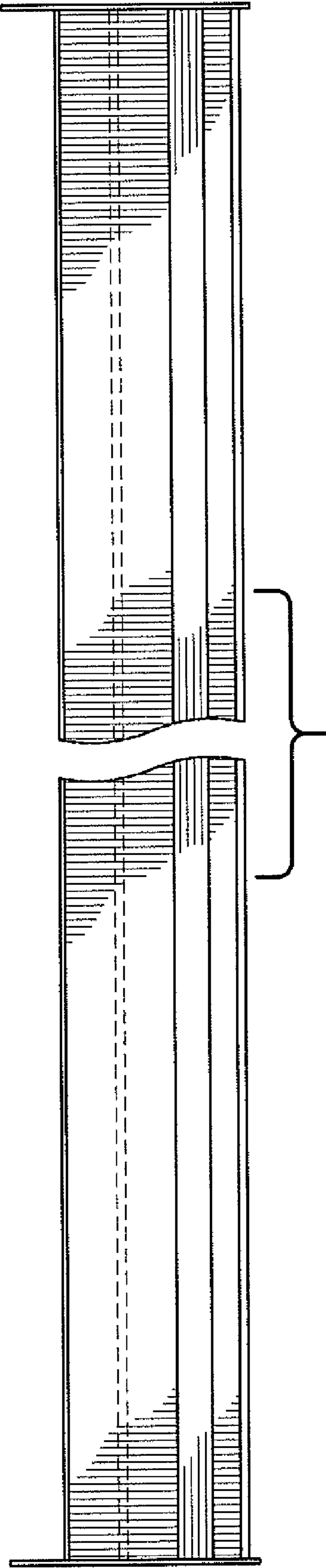


FIG. 3

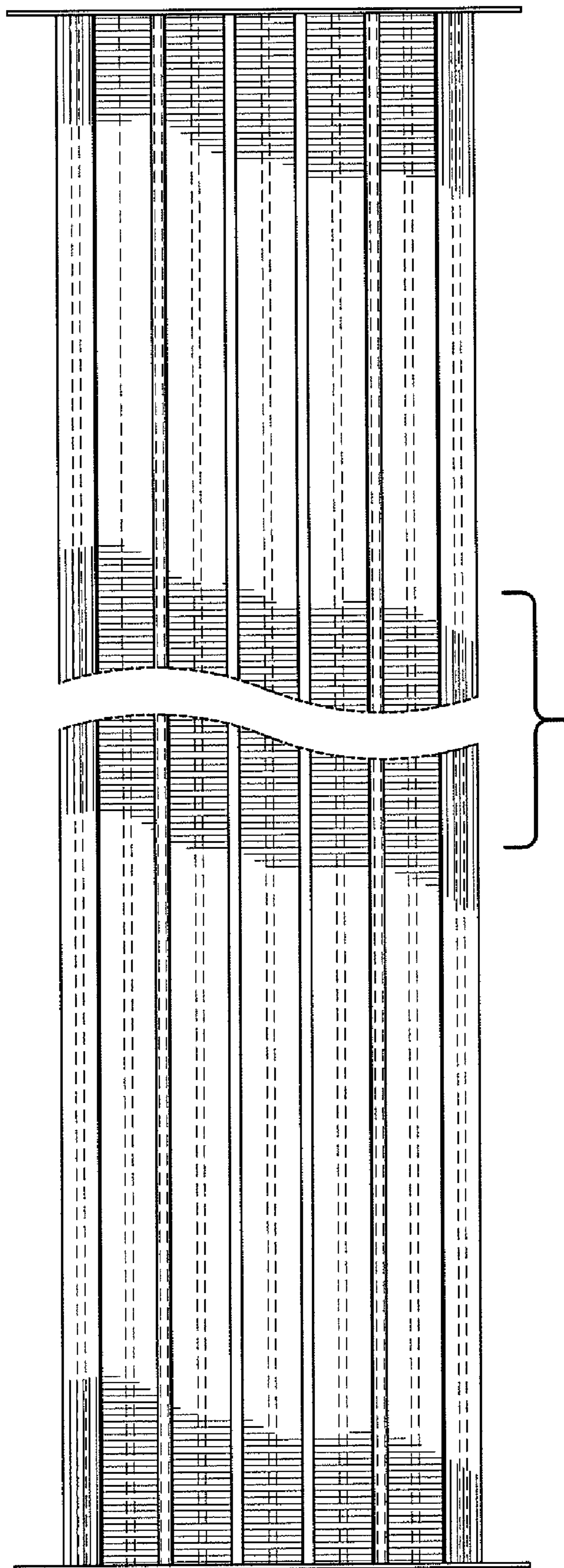


FIG.4

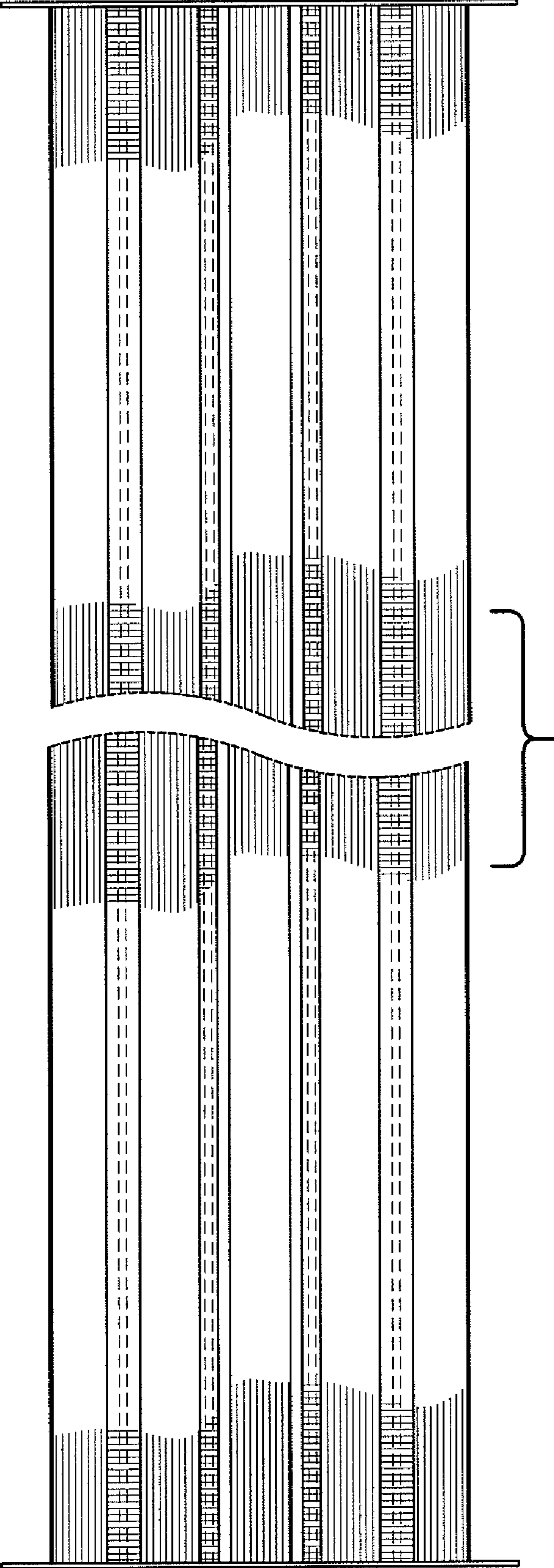


FIG. 5

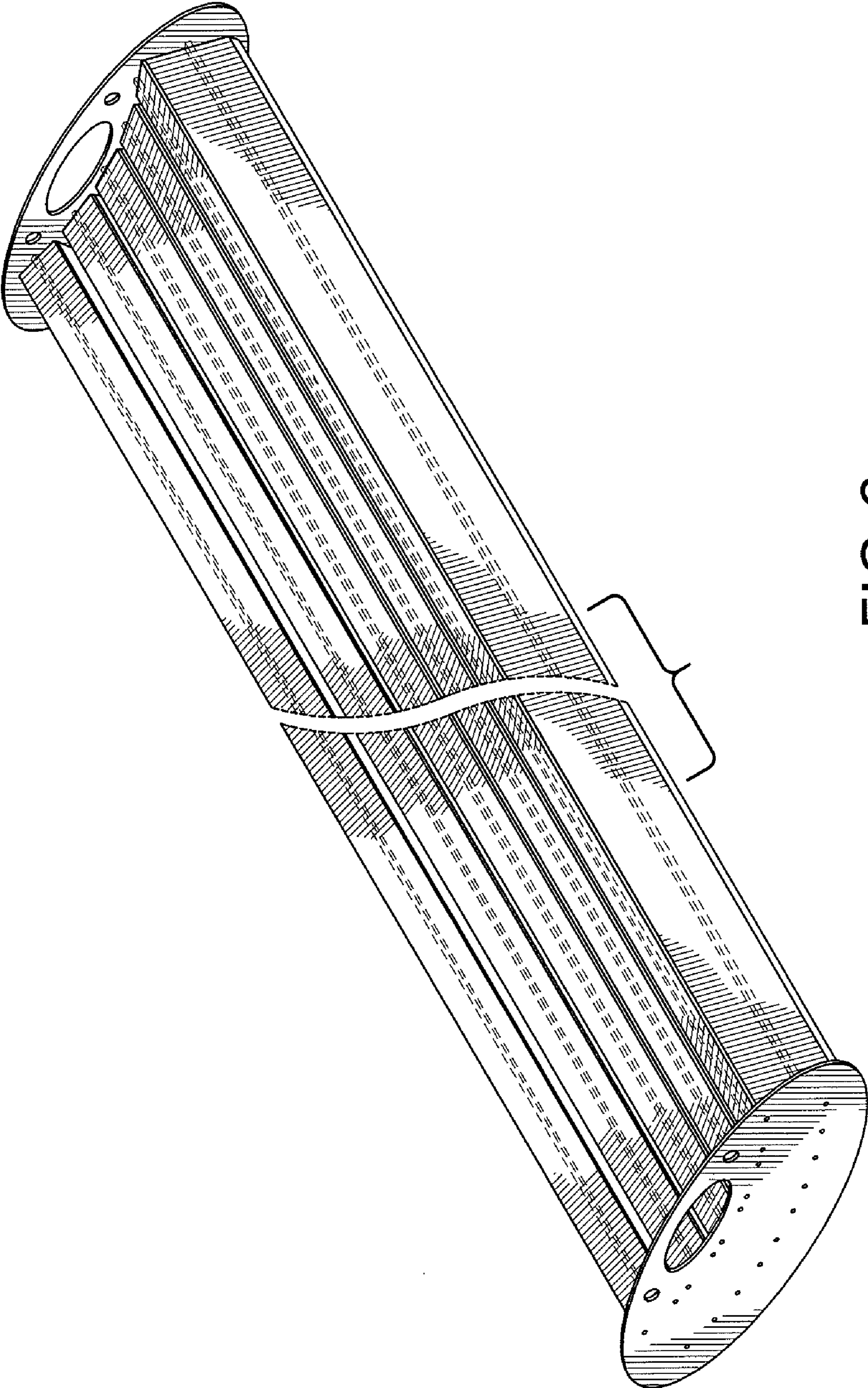


FIG. 6

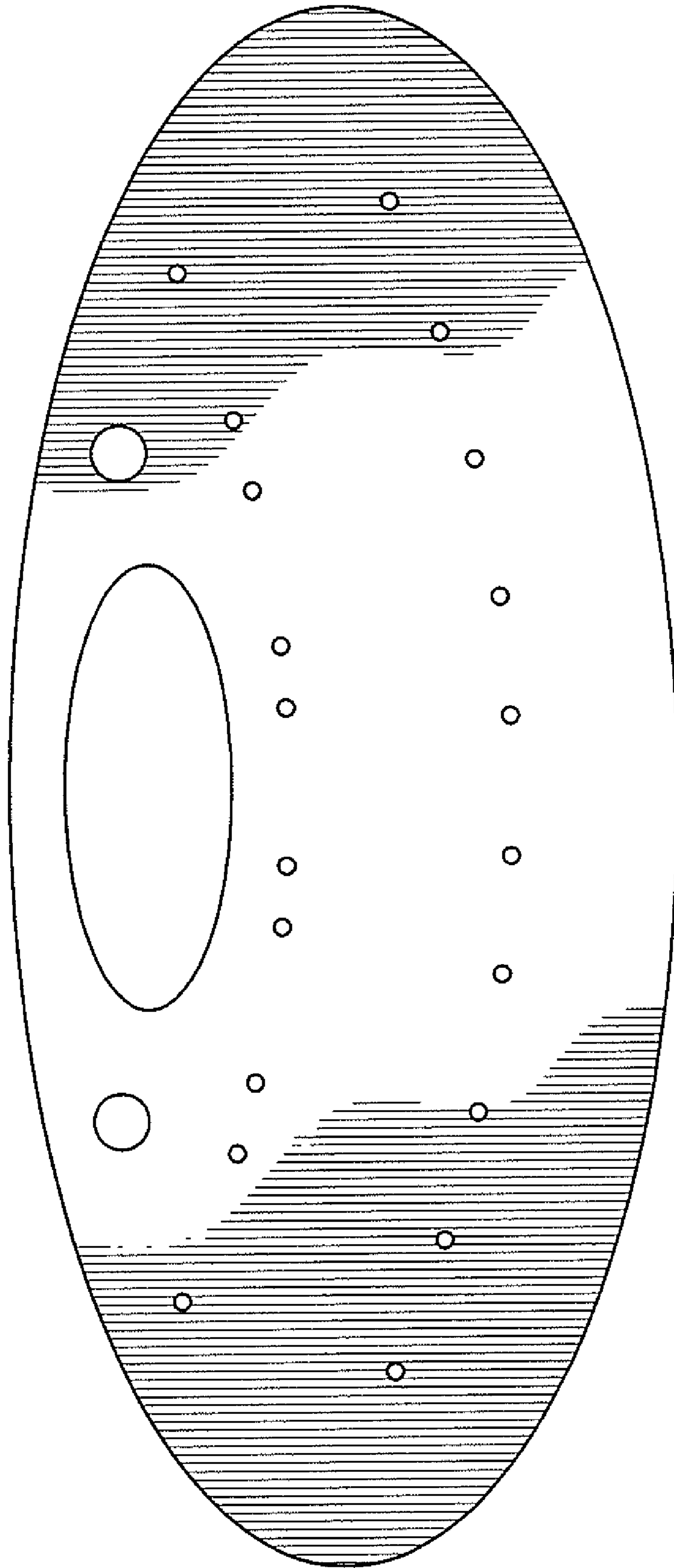


FIG. 7