

US00D592776S

(12) **United States Design Patent**
George et al.

(10) **Patent No.:** **US D592,776 S**
(45) **Date of Patent:** **** May 19, 2009**

(54) **VEHICLE LAMP**

D561,359 S * 2/2008 Hsu D26/28

(75) Inventors: **Kevin George**, Canton, MI (US);
Richard Woolley, Westwood Heath
(GB); **Kyle G. Evans**, Dearborn, MI
(US)

* cited by examiner

Primary Examiner—Marcus A. Jackson
(74) *Attorney, Agent, or Firm*—Damian Porcari

(73) Assignee: **Ford Motor Company**, Dearborn, MI
(US)

(57) **CLAIM**

The ornamental design for a vehicle lamp, as shown and described.

(**) Term: **14 Years**

(21) Appl. No.: **29/328,215**

(22) Filed: **Nov. 20, 2008**

(51) **LOC (9) Cl.** **26-06**

(52) **U.S. Cl.** **D26/28**

(58) **Field of Classification Search** D26/28-36;
362/459-468, 475-478, 485-487

See application file for complete search history.

DESCRIPTION

FIG. 1 is a front view of a left vehicle lamp, as seen from the front of a vehicle (the right vehicle lamp being a mirror and is not illustrated);

FIG. 2 is top plan view of the vehicle lamp;

FIG. 3 is a bottom plan view of the vehicle lamp;

FIG. 4 is a left side elevational view of the vehicle lamp;

FIG. 5 is a right side elevational view of the vehicle lamp; and,

FIG. 6 is a rear elevational view of the vehicle lamp.

Views are orthogonal projections unless otherwise noted. The functional features are not claimed.

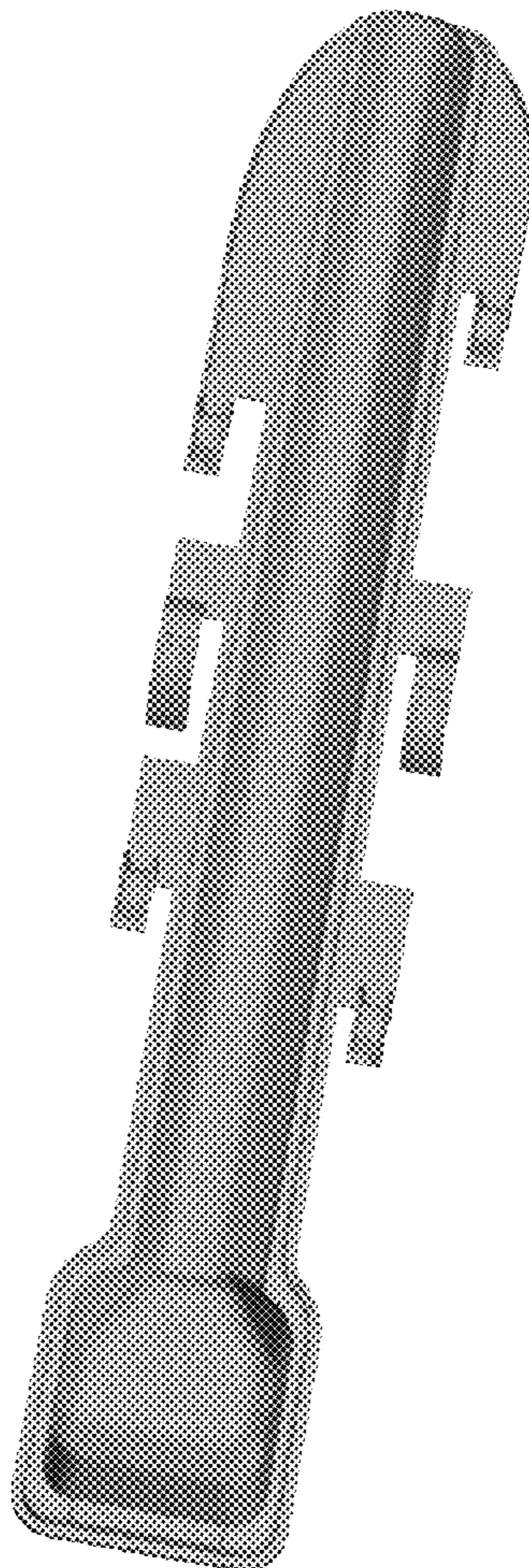
(56) **References Cited**

U.S. PATENT DOCUMENTS

D560,291 S * 1/2008 Koyama D26/28

D561,358 S * 2/2008 Tachibana D26/28

1 Claim, 5 Drawing Sheets



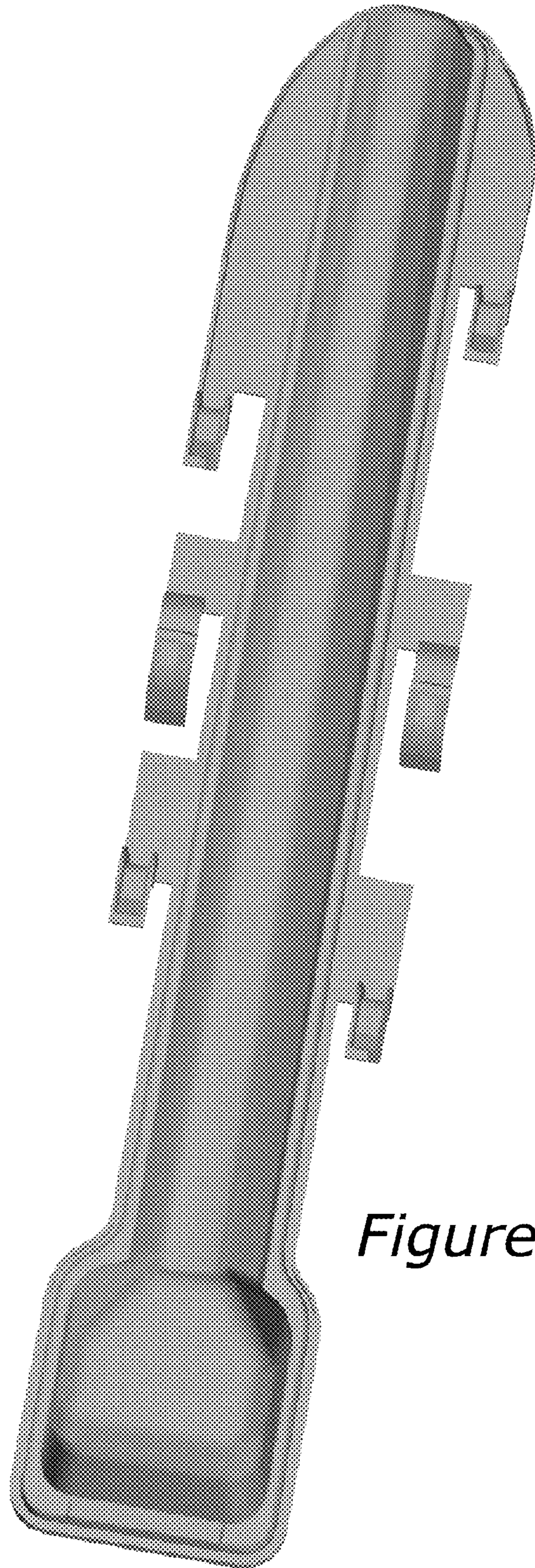


Figure 1

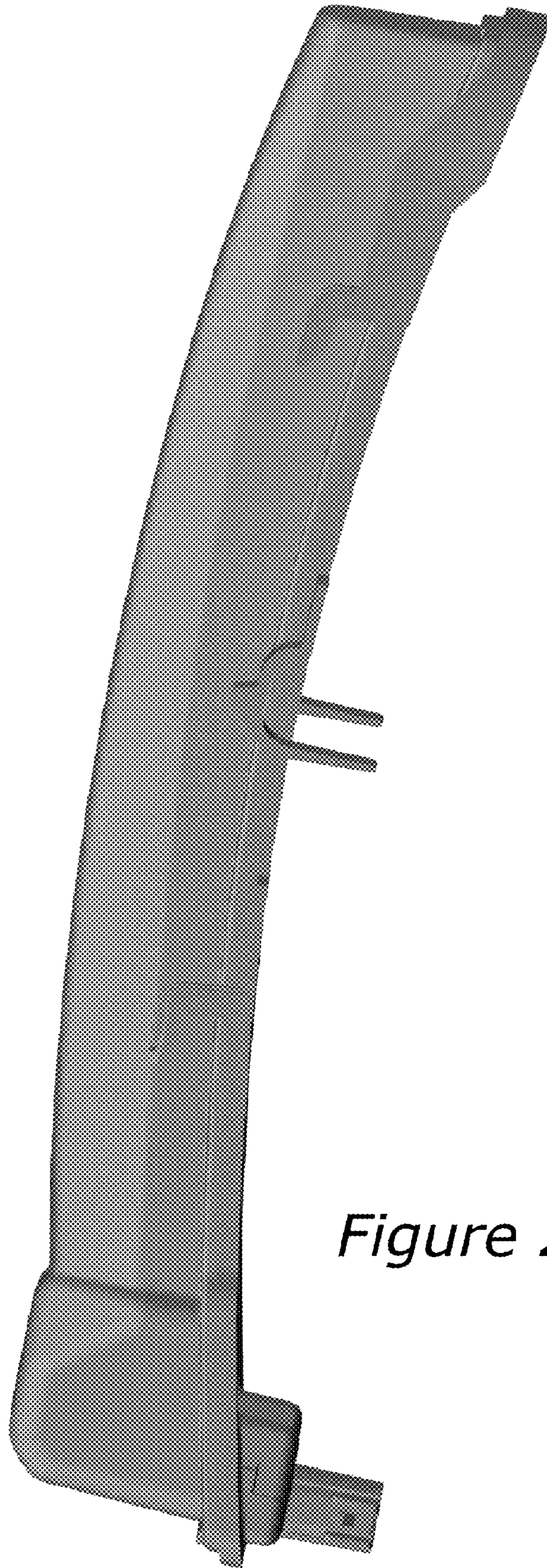


Figure 2

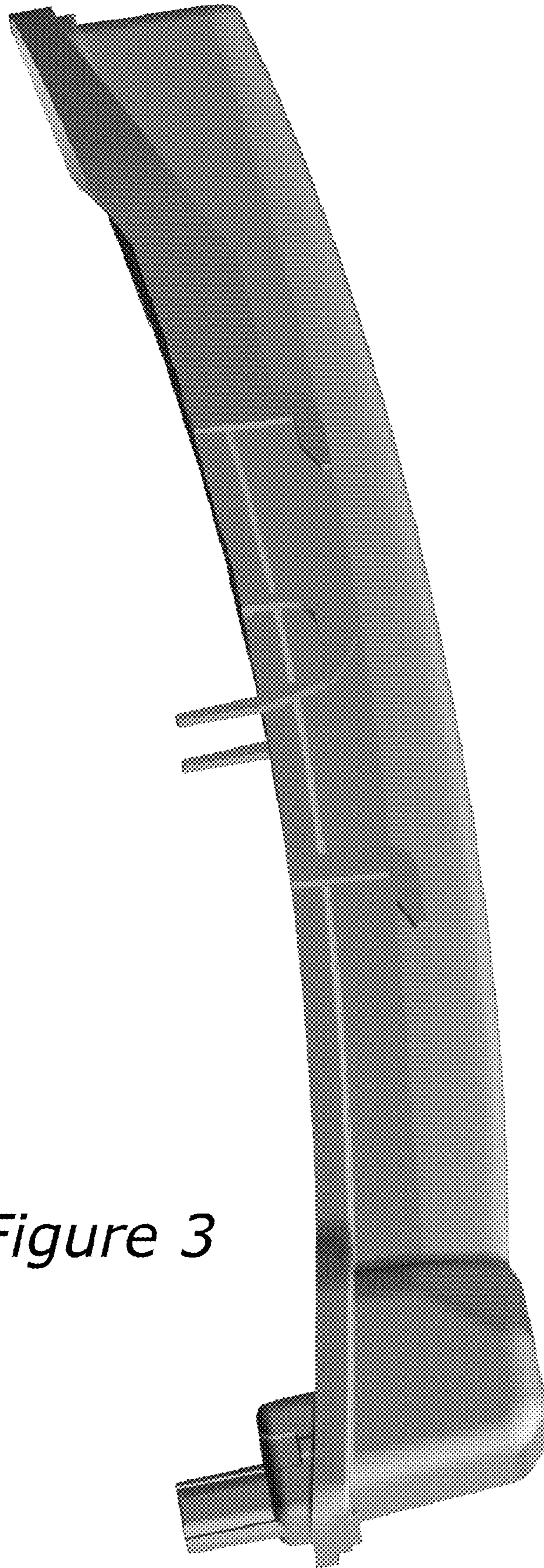


Figure 3

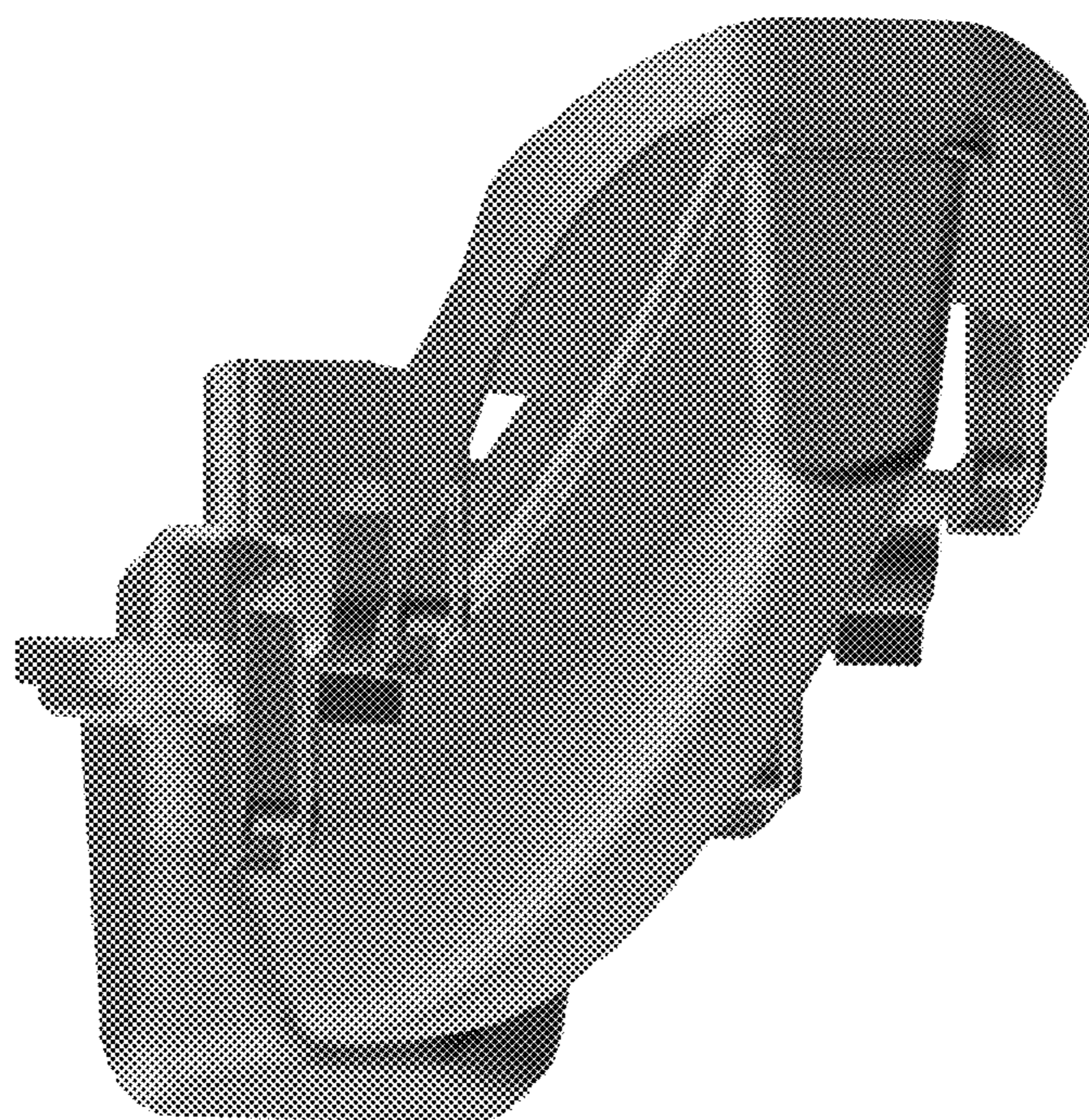


Figure 4

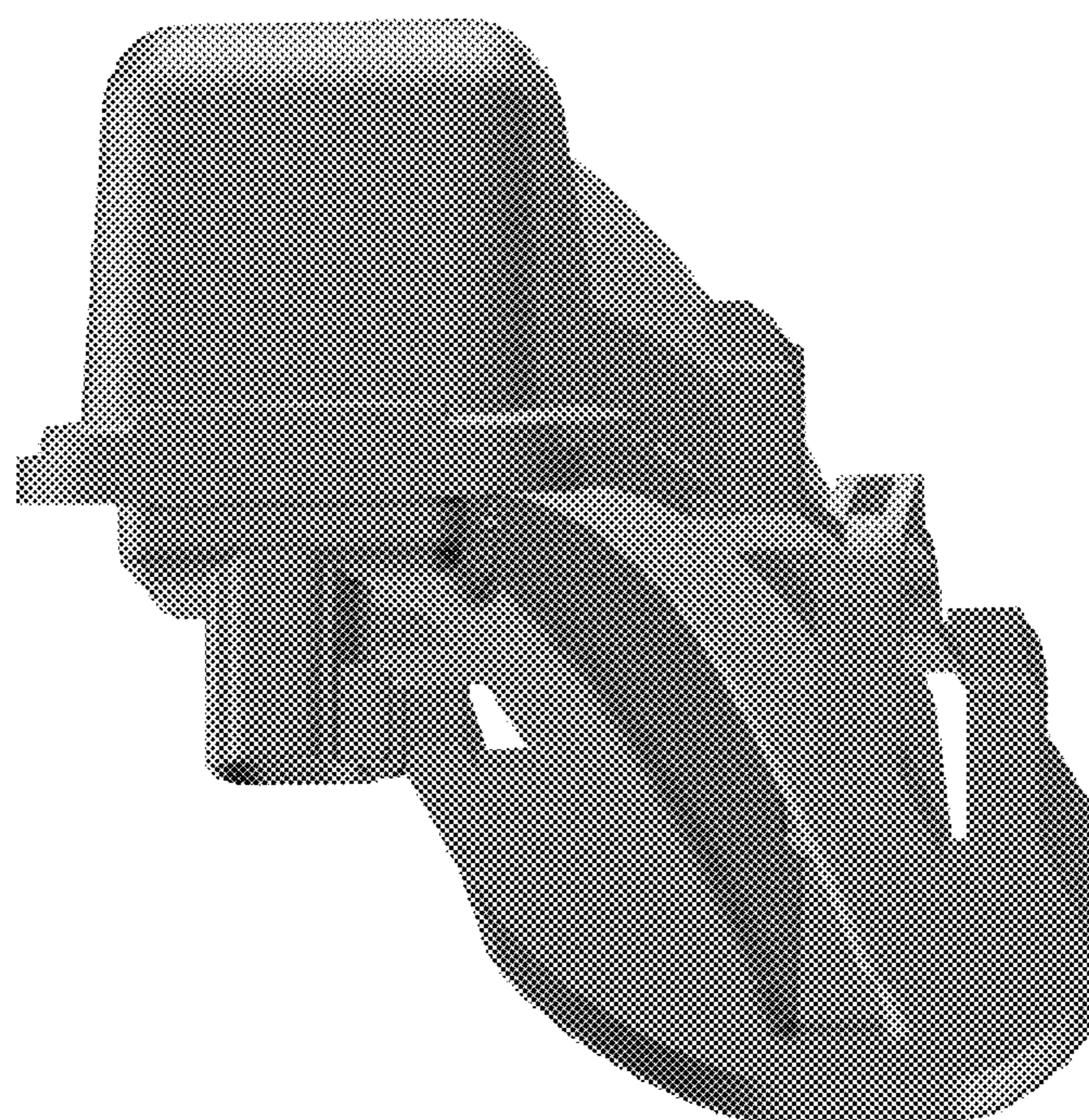


Figure 5

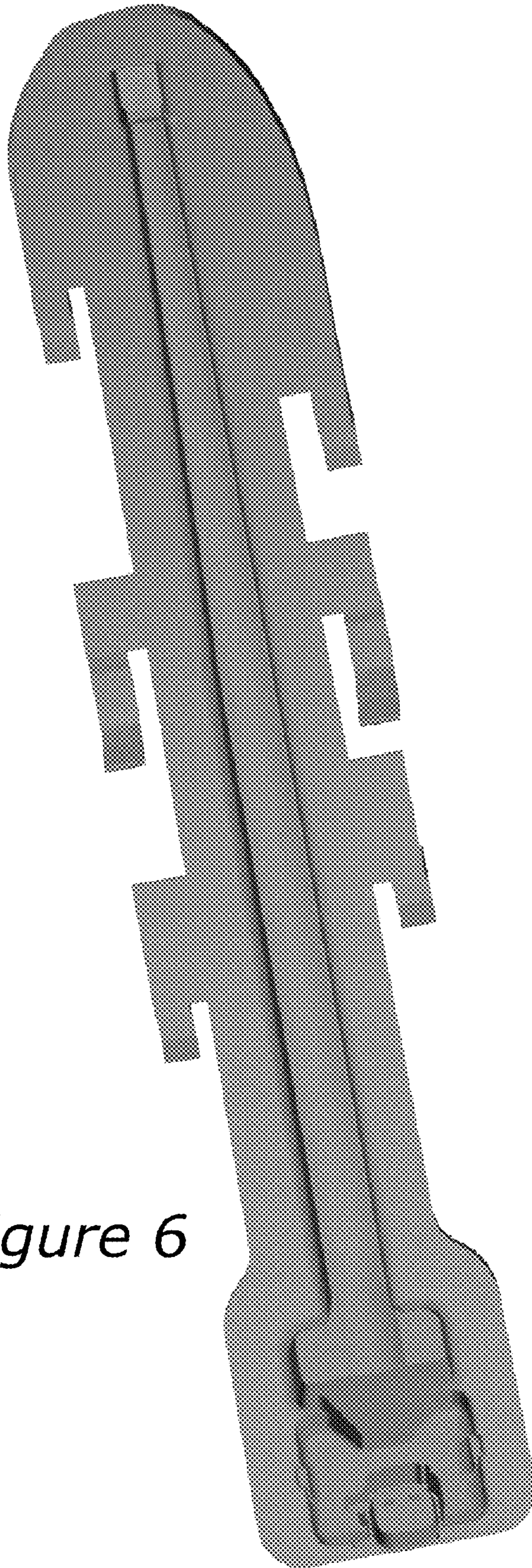


Figure 6