



US00D592775S

(12) **United States Design Patent**  
**George et al.**

(10) **Patent No.:** **US D592,775 S**

(45) **Date of Patent:** **\*\* May 19, 2009**

(54) **VEHICLE TAILLIGHT**

D553,268 S \* 10/2007 Pfeiffer ..... D26/28  
D553,269 S \* 10/2007 Pfeiffer et al. .... D26/28

(75) Inventors: **Kevin George**, Canton, MI (US);  
**Richard Woolley**, Westwood Heath  
(GB); **Kyle G. Evans**, Dearborn, MI  
(US)

\* cited by examiner

*Primary Examiner*—Marcus A. Jackson  
(74) *Attorney, Agent, or Firm*—Damian Porcari

(73) Assignee: **Ford Motor Company**, Dearborn, MI  
(US)

(57) **CLAIM**

(\*\*) Term: **14 Years**

The ornamental design for a vehicle taillight, as shown and described.

(21) Appl. No.: **29/328,210**

**DESCRIPTION**

(22) Filed: **Nov. 20, 2008**

FIG. 1 is a front view of a left vehicle taillight, as seen from the rear of a vehicle (the right vehicle taillight being a mirror and is not illustrated);

(51) **LOC (9) Cl.** ..... **26-06**

(52) **U.S. Cl.** ..... **D26/28**

(58) **Field of Classification Search** ..... D26/28-36;  
362/459-468, 475-478, 485-487

FIG. 2 is a left side elevational view of the vehicle taillight;  
FIG. 3 is a right side elevational view of the vehicle taillight;  
FIG. 4 is top plan view of the vehicle taillight;  
FIG. 5 is a bottom plan view of the vehicle taillight; and,  
FIG. 6 is a rear elevational view of the vehicle taillight.

See application file for complete search history.

(56) **References Cited**

**U.S. PATENT DOCUMENTS**

D549,363 S \* 8/2007 Pfeiffer ..... D26/28

**1 Claim, 5 Drawing Sheets**

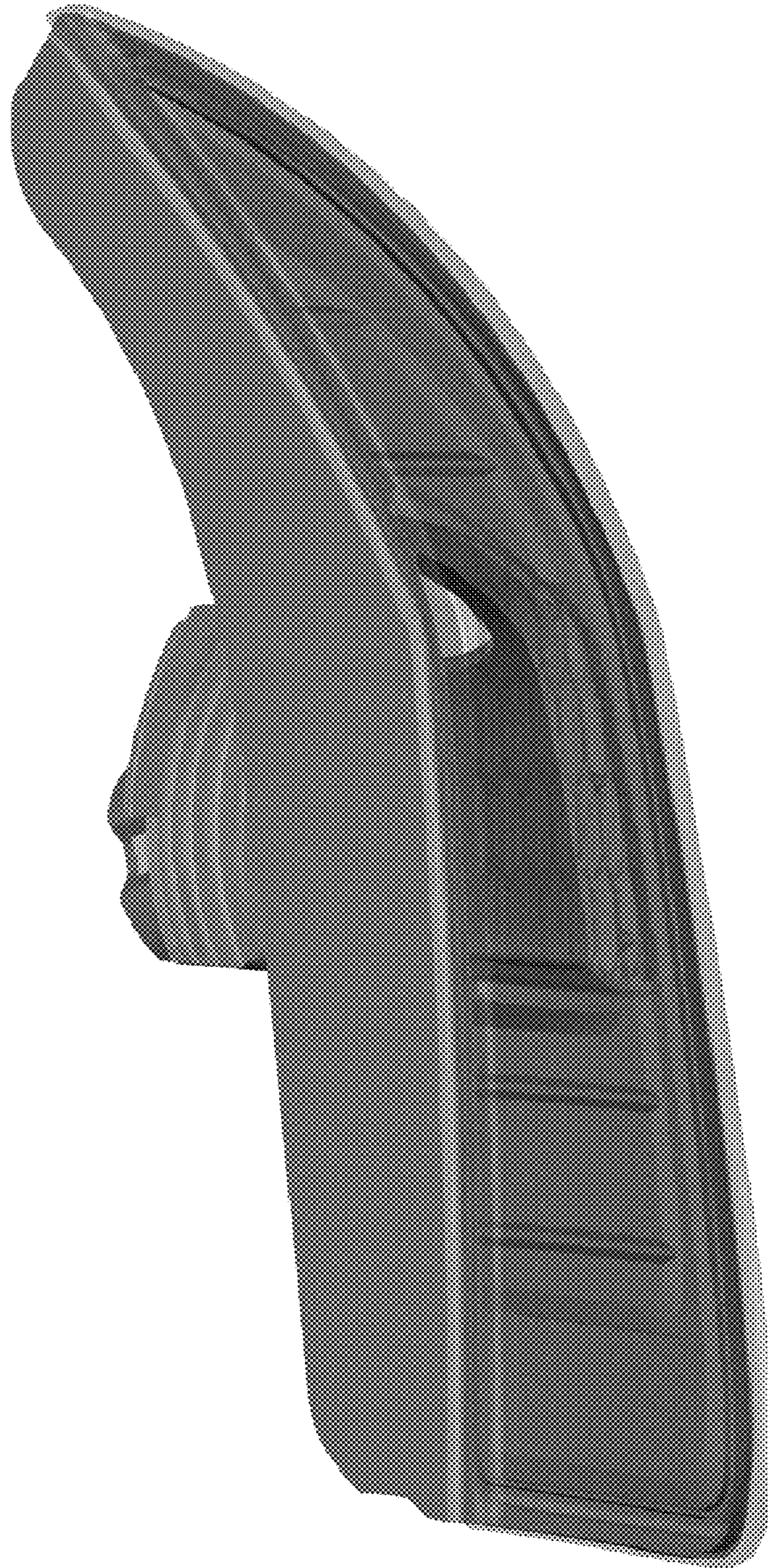






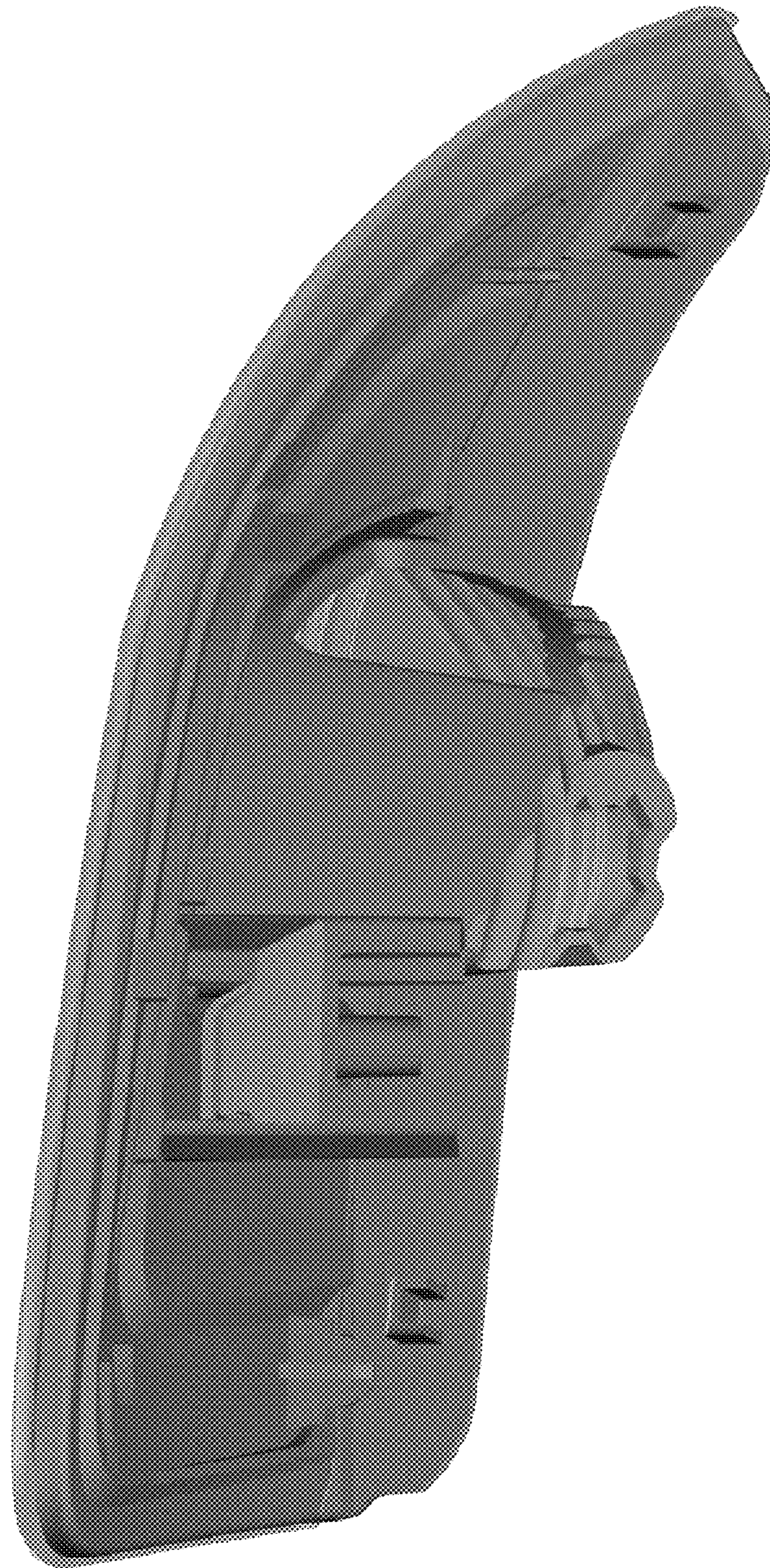
*Figure 1*





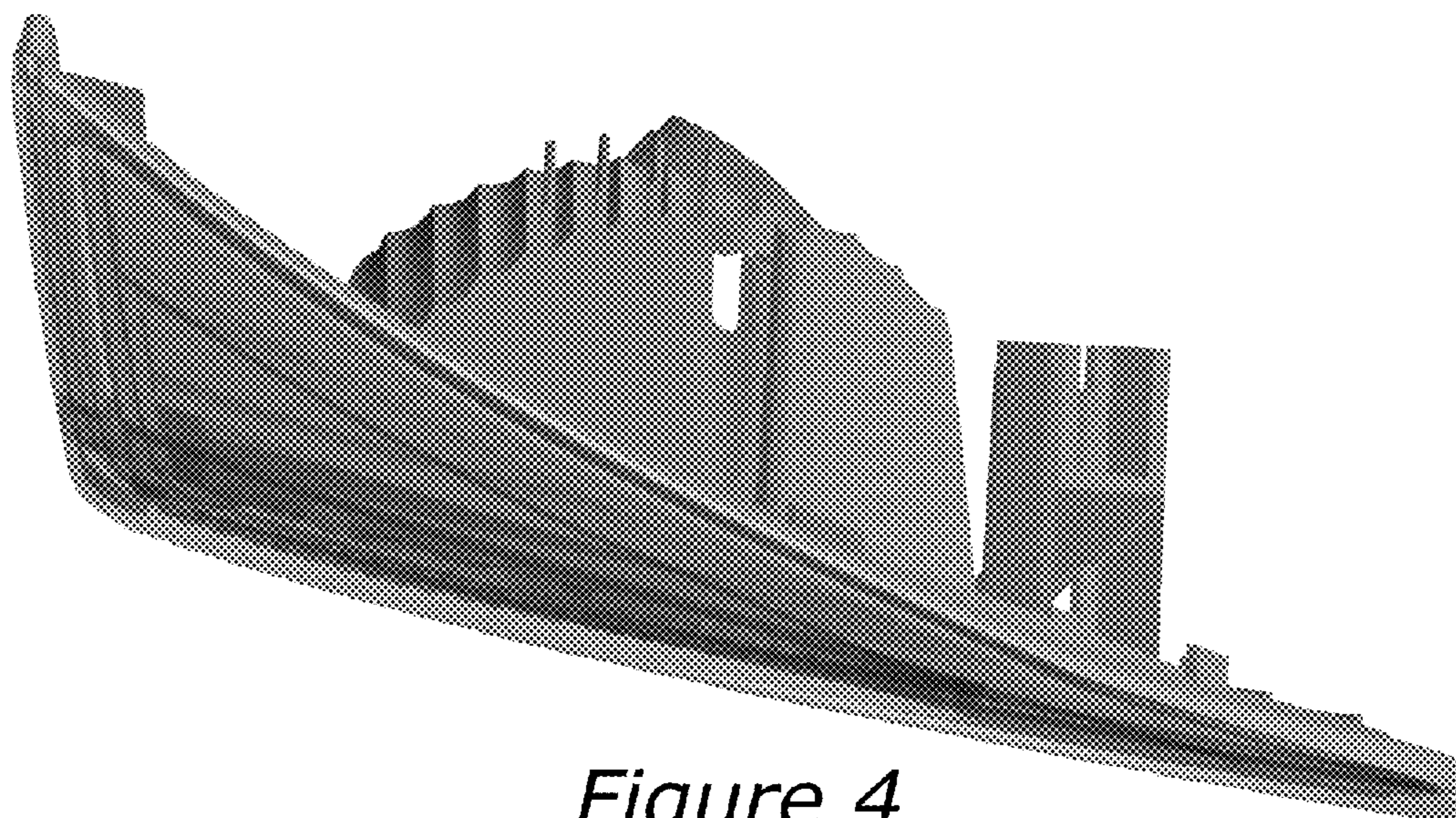
*Figure 2*



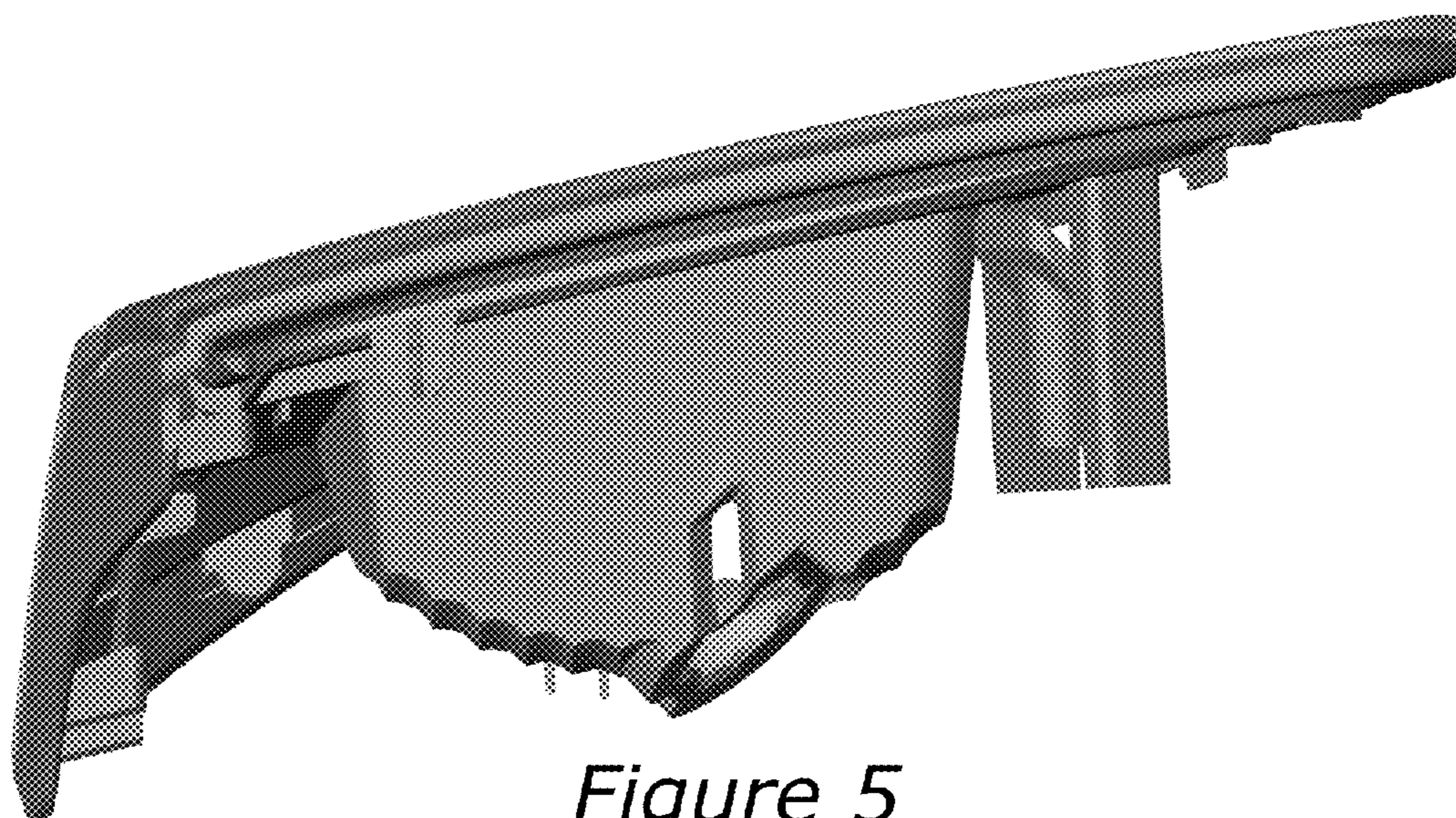


*Figure 3*



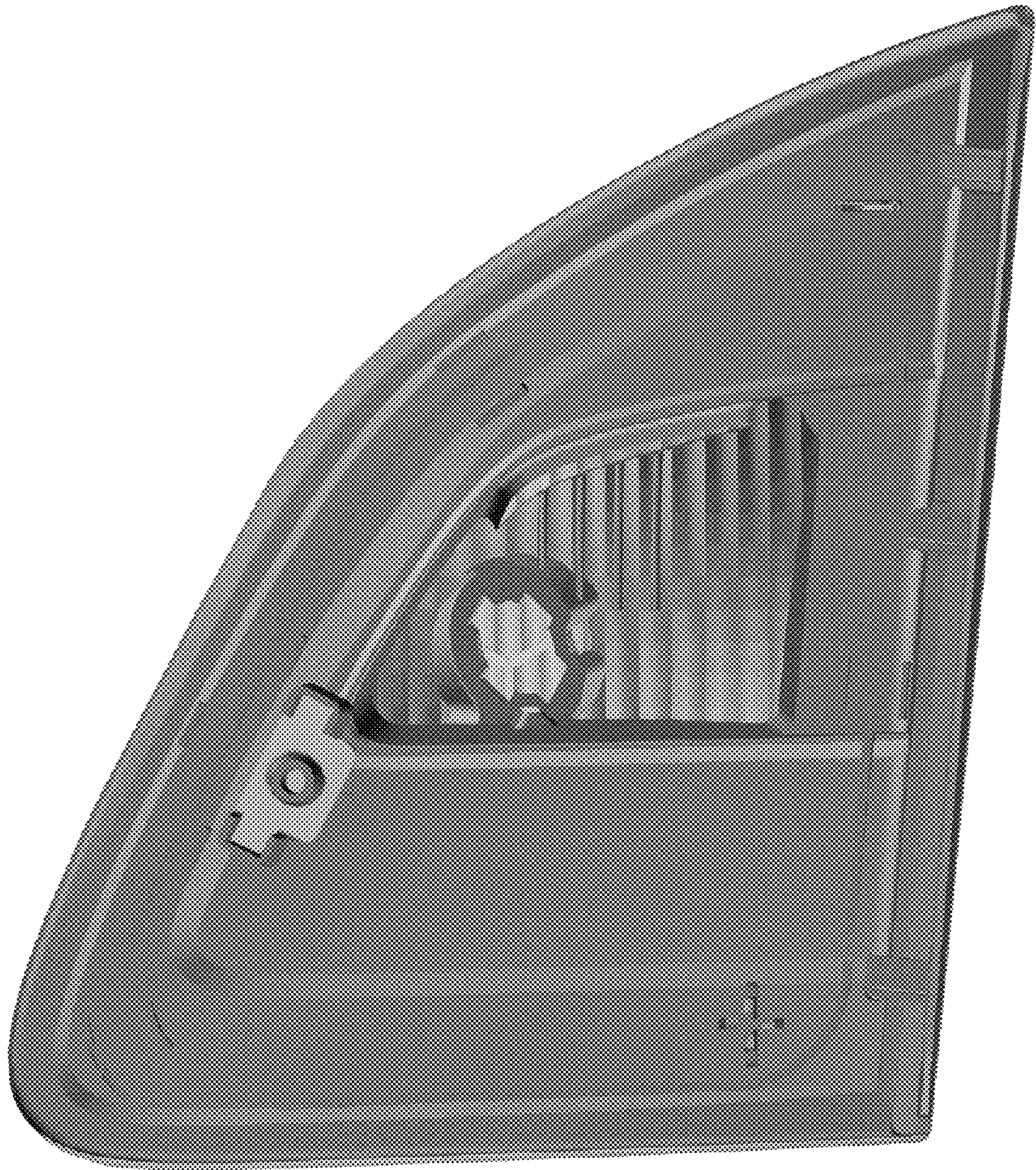


*Figure 4*



*Figure 5*





*Figure 6*