



US00D592771S

(12) **United States Design Patent**  
**Nakajima**

(10) **Patent No.:** **US D592,771 S**  
(45) **Date of Patent:** **\*\* May 19, 2009**

(54) **REAR COMBINATION LAMP FOR AN AUTOMOBILE**

(75) Inventor: **Yoshiharu Nakajima**, Aichi-ken (JP)

(73) Assignee: **Toyota Jidosha Kabushiki Kaisha** (JP)

(\*\*) Term: **14 Years**

(21) Appl. No.: **29/326,538**

(22) Filed: **Oct. 20, 2008**

(51) **LOC (9) Cl.** ..... **26-06**

(52) **U.S. Cl.** ..... **D26/28**

(58) **Field of Classification Search** ..... D26/28-36;  
362/459-468, 475-478, 485-487

See application file for complete search history.

(56) **References Cited**

**U.S. PATENT DOCUMENTS**

D560,292 S *	1/2008	Sato	.....	D26/28
D561,357 S *	2/2008	Leclercq	.....	D26/28
D570,015 S *	5/2008	Hsu	.....	D26/28
D574,524 S *	8/2008	Tomatsu	.....	D26/28

**OTHER PUBLICATIONS**

Brochure of Toyota Harrier, on or before Feb. 17, 2003, Toyota Jidosha Kabushiki Kaisha.

Brochure of Mazda Axela, Apr. 2005, Mazda Motor Company.  
Brochure of Mazda Atenza, Apr. 2005, Mazda Motor Company.

\* cited by examiner

*Primary Examiner*—Marcus A. Jackson

(74) *Attorney, Agent, or Firm*—Saidman DesignLaw Group

(57) **CLAIM**

The ornamental design for a rear combination lamp for an automobile, as shown.

**DESCRIPTION**

FIG. 1 is a perspective view of a rear combination lamp for an automobile showing my new design;

FIG. 2 is a front view thereof;

FIG. 3 is a rear view thereof;

FIG. 4 is a top plan view thereof;

FIG. 5 is a bottom plan view thereof;

FIG. 6 is a left side view thereof; and,

FIG. 7 is a right side view thereof.

**1 Claim, 2 Drawing Sheets**

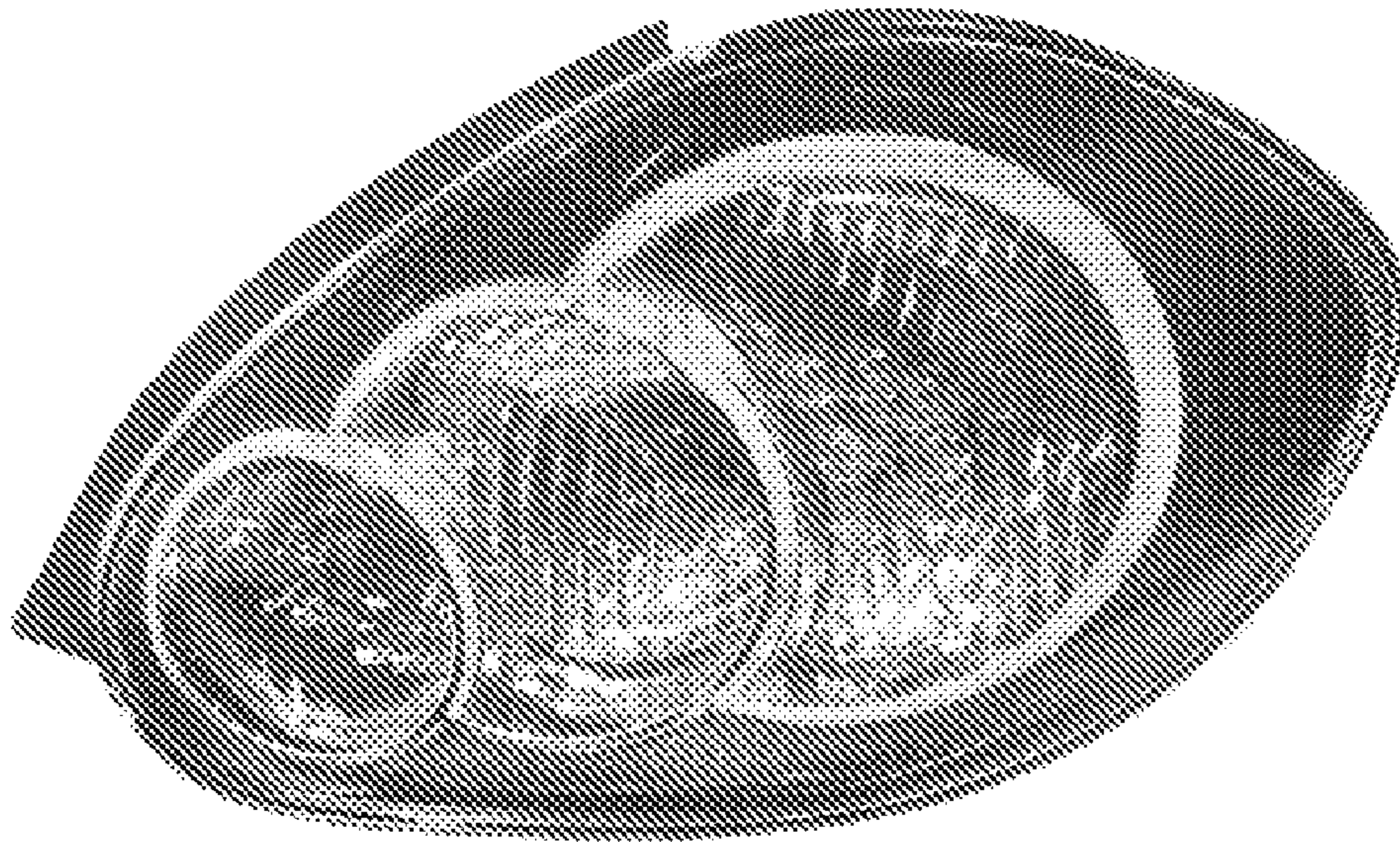


Fig. 1

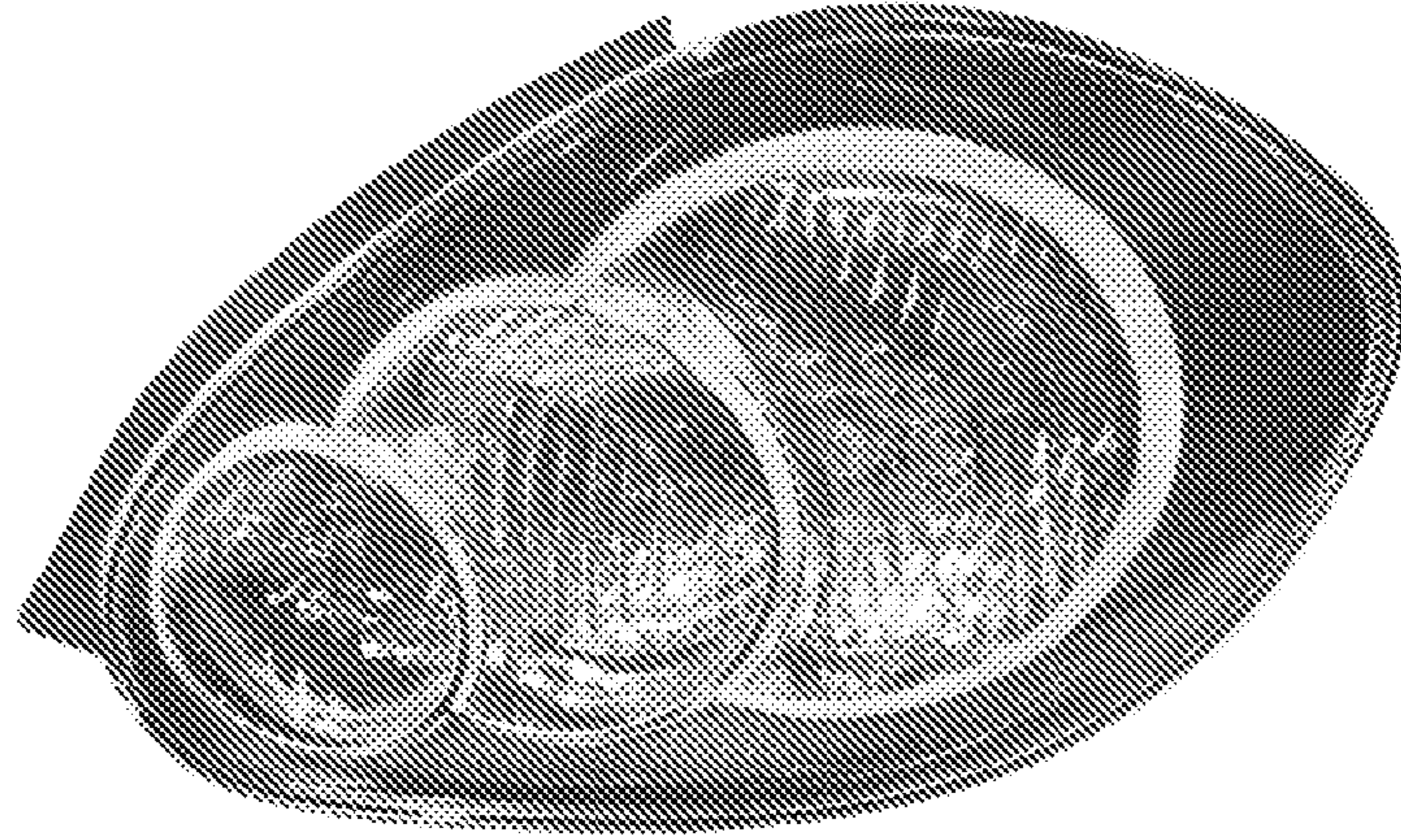
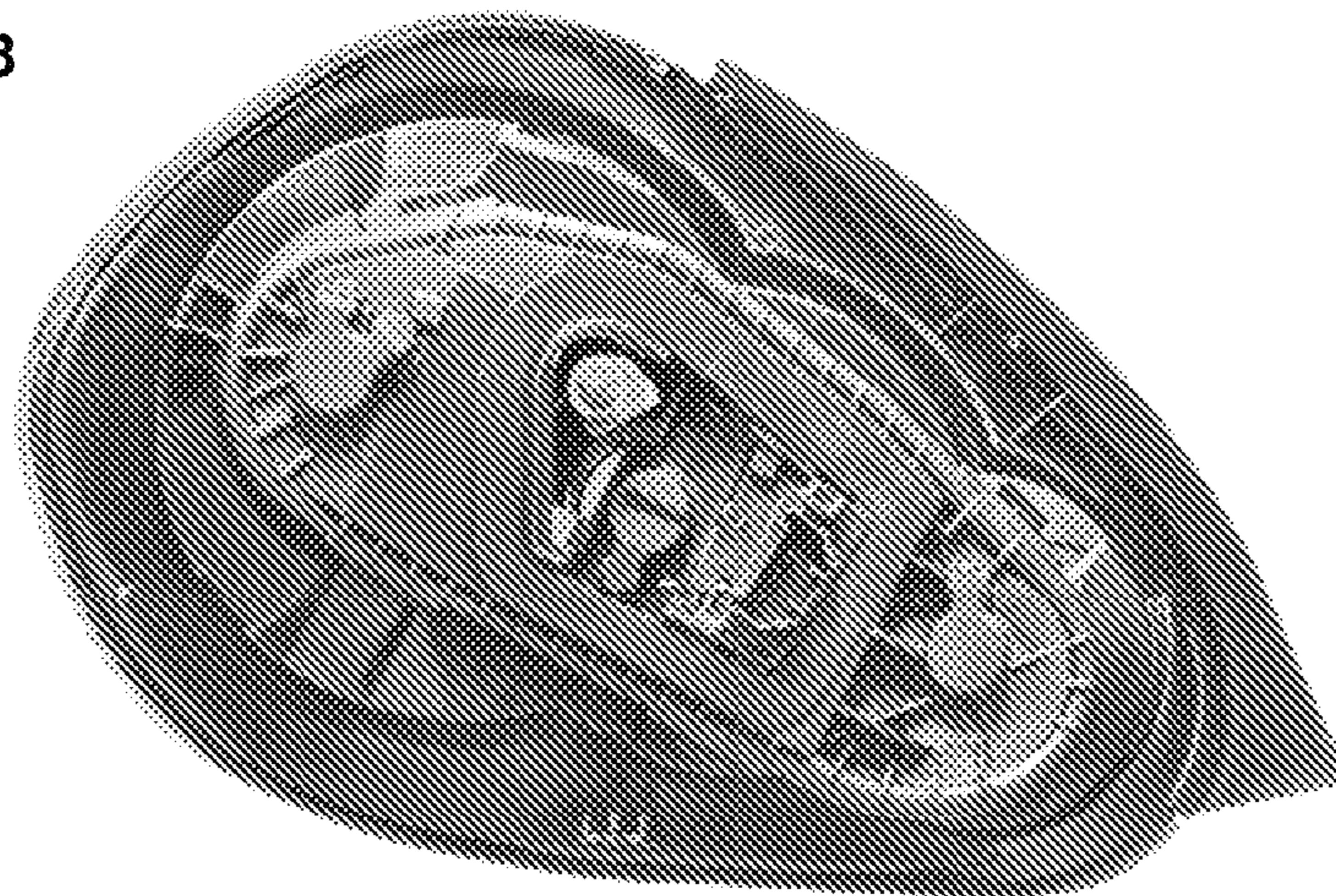


Fig. 2



Fig. 3



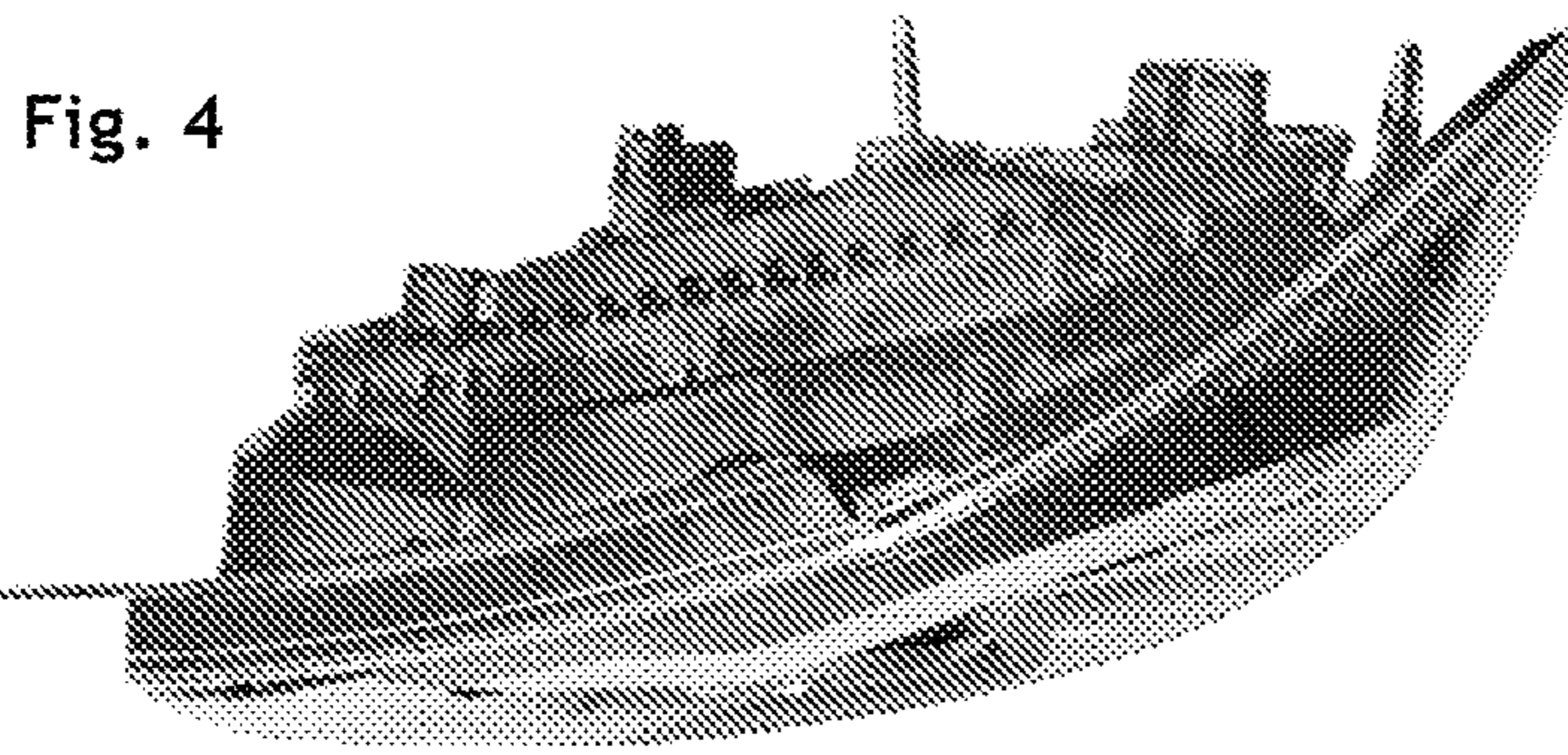


Fig. 5

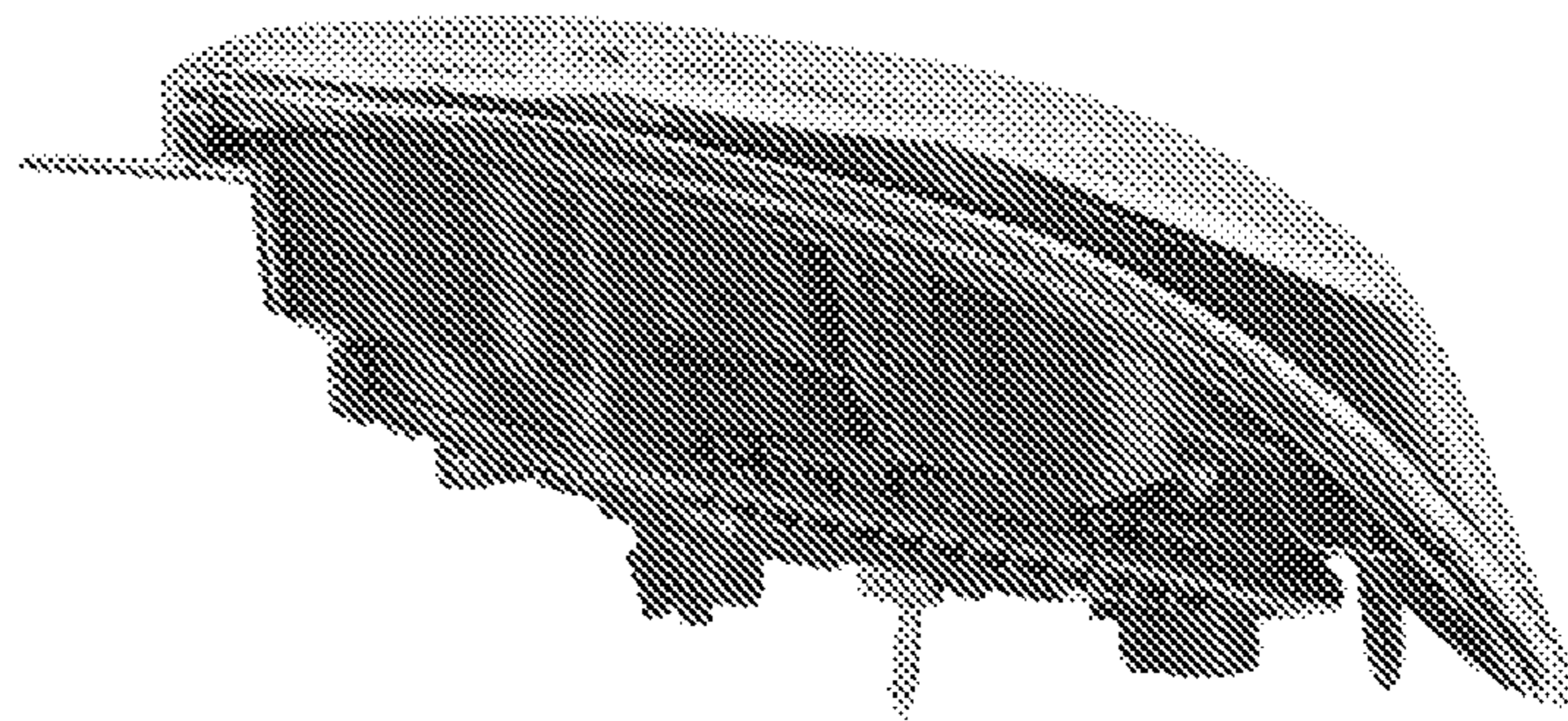


Fig. 6

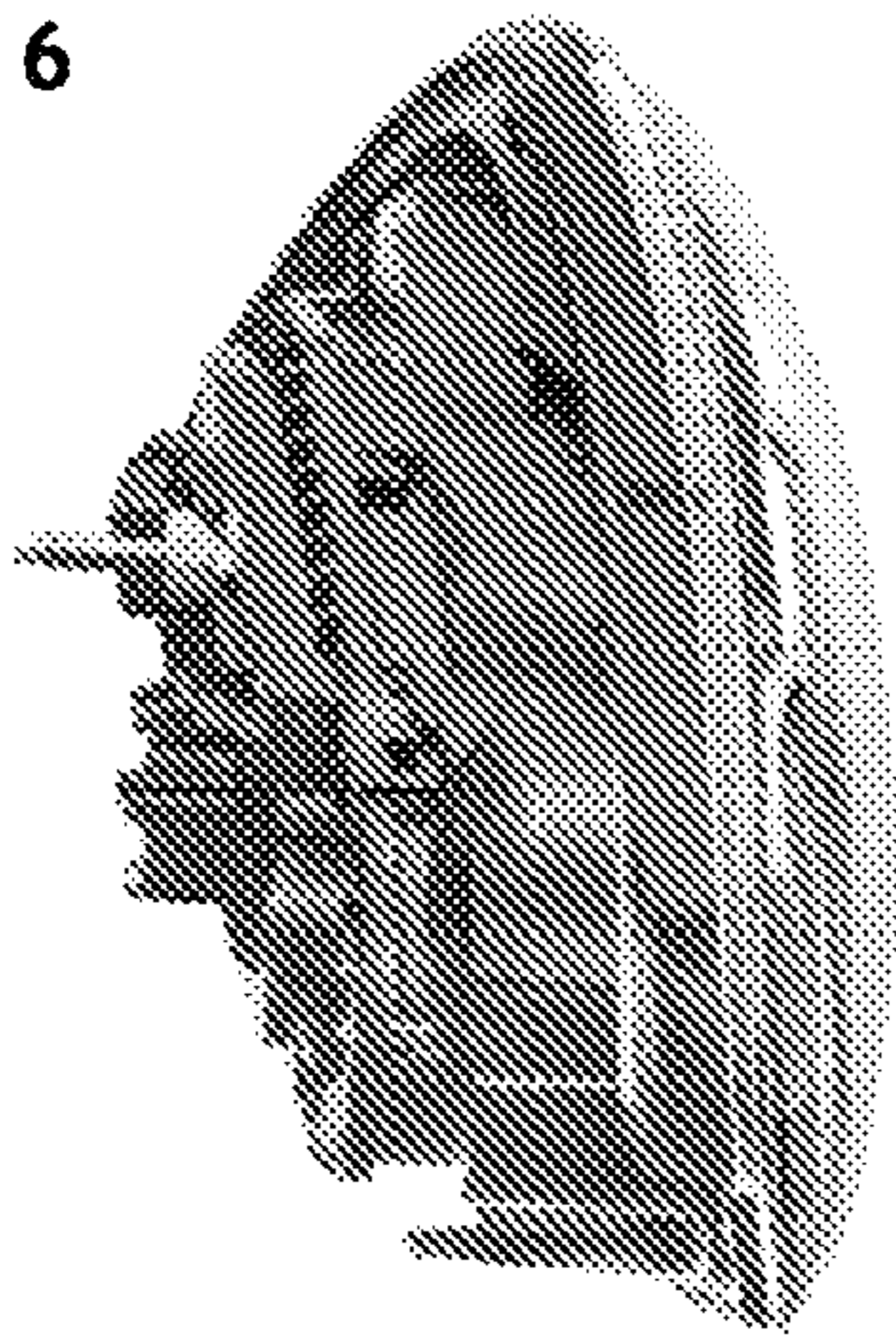


Fig. 7

