



US00D592764S

(12) **United States Design Patent**
Campbell et al.

(10) **Patent No.:** **US D592,764 S**

(45) **Date of Patent:** **** *May 19, 2009**

(54) **WINDOW FRAME PROFILE**

(75) Inventors: **David Campbell**, Innisfil (CA); **Nina Sterlin**, Thornhill (CA)

(73) Assignee: **Royal Group, Inc.**, Atlanta, GA (US)

(*) Notice: This patent is subject to a terminal disclaimer.

(**) Term: **14 Years**

(21) Appl. No.: **29/303,366**

(22) Filed: **Feb. 7, 2008**

(51) **LOC (9) Cl.** **25-01**

(52) **U.S. Cl.** **D25/124**

(58) **Field of Classification Search** D25/124;
52/204.1, 204.5, 204.51, 656.5, 656.6, 656.2,
52/730.3; 49/501, 504, DIG. 2
See application file for complete search history.

(56) **References Cited**

U.S. PATENT DOCUMENTS

5,099,624	A *	3/1992	Valentin	52/207
6,006,478	A *	12/1999	Hubner et al.	52/204.5
D442,291	S *	5/2001	Ballard et al.	D25/124
D461,570	S *	8/2002	Ballard et al.	D25/124
D466,623	S *	12/2002	Ballard et al.	D25/124
D466,627	S *	12/2002	Morton et al.	D25/124

D471,647	S *	3/2003	Chaney et al.	D25/124
D495,430	S *	8/2004	Franson	D25/124
D500,561	S *	1/2005	Franson	D25/124
6,857,232	B2 *	2/2005	Bealko	52/211
D502,555	S *	3/2005	Fannan	D25/124
2003/0159374	A1 *	8/2003	Burgess	52/204.61
2004/0000093	A1 *	1/2004	Guelck	49/183

* cited by examiner

Primary Examiner—Doris Clark

(74) *Attorney, Agent, or Firm*—Hunton & Williams LLP

(57) **CLAIM**

We claim the ornamental design for a window frame profile, as shown and described.

DESCRIPTION

FIG. 1 is a fragmentary top right isometric view of a window frame profile showing the claimed design.

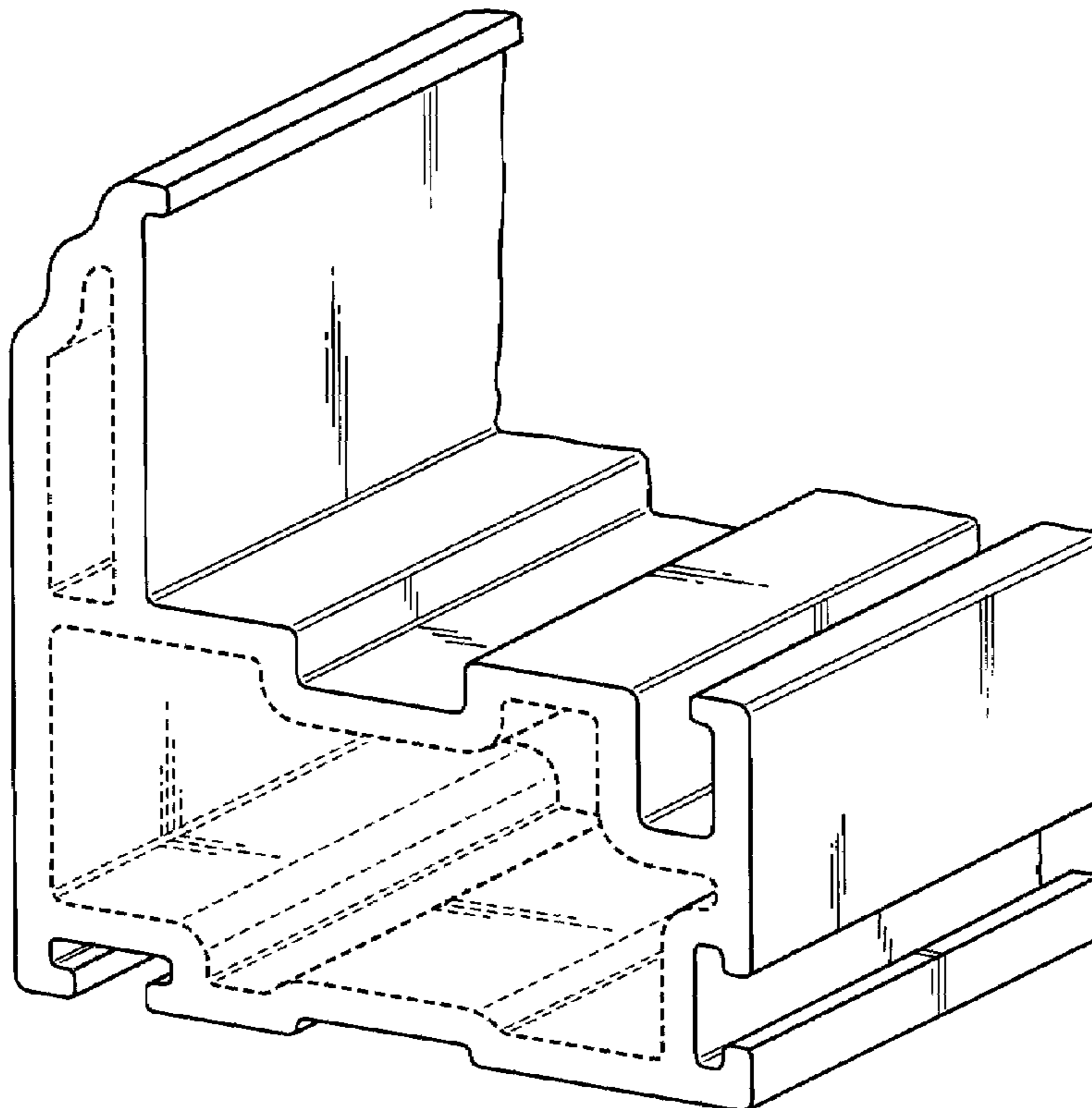
FIG. 2 is a fragmentary bottom left isometric view of the window frame profile of FIG. 1; and,

FIG. 3 is an end elevation view of the window frame profile of FIG. 1.

The claimed design is broken on the end to indicate indeterminate length.

The broken lines are for illustrative purposes only and form no part of the claimed design.

1 Claim, 3 Drawing Sheets



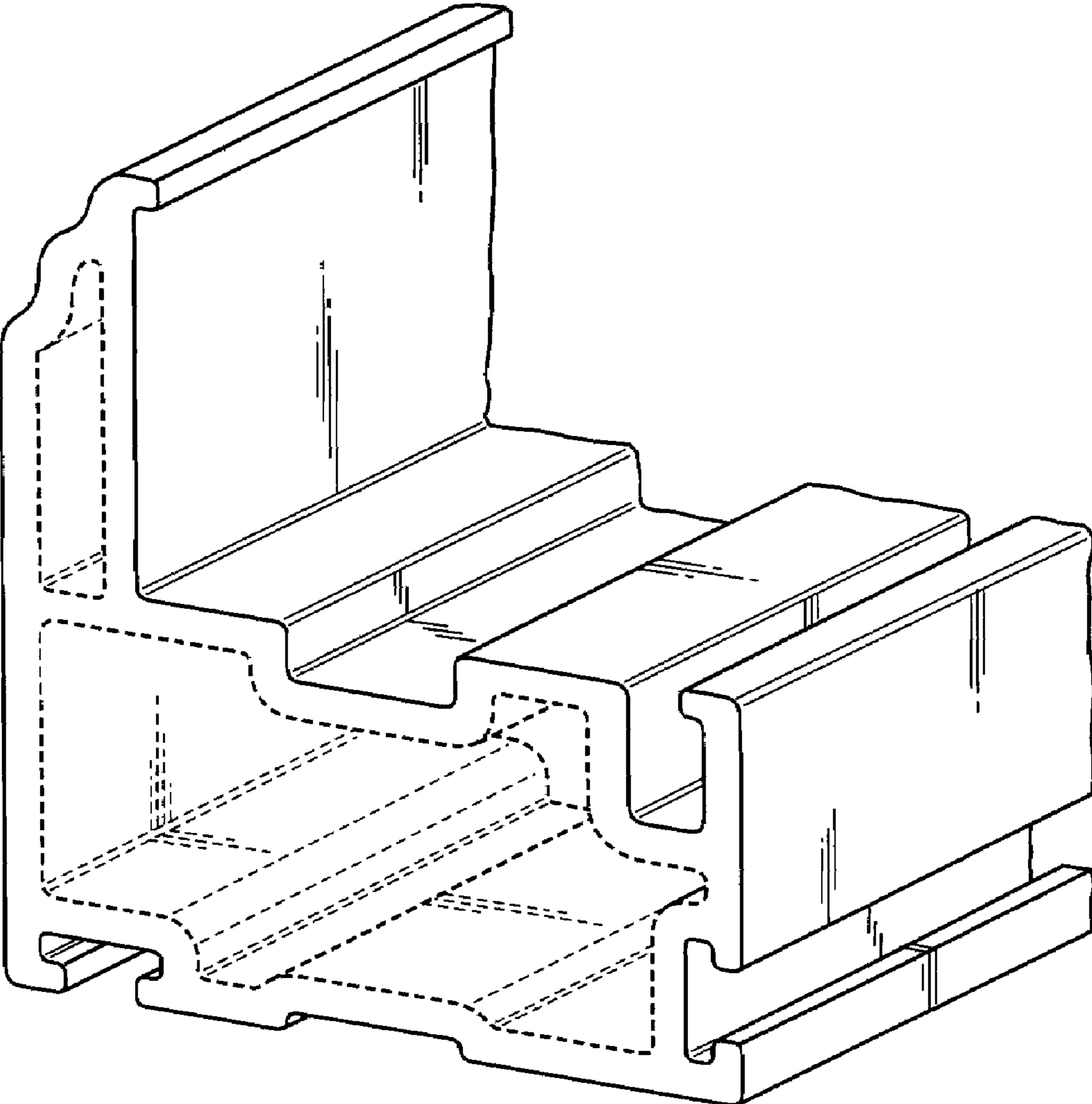


Fig. 1

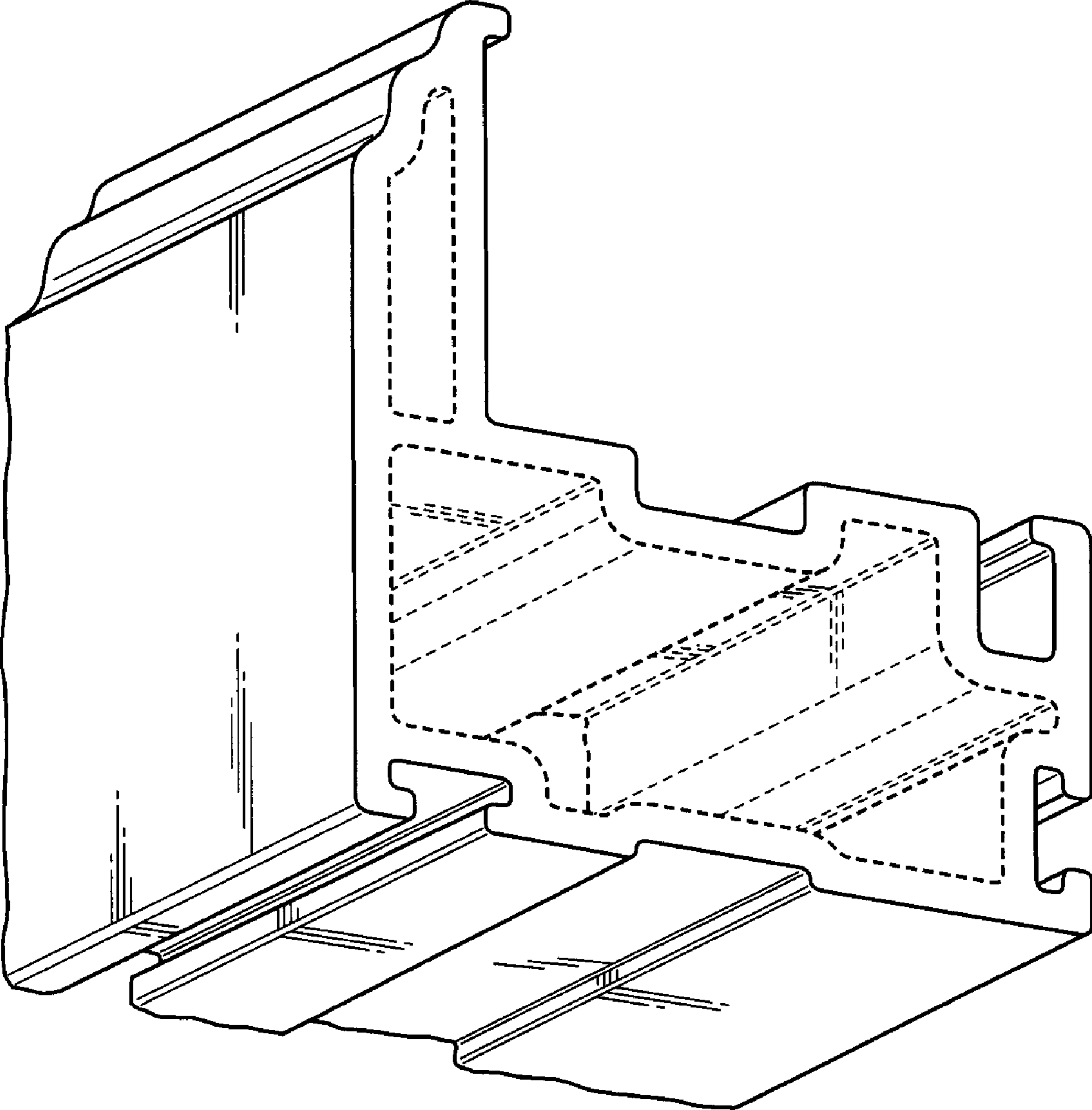


Fig. 2

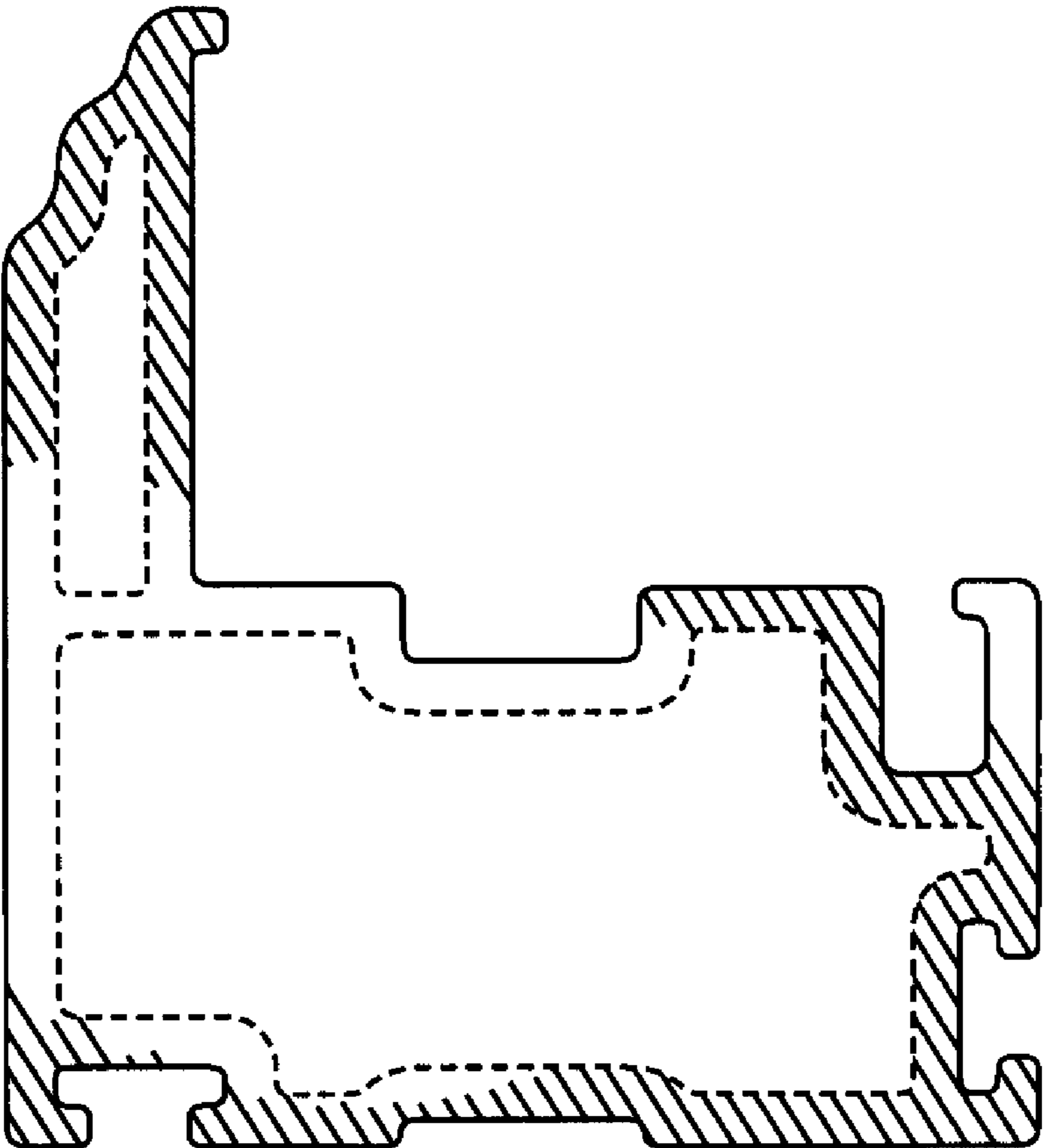


Fig. 3