



US00D592762S

(12) **United States Design Patent**
King et al.

(10) **Patent No.:** **US D592,762 S**

(45) **Date of Patent:** **** May 19, 2009**

(54) **BUS SHELTER ASSEMBLY**

4,558,650 A	12/1985	Berman
D285,810 S	9/1986	Glasener
D286,829 S	11/1986	Yeranossian
D288,441 S	2/1987	Lalonde
D294,365 S	2/1988	Nishibori et al.
D295,193 S	4/1988	Visocky et al.
D313,631 S	1/1991	White

(75) Inventors: **Perry King**, Milan (IT); **Santiago Miranda**, Milan (IT)

(73) Assignee: **Cemusa Corporacion Europea De Mobiliario Urbano, S.A.**, Madrid (ES)

(**) Term: **14 Years**

(Continued)

(21) Appl. No.: **29/289,228**

FOREIGN PATENT DOCUMENTS

(22) Filed: **Jul. 11, 2007**

EP K593686 9/2006

(30) **Foreign Application Priority Data**

(Continued)

Jan. 12, 2007 (EM) 000651435

OTHER PUBLICATIONS

U.S. Appl. No. 29/285,194, filed Mar. 22, 2007, Miranda, Advertising Panel Assembly.

(51) **LOC (9) Cl.** **25-02**

(Continued)

(52) **U.S. Cl.** **D25/56**

(58) **Field of Classification Search** D25/1,
D25/56; 52/36.2, 73

Primary Examiner—Doris Clark
(74) *Attorney, Agent, or Firm*—Kenyon & Kenyon LLP

See application file for complete search history.

(57) **CLAIM**

(56) **References Cited**

The ornamental design for a bus shelter assembly, as shown and described.

U.S. PATENT DOCUMENTS

DESCRIPTION

D45,299 S	2/1914	Hammond
D47,242 S	4/1915	Cusack
1,470,522 A	10/1923	Coyle
D74,852 S	4/1928	Browne et al.
D77,528 S	1/1929	Brumbaugh
D103,954 S	4/1937	Reynolds
D202,866 S	11/1965	Handley
D227,599 S	7/1973	Wisgin
D233,087 S	10/1974	Martin
D239,576 S	4/1976	Casparro
D240,169 S	6/1976	Summey
D241,747 S	10/1976	King
4,018,016 A *	4/1977	Zale 52/79.1
D275,969 S	10/1984	Bowers

FIG. 1 is a front perspective view of a bus shelter assembly showing our new design.

FIG. 2 is a front elevation view thereof

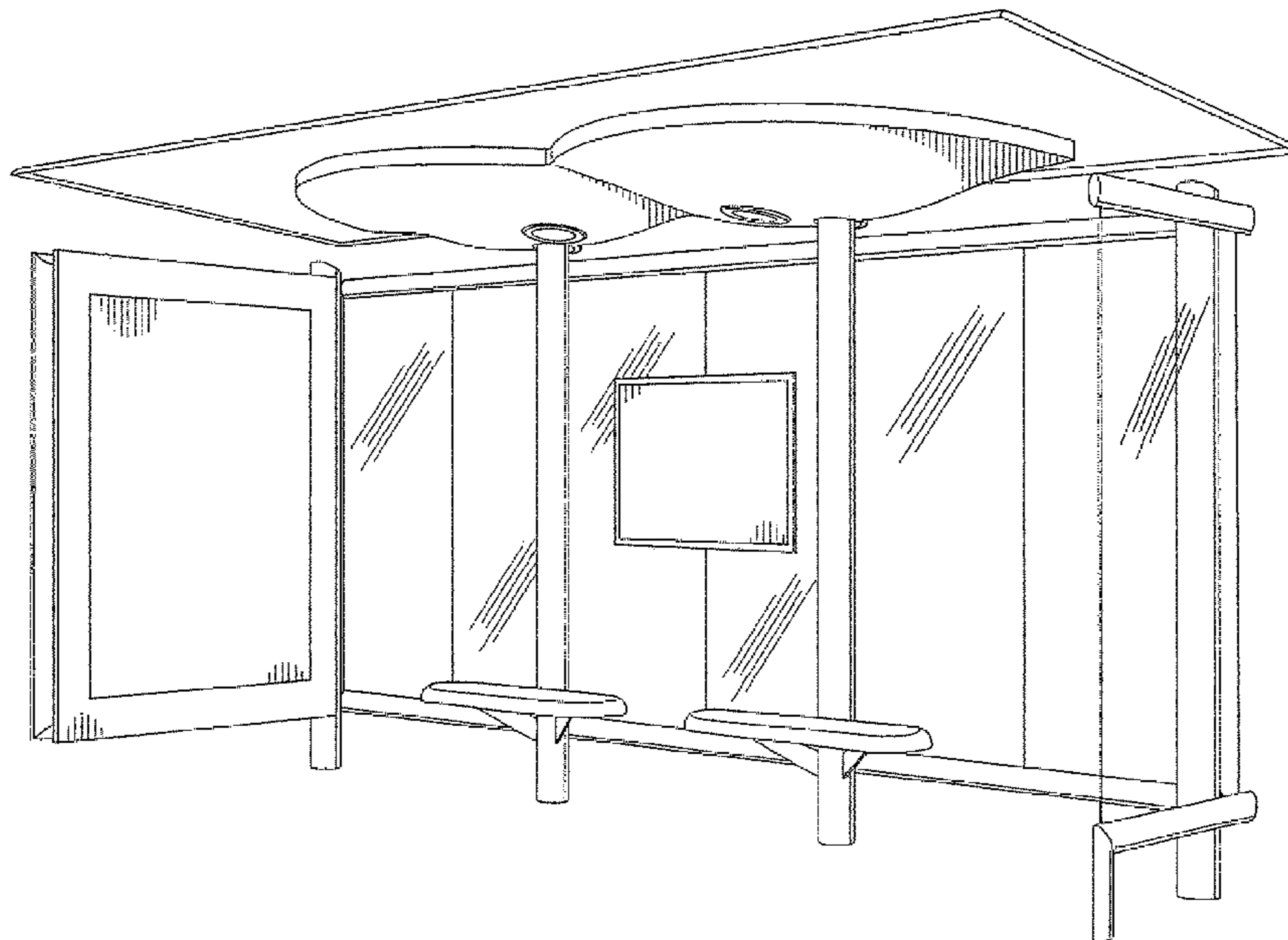
FIG. 3 is a right side elevation view thereof.

FIG. 4 is a top plan view thereof.

FIG. 5 is a rear elevation view thereof; and,

FIG. 6 is a left side elevation view thereof.

1 Claim, 6 Drawing Sheets



US D592,762 S

Page 2

U.S. PATENT DOCUMENTS

D317,681 S 6/1991 Stewart et al.
D324,701 S 3/1992 Capps
D330,568 S 10/1992 Roberts et al.
D330,919 S 11/1992 Von Canal
D334,775 S 4/1993 Foster
D336,136 S 6/1993 Foster
D338,073 S * 8/1993 Wall D25/1
D347,025 S 5/1994 Asselin
D356,601 S 3/1995 Arakaki et al.
D366,158 S 1/1996 Wirth
D375,979 S 11/1996 Adams
5,584,547 A 12/1996 Trulaske, Sr.
D378,301 S 3/1997 Leksell
D386,723 S 11/1997 Fujieda
D395,677 S 6/1998 Gongora et al.
5,798,702 A 8/1998 Okamoto et al.
D403,434 S * 12/1998 Sander D25/1
5,857,537 A 1/1999 Matsumoto et al.
D407,755 S 4/1999 Isshiki et al.
D410,697 S 6/1999 Smart
D413,934 S 9/1999 Kleihues
D414,721 S 10/1999 Nakamura
6,039,137 A 3/2000 Schless
D423,164 S 4/2000 McKeown et al.
D424,264 S 5/2000 McKeown et al.
D425,938 S 5/2000 Skog
D427,242 S 6/2000 Pettesch
D433,455 S 11/2000 Methot
D436,135 S 1/2001 Emert
D440,544 S 4/2001 Fischer
D445,273 S 7/2001 Brown et al.
6,260,649 B1 7/2001 Carney, Jr.
D446,821 S 8/2001 Decaux
D447,183 S 8/2001 Wilmotte
D448,420 S 9/2001 O'Brien et al.
D449,076 S 10/2001 Dumouchel
D452,710 S 1/2002 Ragot
D452,884 S 1/2002 Metral
D453,191 S 1/2002 Gentelia et al.
D453,192 S 1/2002 Gentelia et al.
D455,788 S 4/2002 Gentelia et al.
D455,789 S 4/2002 Schlueter
6,418,041 B1 7/2002 Kitamura
D467,561 S 12/2002 Kosciolk
6,505,638 B1 1/2003 Powell et al.
D472,223 S 3/2003 Wilmotte
D479,659 S 9/2003 Fleckenstein et al.
D480,431 S 10/2003 O'Brien et al.
D483,074 S 12/2003 Strunk et al.
D486,188 S 2/2004 Norcross et al.
D489,072 S 4/2004 Nishioka et al.
6,722,068 B2 4/2004 Ohlsson
D491,608 S 6/2004 Strunk et al.
D497,167 S 10/2004 Ozolins et al.
D499,453 S 12/2004 Hornblad
D499,768 S 12/2004 Hornblad
D501,889 S 2/2005 Harris et al.
D502,942 S 3/2005 Penke et al.
6,865,830 B2 3/2005 Gravitt et al.
D507,813 S 7/2005 Gillard
D509,502 S 9/2005 Penke et al.
D512,573 S 12/2005 Koenig
D514,844 S 2/2006 Cravens et al.
D529,192 S 9/2006 Whalen
D530,880 S 10/2006 Magee et al.
7,156,296 B2 1/2007 Magee et al.
7,165,641 B2 1/2007 Kitamura
D542,849 S 5/2007 Hill et al.
7,237,360 B2 * 7/2007 Moncho et al. 52/28
D555,524 S 11/2007 Jacobsen et al.
D556,264 S 11/2007 Tanaka et al.

D559,577 S 1/2008 Quinn
2008/0078112 A1 4/2008 Basha

FOREIGN PATENT DOCUMENTS

EP K593702 9/2006
EP K651435 1/2007
EP K688270 3/2007
EP K715248 4/2007
EP K715255 4/2007
EP K715263 4/2007
EP K715271 4/2007
EP K745567 4/2007
EP K722111 5/2007
EP K722152 5/2007
EP K722178 5/2007
EP K722194 5/2007
EP K732177 5/2007
EP K732185 5/2007
WO DM/056879 5/2006

OTHER PUBLICATIONS

U.S. Appl. No. 29/285,195, filed Mar. 22, 2007, Giugiaro, Information/Dispenser Station.
U.S. Appl. No. 29/285,196, filed Mar. 22, 2007, Giugiaro, Advertising Panel Assembly.
U.S. Appl. No. 29/285,197, filed Mar. 22, 2007, Miranda, Advertising Panel Assembly.
U.S. Appl. No. 29/285,198, filed Mar. 22, 2007, Guigiaro, Advertising Panel Assembly.
U.S. Appl. No. 29/285,206, filed Mar. 22, 2007, Guigiaro, Information Station.
U.S. Appl. No. 29/289,229, filed Jul. 11, 2007, Rogers, Bus Shelter Assembly.
U.S. Appl. No. 29/289,243, filed Jul. 11, 2007, Giugiaro, Bus Shelter Assembly.
U.S. Appl. No. 29/289,248, filed Jul. 11, 2007, Rogers, Bus Shelter Assembly.
U.S. Appl. No. 29/289,249, filed Jul. 11, 2007, Pensi, Bus Shelter Assembly.
U.S. Appl. No. 29/286,920, filed May 21, 2007, Giugiaro, Bicycle Assembly.
U.S. Appl. No. 29/291,775, filed Sep. 13, 2007, Piantanida, Information/Advertising Panel Assembly.
U.S. Appl. No. 29/291,776, filed Sep. 13, 2007, Martinez Lapeña et al., Information/Advertising Panel Assembly.
U.S. Appl. No. 29/291,777, filed Sep. 13, 2007, Giugiaro, Information/Advertising Panel Assembly.
U.S. Appl. No. 29/291,778, filed Sep. 13, 2007, Grimshaw, Information/Advertising Panel Assembly.
U.S. Appl. No. 29/291,779, filed Sep. 13, 2007, Giugiaro, Information/Advertising Panel Assembly.
U.S. Appl. No. 29/291,780, filed Sep. 13, 2007, King et al., Information/Advertising Panel Assembly.
U.S. Appl. No. 29/291,781, filed Sep. 13, 2007, Grimshaw, Information/Advertising Panel Assembly.
U.S. Appl. No. 29/291,784, filed Sep. 13, 2007, King et al., Information/Advertising Panel Assembly.
U.S. Appl. No. 29/291,788, filed Sep. 13, 2007, Grimshaw, Information/Advertising Panel Assembly.
U.S. Appl. No. 29/291,789, filed Sep. 13, 2007, Pensi, Information/Advertising Panel Assembly.
U.S. Appl. No. 29/291,790, filed Sep. 13, 2007, Martinez Lapeña et al., Information/Advertising Panel Assembly.
U.S. Appl. No. 29/291,791, filed Sep. 13, 2007, Grimshaw, Advertising Panel Assembly.
U.S. Appl. No. 29/291,797, filed Sep. 13, 2007, Grimshaw, Information/Advertising Panel Assembly.
U.S. Appl. No. 29/291,798, filed Sep. 13, 2007, Rogers, Information/Advertising Panel Assembly.
U.S. Appl. No. 29/291,799, filed Sep. 13, 2007, Rogers, Information/Advertising Panel and/or Seating Assembly.

US D592,762 S

Page 3

U.S. Appl. No. 29/291,800, filed Sep. 13, 2007, Beloqui, Information/Advertising Panel Assembly.

U.S. Appl. No. 29/291,801, filed Sep. 13, 2007, Rogers, Information/Advertising Panel Assembly.

U.S. Appl. No. 29/291,813, filed Sep. 13, 2007, Piantanida, Information/Advertising Panel Assembly.

U.S. Appl. No. 29/291,814, filed Sep. 13, 2007, King et al., Information/Advertising Panel Assembly.

U.S. Appl. No. 29/291,815, filed Sep. 13, 2007, Grimshaw, Information/Advertising Panel Assembly.

U.S. Appl. No. 29/291,816, filed Sep. 13, 2007, Grimshaw, Information/Advertising Panel Assembly.

U.S. Appl. No. 29/291,817, filed Sep. 13, 2007, Niemeyer, Information/Advertising Panel Assembly.

U.S. Appl. No. 29/291,818, filed Sep. 13, 2007, Grimshaw, Information/Advertising Panel Assembly.

U.S. Appl. No. 29/291,820, filed Sep. 13, 2007, Pensi, Information/Advertising Panel Assembly.

U.S. Appl. No. 29/291,824, filed Sep. 13, 2007, King et al., Information/Advertising Panel Assembly.

U.S. Appl. No. 29/292,582, filed Oct. 16, 2007, Raynaud, Information/Advertising Panel Assembly.

U.S. Appl. No. 29/292,742, filed Oct. 26, 2007, Recycling-Area Assembly.

U.S. Appl. No. 29/292,744, filed Oct. 26, 2007, Bicycle Parking Assembly.

U.S. Appl. No. 29/292,745, filed Oct. 26, 2007, Booth Assembly.

U.S. Appl. No. 29/292,755, filed Oct. 26, 2007, Fence/Railing.

U.S. Appl. No. 29/292,882, filed Oct. 30, 2007, Public Restroom.

U.S. Appl. No. 29/292,901, filed Oct. 30, 2007, Bin Assembly.

U.S. Appl. No. 29/292,902, filed Oct. 30, 2007, Giugiaro, Bollard/Fastening-Post Assembly.

U.S. Appl. No. 29/292,903, filed Oct. 30, 2007, King et al., Recycling Bin.

U.S. Appl. No. 29/292,904, filed Oct. 30, 2007, Pensi et al., Seating Assembly.

U.S. Appl. No. 29/292,905, filed Oct. 30, 2007, News Stand Assembly.

U.S. Appl. No. 29/292,906, filed Oct. 30, 2007, Information/Advertising Panel Assembly.

* cited by examiner

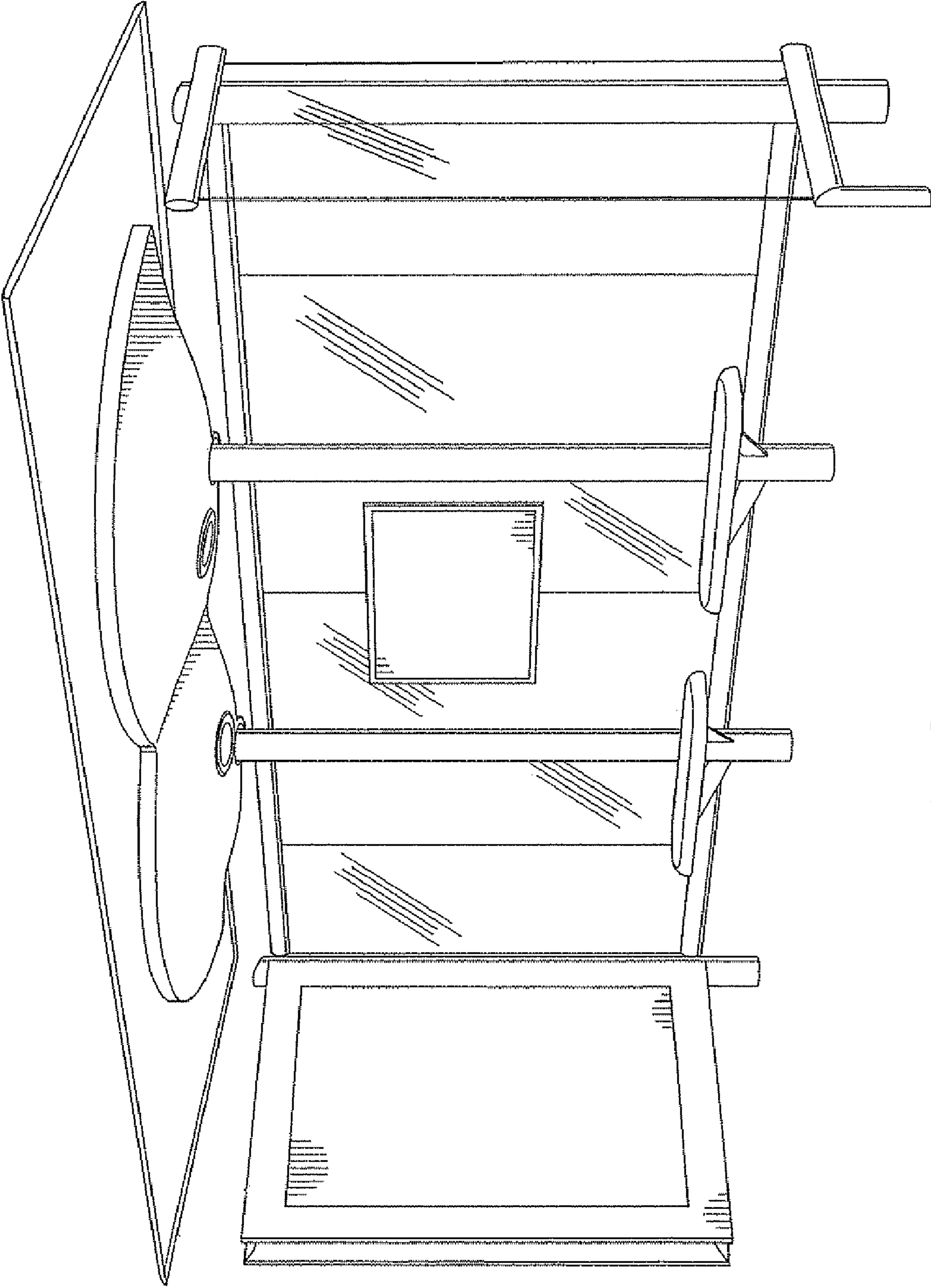


FIG. 1

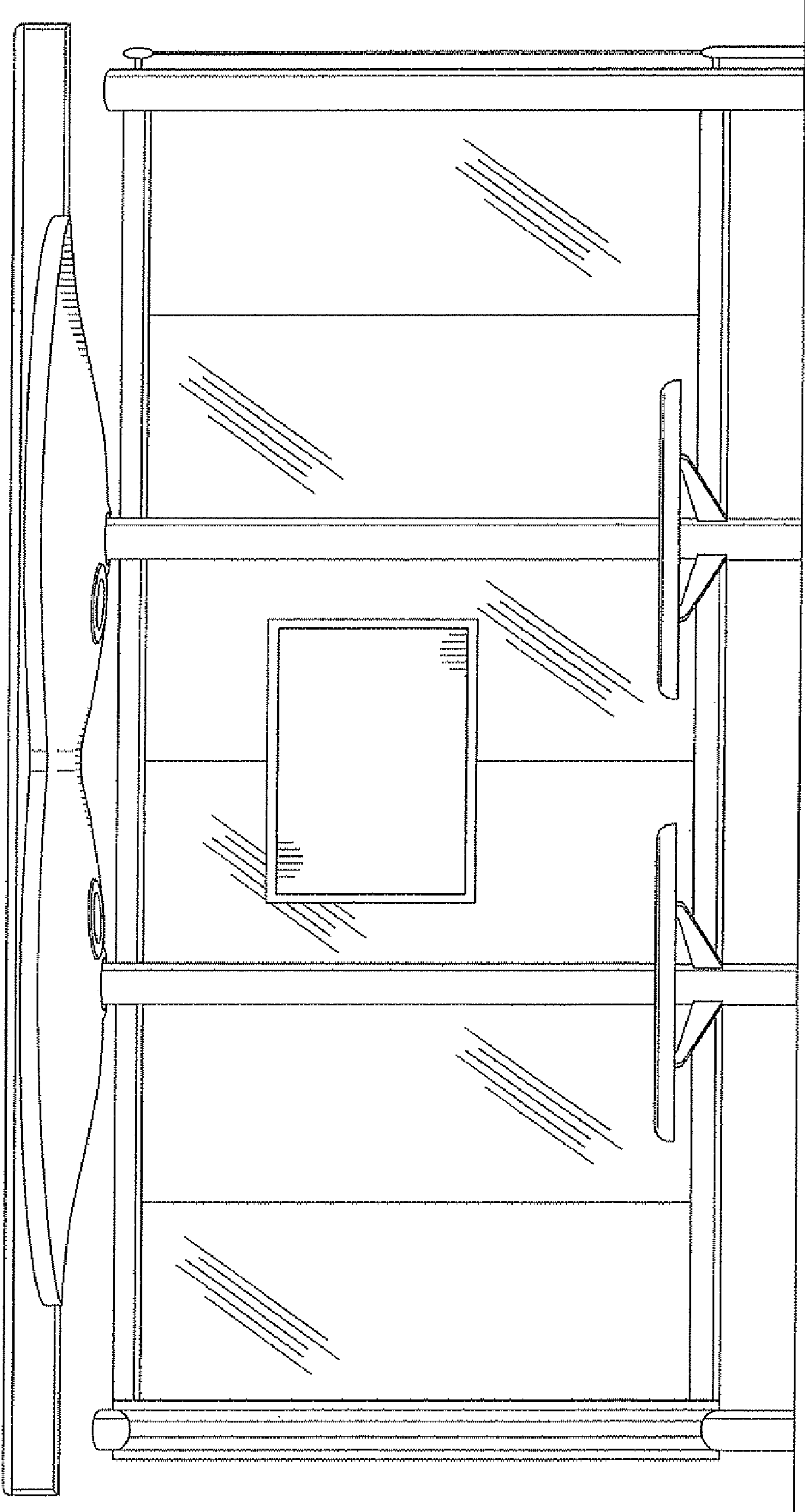


FIG. 2

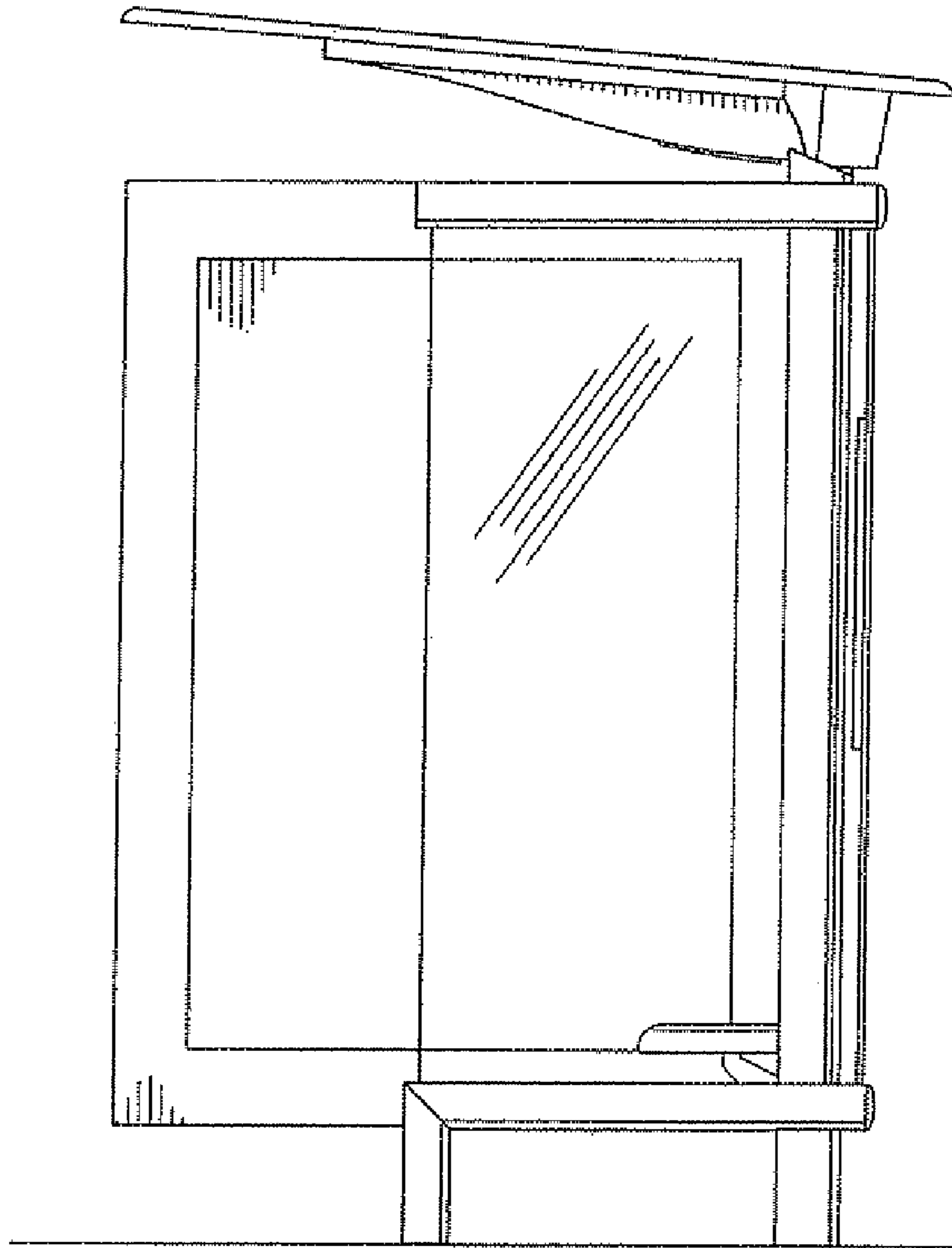


FIG. 3

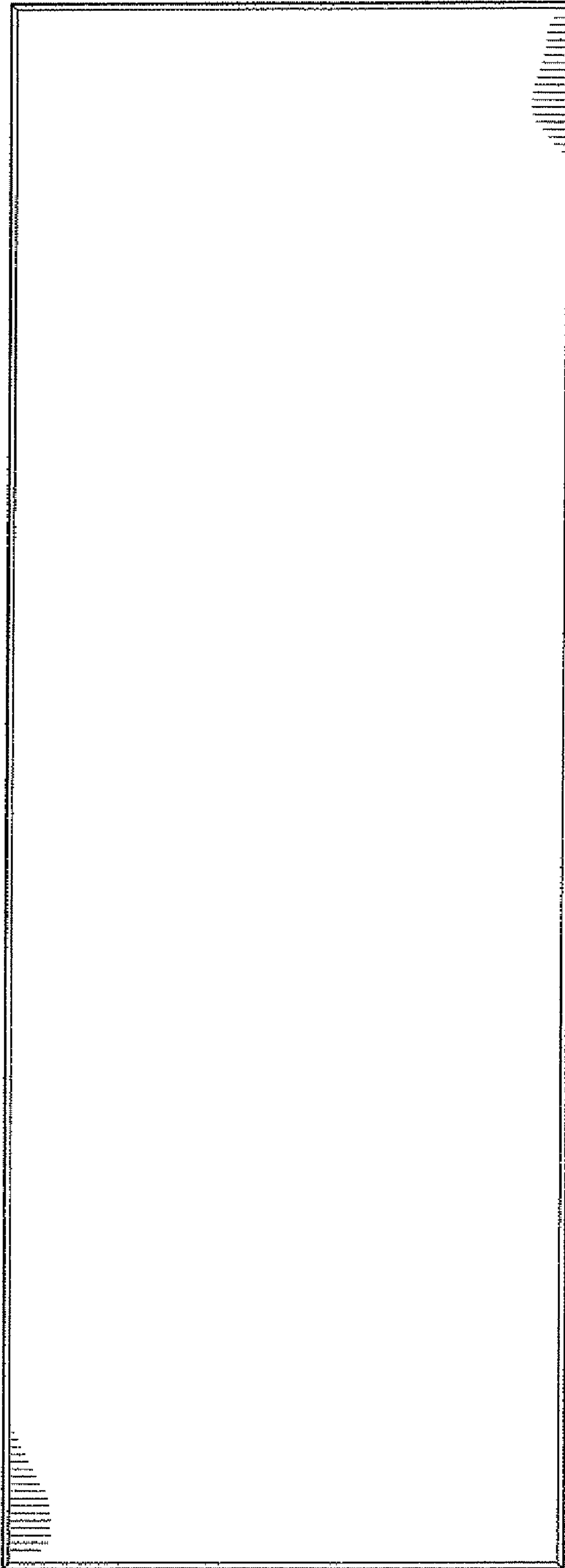


FIG. 4

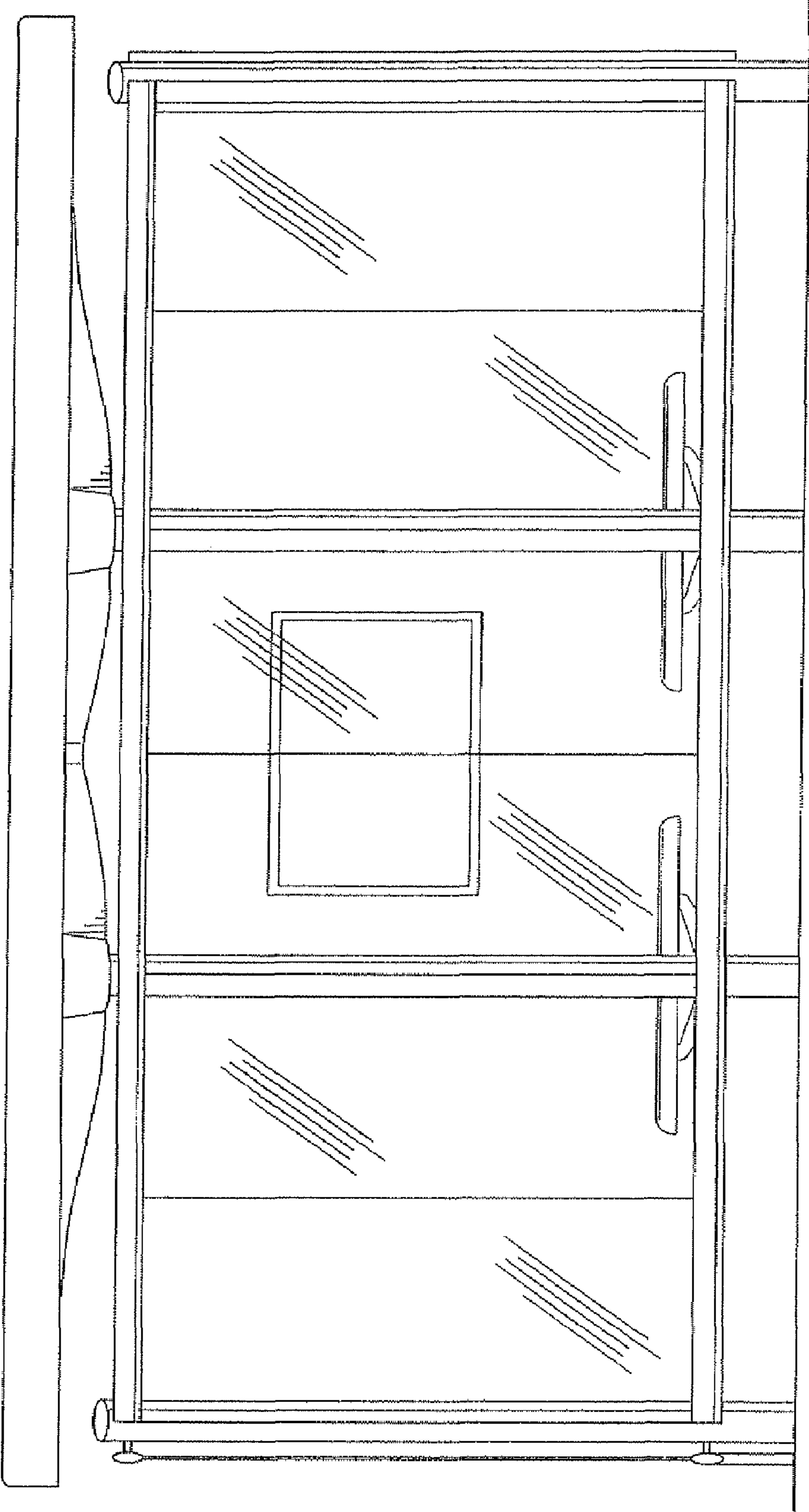


FIG. 5

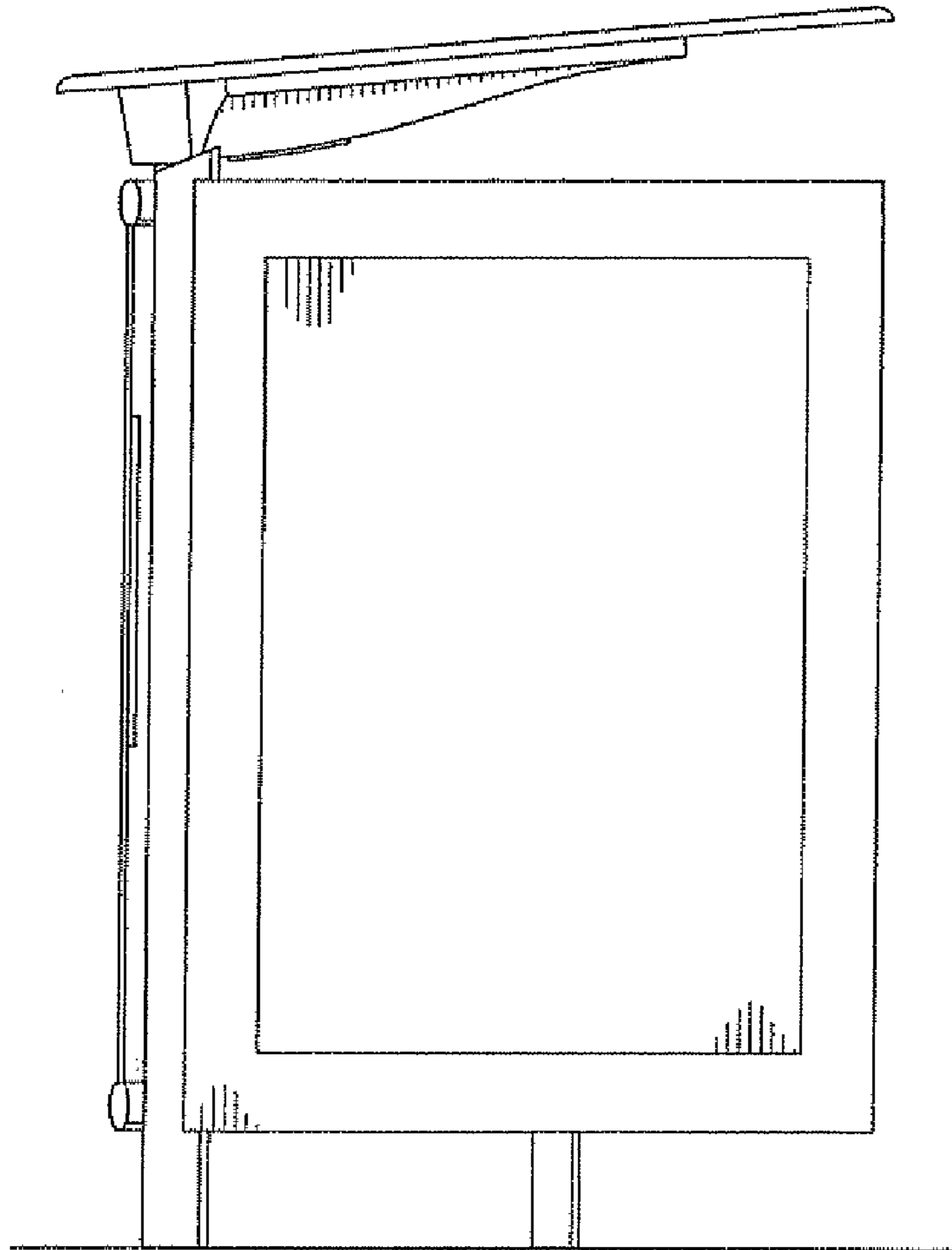


FIG. 6