



US00D592760S

(12) **United States Design Patent**
Diener et al.

(10) **Patent No.:** **US D592,760 S**
(45) **Date of Patent:** **** May 19, 2009**

(54) **TILT CONTROL SUPPORT**

(75) Inventors: **Alexander M. Diener**, Seattle, WA (US); **Bradley J. Sliger**, Seattle, WA (US); **Jared B. Floyd**, Lynnwood, WA (US)

(73) Assignee: **SonoSite, Inc.**, Bothell, WA (US)

(**) Term: **14 Years**

(21) Appl. No.: **29/268,131**

(22) Filed: **Oct. 31, 2006**

(51) **LOC (9) Cl.** **24-02**

(52) **U.S. Cl.** **D24/231**

(58) **Field of Classification Search** D8/354-355, D8/373; D34/28, 35; 248/231.7, 283, 917-924, 248/176.3, 188.2, 188.5, 188.6, 188.8, 346.01, 248/346.03, 653, 676, 688, 455, 456, 371; D24/231; D14/114; 601/2; 108/115-116, 108/132, 146

See application file for complete search history.

(56) **References Cited**

U.S. PATENT DOCUMENTS

1,681,732	A *	8/1928	Gray	248/677
4,113,212	A *	9/1978	Coriden	248/455
4,940,204	A *	7/1990	Nelson et al.	248/688
D367,477	S *	2/1996	Rosen	D14/452
D412,892	S *	8/1999	Lee	D14/375
D416,006	S *	11/1999	Park	D14/374
6,003,831	A *	12/1999	Coleman	248/688
2007/0120024	A1 *	5/2007	Odds et al.	248/122.1
2007/0210221	A1 *	9/2007	Kim et al.	248/124.1

* cited by examiner

Primary Examiner—T. Chase Nelson
Assistant Examiner—Eric L Goodman

(74) *Attorney, Agent, or Firm*—Fulbright & Jaworski L.L.P.

(57) **CLAIM**

We claim the ornamental design for a tilt control support, as shown and described.

DESCRIPTION

The present application is related to concurrently filed and commonly assigned U.S. design patent application Ser. No. 10/610,645, entitled “Ultrasound Display Apparatus;” U.S. patent application Ser. No. 10/610,769, entitled “Docking Station Having Auxiliary Power management For Use With Portable Medical Equipment,” and U.S. patent application Ser. No. 10/612,310, entitled, “Adjustable Height Medical Device and Dock Therefore;” all the disclosures of which are hereby incorporated herein by reference.

FIG. 1 is an isometric view of a tilt control support showing a partially extended support supporting a display apparatus at a particular tilt angle;

FIG. 2 is a front elevation view of FIG. 1;

FIG. 3 is a back elevation view of FIG. 1;

FIG. 4 is a left elevation view of FIG. 1;

FIG. 5 is a right elevation view of FIG. 1;

FIG. 6 is a top plan view of FIG. 1;

FIG. 7 is a bottom plan view of FIG. 1;

FIG. 8 is a front elevation view showing the design in a closed configuration; and,

FIG. 9 is a front elevation view showing the design in a fully extended configuration.

The broken line showing of the display apparatus is shown for illustrative purposes only and forms no part of the claimed design.

1 Claim, 4 Drawing Sheets

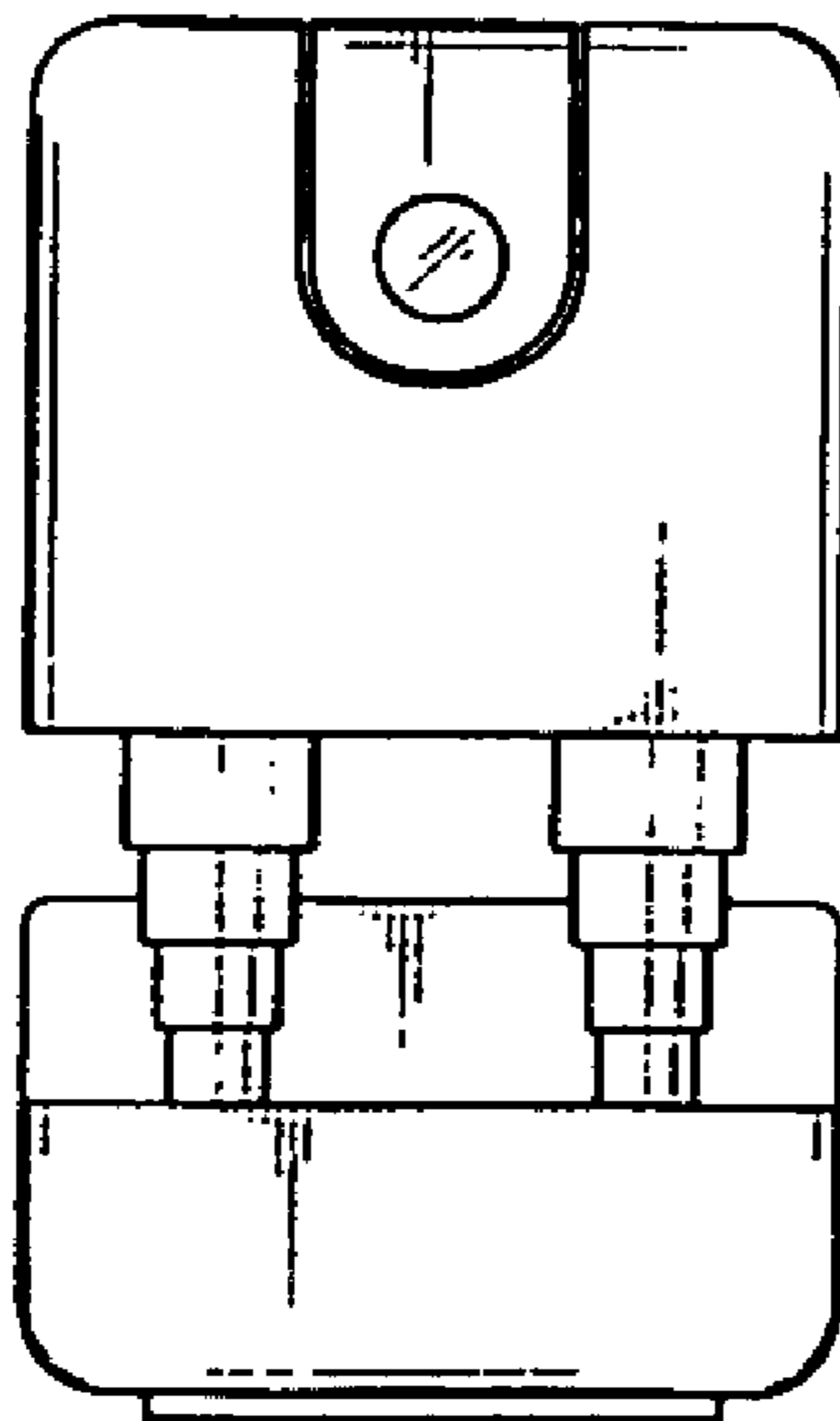


FIG. 1

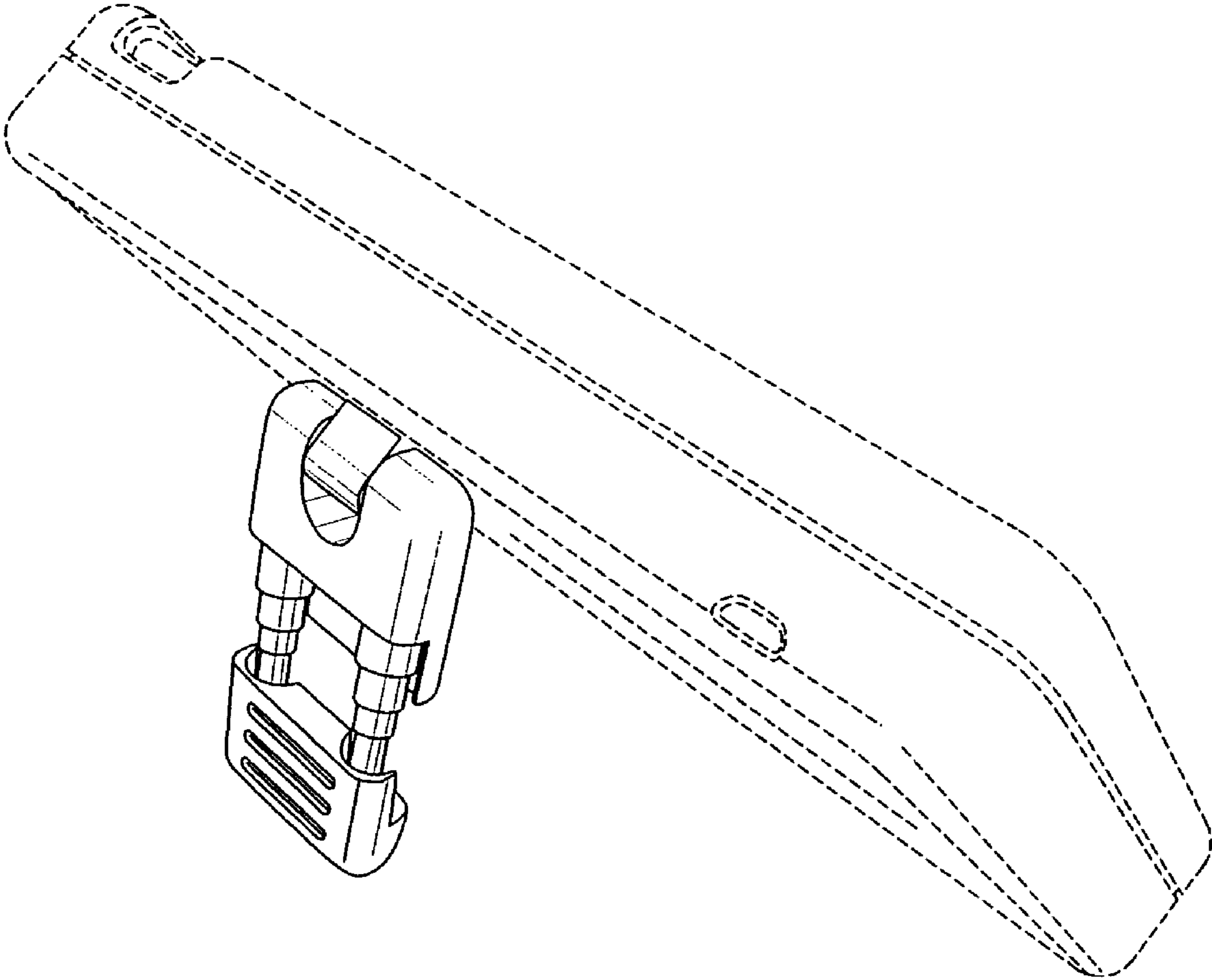


FIG. 2

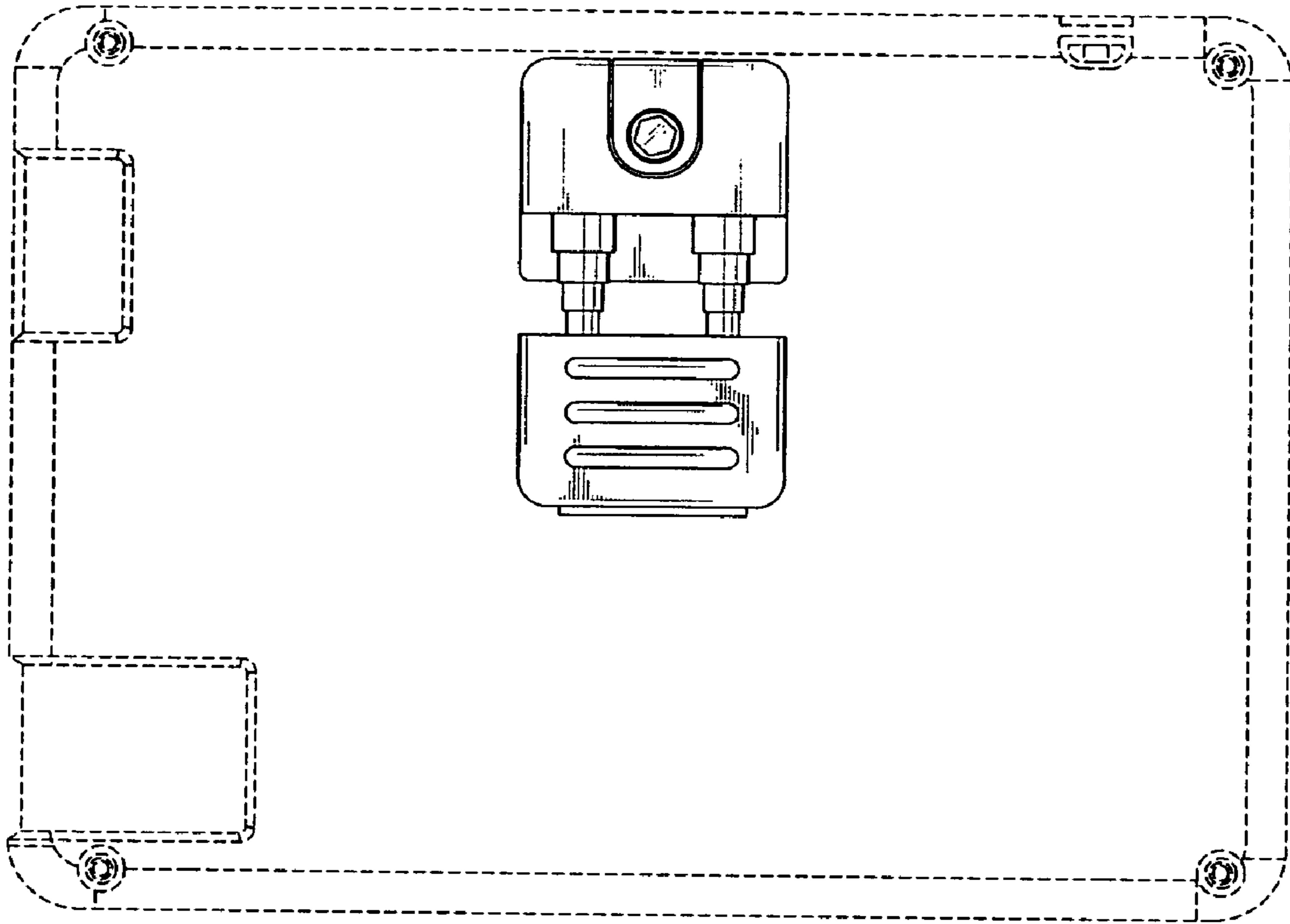


FIG. 3

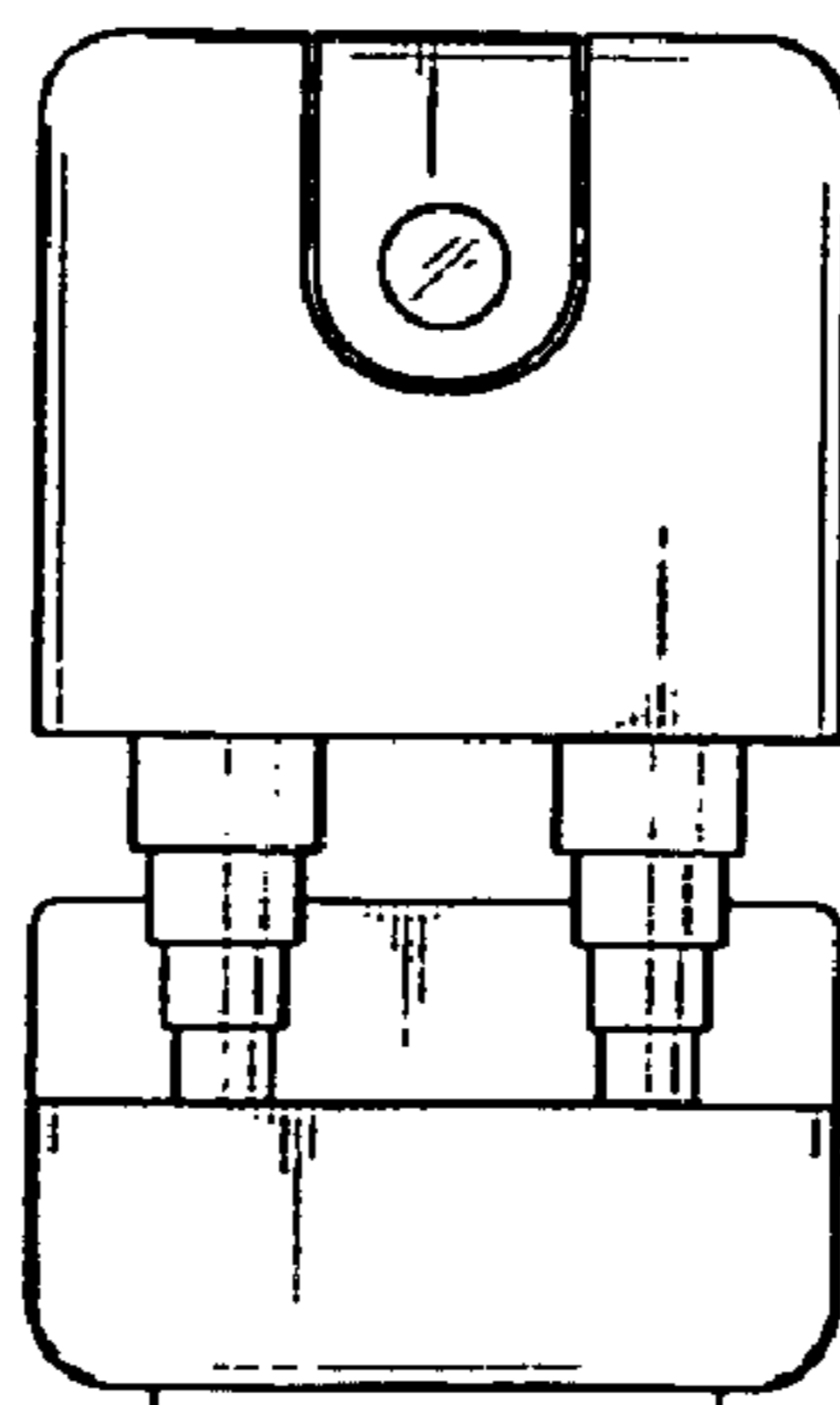


FIG. 4

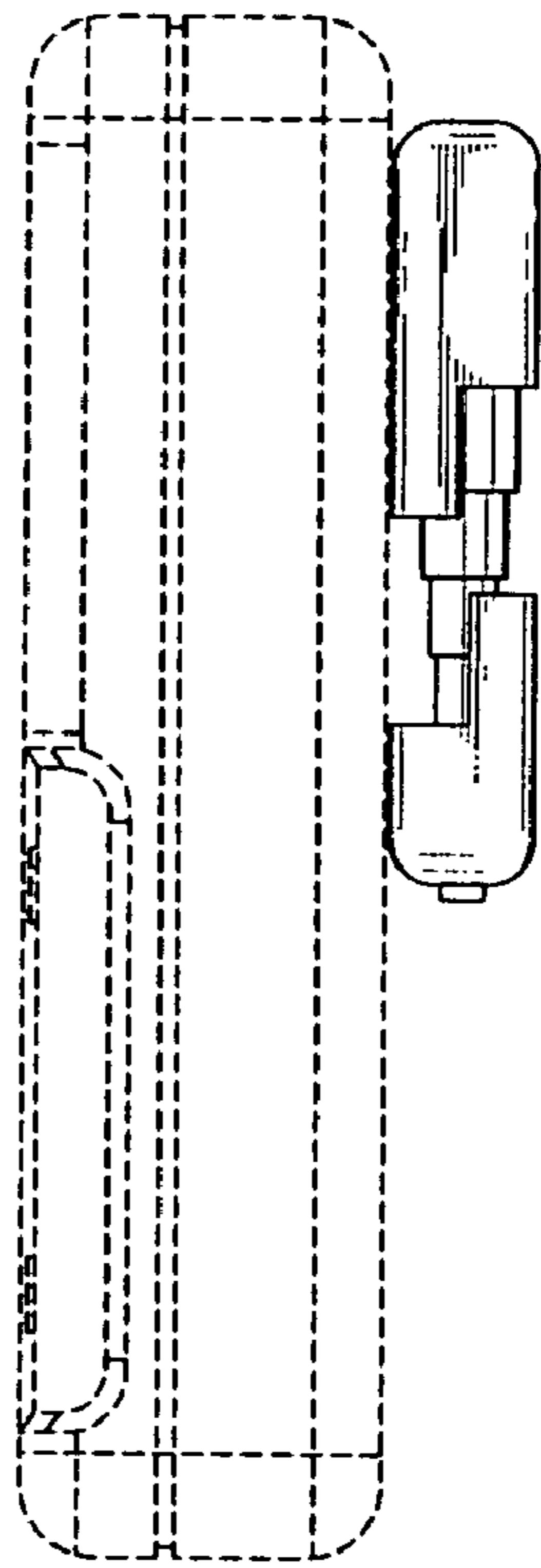


FIG. 5

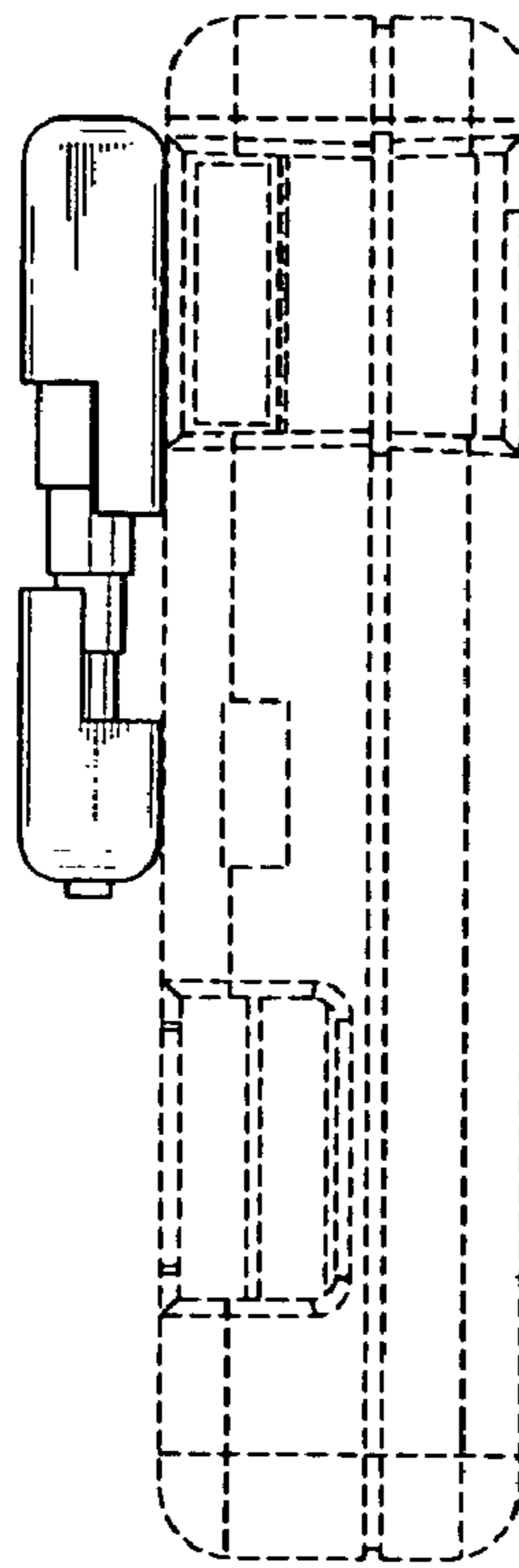


FIG. 6

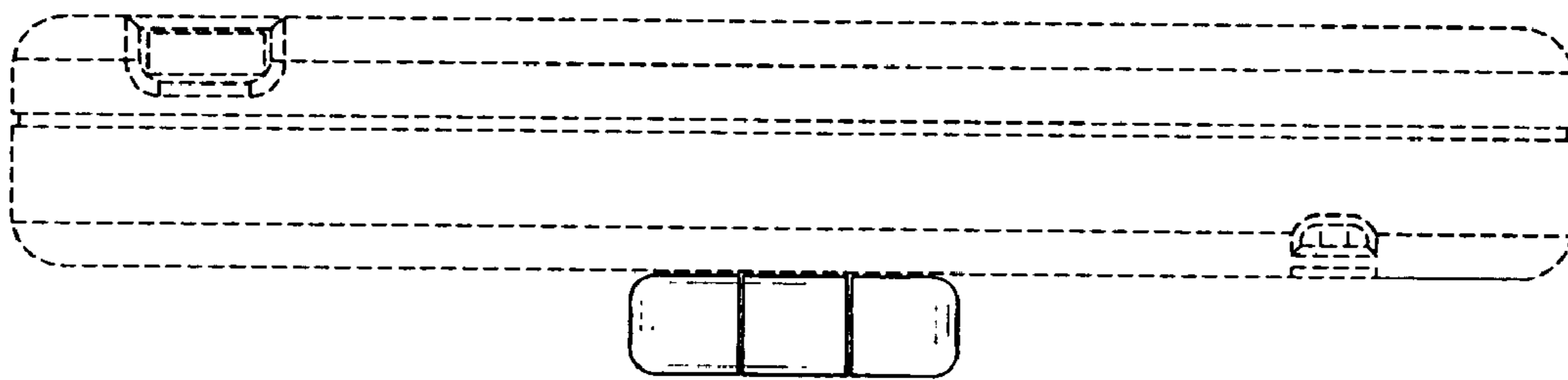


FIG. 7

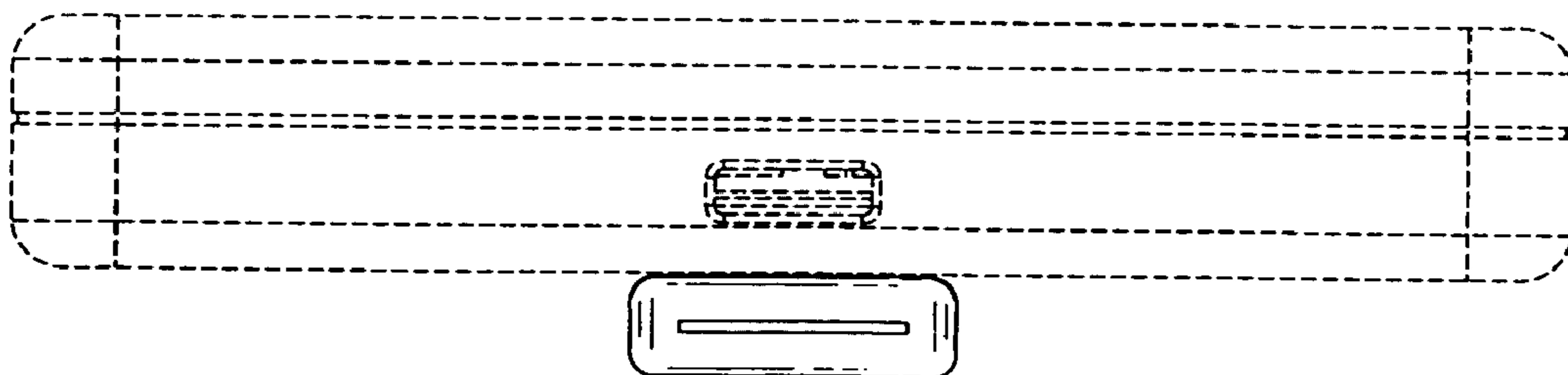


FIG. 8

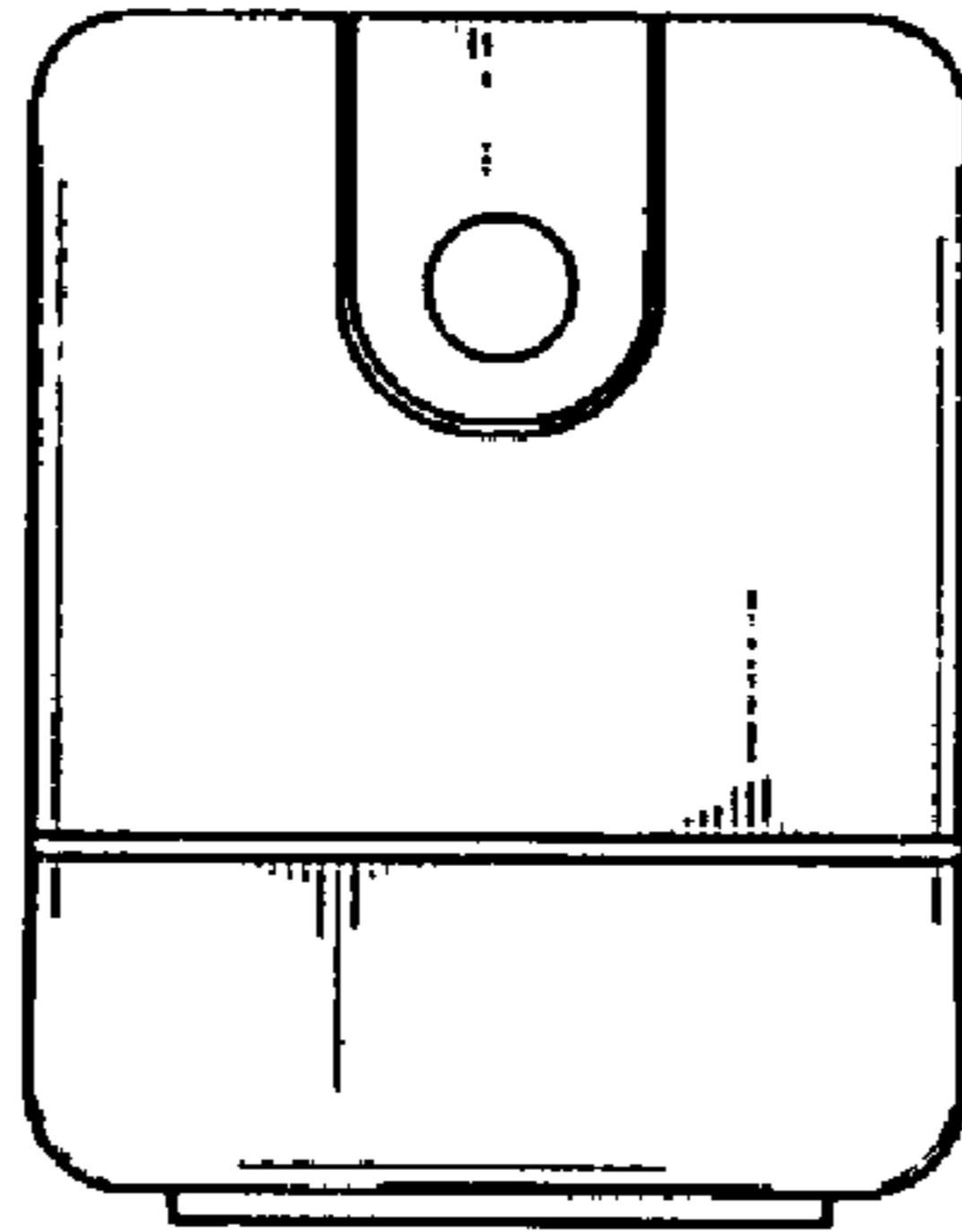
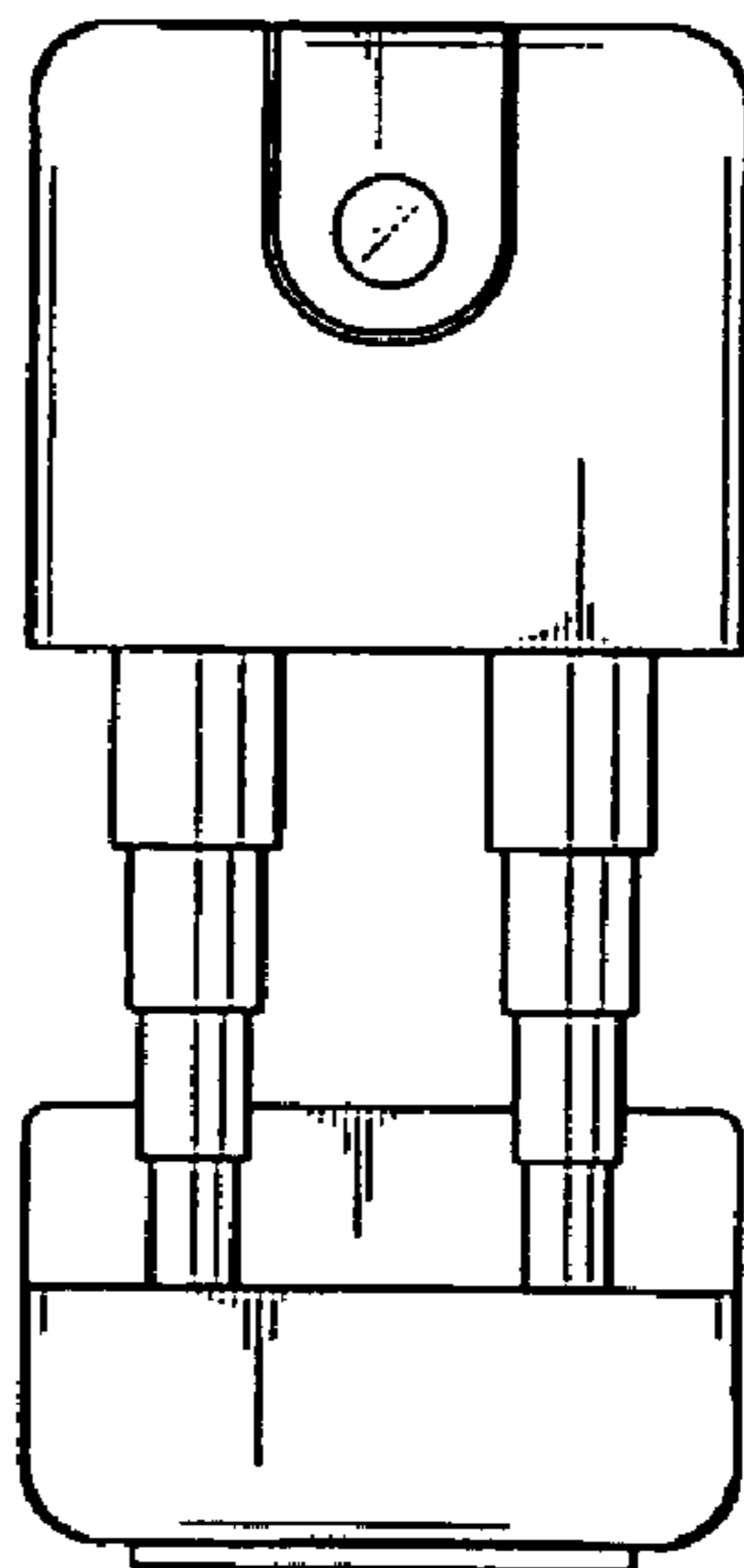


FIG. 9



UNITED STATES PATENT AND TRADEMARK OFFICE
CERTIFICATE OF CORRECTION

PATENT NO. : D592,760 S
APPLICATION NO. : 29/268131
DATED : May 19, 2009
INVENTOR(S) : Alexander M. Diener et al.

Page 1 of 1

It is certified that error appears in the above-identified patent and that said Letters Patent is hereby corrected as shown below:

On the Title page:

On the Title page, located in the Description (right hand column), delete the portion of text reading "10/610,645" and replace with --29/268,170--.

On the Title page, located in the Description (right hand column), delete the portion of text reading "10/610,769" and replace with --11/590,010--.

On the Title page, located in the Description (right hand column), delete the portion of text reading "10/612,310" and replace with --11/590,009--.

Signed and Sealed this
Twenty-eighth Day of December, 2010

A handwritten signature in black ink that reads "David J. Kappos". The signature is written in a cursive, slightly slanted style.

David J. Kappos
Director of the United States Patent and Trademark Office