



US00D592757S

(12) **United States Design Patent**  
**Le**

(10) **Patent No.:** **US D592,757 S**

(45) **Date of Patent:** **\*\* May 19, 2009**

(54) **PEDICURE SPA**

(76) Inventor: **Vinh Chi Le**, 9004 Westbay Blvd.,  
Tampa, FL (US) 33615

(\*\*) Term: **14 Years**

(21) Appl. No.: **29/301,769**

(22) Filed: **Mar. 14, 2008**

(51) **LOC (9) Cl.** ..... **24-02**

(52) **U.S. Cl.** ..... **D24/213; D24/204**

(58) **Field of Classification Search** ..... D24/200–205,  
D24/210–213; 607/44; 4/622, 574.1; 601/154–158,  
601/160, 30–32; D28/56, 61  
See application file for complete search history.

(56) **References Cited**

**U.S. PATENT DOCUMENTS**

D424,819 S *	5/2000	Galati et al.	.....	D6/336
6,503,212 B2 *	1/2003	Park	.....	601/158
D498,599 S *	11/2004	Luong	.....	D6/336
D526,505 S *	8/2006	Gruenwald et al.	.....	D6/381
D541,060 S *	4/2007	Fugate et al.	.....	D6/335
D568,485 S *	5/2008	Ton	.....	D24/204
D574,502 S *	8/2008	Ton	.....	D24/204

2007/0226897 A1\* 10/2007 Fugate ..... 4/622

\* cited by examiner

*Primary Examiner*—Cathron C Brooks

*Assistant Examiner*—Melanie Levy

(74) *Attorney, Agent, or Firm*—Pennington, Moore,  
Wilkinson, Bell & Dunbar, P.A.; Sidney W. Kilgore

(57) **CLAIM**

The ornamental design for a pedicure spa, as shown.

**DESCRIPTION**

FIG. 1 is a front view of a ‘pedicure spa’ showing the new design of the applicant;

FIG. 2 is a rear view of thereof;

FIG. 3 is a right side view thereof;

FIG. 4 is a left side view thereof;

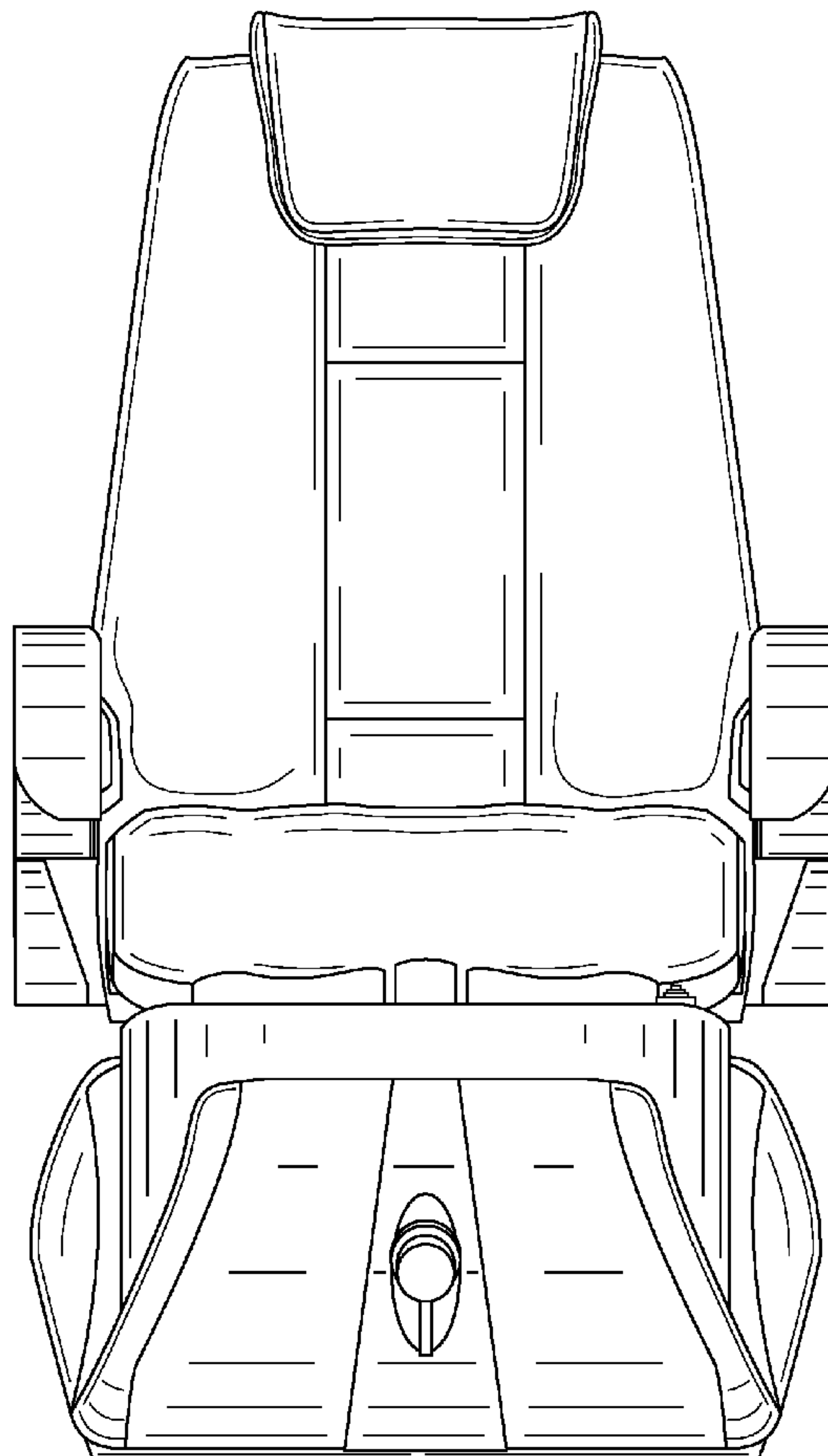
FIG. 5 is a top plan view thereof;

FIG. 6 is a bottom plan view thereof; and,

FIG. 7 is a perspective view thereof.

The broken lines shown in the drawings represent unclaimed portions of the design and form no part thereof.

**1 Claim, 6 Drawing Sheets**



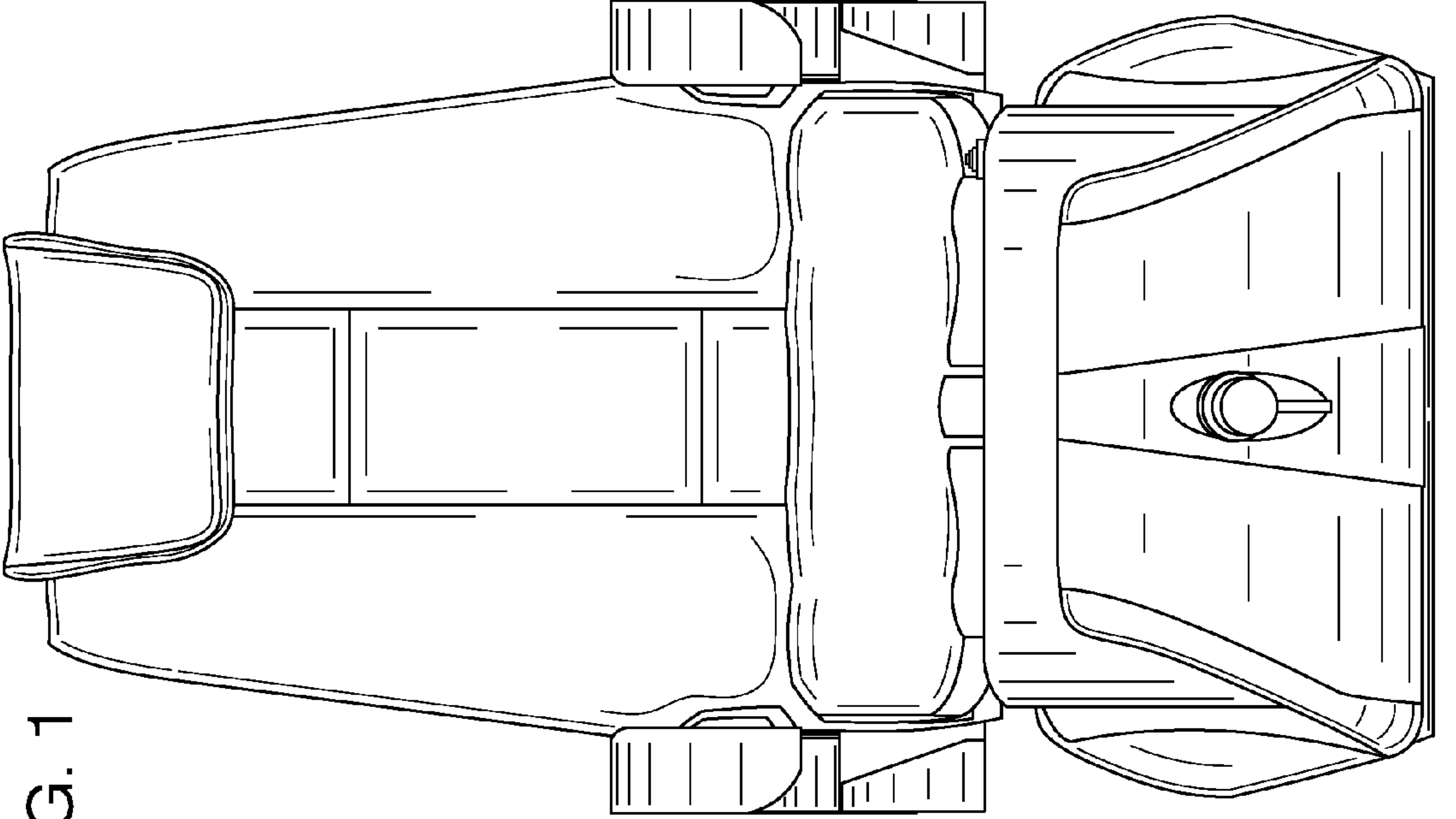
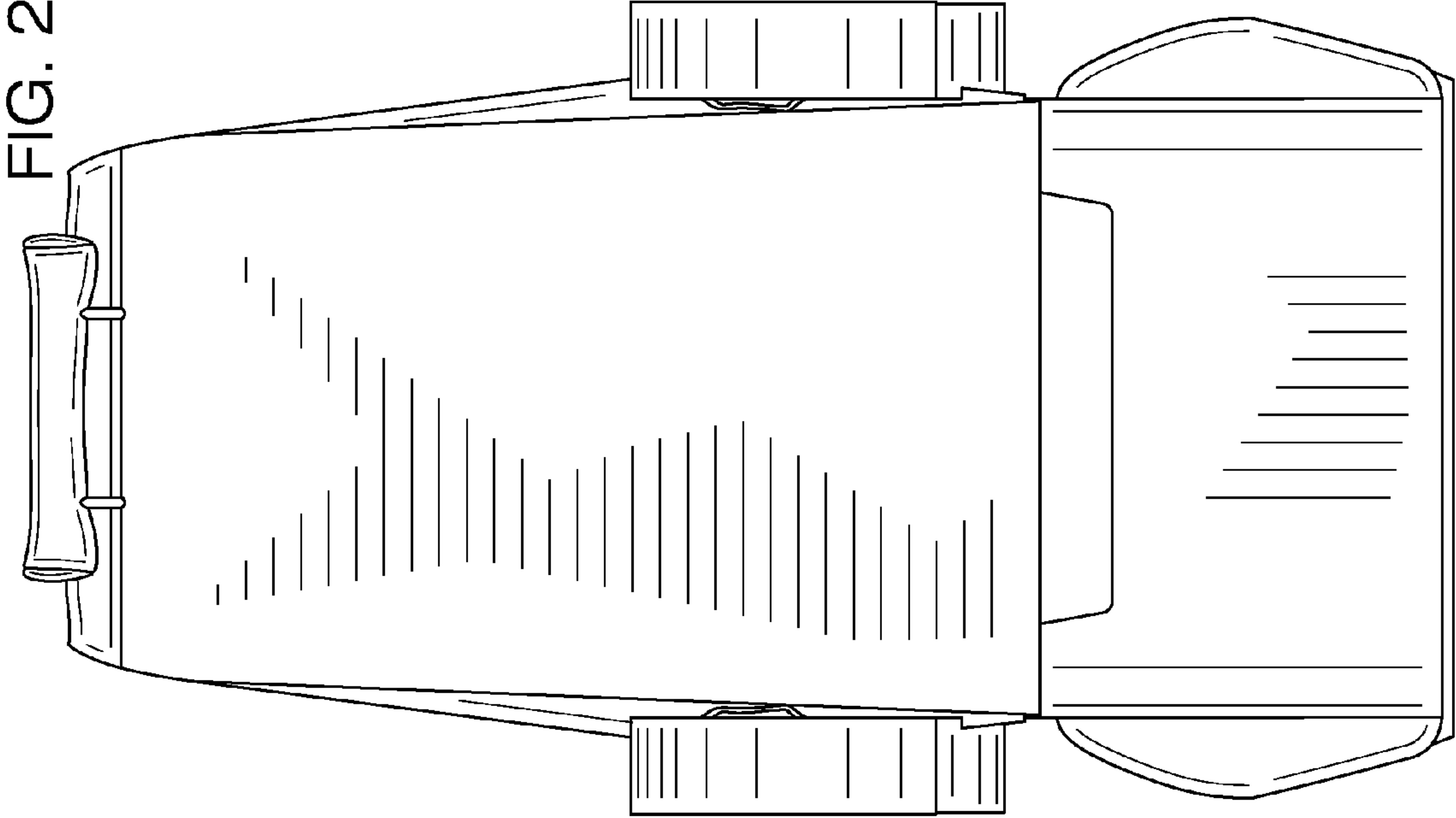


FIG. 1

FIG. 2

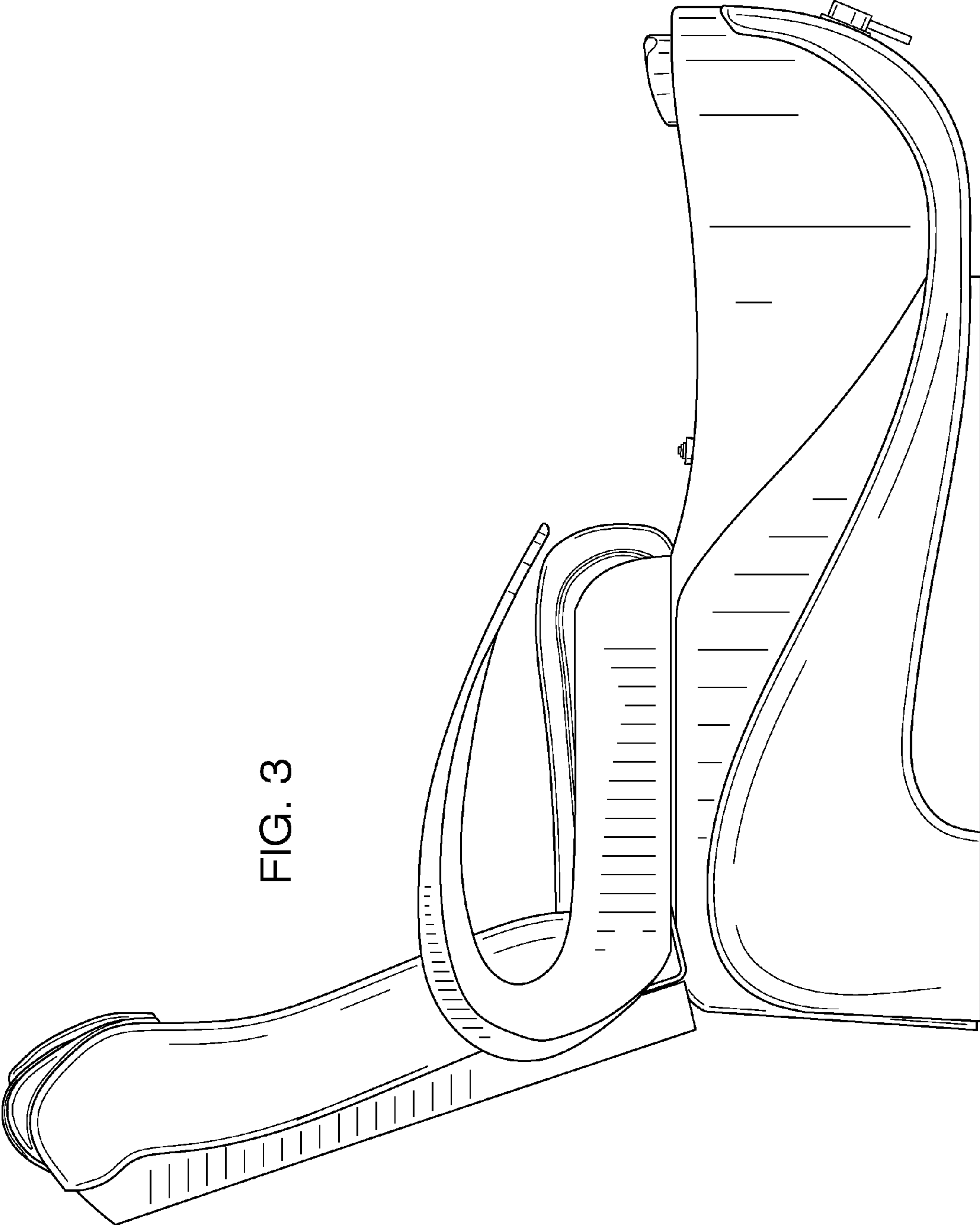


FIG. 3

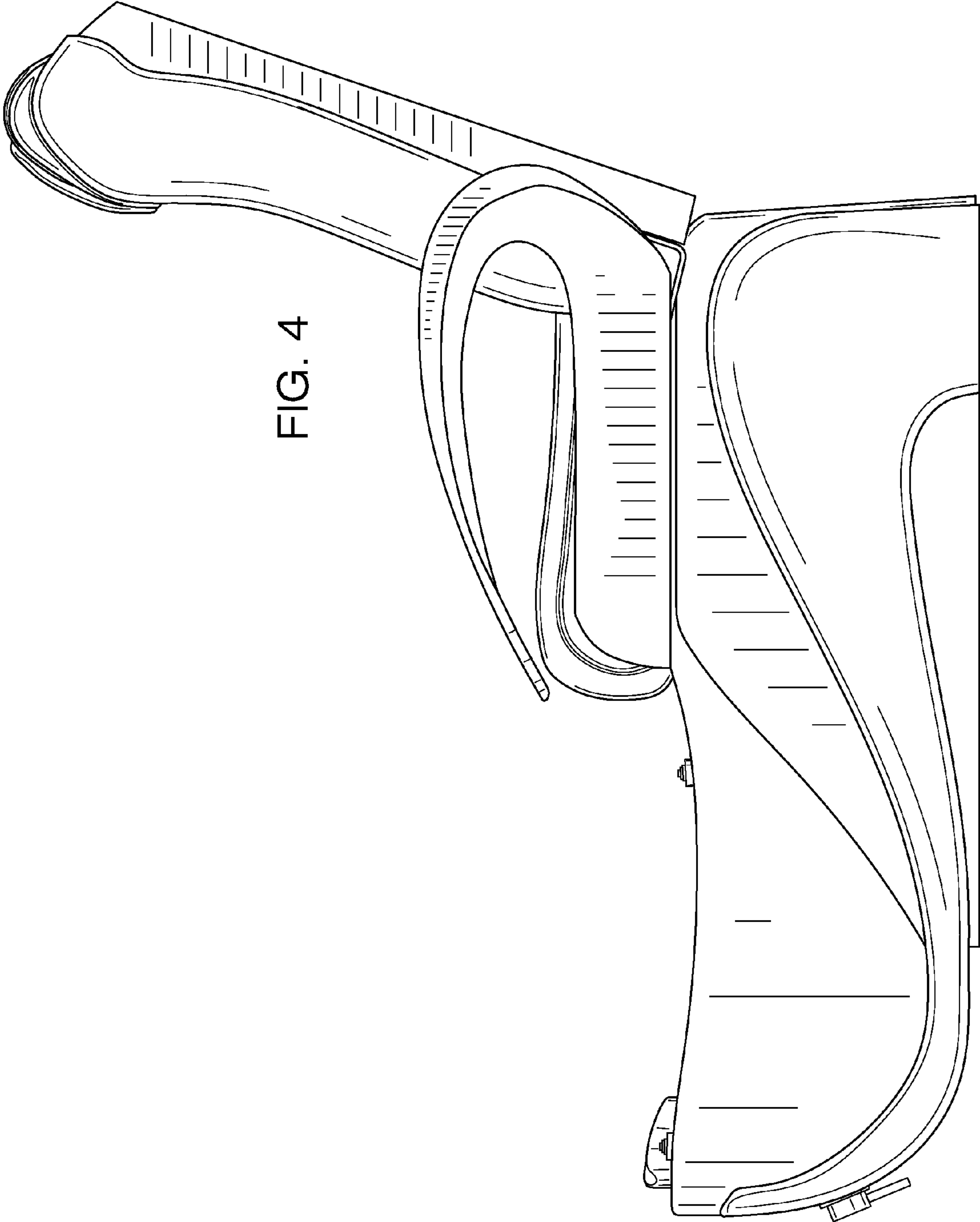
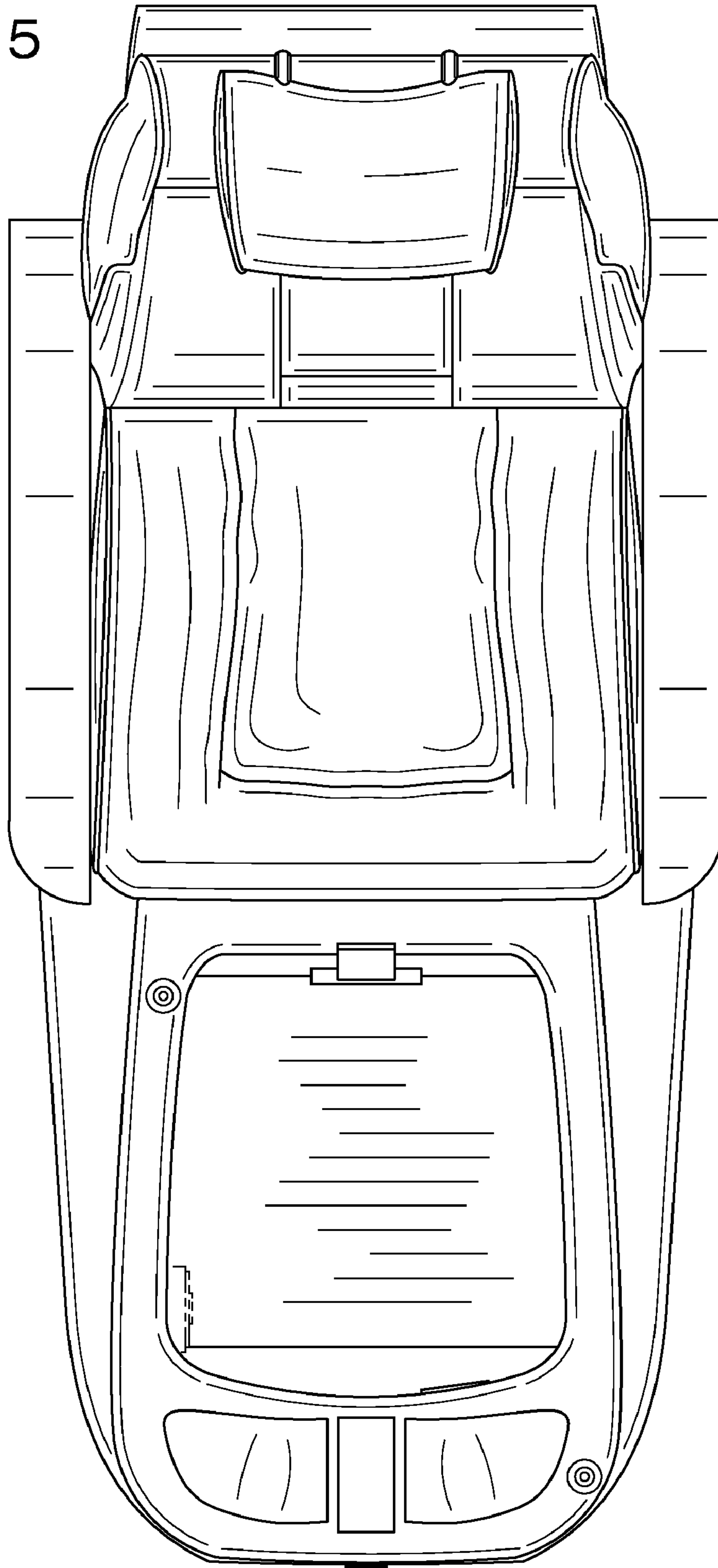


FIG. 4

FIG. 5



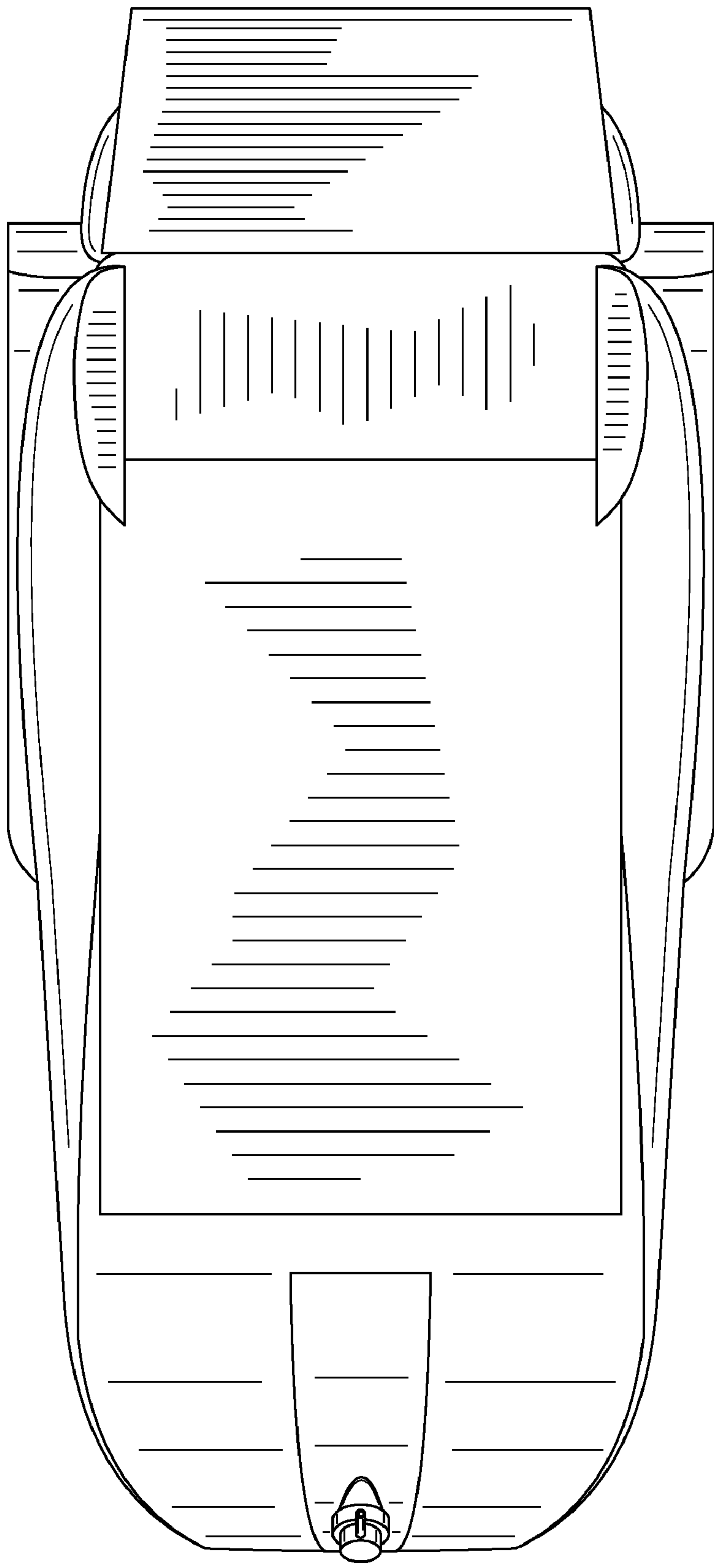


FIG. 6



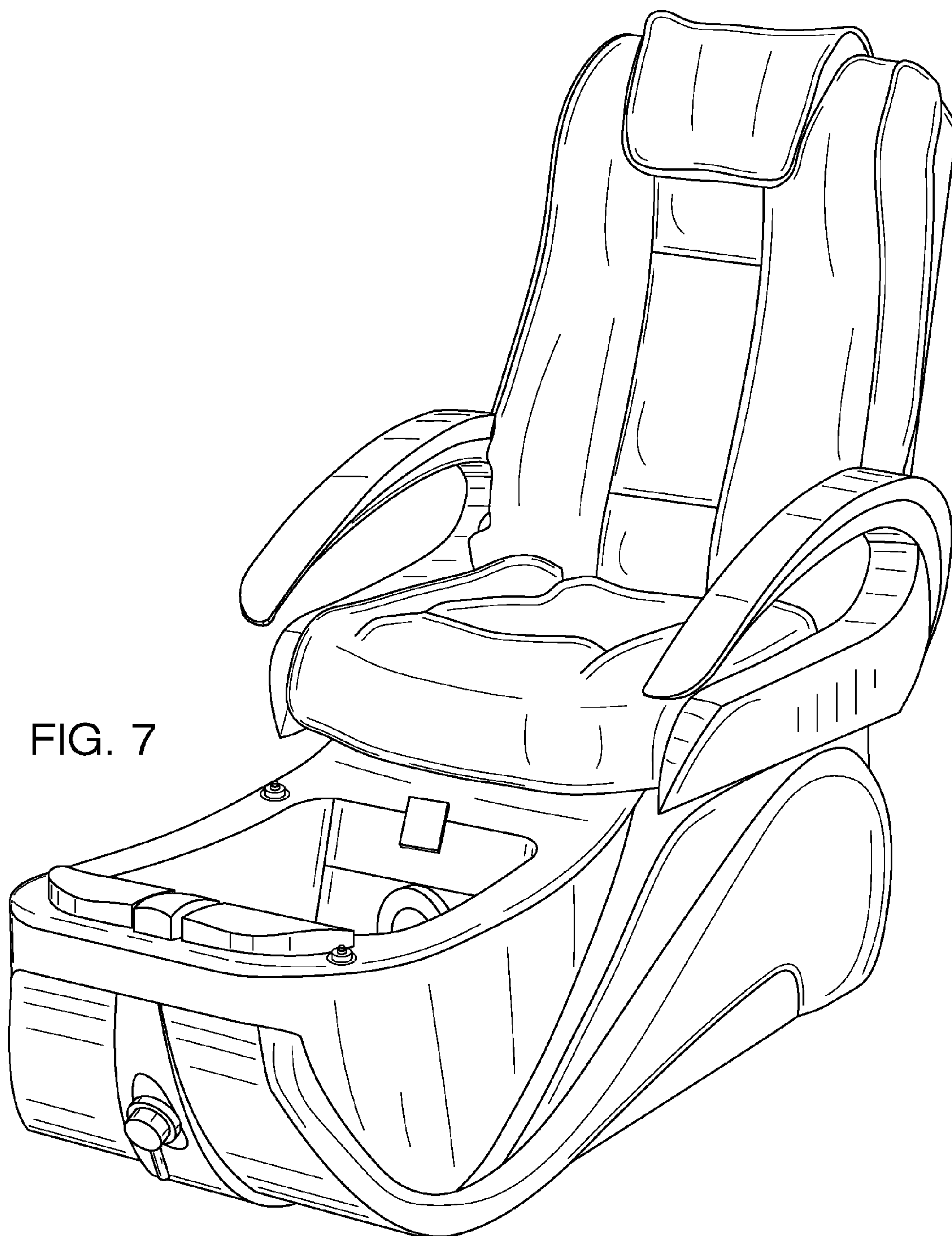


FIG. 7