



US00D592754S

(12) **United States Design Patent**
Koike et al.

(10) **Patent No.:** **US D592,754 S**
(45) **Date of Patent:** **** May 19, 2009**

(54) **VITAL SIGNS MONITOR**

(75) Inventors: **Tadashi Koike**, Kyoto (JP); **Yukiko Mitsunami**, Otsu (JP); **Takashi Shigeno**, Kawasaki (JP); **Kazuya Andachi**, Tokyo (JP); **Hisashi Ito**, Konan (JP); **Ayumu Okada**, Kyoto (JP); **Teruaki Hasegawa**, Omihachiman (JP)

D475,137 S 5/2003 Manke et al.
D490,516 S * 5/2004 Takahashi et al. D24/107
D491,270 S 6/2004 Barker
D512,151 S * 11/2005 Ward et al. D24/186
D536,793 S * 2/2007 Assad et al. D24/185
D536,795 S 2/2007 Knieriem et al.
D549,831 S * 8/2007 Ward et al. D24/186
2008/0281168 A1 * 11/2008 Gibson et al. 600/301

(73) Assignee: **Omron Healthcare Co., Ltd.**, Kyoto (JP)

(**) Term: **14 Years**

(21) Appl. No.: **29/317,653**

(22) Filed: **May 2, 2008**

(30) **Foreign Application Priority Data**

Nov. 13, 2007 (JP) 2007-031356

(51) **LOC (9) Cl.** **24-02**

(52) **U.S. Cl.** **D24/186**

(58) **Field of Classification Search** D24/107,
D24/111, 164-165, 168-169, 185-187; 600/301,
600/481, 483-485, 509, 513, 519, 544
See application file for complete search history.

(56) **References Cited**

U.S. PATENT DOCUMENTS

D303,255 S 9/1989 Bratasevec
D328,645 S 8/1992 Rogler et al.
D340,769 S * 10/1993 Bloom et al. D24/165
D383,688 S 9/1997 Abrams
D392,043 S * 3/1998 Cooper et al. D24/186
D393,072 S 3/1998 Rogler
D395,513 S 6/1998 Rogler
D398,293 S 9/1998 Lindblom
5,931,791 A * 8/1999 Saltzstein et al. 600/513
D414,870 S * 10/1999 Saltzstein et al. D24/186
D427,315 S * 6/2000 Saltzstein et al. D24/186
D445,189 S 7/2001 Cannon et al.
D454,954 S 3/2002 Cannon et al.
D460,559 S * 7/2002 Knieriem et al. D24/186

FOREIGN PATENT DOCUMENTS

JP D 879417 9/1993
JP D 911789 11/1994

(Continued)

OTHER PUBLICATIONS

RD 000863741-0001, Pulse wave measuring instruments with sphygmanometers, Apr. 11, 2008.

(Continued)

Primary Examiner—T. Chase Nelson
Assistant Examiner—Mark Cavanna
(74) *Attorney, Agent, or Firm*—Capitol City TechLaw

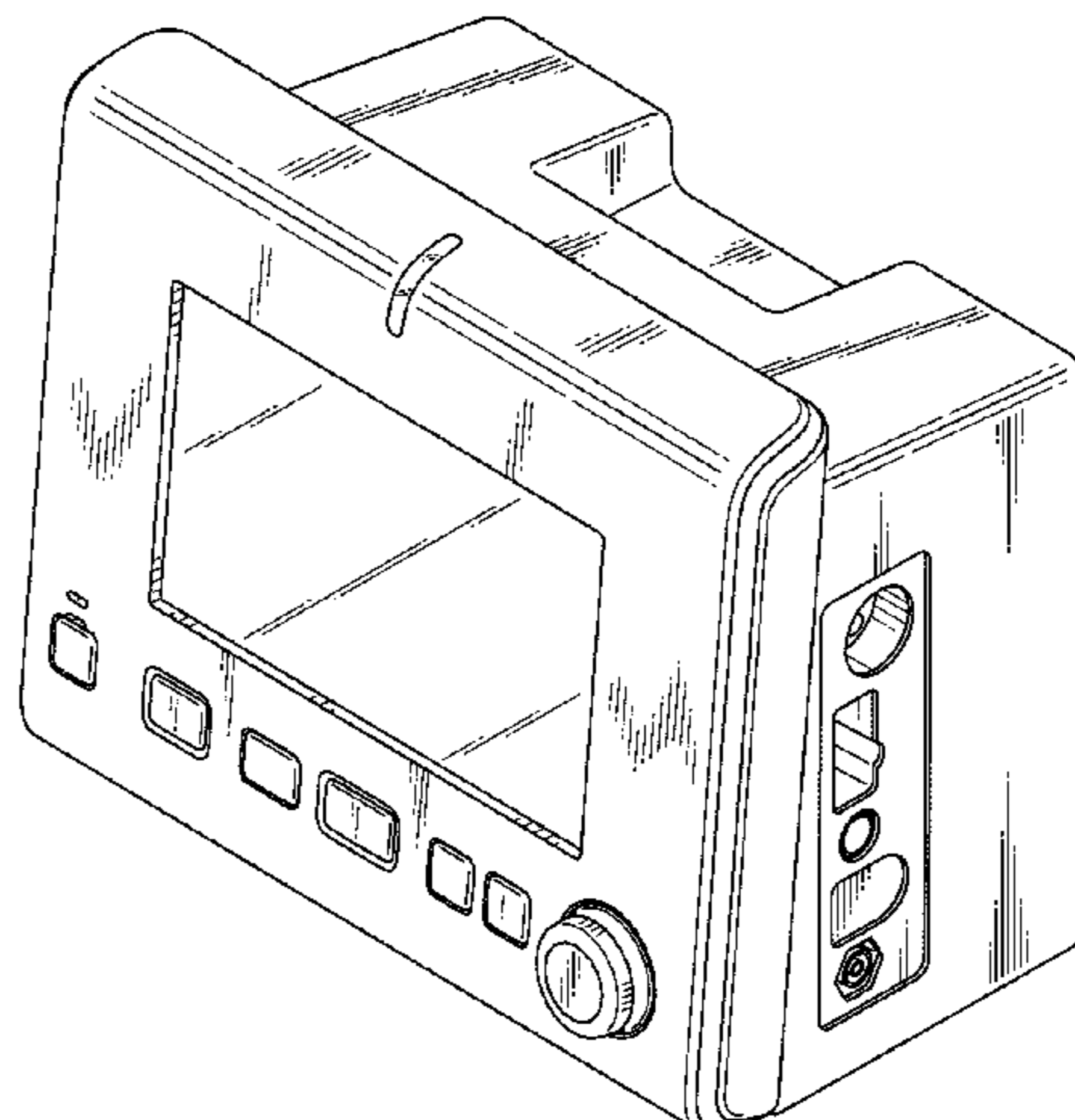
(57) **CLAIM**

The ornamental design for a vital signs monitor, as shown.

DESCRIPTION

FIG. 1 is a front, top, and right side perspective view of a vital signs monitor showing our new design;
FIG. 2 is rear, top, and left side perspective view thereof;
FIG. 3 is rear, bottom, and left side perspective view thereof;
FIG. 4 is front elevational view thereof;
FIG. 5 is a rear elevational view thereof;
FIG. 6 is a top plan view thereof;
FIG. 7 is a bottom plan view thereof;
FIG. 8 is a left side elevational view thereof; and,
FIG. 9 is a right side elevational view thereof.

1 Claim, 9 Drawing Sheets



US D592,754 S

Page 2

FOREIGN PATENT DOCUMENTS

JP	D 972061	1/1997
JP	D 1043856	7/1999
JP	D 1073894	6/2000
JP	D 1107948	5/2001
JP	D 1127163	11/2001
JP	D 1188486	10/2003
JP	D 1191526	12/2003
JP	D 1202502	4/2004
JP	D 1216915	9/2004
JP	D 1240490	5/2005
JP	D 1240491	5/2005
JP	D 1255996	11/2005

JP	D 1314622	11/2007
JP	D 1314623	11/2007
RU	63055	6/2007
SE	93-1042	11/1993

OTHER PUBLICATIONS

Omron Healthcare Co., Ltd. Brochure, Omron Healthcare Co., Ltd., Blood Pressure Pulse Wave Measurement Device, Form "BP-203RPE III", Apr. 23, 2008.

Koninklijke Philips Electronics N.V. Brochure, Koninklijke Philips Electronics N.V. Vital signs monitor "Sure Signs VS3", 2006.

* cited by examiner

FIG. 1

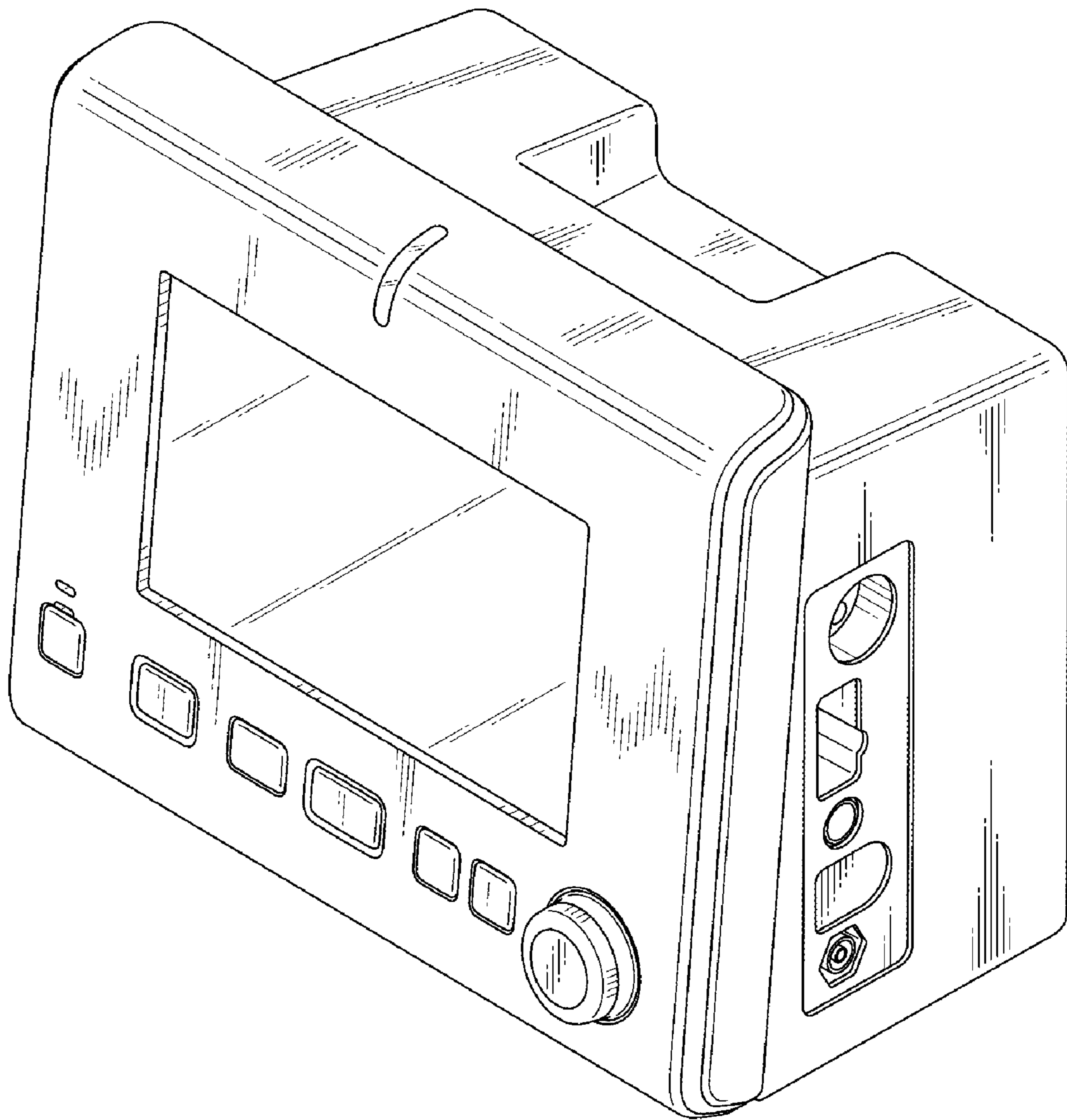


FIG. 2

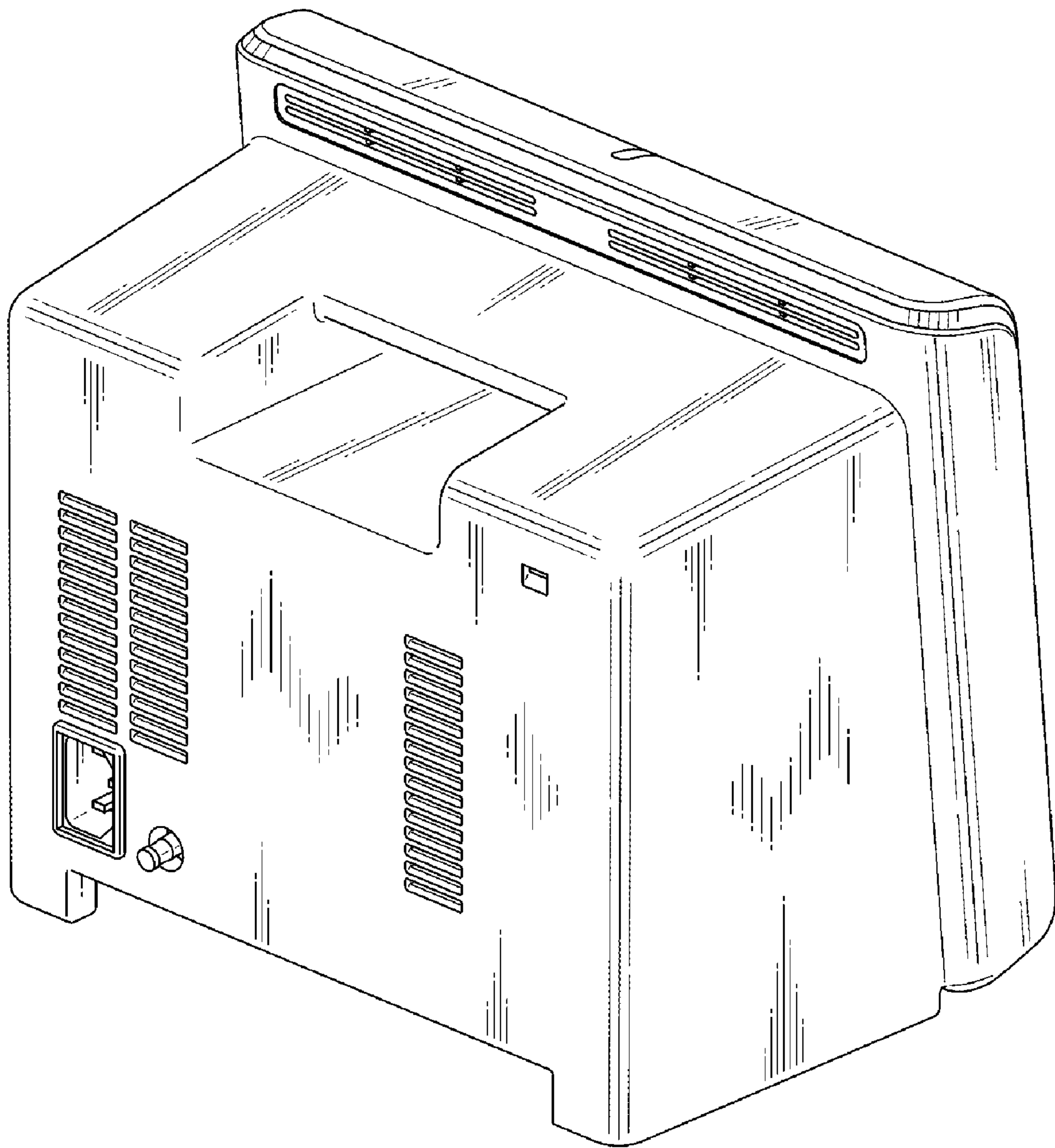


FIG. 3

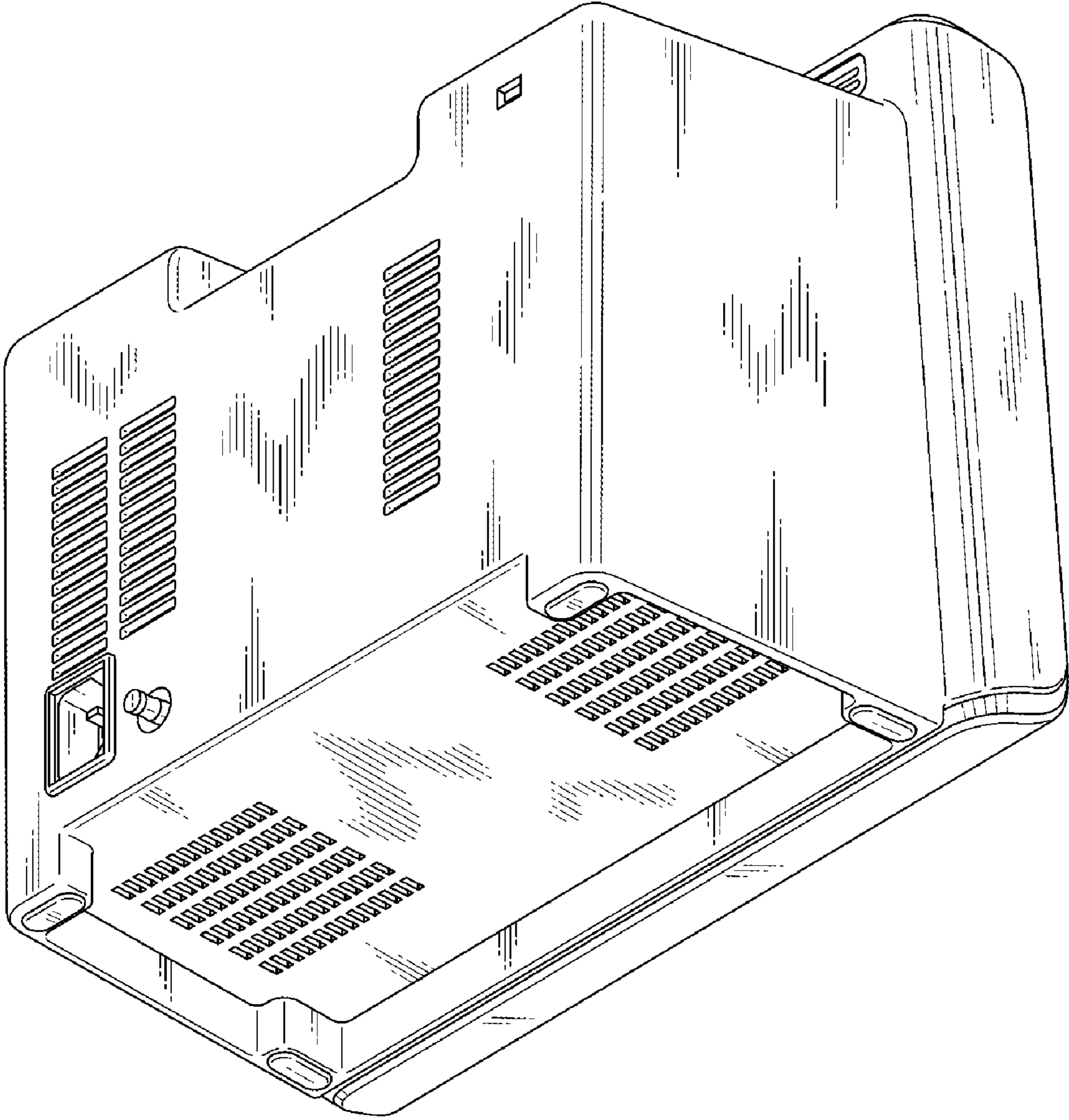


FIG.4

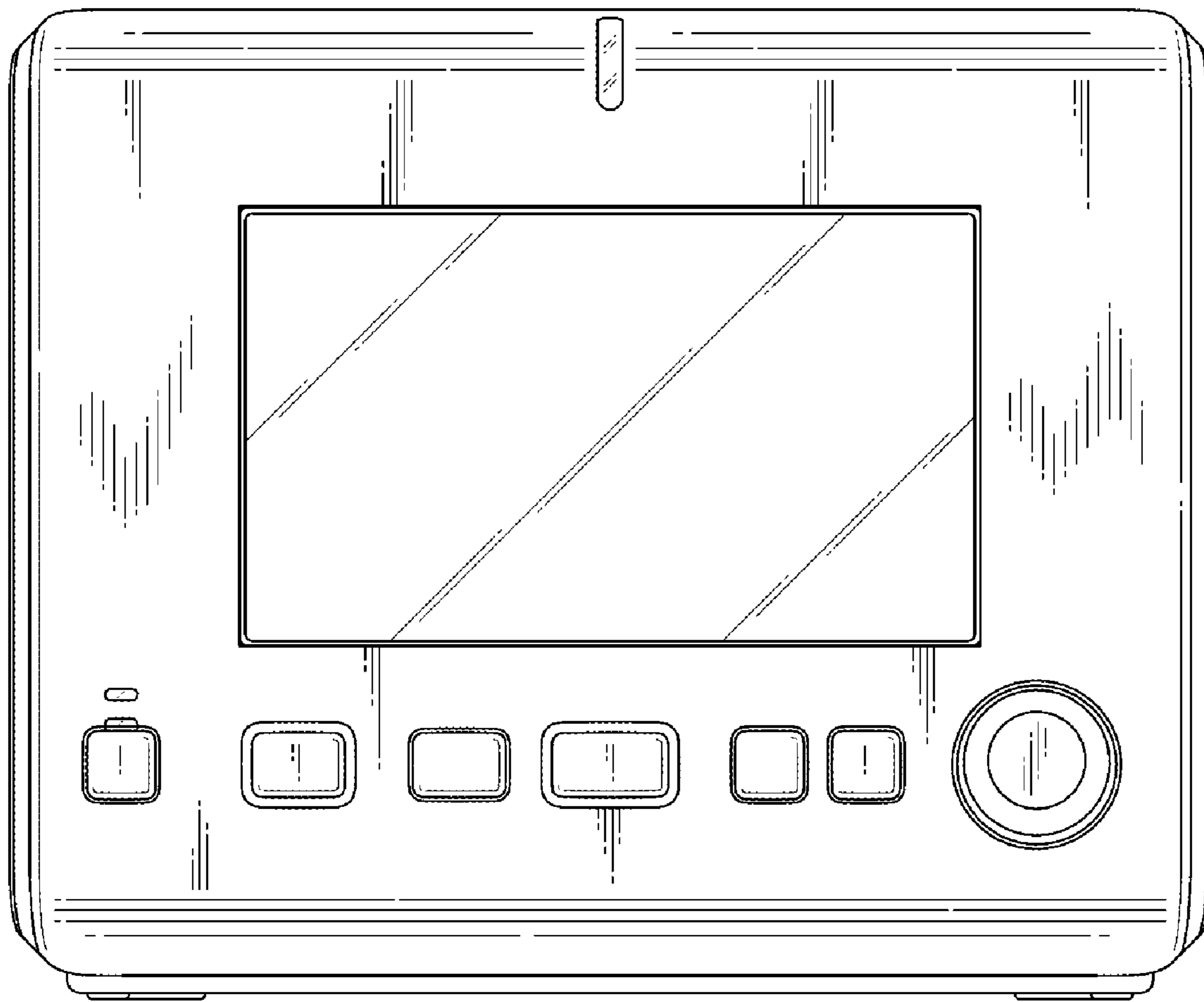


FIG. 5

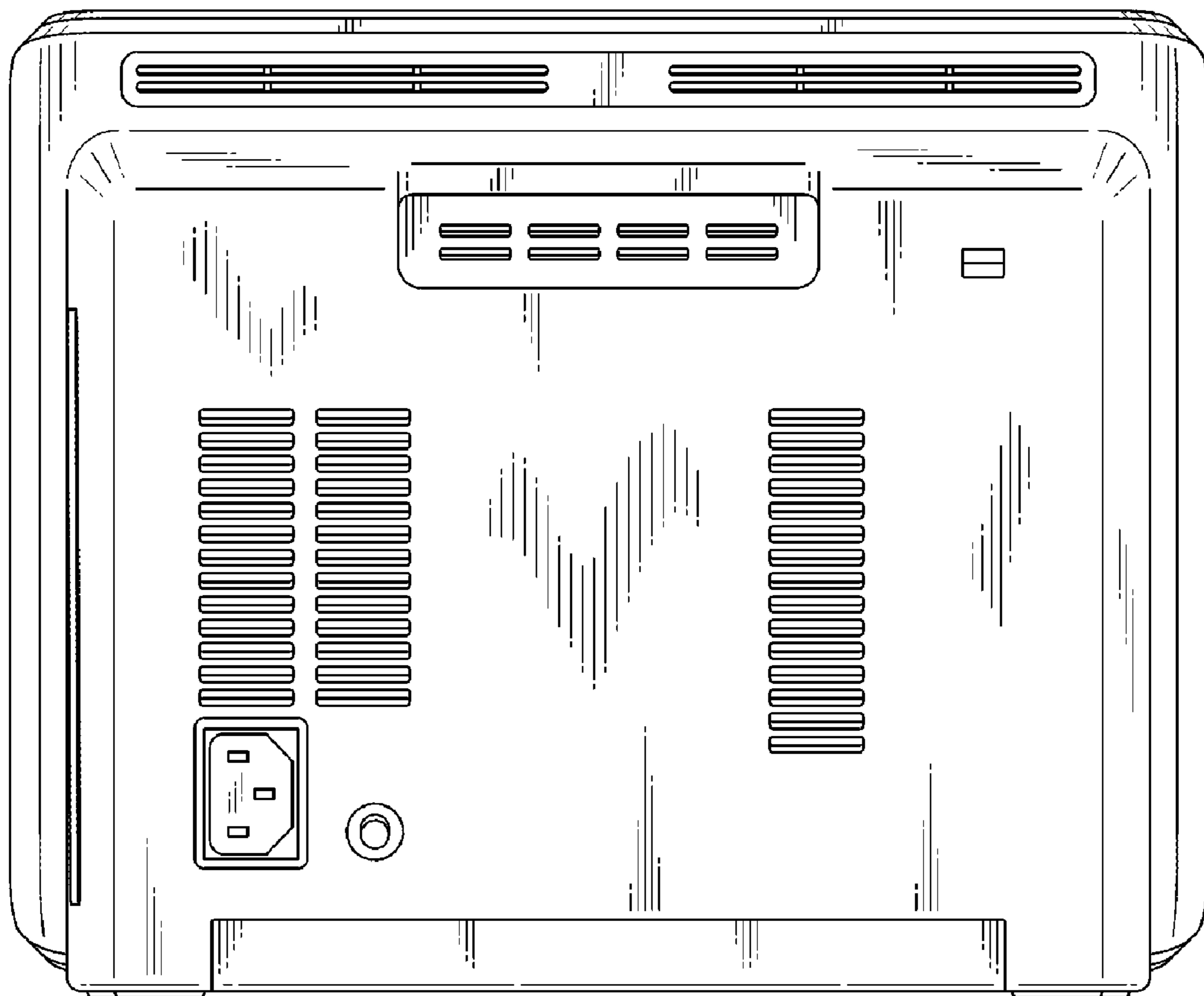


FIG .6

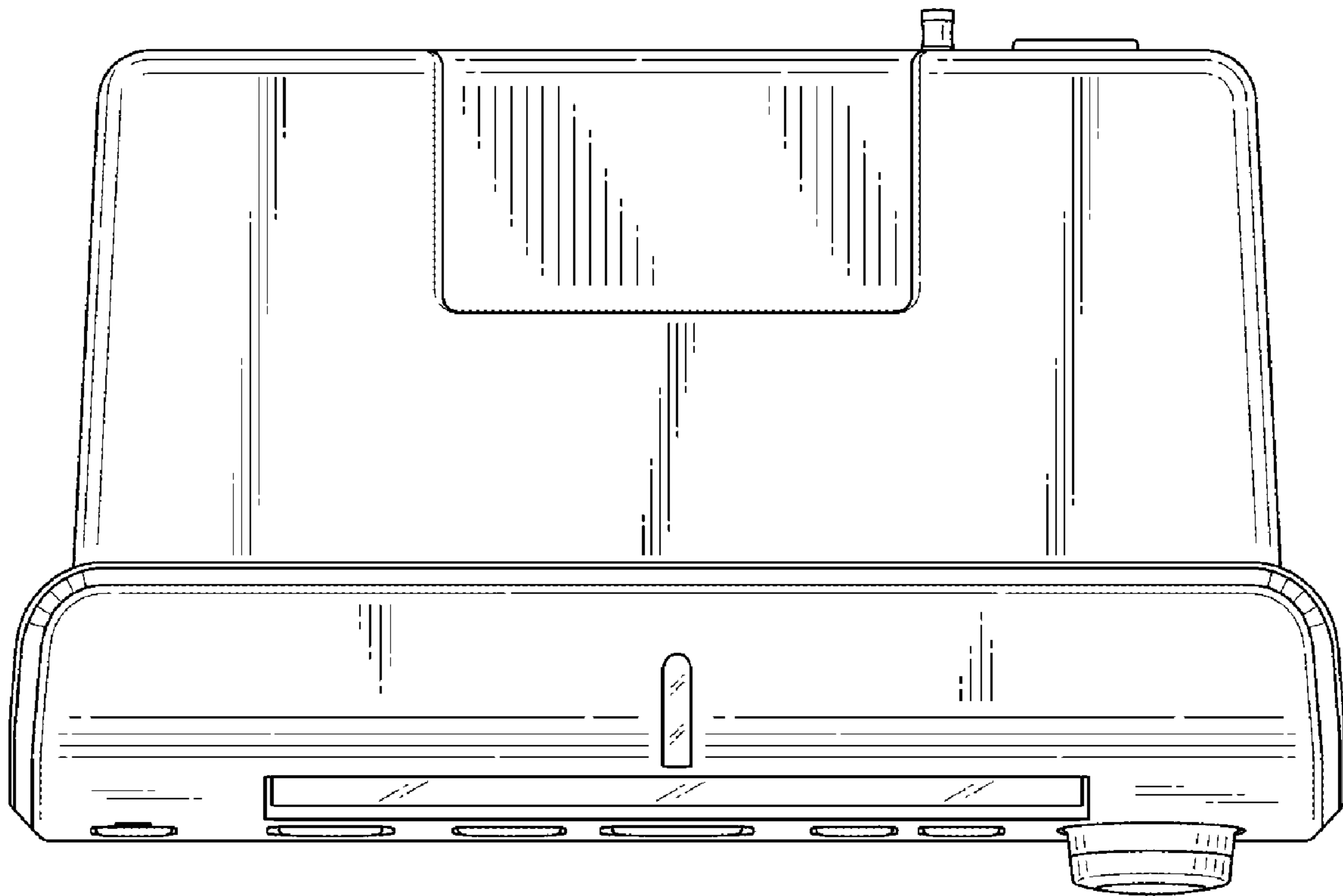


FIG. 7

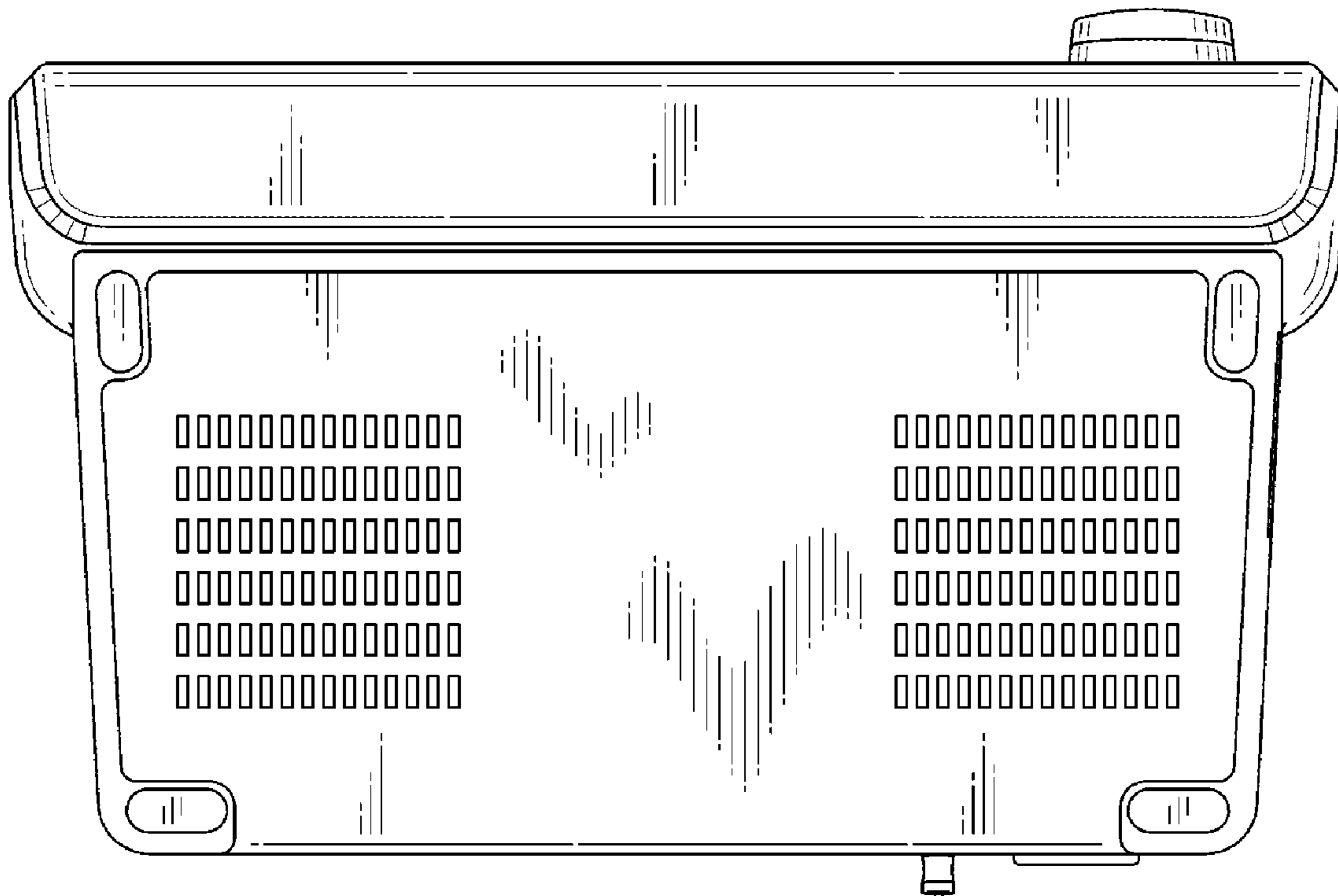


FIG .8

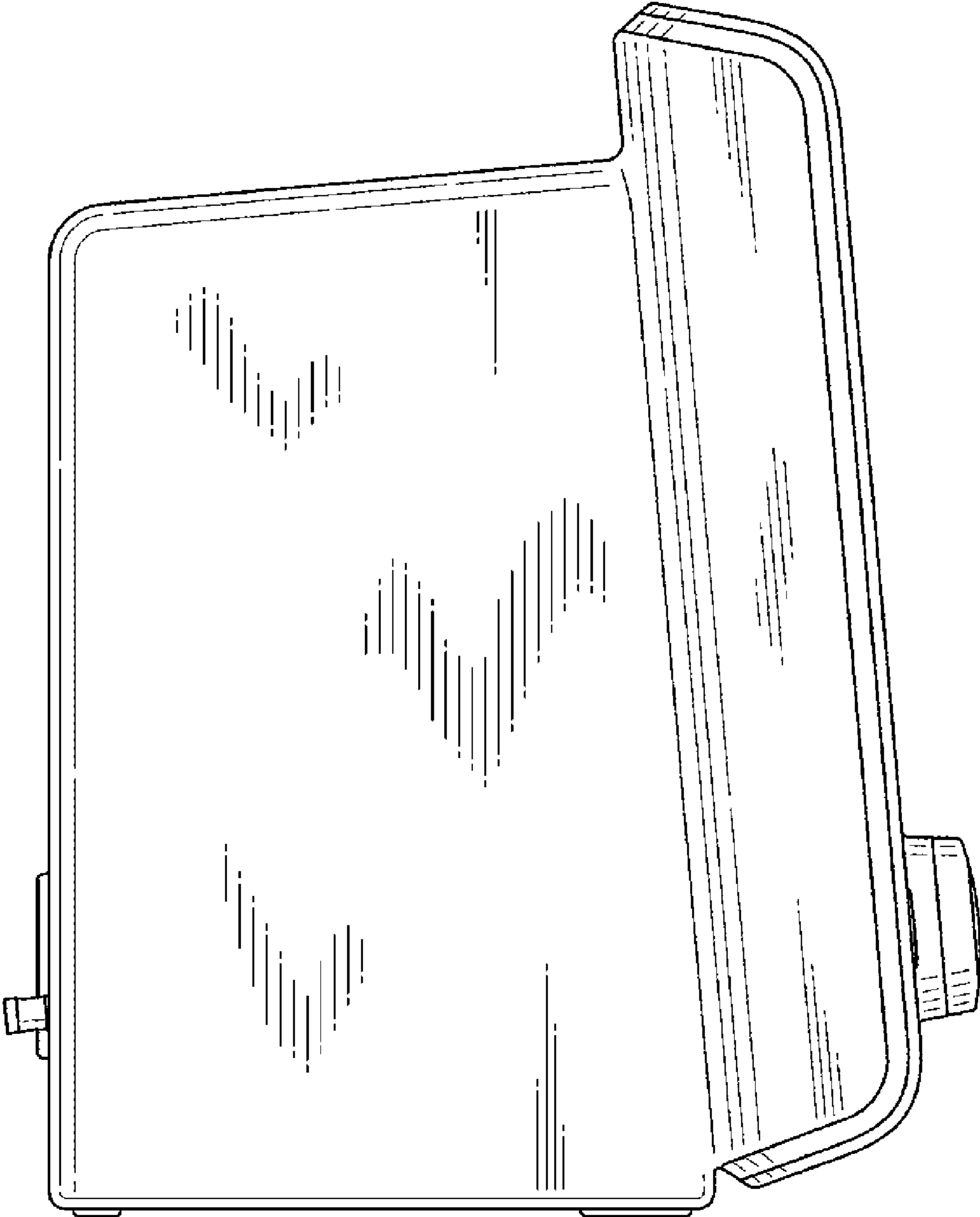


FIG. 9

