



US00D592751S

(12) **United States Design Patent**
Ninomiya et al.

(10) **Patent No.:** **US D592,751 S**
(45) **Date of Patent:** **** May 19, 2009**

(54) **RADIO FREQUENCY COIL FOR MAGNETIC RESONANCE IMAGING APPARATUS**

D399,958 S * 10/1998 Hiramatsu D24/158
D557,418 S * 12/2007 Onuma et al. D24/158

(75) Inventors: **Atsushi Ninomiya**, Kokubunji (JP);
Yoshimi Kasai, Kokubunji (JP);
Takahide Shimoda, Chiyoda (JP)

* cited by examiner

Primary Examiner—T. Chase Nelson
Assistant Examiner—Anhdao Doan

(73) Assignee: **Hitachi Medical Corporation**, Tokyo (JP)

(74) *Attorney, Agent, or Firm*—Antonelli, Terry, Stout & Kraus, LLP.

(**) Term: **14 Years**

(57) **CLAIM**

(21) Appl. No.: **29/318,340**

We claim the ornamental design for a radio frequency coil for magnetic resonance imaging apparatus, as shown and described.

(22) Filed: **May 19, 2008**

DESCRIPTION

(30) **Foreign Application Priority Data**

Nov. 20, 2007 (JP) 2007-031872

FIG. 1 is a front, top and right side perspective view of a radio frequency coil for magnetic resonance imaging apparatus showing our new design;

(51) **LOC (9) Cl.** **24-01**

FIG. 2 is a front elevational view thereof;

(52) **U.S. Cl.** **D24/158**

FIG. 3 is a rear side elevational view thereof;

(58) **Field of Classification Search** D24/158–161,
D24/183, 186; 378/4, 15, 17, 19, 20, 21–27;
600/409, 410, 425, 476

FIG. 4 is a left side elevational view thereof;

See application file for complete search history.

FIG. 5 is a right side elevational view thereof;

(56) **References Cited**

U.S. PATENT DOCUMENTS

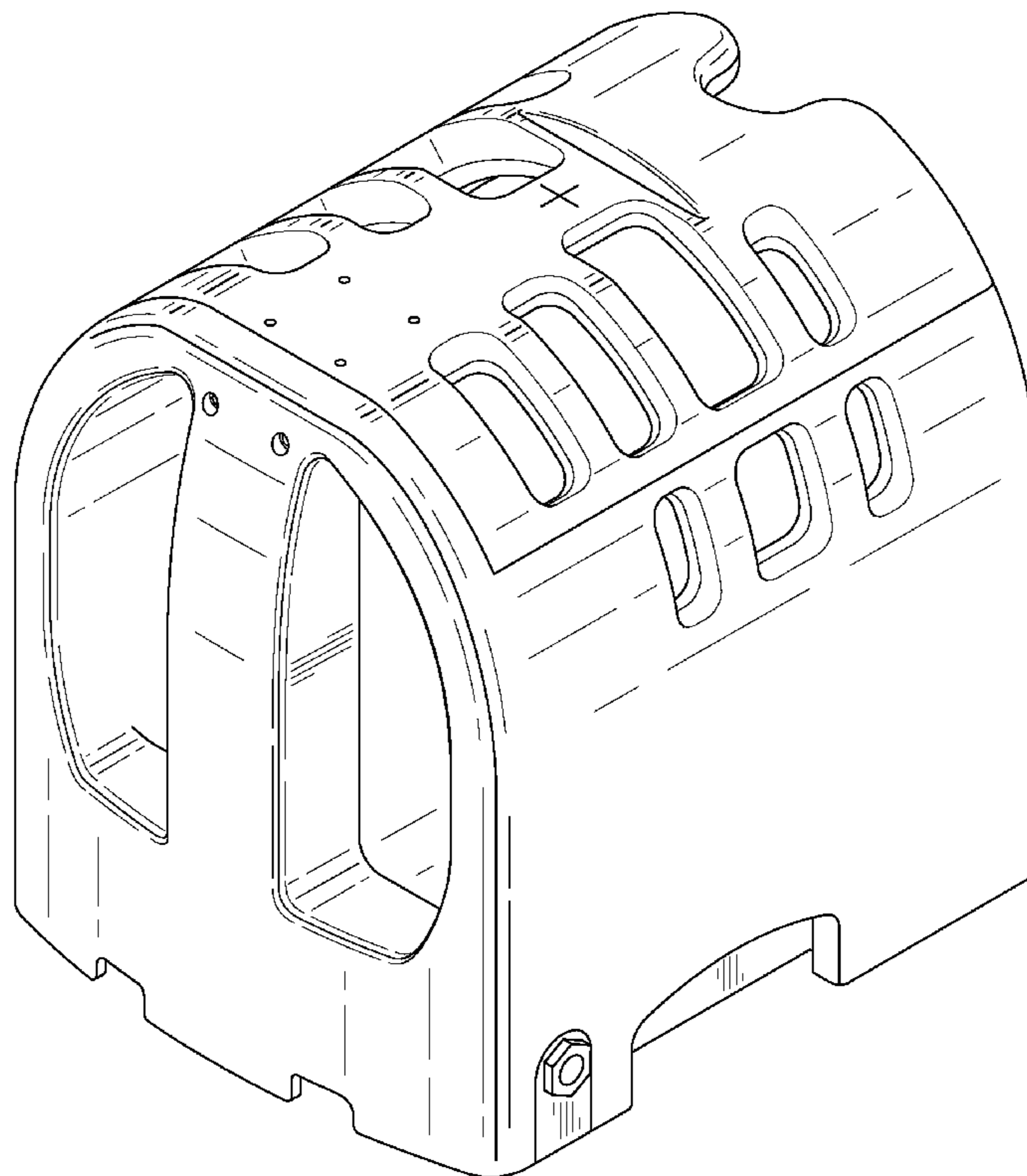
D283,729 S * 5/1986 Ramsey D24/158
D318,726 S * 7/1991 Takekoshi et al. D24/159
D323,711 S * 2/1992 Takekoshi et al. D24/159
D325,632 S * 4/1992 Kogane et al. D24/158

FIG. 6 is a top plan view thereof; and,

FIG. 7 is a bottom plan view thereof.

The broken lines in FIGS. 3 and 7 are included for the purpose of illustrating portions of the radio frequency coil for magnetic resonance imaging apparatus that form no part of the claimed design.

1 Claim, 7 Drawing Sheets



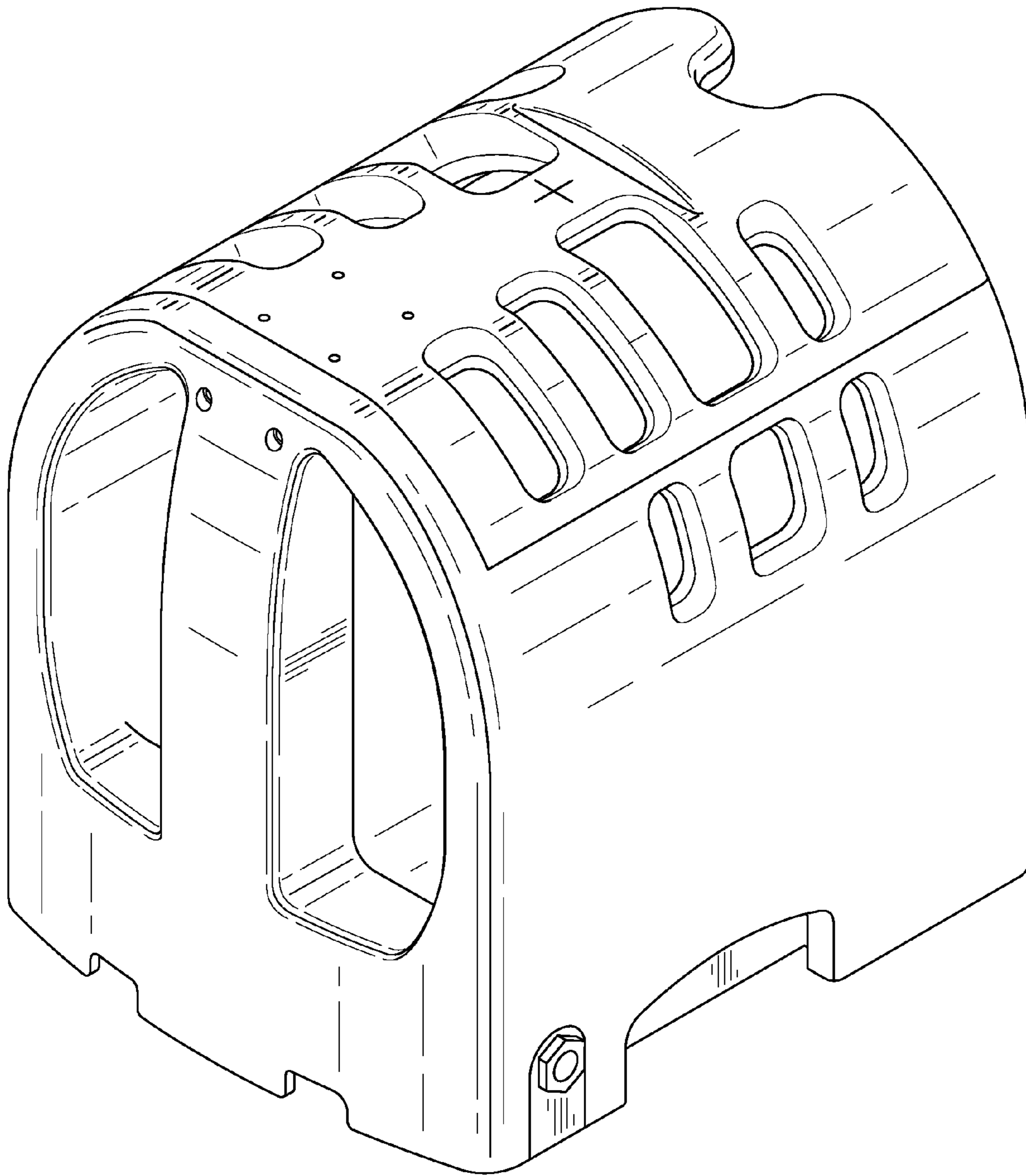


FIG. 1

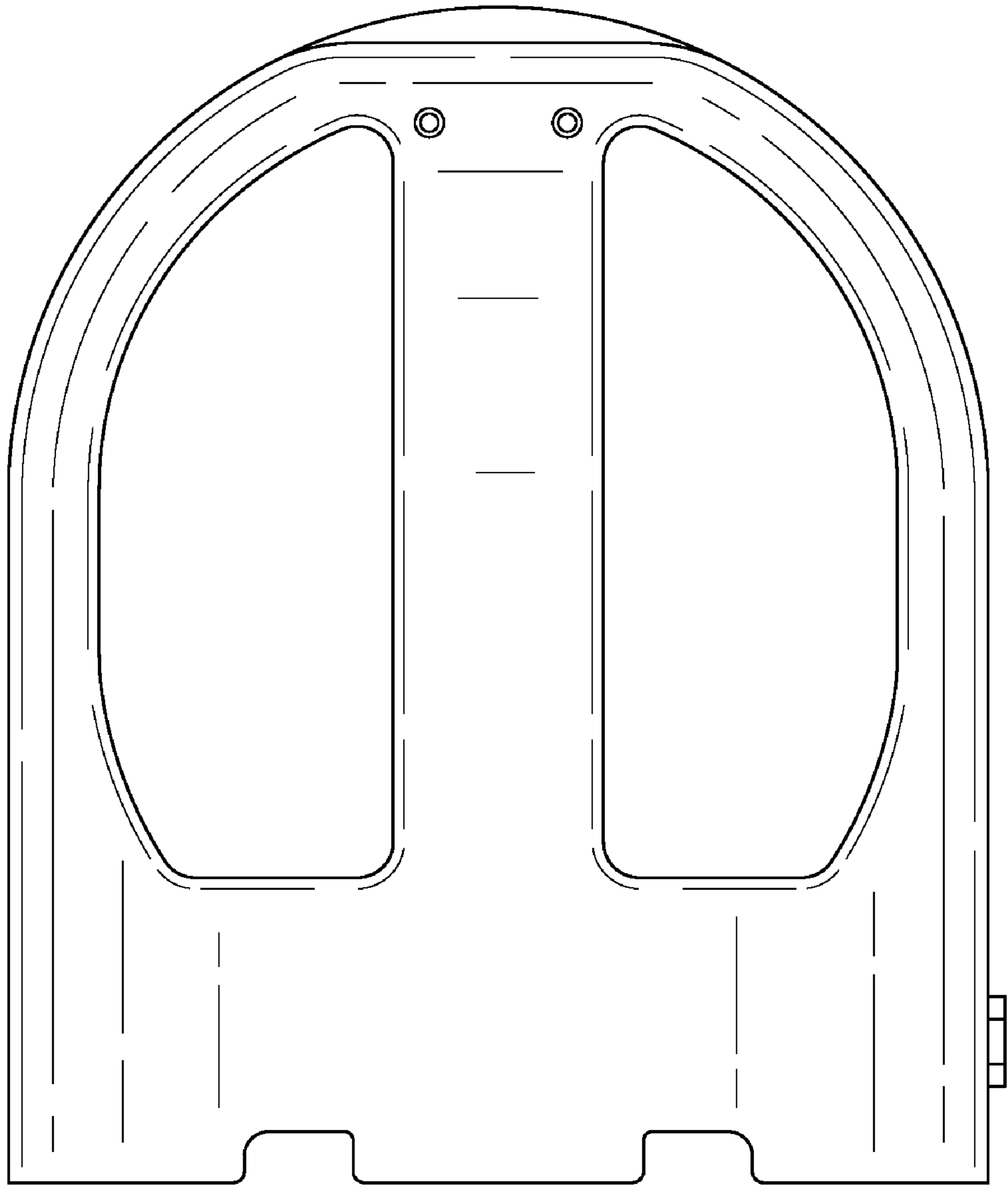


FIG. 2

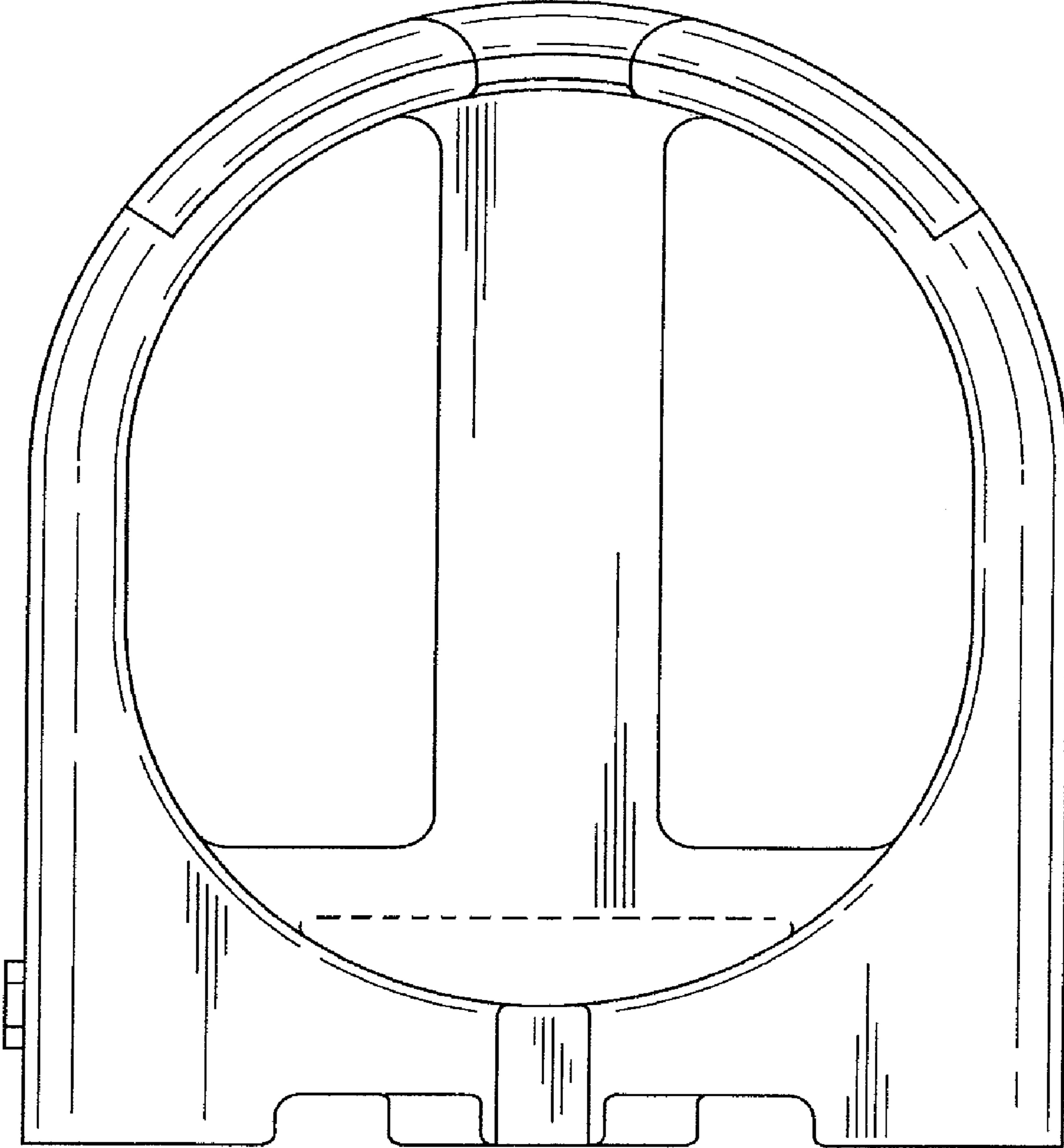


FIG. 3

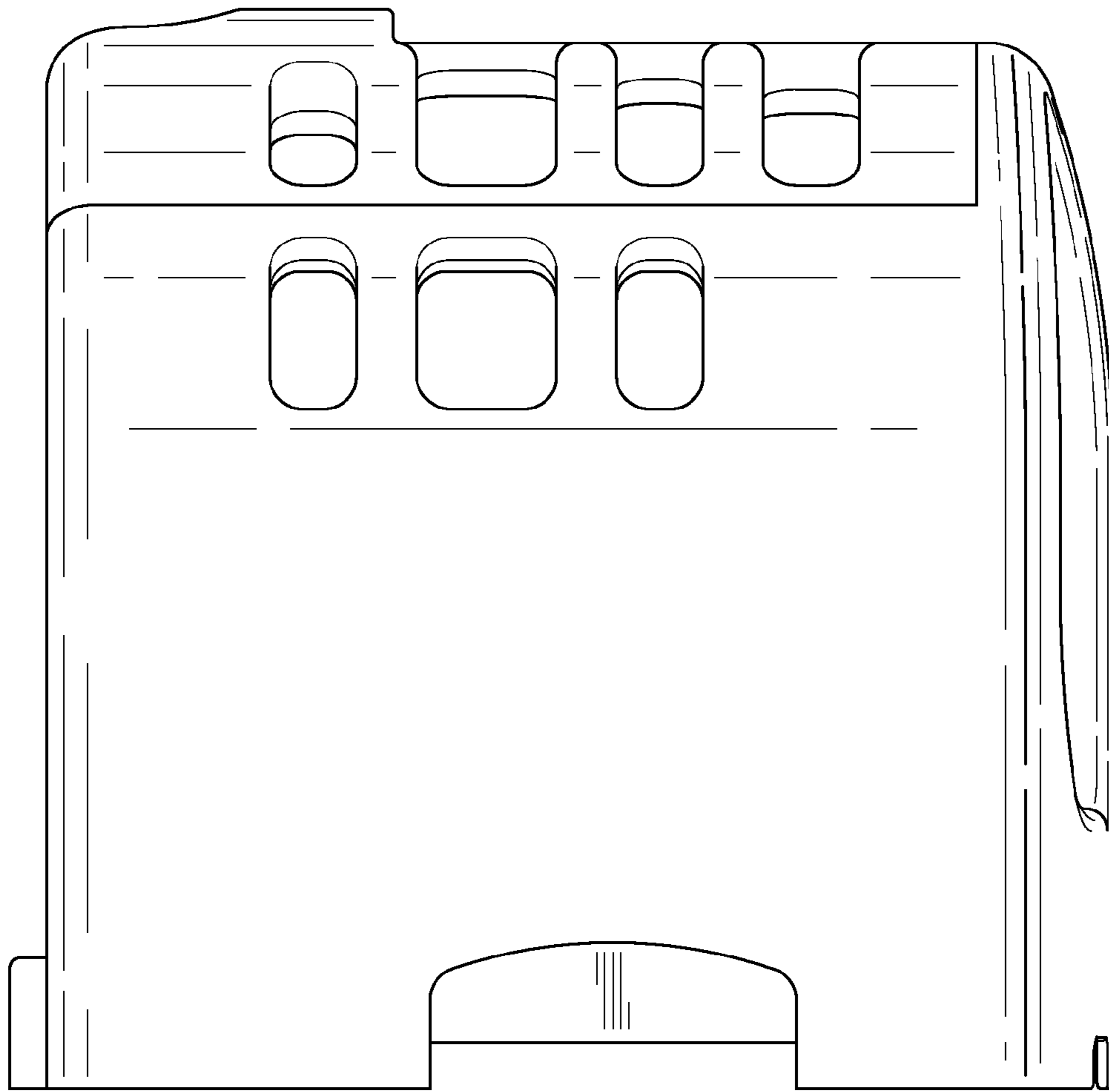


FIG. 4

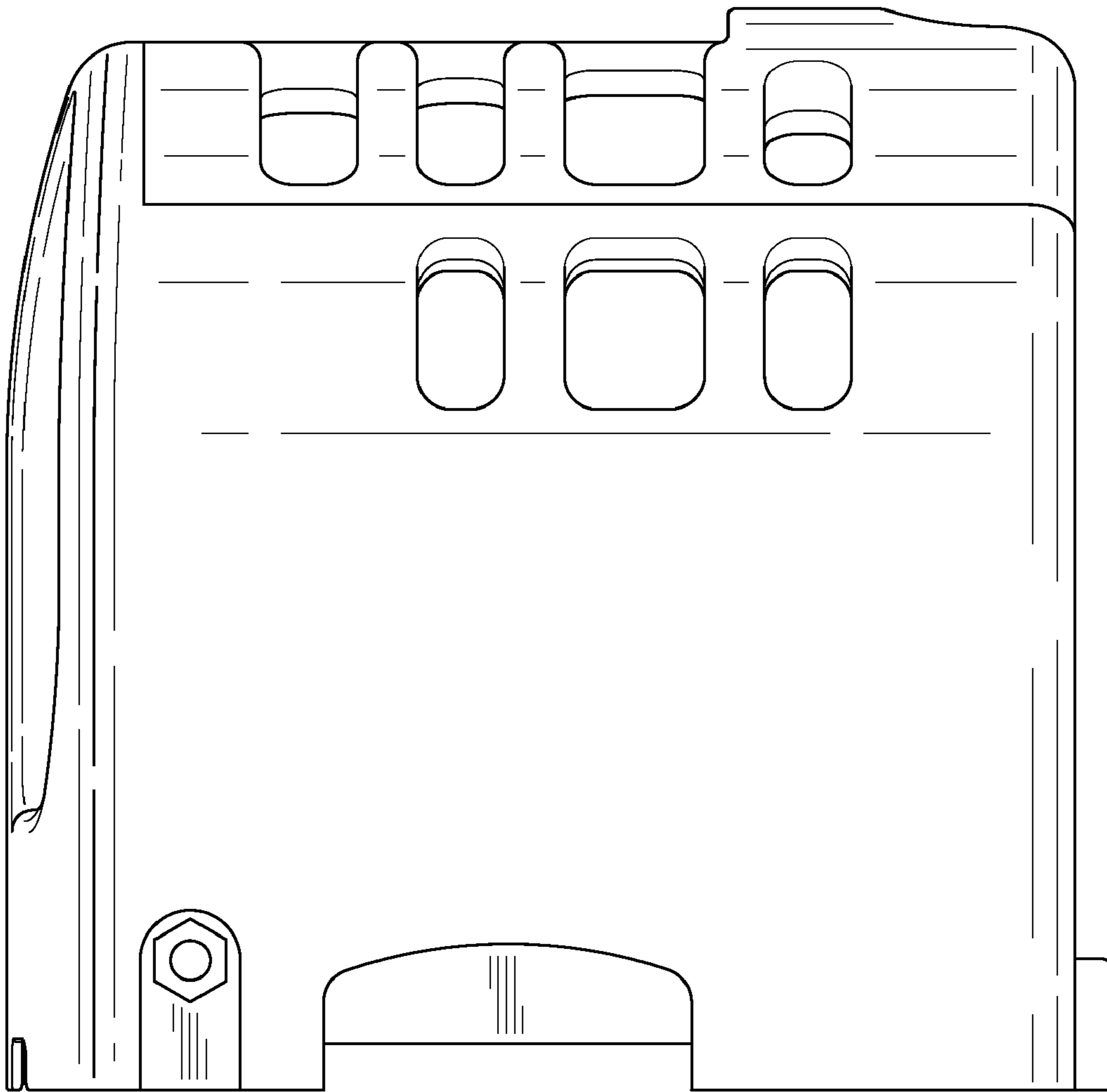


FIG. 5

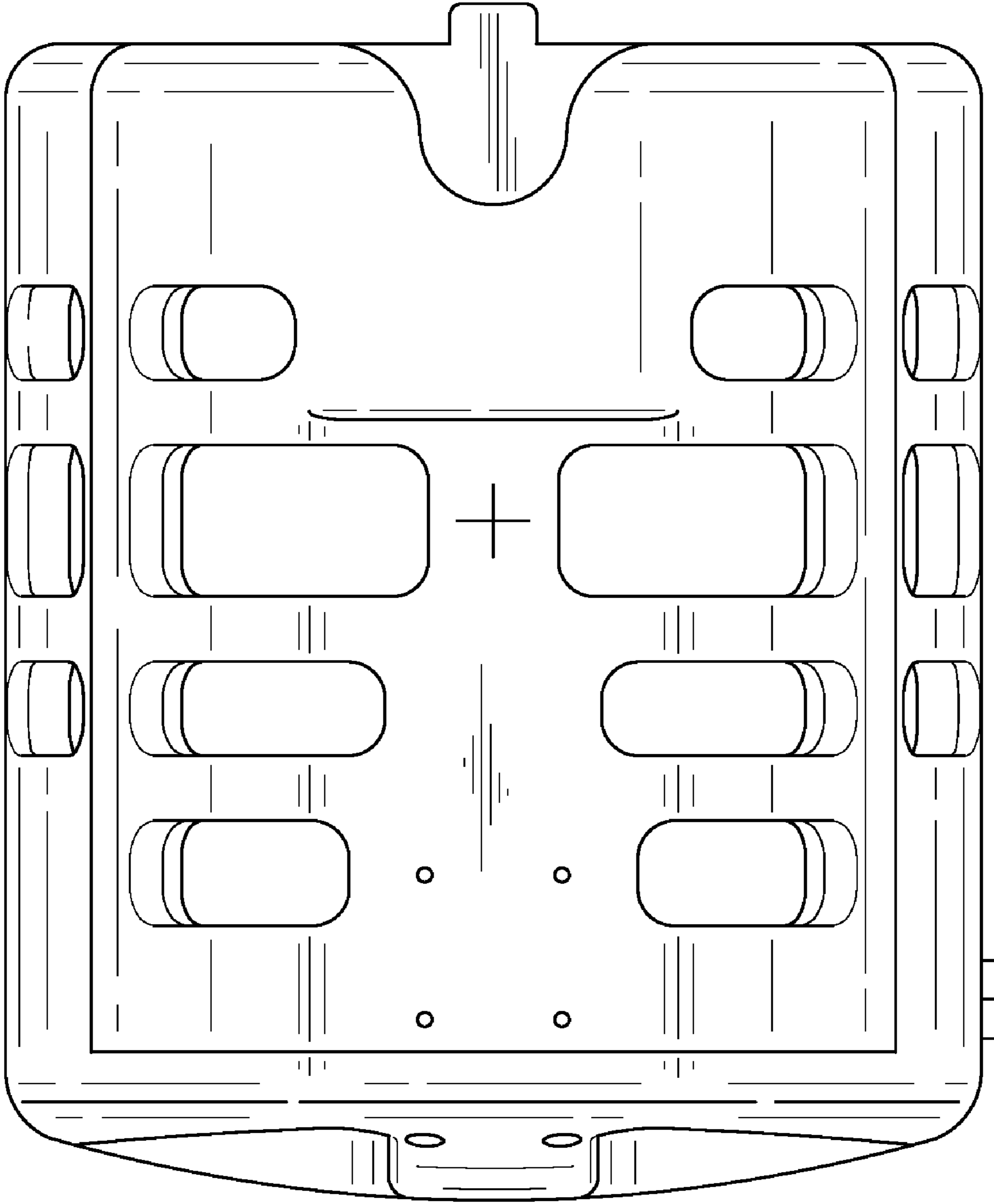


FIG. 6

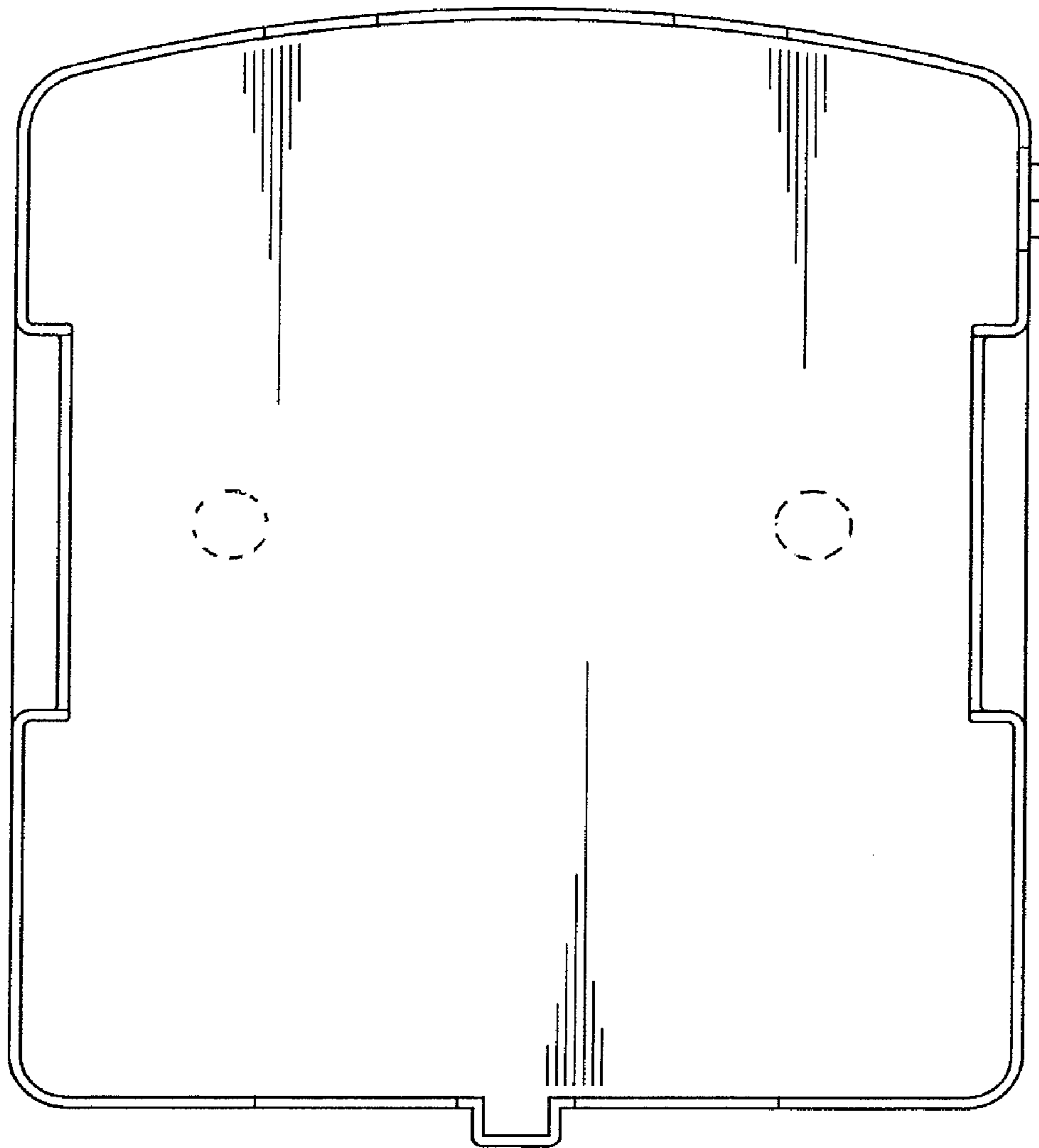


FIG. 7