

US00D592749S

(12) **United States Design Patent**  
**Muhlenberend**

(10) **Patent No.:** **US D592,749 S**

(45) **Date of Patent:** **\*\* May 19, 2009**

(54) **PROSTHESIS**

(75) Inventor: **Andreas Muhlenberend**, Leipzig (DE)

(73) Assignee: **Otto Bock Healthcare GmbH**,  
Duderstadt (DE)

(\*\*) Term: **14 Years**

(21) Appl. No.: **29/282,783**

(22) Filed: **Jul. 30, 2007**

(30) **Foreign Application Priority Data**

Feb. 1, 2007 (EM) ..... 000662747

(51) **LOC (9) Cl.** ..... **24-03**

(52) **U.S. Cl.** ..... **D24/155**

(58) **Field of Classification Search** ..... D24/155-157;  
623/57, 64, 63, 16, 11, 17.11, 19.11, 44  
See application file for complete search history.

(56) **References Cited**

**U.S. PATENT DOCUMENTS**

- D383,542 S \* 9/1997 Wellershaus et al. .... D24/155
- D402,368 S \* 12/1998 Holzapfel ..... D24/155
- D439,339 S 3/2001 Sawatzki
- D446,304 S \* 8/2001 Sawatzki et al. .... D24/155

- D522,142 S 5/2006 Boiten
- D523,959 S 6/2006 Muehlenberend
- D525,709 S 7/2006 Boiten
- D526,062 S \* 8/2006 Harn et al. .... D24/155
- D526,412 S \* 8/2006 Harn et al. .... D24/155
- D527,458 S \* 8/2006 Harn et al. .... D24/155
- D553,741 S \* 10/2007 Chen ..... D24/155

\* cited by examiner

*Primary Examiner*—Charles A Rademaker

(74) *Attorney, Agent, or Firm*—Faegre & Benson, LLP

(57) **CLAIM**

The ornamental design for a prosthesis, as shown.

**DESCRIPTION**

FIG. 1 is a front perspective view of a prosthesis showing my new design;

FIG. 2 is a left side elevation thereof;

FIG. 3 is a right side elevation thereof;

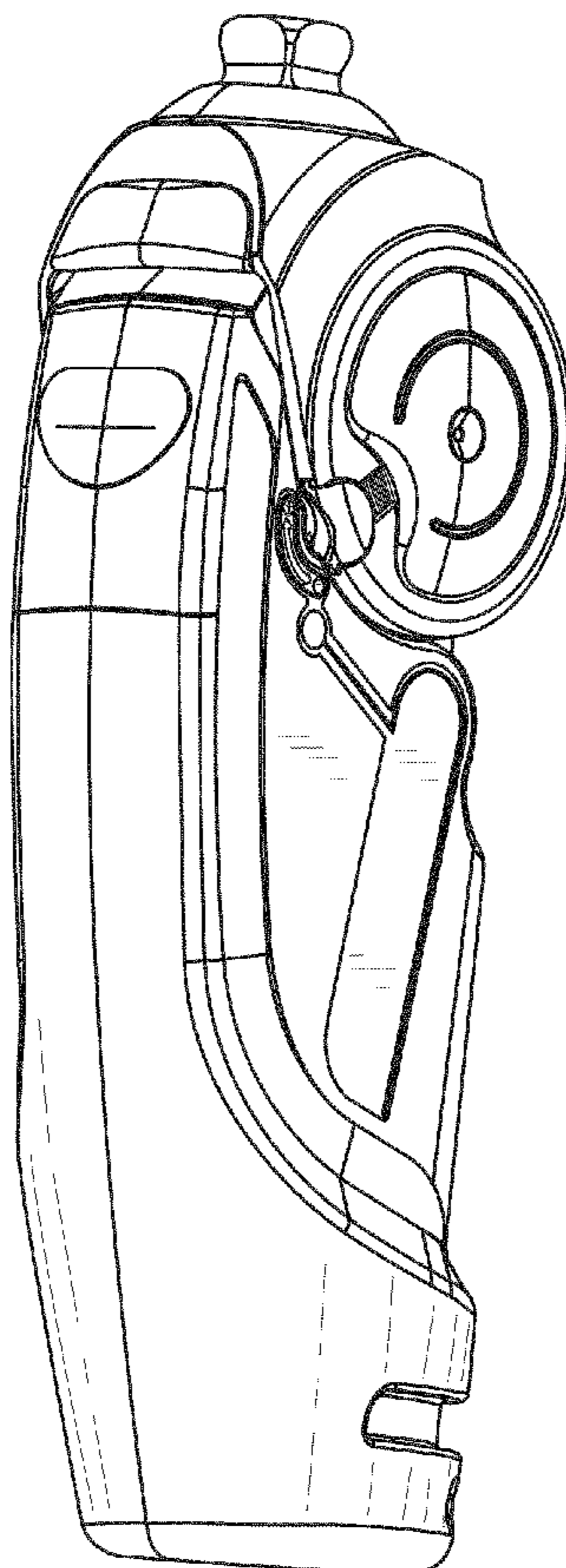
FIG. 4 is a rear elevation thereof;

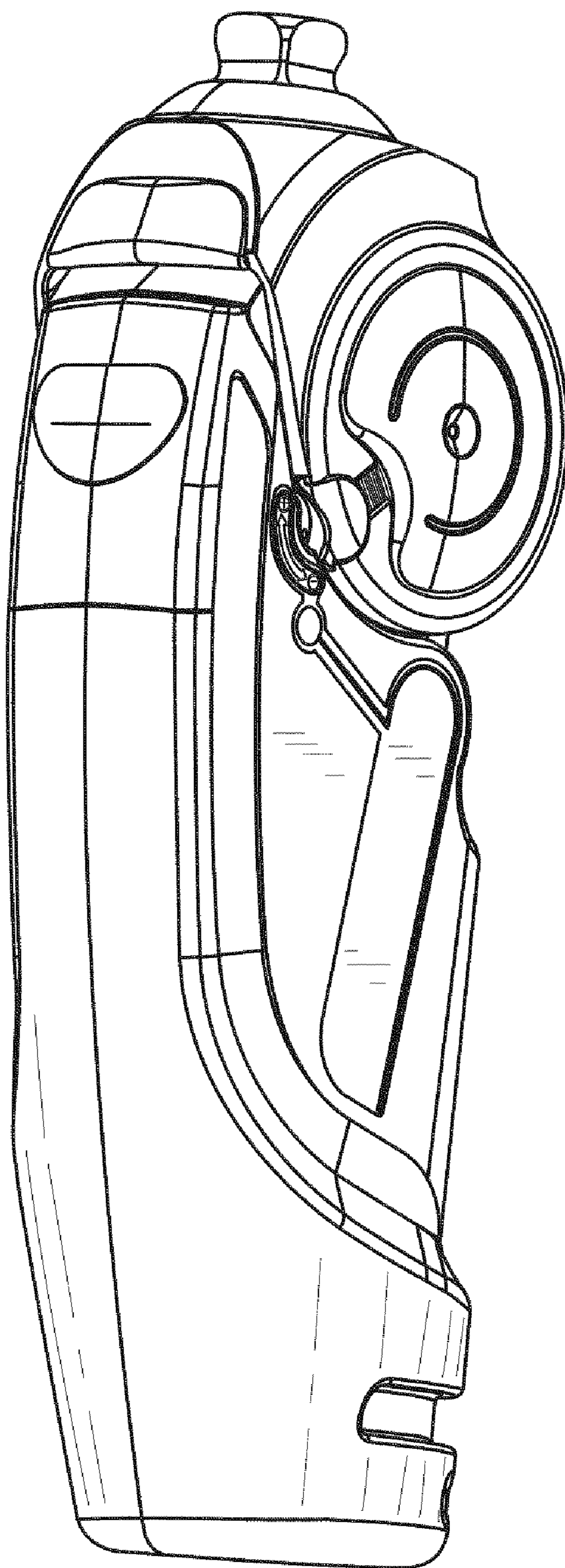
FIG. 5 is a front elevation thereof;

FIG. 6 is a top plan view thereof; and,

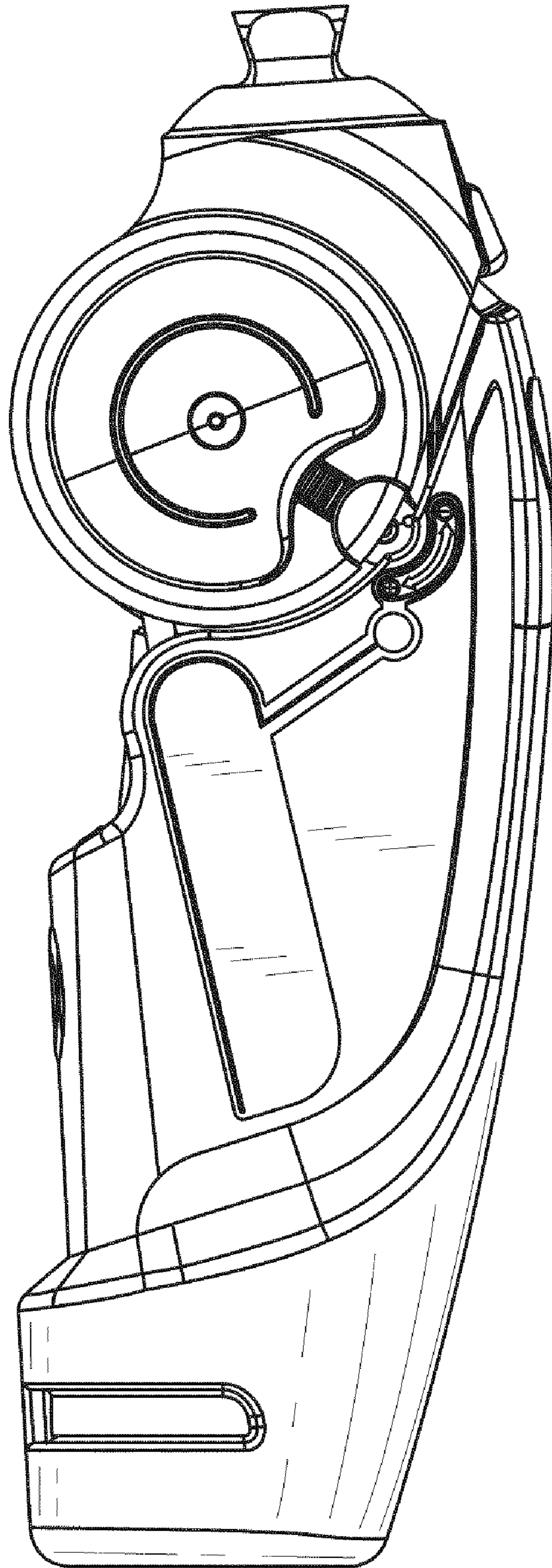
FIG. 7 is a bottom plan view thereof.

**1 Claim, 7 Drawing Sheets**

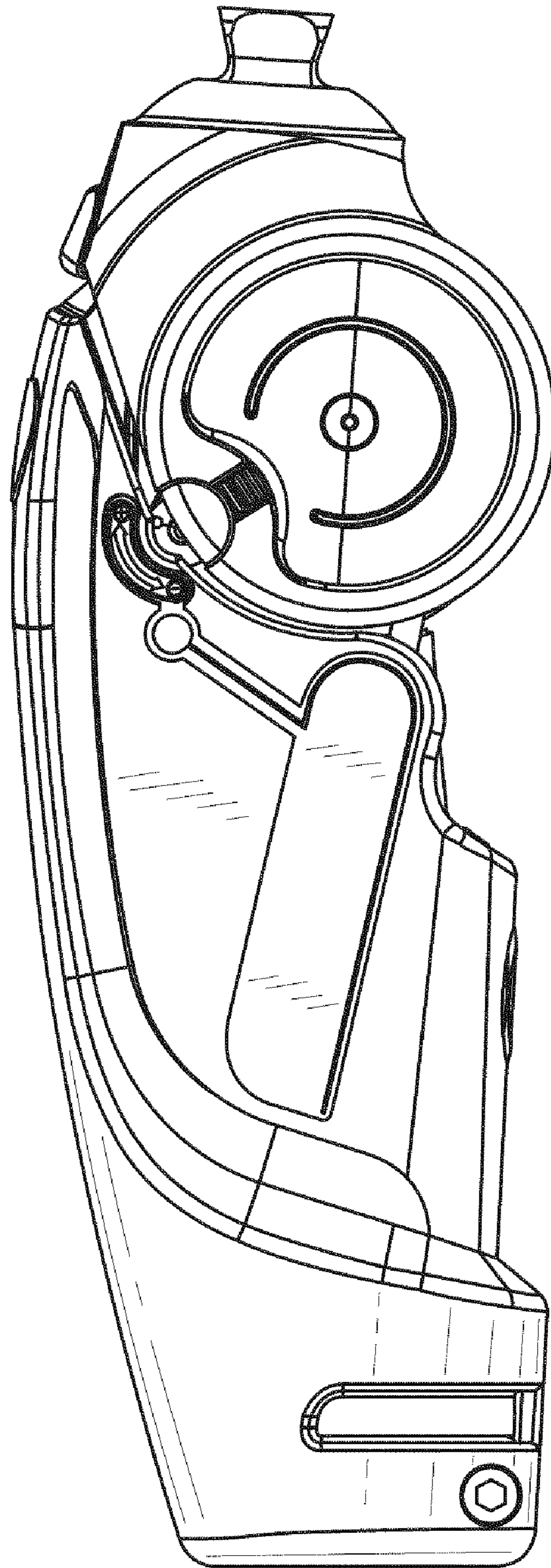




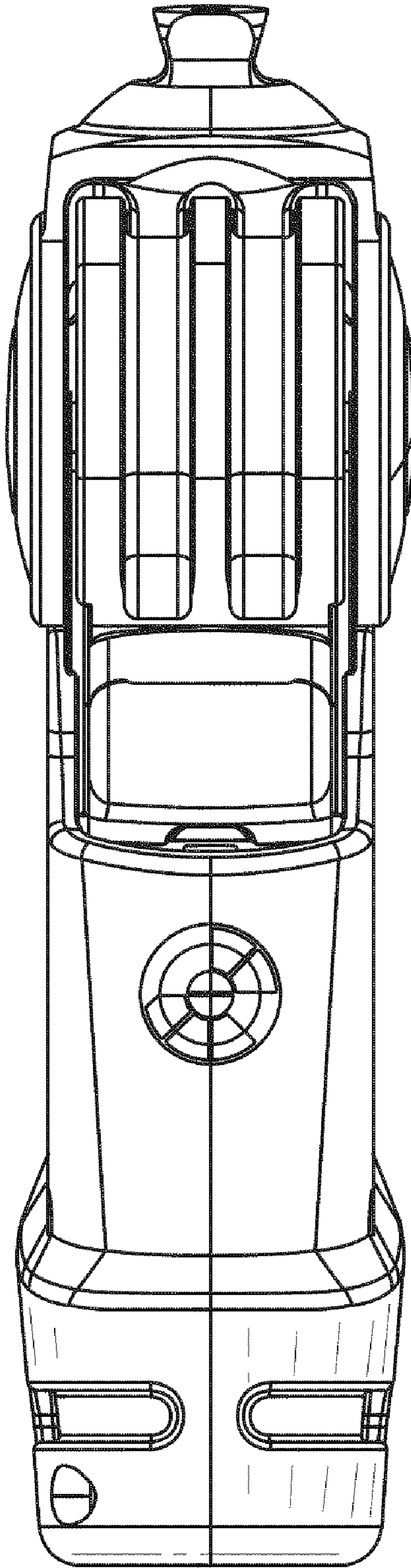
**Fig. 1**



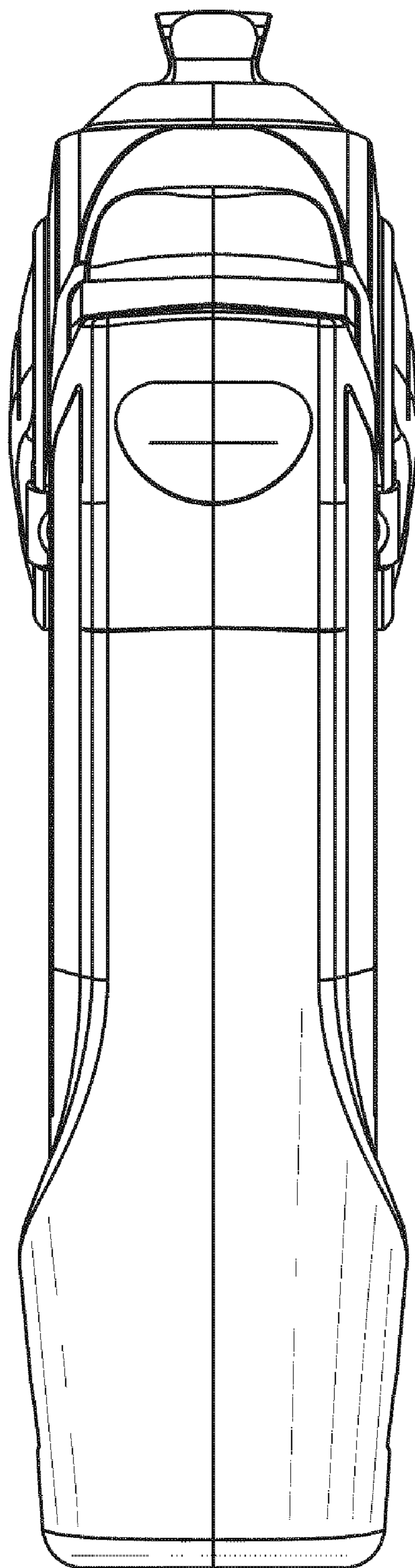
**Fig. 2**



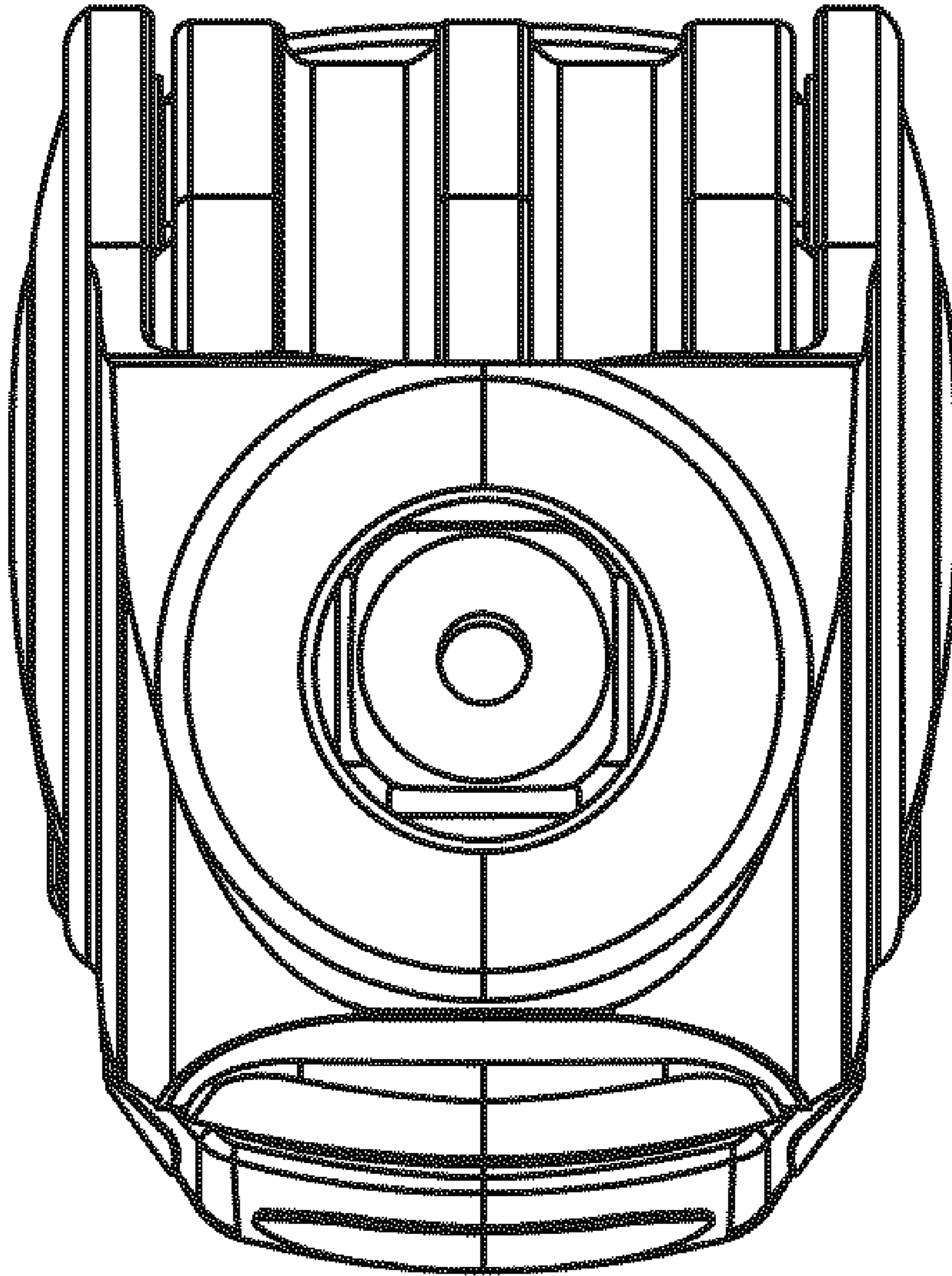
**Fig. 3**



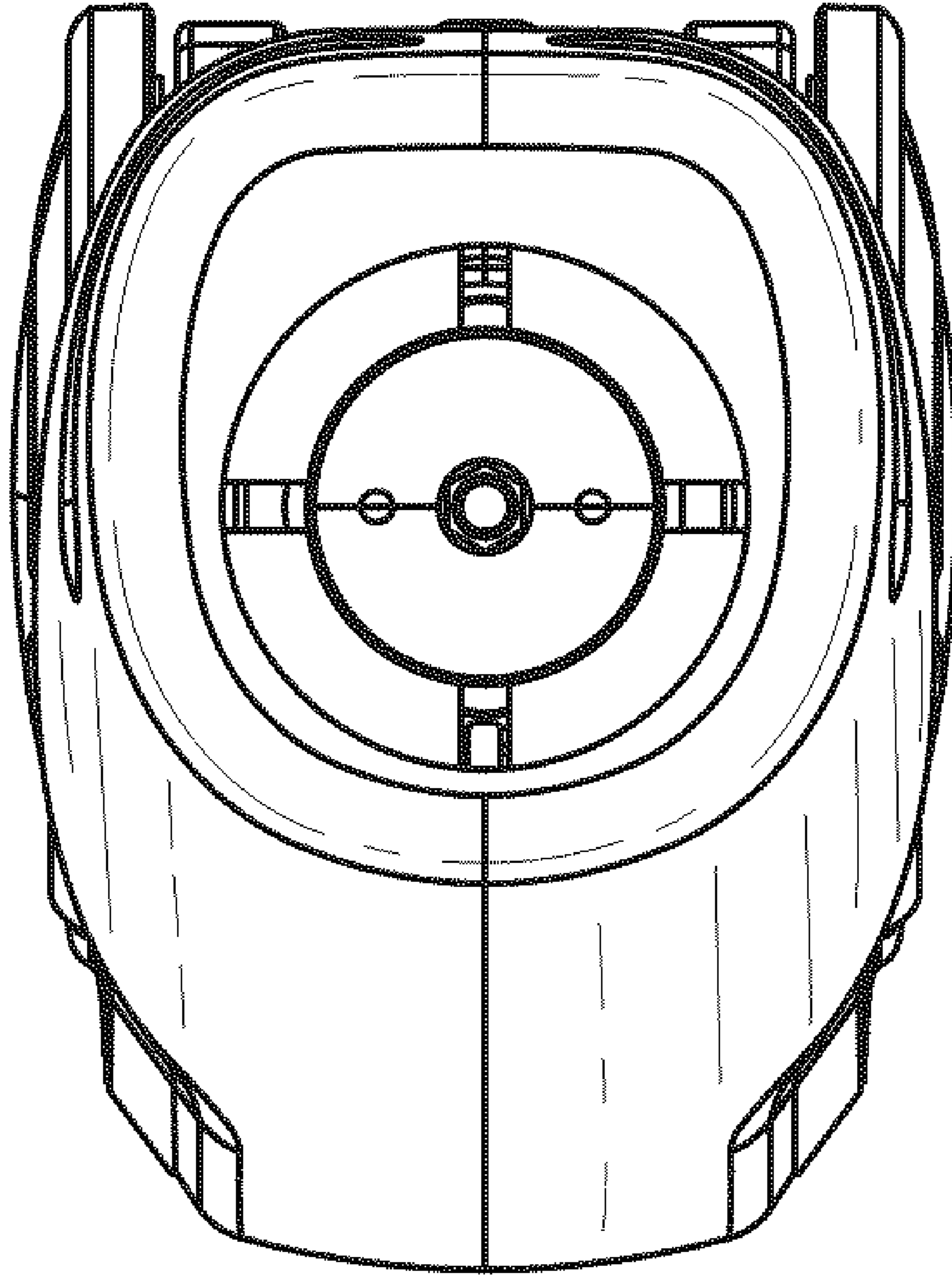
**Fig. 4**



**Fig. 5**



**Fig. 6**



**Fig. 7**