



US00D592748S

(12) **United States Design Patent**
Boulton

(10) **Patent No.:** **US D592,748 S**

(45) **Date of Patent:** **** May 19, 2009**

(54) **TIP FOR EAR CANDLE**

(76) Inventor: **Kevin Boulton**, 8491 Hospital Dr., #178,
Douglasville, GA (US) 30134

(**) Term: **14 Years**

(21) Appl. No.: **29/279,325**

(22) Filed: **Apr. 26, 2007**

(51) **LOC (9) Cl.** **10-01**

(52) **U.S. Cl.** **D24/151; D24/108; D24/133**

(58) **Field of Classification Search** D24/151,
D24/106, 142, 133, 147, 200, 211; D7/700;
D19/43, 54; 606/162; 128/864; 604/1
See application file for complete search history.

(56) **References Cited**

U.S. PATENT DOCUMENTS

D253,723	S	*	12/1979	Leight	D24/106
4,314,553	A	*	2/1982	Westerdal	128/864
D273,614	S	*	4/1984	Rolla	D24/106
D296,005	S	*	5/1988	Alkire	D24/151
5,676,643	A	*	10/1997	Cann et al.	604/1
5,685,851	A	*	11/1997	Murphy et al.	604/150
D408,526	S	*	4/1999	Westerdal	D24/106
6,155,987	A	*	12/2000	Scherl	600/562
6,725,568	B2	*	4/2004	Gronka	34/437
D494,269	S	*	8/2004	Fleming	D24/106
D524,938	S	*	7/2006	Schreiber	D24/106
D528,204	S	*	9/2006	Doty et al.	D24/106
2002/0004664	A1	*	1/2002	Gerstein	606/162

OTHER PUBLICATIONS

One photograph of entire BIOSON ear candle.

One photograph of close-up view of part of BIOSON ear candle.

One photograph of OTOSAN Cone for the Ear, safety device, and packaging.

One photograph of Wally's Natural Products Herbal 100% Beeswax Ear Candles and packaging.

One photograph of Harmony Cone Independence Distributors Small Beeswax candles and packaging.

One photograph of Harmony Cone GNC Ear Candles and packaging.

* cited by examiner

Primary Examiner—Ian Simmons

Assistant Examiner—Carissa C Fitts

(74) *Attorney, Agent, or Firm*—Wood, Herron & Evans, LLP

(57) **CLAIM**

The ornamental design for a tip for ear candle, as shown and described.

DESCRIPTION

FIG. 1 is a perspective view of a tip for ear candle, showing the new design mounted with a candle.

FIG. 2 is another perspective view of the tip of FIG. 1, shown with a candle on an outside of a candle.

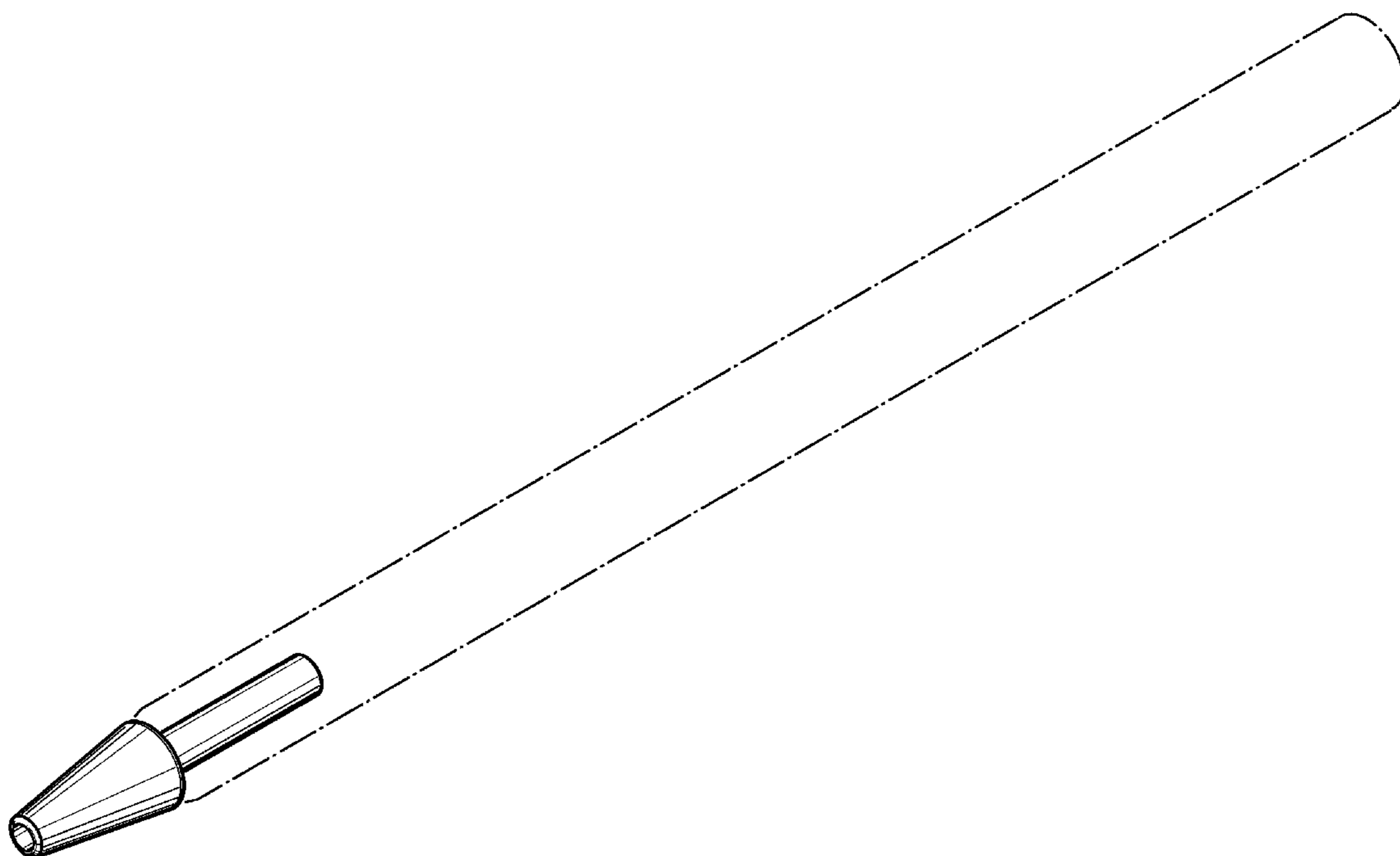
FIG. 3 is a front view of FIG. 1 and also is a back view, and left and right view of the tip of FIG. 1.

FIG. 4 is a bottom view of the tip of FIG. 1; and,

FIG. 5 is a top view of the tip of FIG. 1.

The candle elements shown in dash-dot lines form no part of the claimed invention in this Application, and are included to show the environmental aspects of the claimed invention.

1 Claim, 3 Drawing Sheets



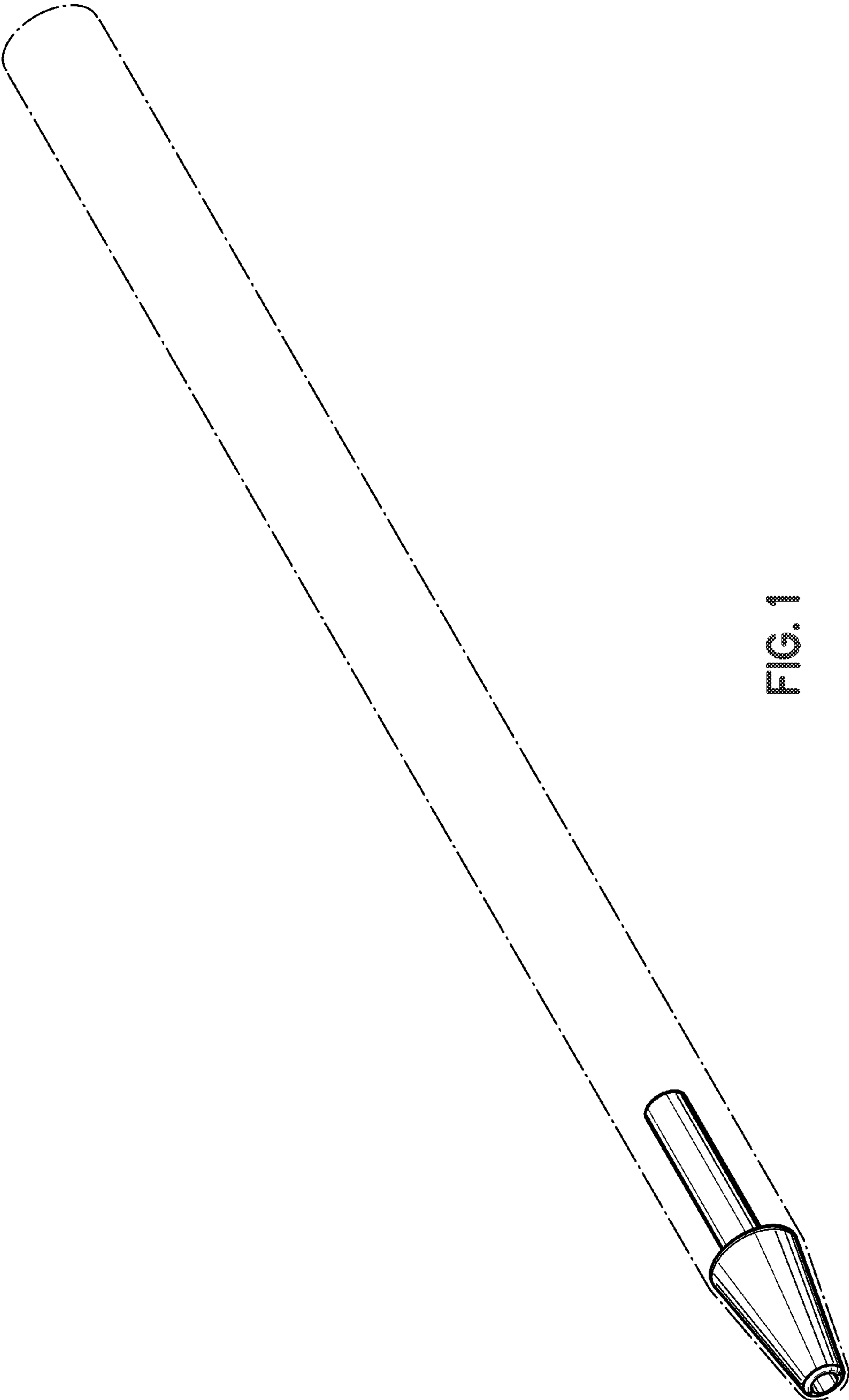


FIG. 1

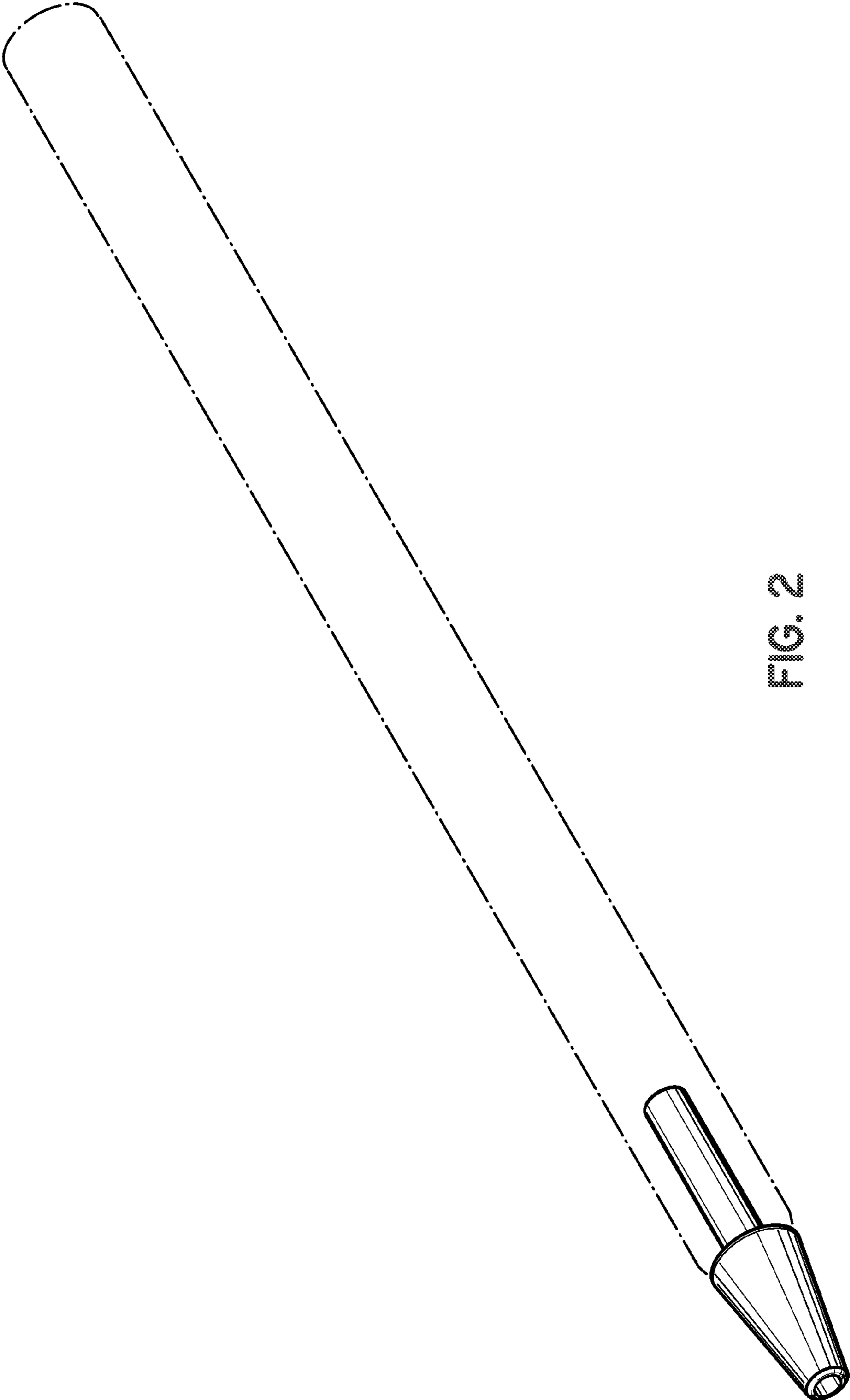


FIG. 2

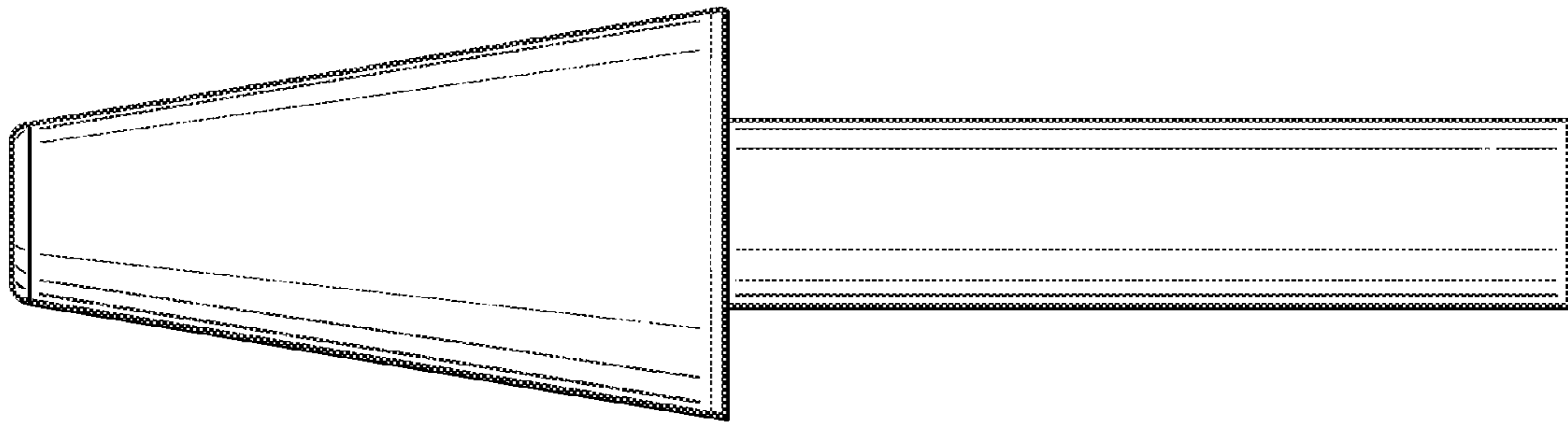


FIG. 3

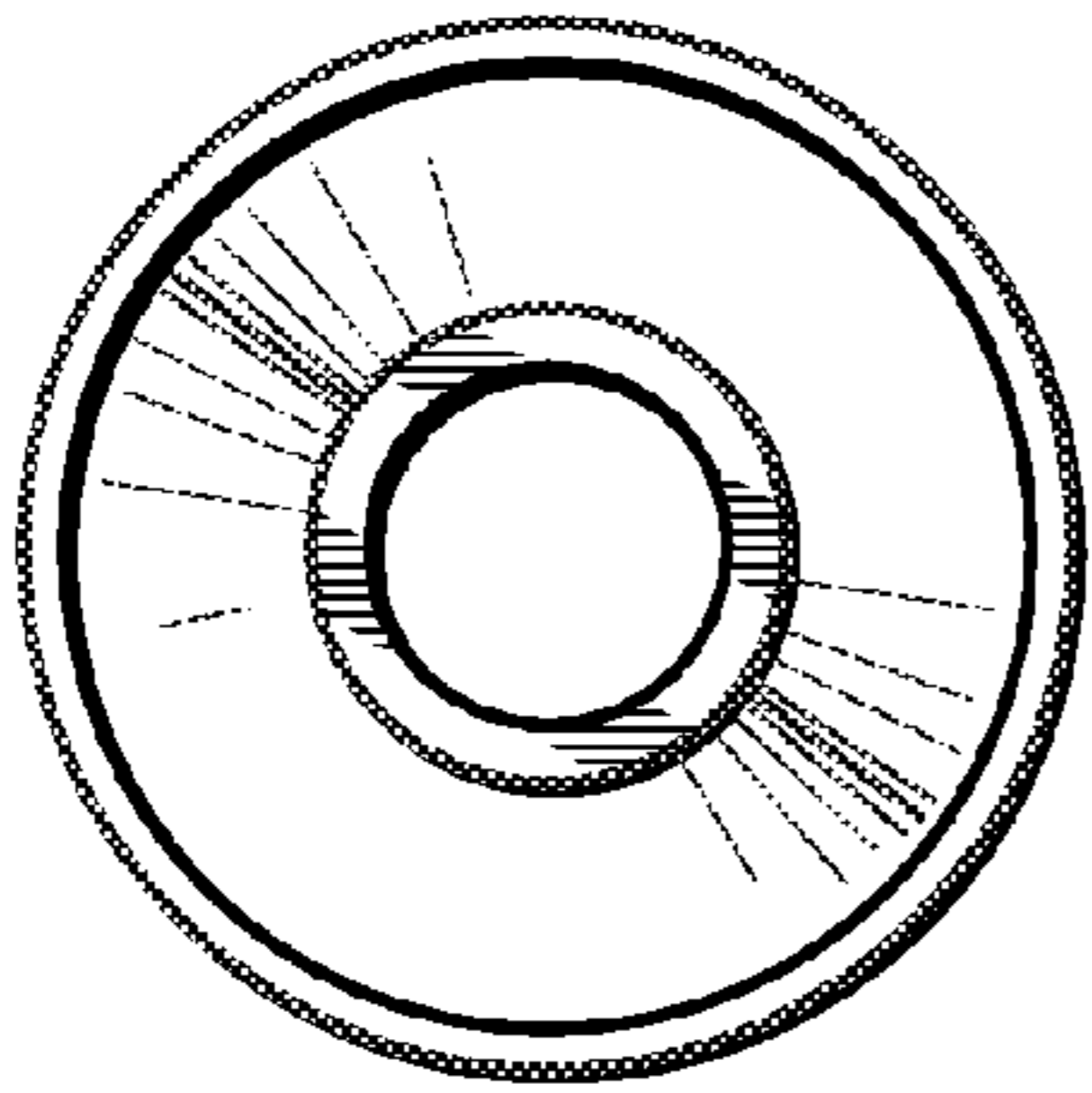


FIG. 4

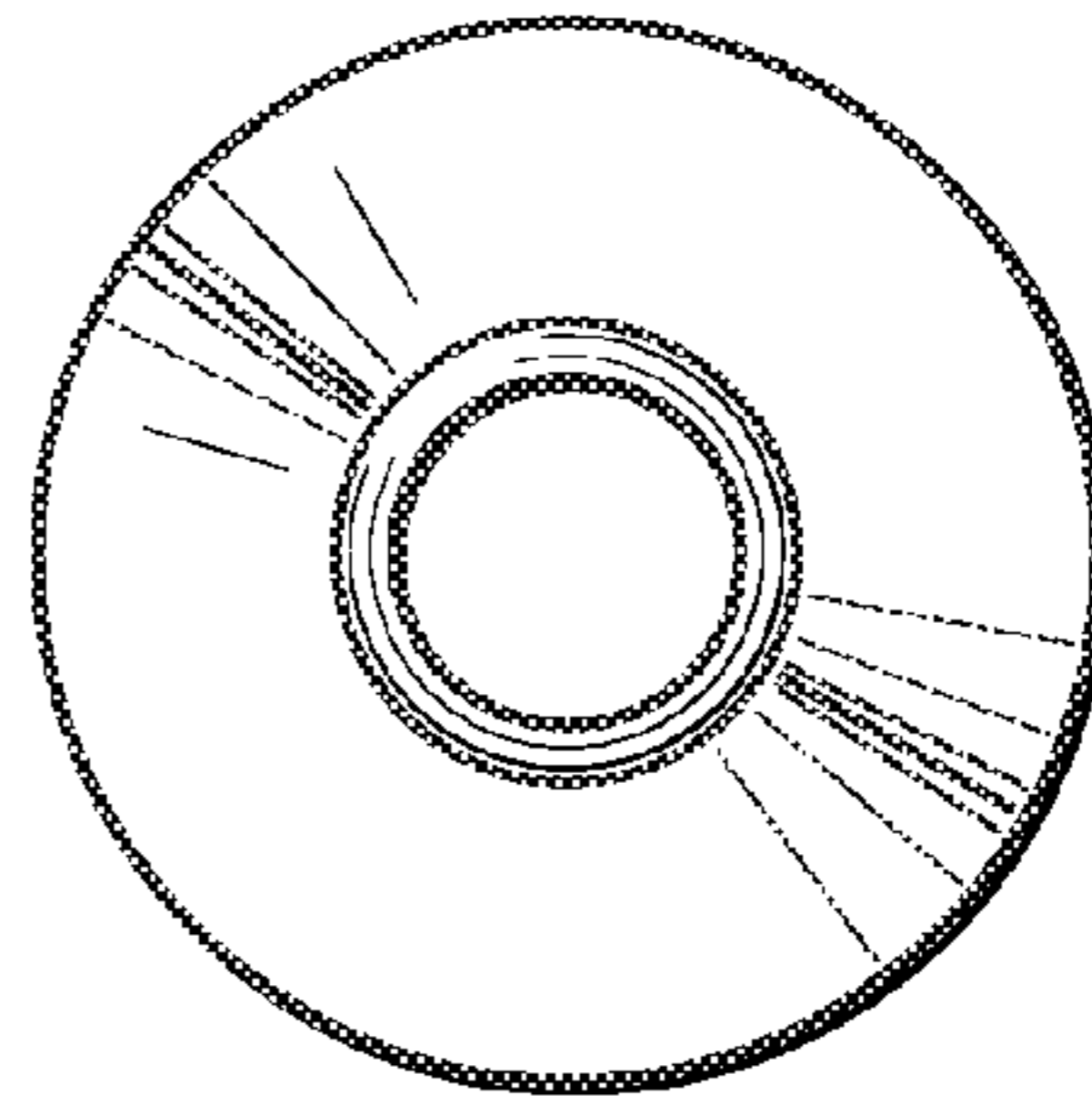


FIG. 5