

US00D592747S

(12) **United States Design Patent**  
**Weiler et al.**

(10) **Patent No.:** **US D592,747 S**

(45) **Date of Patent:** **\*\* May 19, 2009**

(54) **MEDICAL INSTRUMENT**

(75) Inventors: **Andreas Weiler**, Berlin (DE); **Martin Oberländer**, Engen (DE); **Michael Sauer**, Tuttlingen (DE)

(73) Assignee: **Karl Storz GmbH & Co. KG** (DE)

(\*\*) Term: **14 Years**

(21) Appl. No.: **29/305,766**

(22) Filed: **Mar. 27, 2008**

(30) **Foreign Application Priority Data**

Sep. 28, 2007 (EM) ..... 000798855

(51) **LOC (9) Cl.** ..... **24-02**

(52) **U.S. Cl.** ..... **D24/143; D24/133**

(58) **Field of Classification Search** ..... D24/143,  
D24/133, 135, 147; 606/205, 170, 208, 86-88,  
606/90, 99, 105; 600/225

See application file for complete search history.

(56) **References Cited**

**U.S. PATENT DOCUMENTS**

D351,653 S \* 10/1994 Koros et al. .... D24/143  
D481,128 S \* 10/2003 Koros et al. .... D24/147  
D488,229 S \* 4/2004 Rinner et al. .... D24/143  
7,014,617 B2 \* 3/2006 Grinberg ..... 600/587  
D566,271 S \* 4/2008 Gao et al. .... D24/143

D571,914 S \* 6/2008 Bacher ..... D24/143  
2005/0010213 A1 \* 1/2005 Stad et al. .... 606/53  
2007/0100347 A1 \* 5/2007 Stad et al. .... 606/90  
2007/0179524 A1 \* 8/2007 Weber et al. .... 606/205  
2008/0046002 A1 \* 2/2008 Renger et al. .... 606/205  
2008/0177297 A1 \* 7/2008 Steiner et al. .... 606/205

\* cited by examiner

*Primary Examiner*—Ian Simmons

*Assistant Examiner*—Christopher Lee

(74) *Attorney, Agent, or Firm*—St. Onge Steward Johnston & Reens LLC

(57) **CLAIM**

The ornamental design for a medical instrument, as shown and described.

**DESCRIPTION**

FIG. 1 is a front perspective view of a medical instrument in accordance with the new design;

FIG. 2 is a left side view thereof;

FIG. 3 is a right side view thereof;

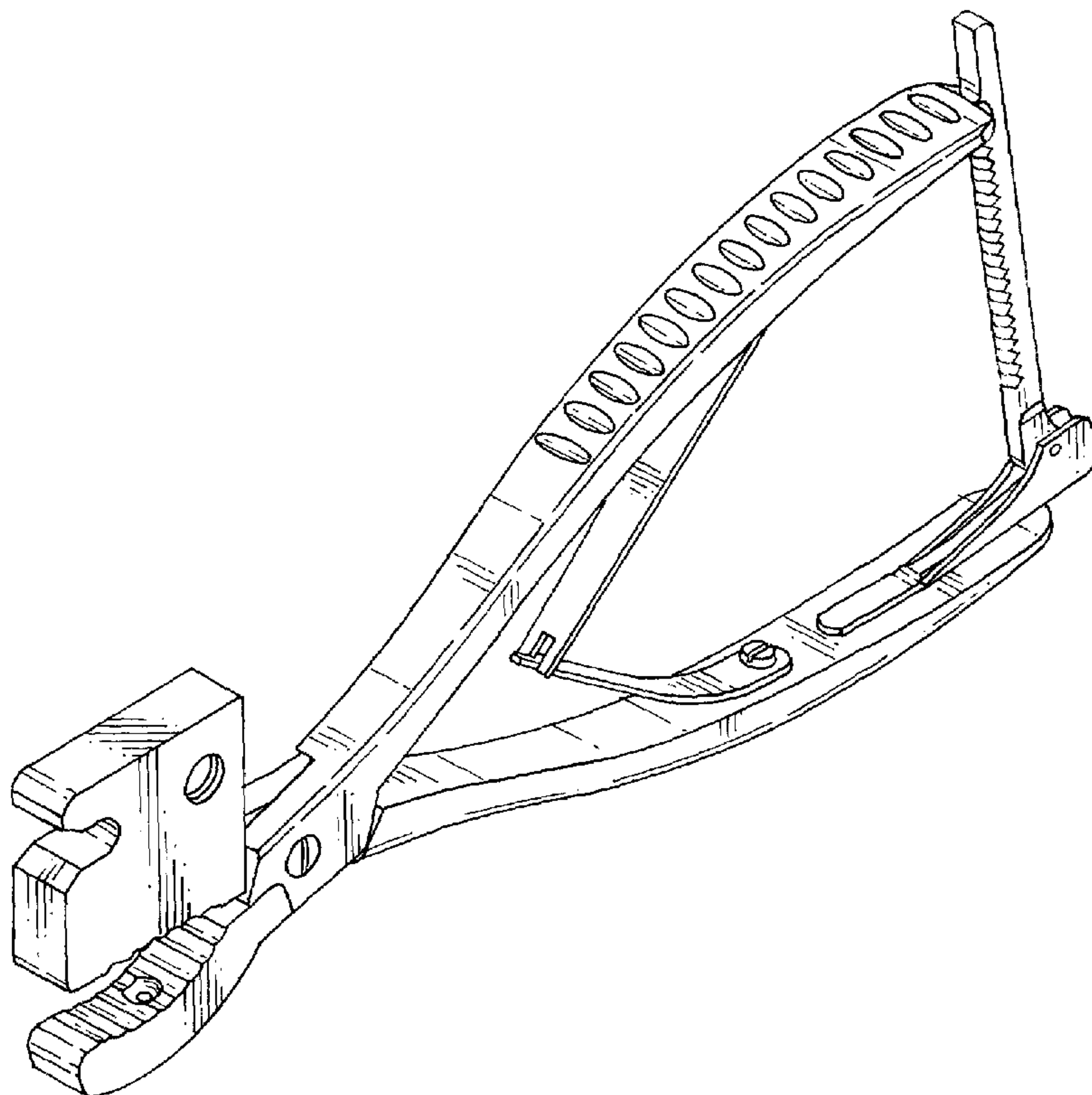
FIG. 4 is a top view thereof;

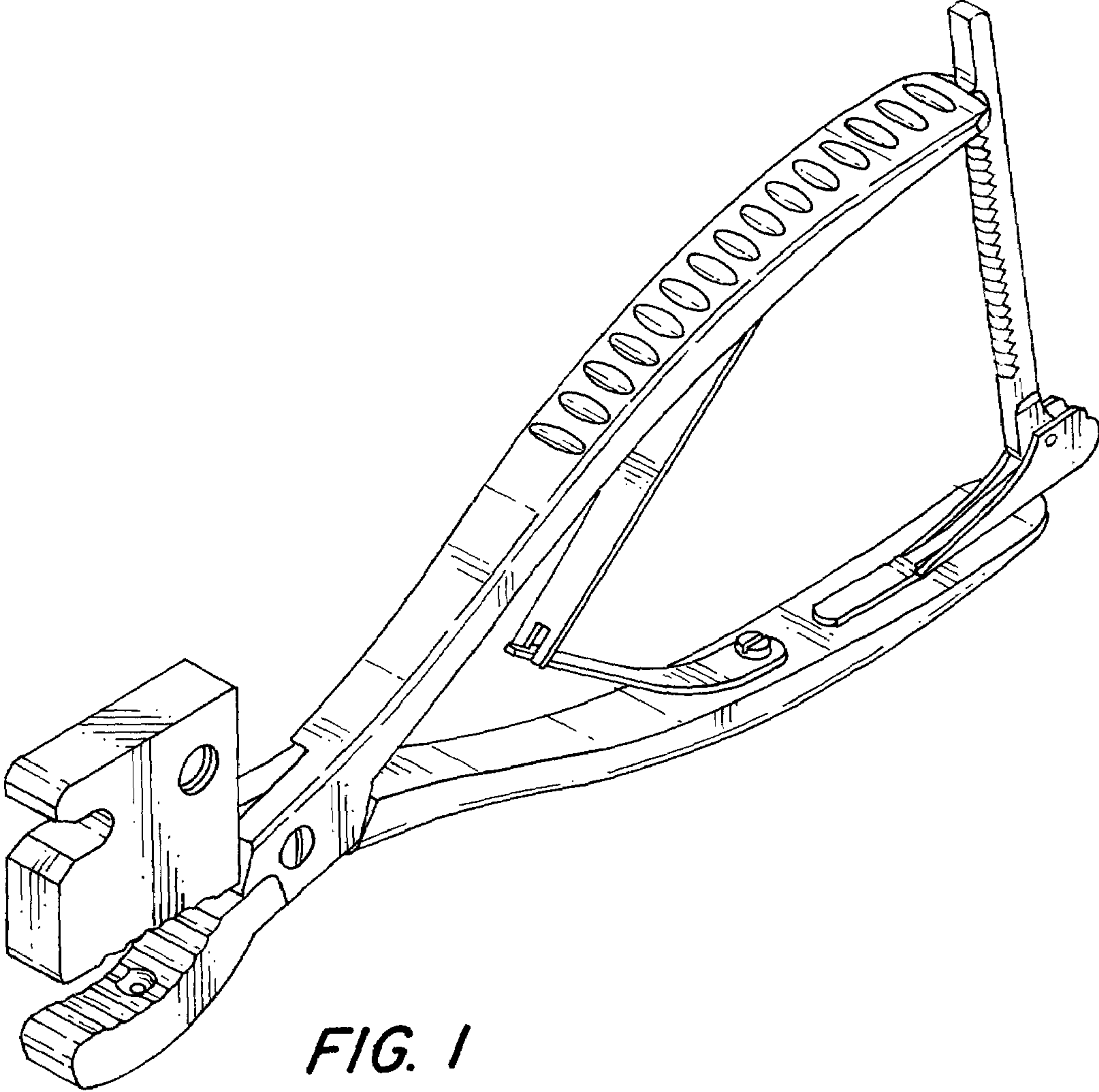
FIG. 5 is a bottom view thereof;

FIG. 6 is a front view thereof; and,

FIG. 7 is a rear view thereof.

**1 Claim, 5 Drawing Sheets**





*FIG. 1*

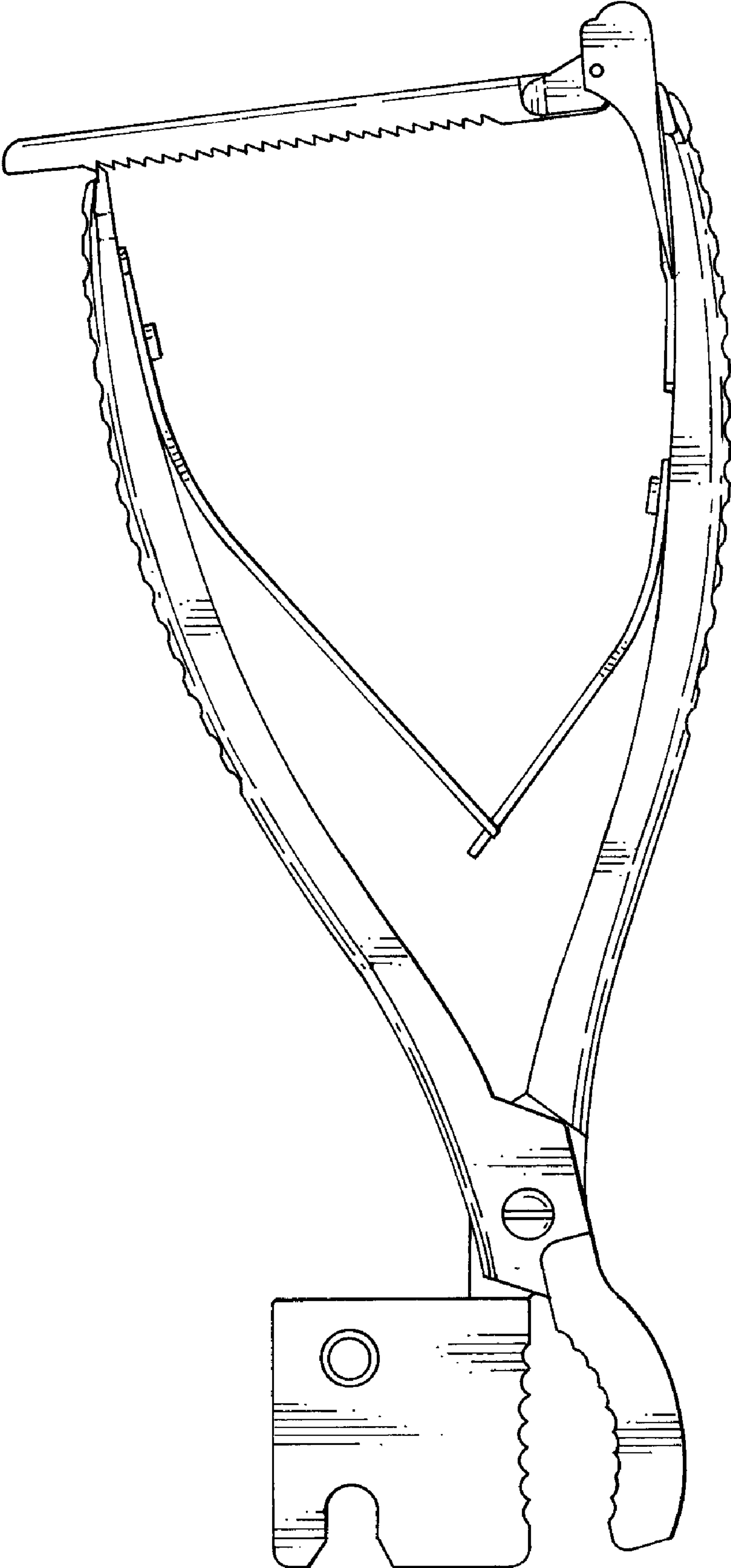


FIG. 2

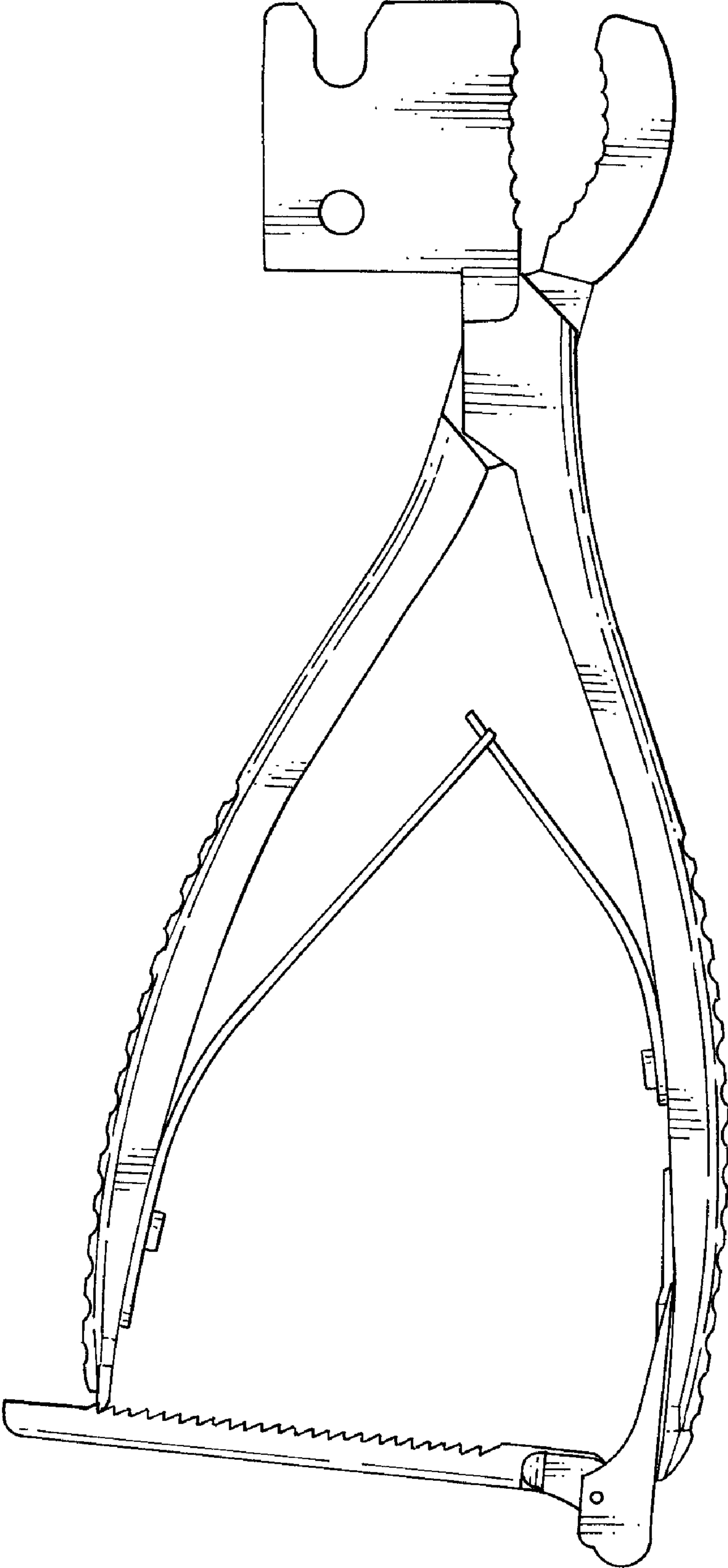
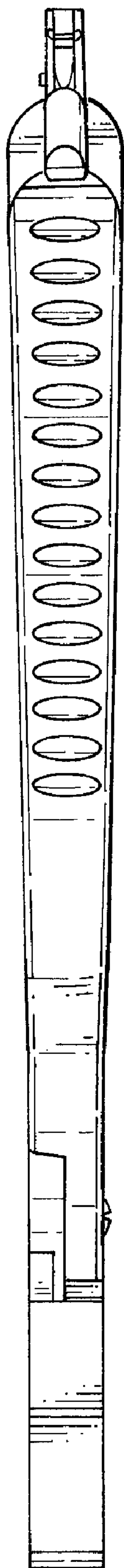
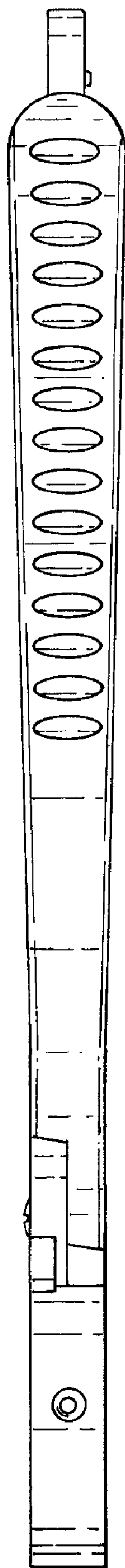


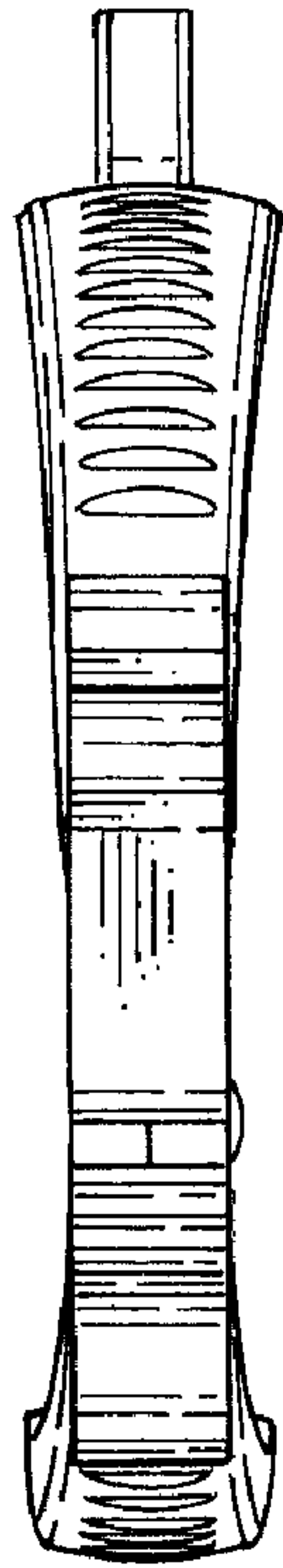
FIG. 3



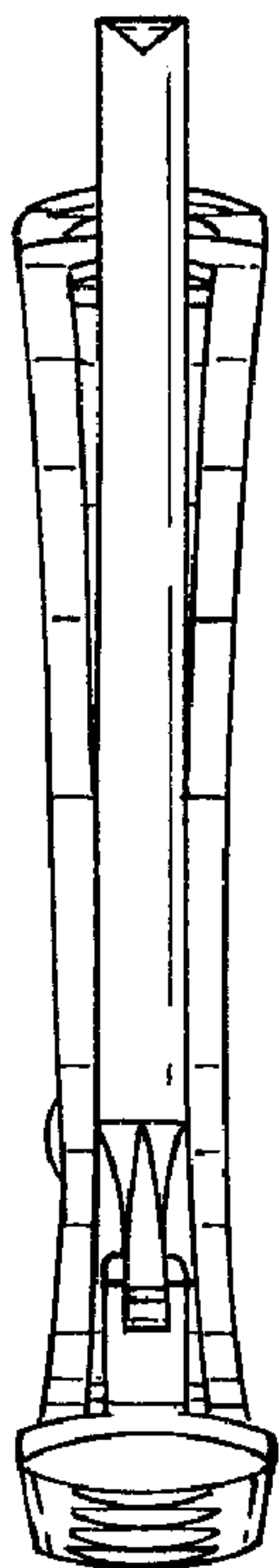
*FIG. 4*



*FIG. 5*



*FIG. 6*



*FIG. 7*