



US00D592745S

(12) **United States Design Patent**
Kawamura

(10) **Patent No.:** **US D592,745 S**

(45) **Date of Patent:** **** May 19, 2009**

(54) **SYRINGE BARREL**

(75) Inventor: **Hideaki Kawamura**, Tokyo (JP)

(73) Assignee: **Daikyo Seiko, Ltd.**, Tokyo (JP)

(**) Term: **14 Years**

(21) Appl. No.: **29/320,264**

(22) Filed: **Jun. 24, 2008**

(30) **Foreign Application Priority Data**

Dec. 25, 2007 (JP) 2007-035367

(51) **LOC (9) Cl.** **24-02**

(52) **U.S. Cl.** **D24/130**

(58) **Field of Classification Search** D24/112,
D24/114, 130; 604/195, 181, 110, 130, 87,
604/227, 232, 228, 191, 220, 222, 224, 218
See application file for complete search history.

(56) **References Cited**

U.S. PATENT DOCUMENTS

D262,739	S *	1/1982	Nitshke	D24/130
D293,821	S *	1/1988	Vaillancourt	D24/147
4,801,295	A *	1/1989	Spencer	604/198
5,879,338	A *	3/1999	Mahurkar	604/195
D420,129	S *	2/2000	McMahon	D24/130
6,213,985	B1 *	4/2001	Niedospial, Jr.	604/218
6,361,525	B2 *	3/2002	Capes et al.	604/240
D460,820	S *	7/2002	Niedospial, Jr.	D24/130
D461,243	S *	8/2002	Niedospial, Jr.	D24/130
D570,476	S *	6/2008	Sudo	D24/130
D575,870	S *	8/2008	Sudo	D24/130
2002/0007147	A1 *	1/2002	Capes et al.	604/110
2004/0082911	A1 *	4/2004	Tiu et al.	604/110
2004/0122378	A1 *	6/2004	Hsu	604/240

2005/0070854	A1 *	3/2005	Wright	604/197
2005/0124941	A1 *	6/2005	Panchula et al.	604/218
2006/0217670	A1 *	9/2006	Cecchi et al.	604/209
2008/0188799	A1 *	8/2008	Mueller-Beckhaus et al.	604/88
2008/0287869	A1 *	11/2008	Chun	604/110

* cited by examiner

Primary Examiner—T. Chase Nelson

Assistant Examiner—Eric L Goodman

(74) *Attorney, Agent, or Firm*—The Webb Law Firm

(57) **CLAIM**

The ornamental design for a syringe barrel, as shown and described.

DESCRIPTION

FIG. 1 is a front view of a syringe barrel showing the new design;

FIG. 2 is a rear view of FIG. 1;

FIG. 3 is a top view of FIG. 1;

FIG. 4 is a bottom view of FIG. 1;

FIG. 5 is a left side view of FIG. 1;

FIG. 6 is a right side view of FIG. 1;

FIG. 7 is an enlarged section of the right side view of FIG. 6;

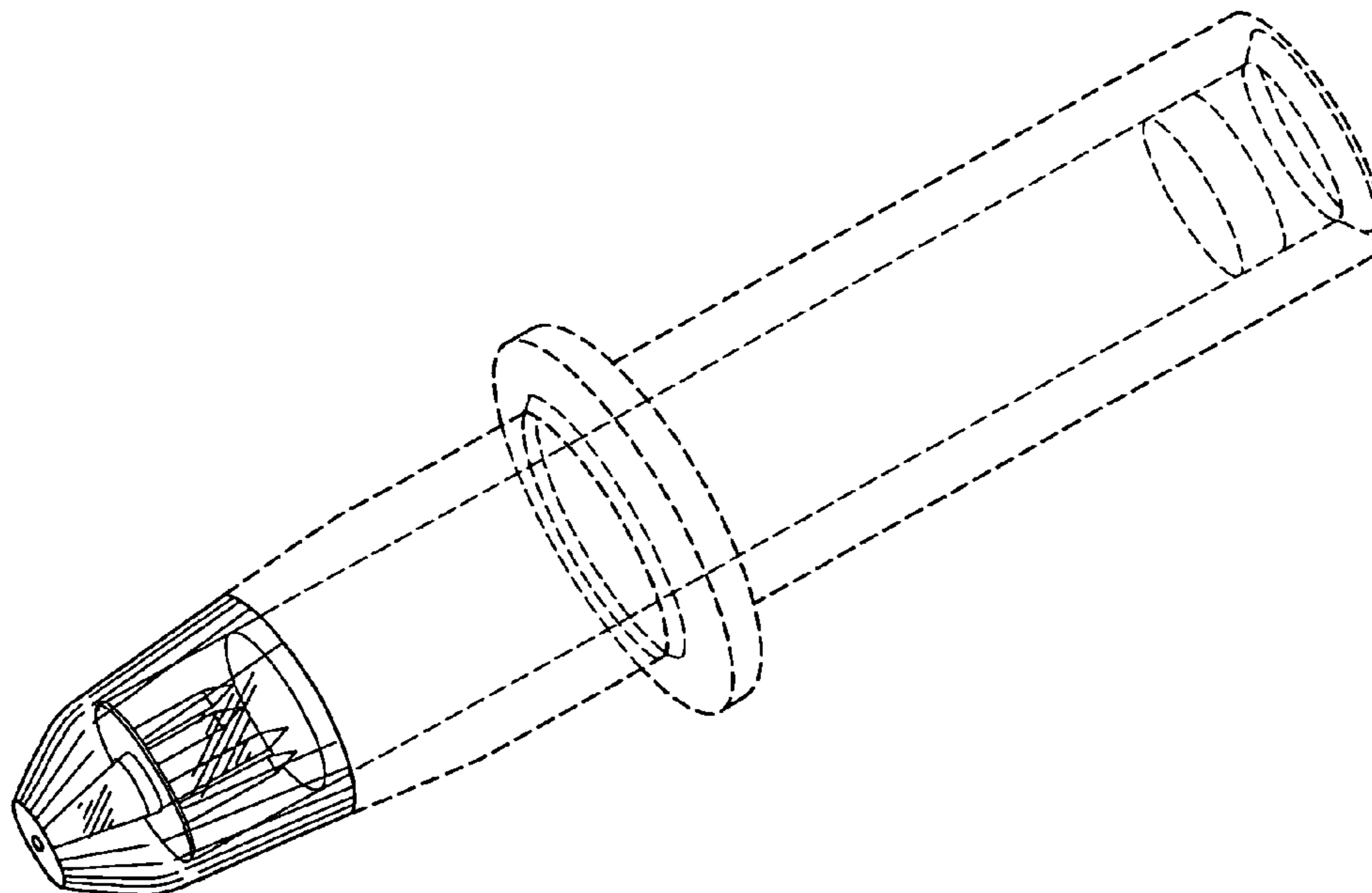
FIG. 8 is a perspective view of FIG. 1;

FIG. 9 is a cross-sectional view of FIG. 1 taken along line 9—9 of FIG. 5; and,

FIG. 10 is a cross-sectional view of FIG. 1 taken along line 10—10 of FIG. 5.

The broken lines in FIGS. 1–6 and 8–10 represent environment and are for illustrative purposes only and do not constitute part of the claimed design.

1 Claim, 5 Drawing Sheets



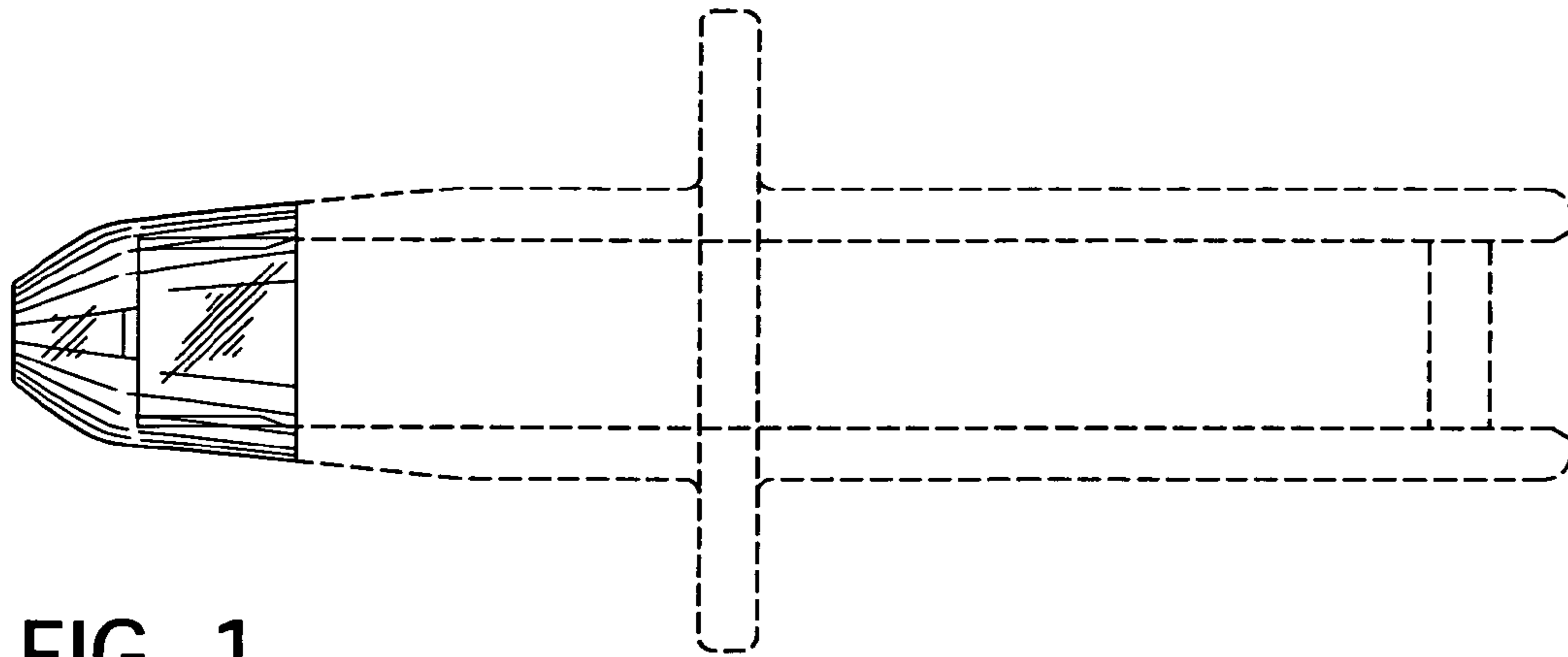


FIG. 1

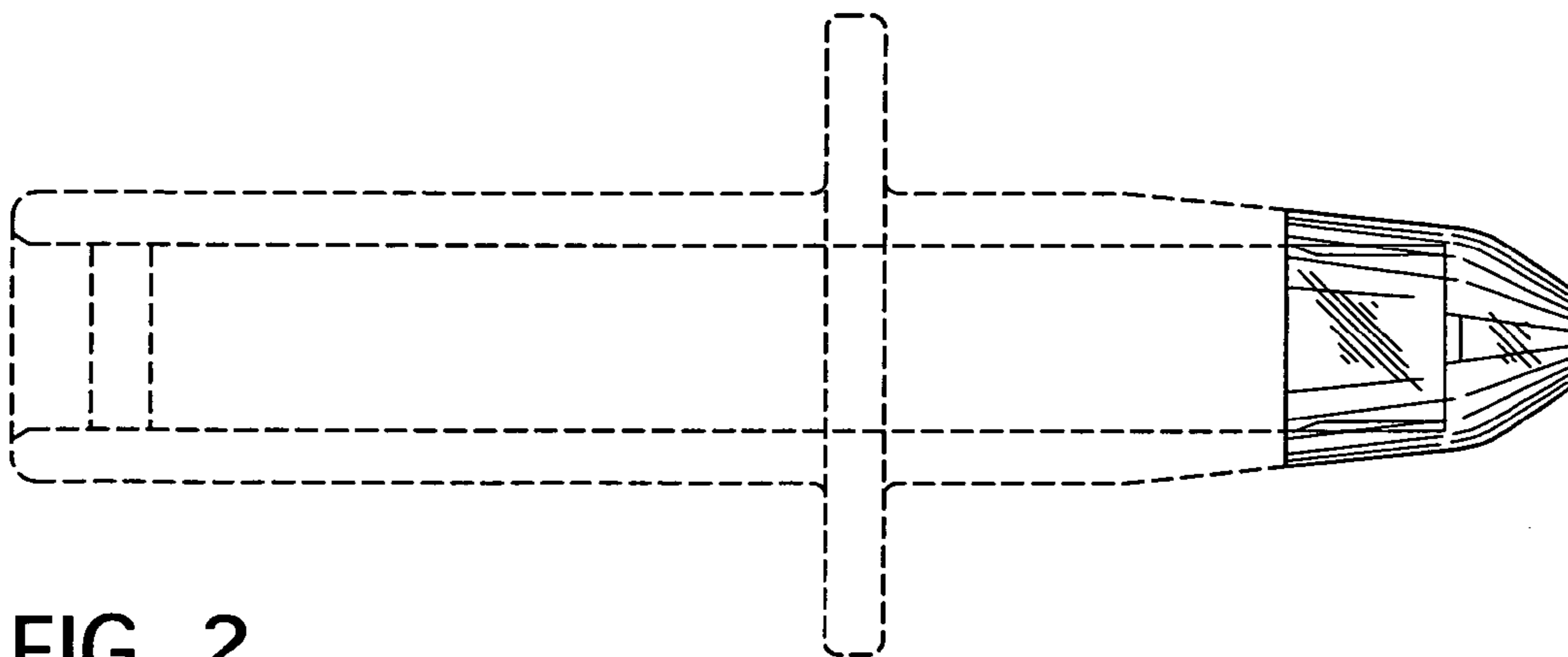


FIG. 2

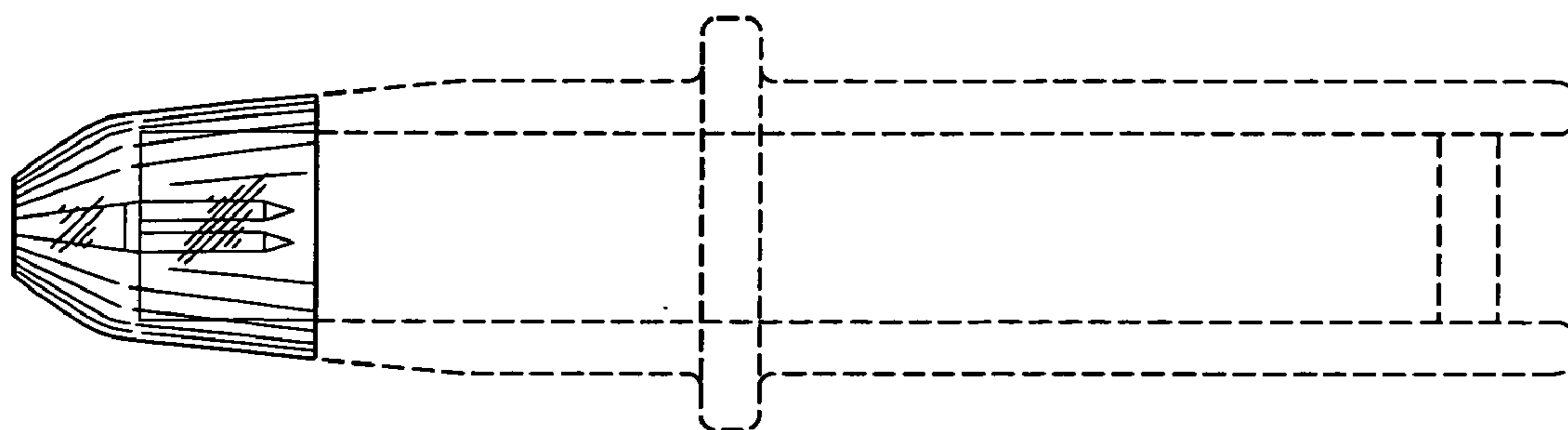


FIG. 3

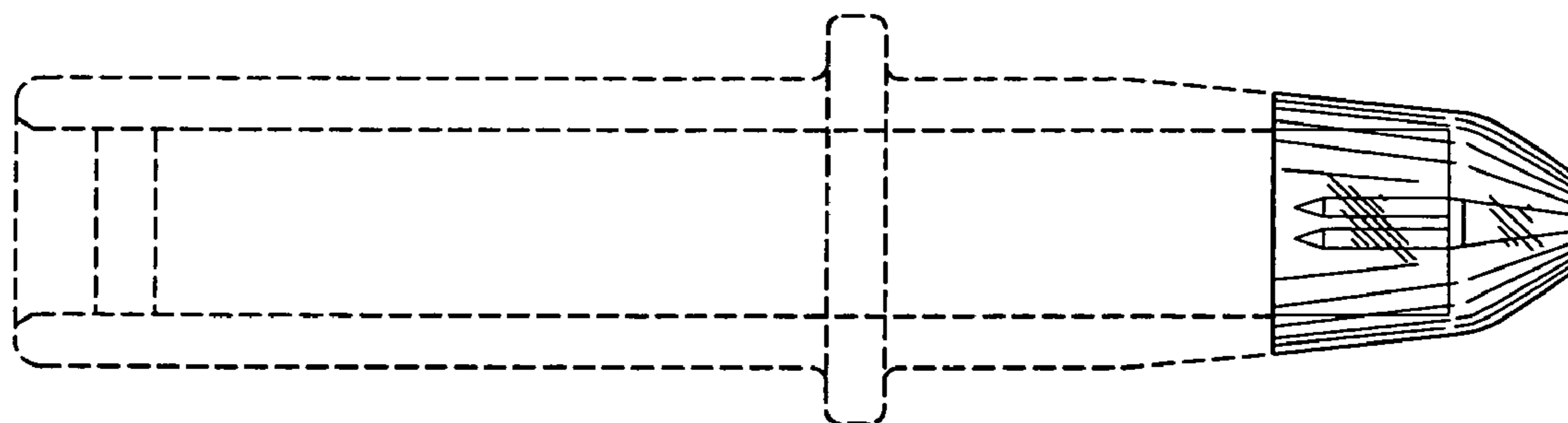


FIG. 4

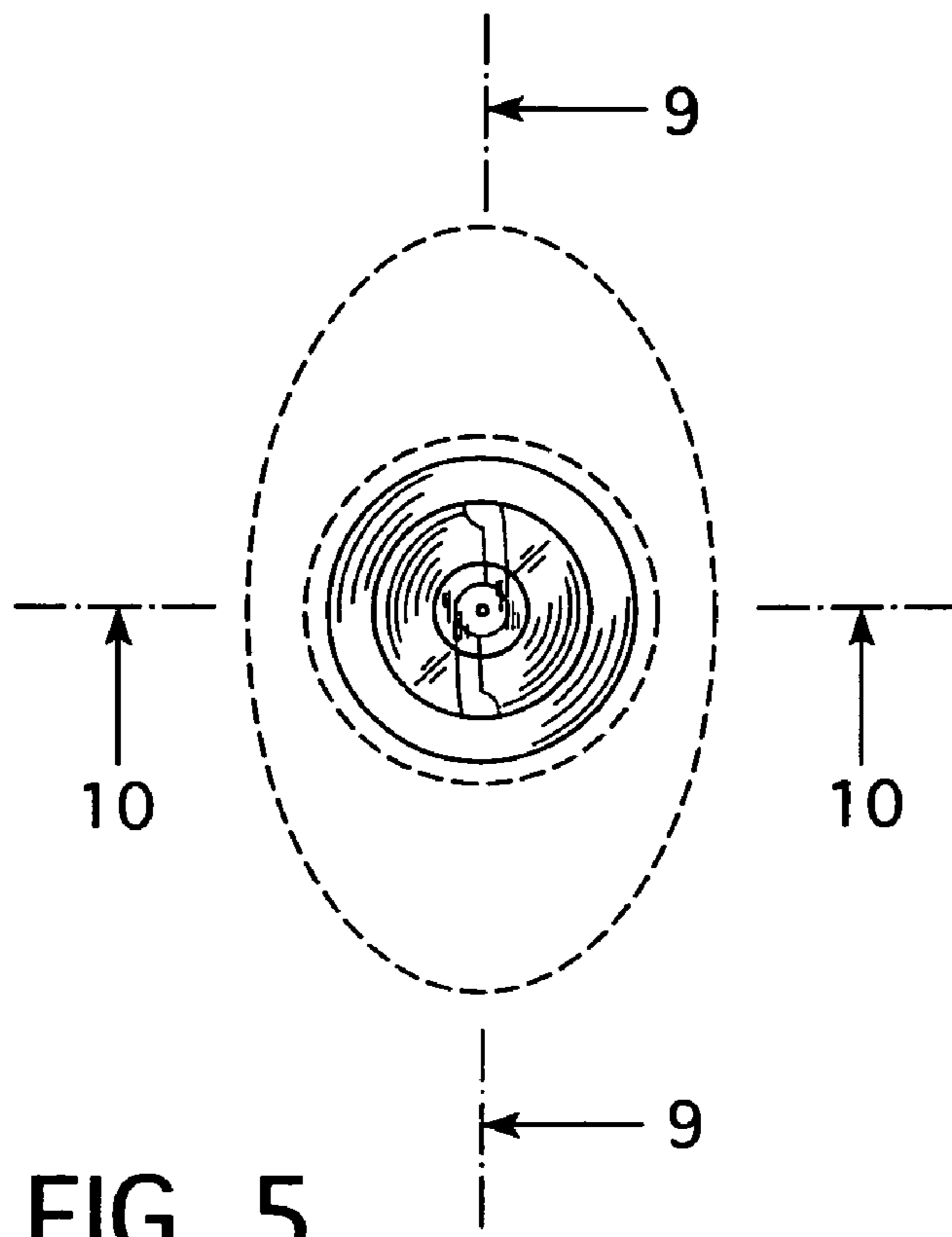


FIG. 5

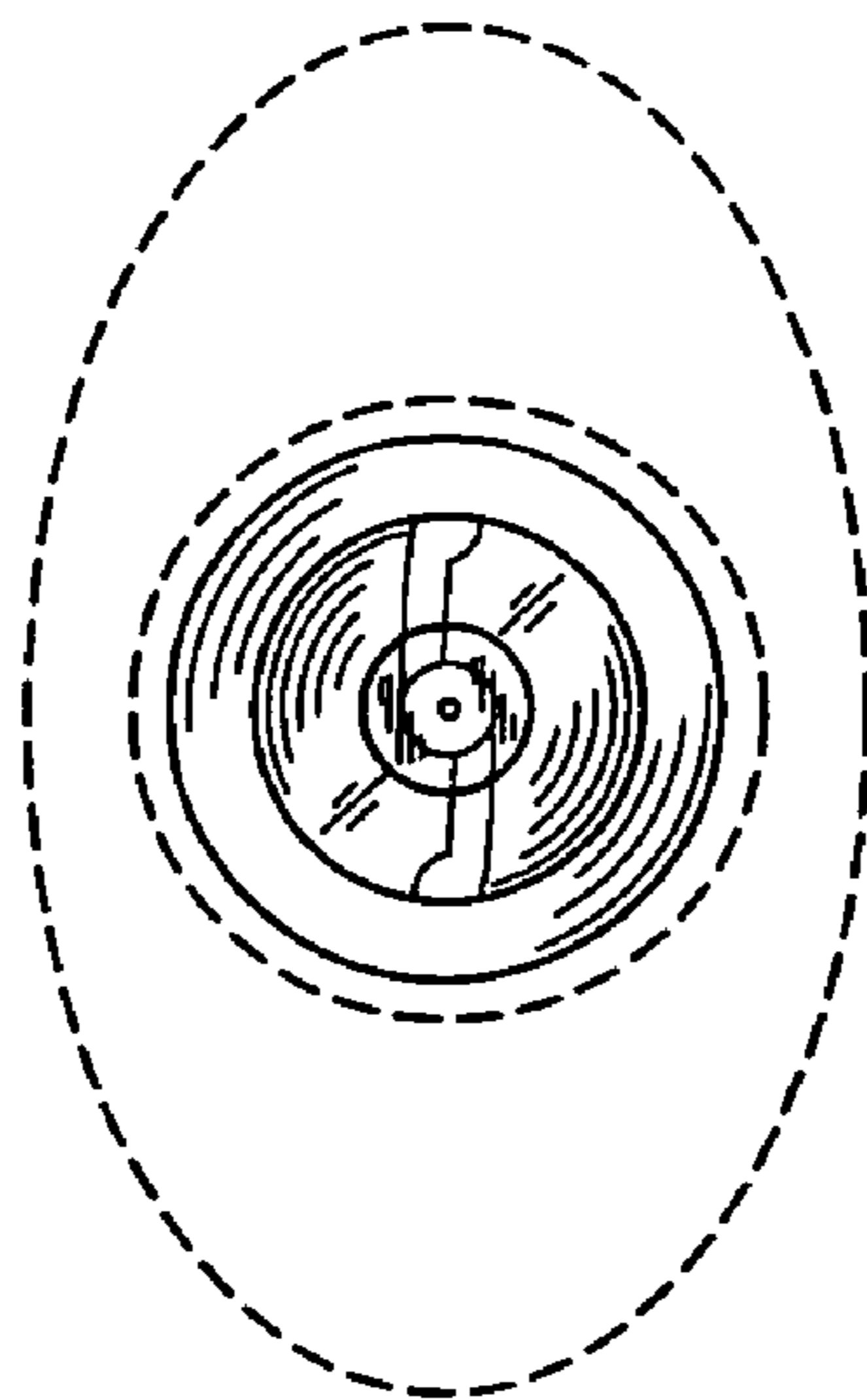


FIG. 6

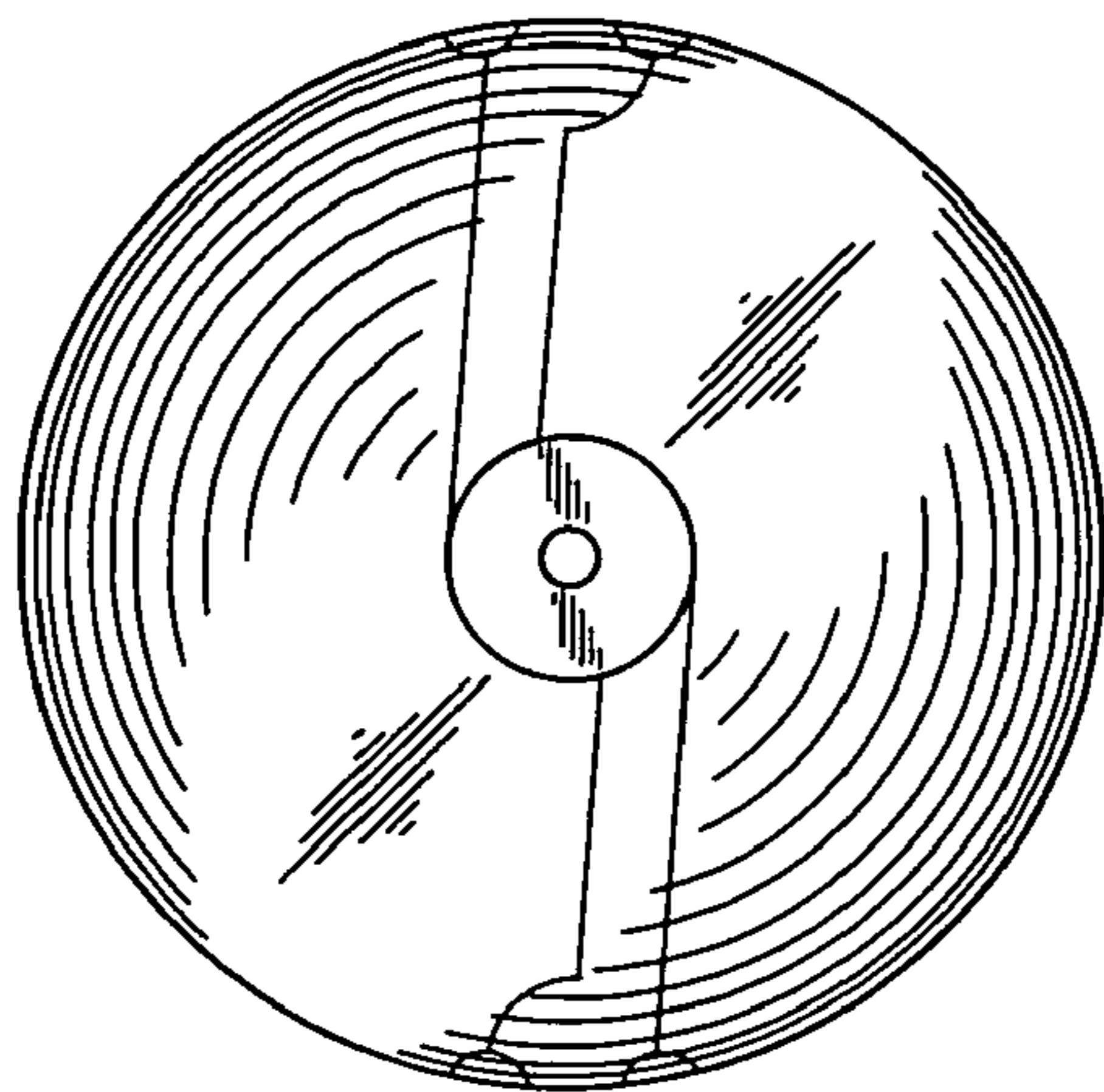


FIG. 7

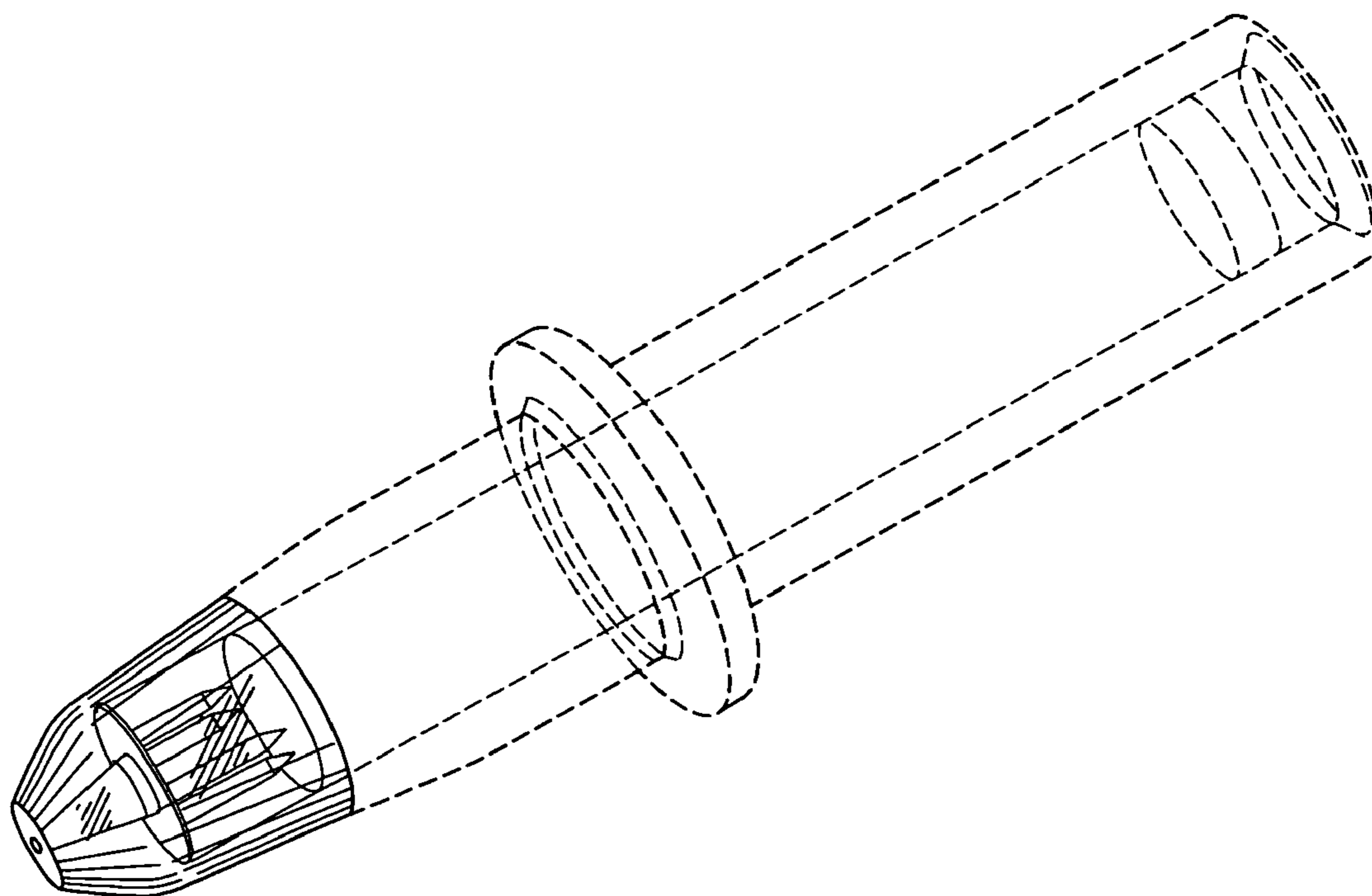


FIG. 8

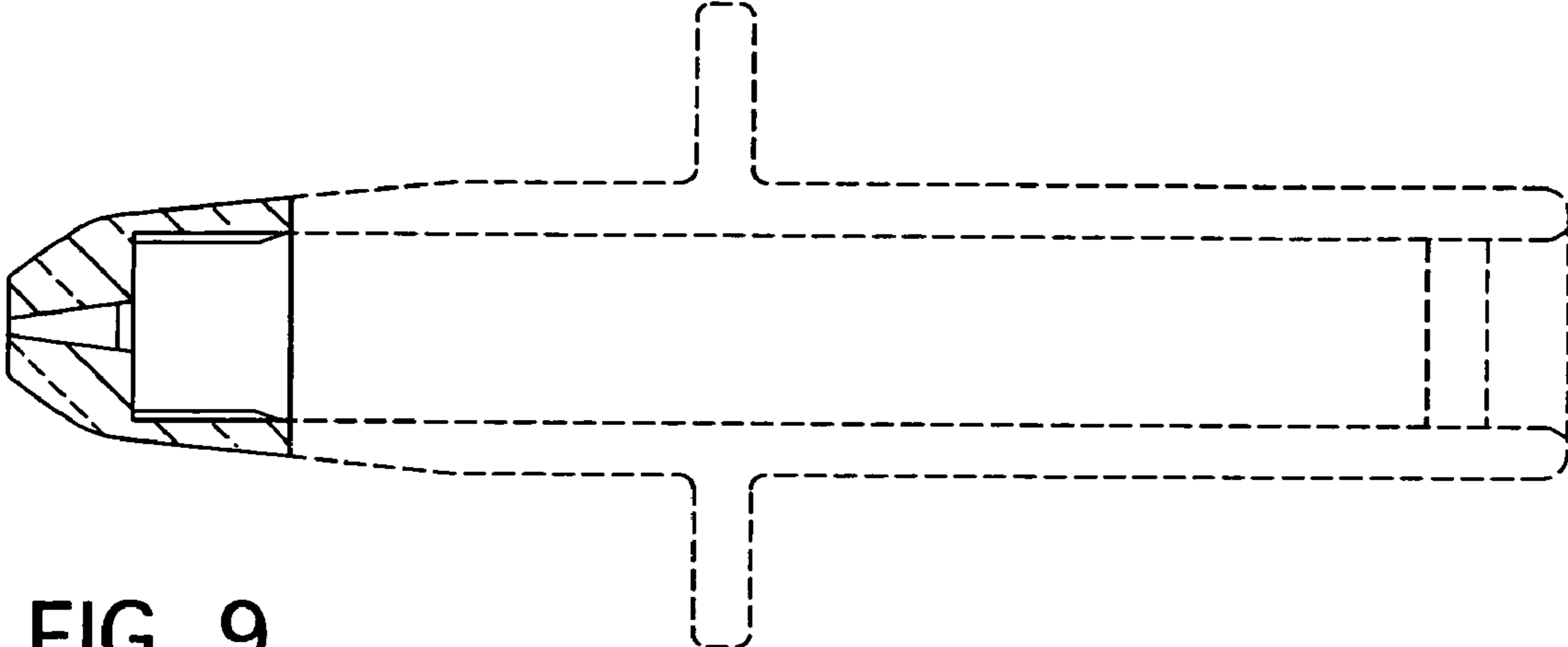


FIG. 9

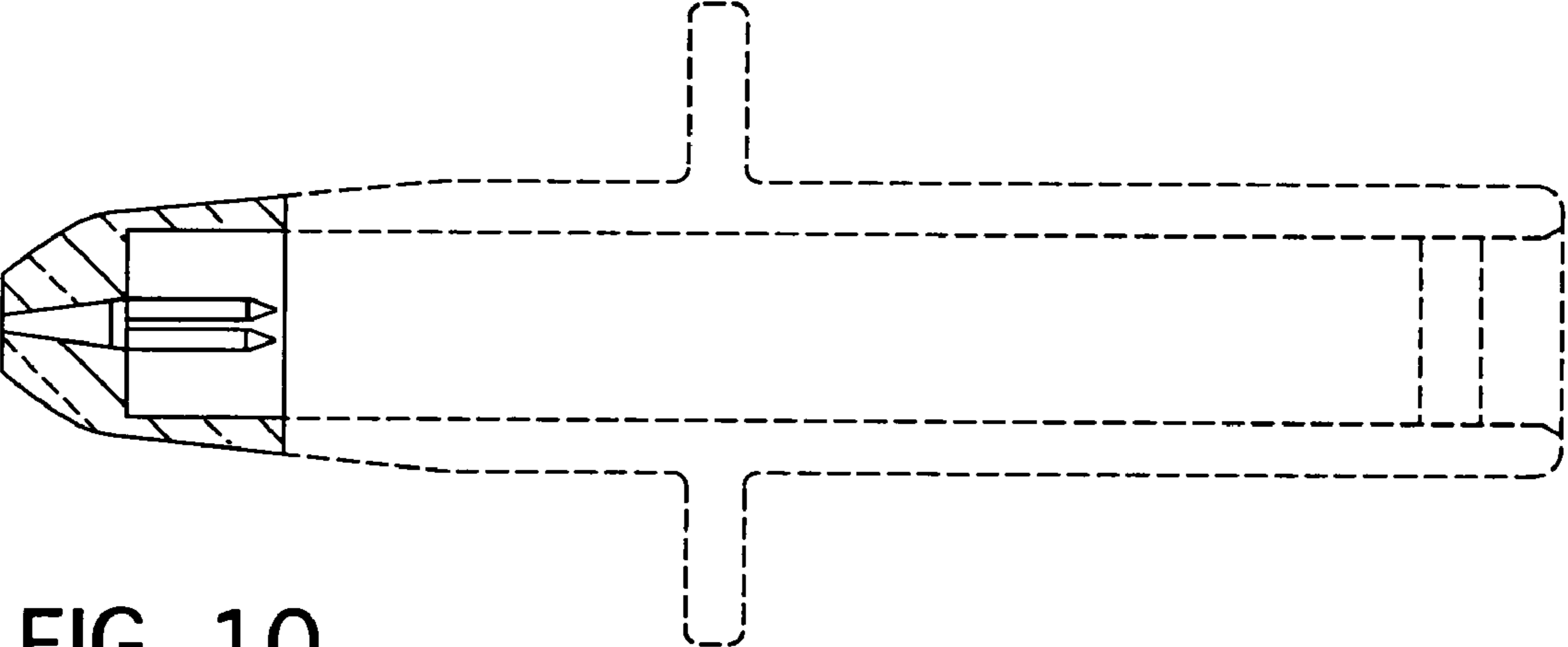


FIG. 10