

US00D592740S

(12) **United States Design Patent**  
**Catrino**

(10) **Patent No.:** **US D592,740 S**

(45) **Date of Patent:** **\*\* May 19, 2009**

(54) **BODY FOR A PORTABLE HEATER**

D521,132 S \* 5/2006 Blateri ..... D23/335

(75) Inventor: **Matthew Catrino**, Philadelphia, PA  
(US)

\* cited by examiner

(73) Assignee: **Lasko Holdings, Inc.**, Wilmington, DE  
(US)

*Primary Examiner*—T. Chase Nelson

*Assistant Examiner*—Michael A Pratt

(74) *Attorney, Agent, or Firm*—Martin Fruitman

(\*\*) Term: **14 Years**

(57) **CLAIM**

(21) Appl. No.: **29/294,962**

The ornamental design for a body for a portable heater, as shown and described.

(22) Filed: **Feb. 4, 2008**

**DESCRIPTION**

(51) **LOC (9) Cl.** ..... **23-03**

(52) **U.S. Cl.** ..... **D23/332**

(58) **Field of Classification Search** ..... D23/328,  
D23/332, 342–345, 350, 404; 126/500, 520,  
126/523, 527, 536, 544, 555, 25 A, 58, 8,  
126/512, 92 R

See application file for complete search history.

FIG. 1 is a right side front perspective view of a body for a portable heater showing my new design;

FIG. 2 is a rear perspective view thereof;

FIG. 3 is a front elevation view thereof;

FIG. 4 is a right side elevation view thereof;

FIG. 5 is a left side elevation view thereof;

FIG. 6 is a rear elevation view thereof; and,

FIG. 7 is a top plan view thereof.

(56) **References Cited**

**U.S. PATENT DOCUMENTS**

D456,066 S \* 4/2002 Ching ..... D23/335

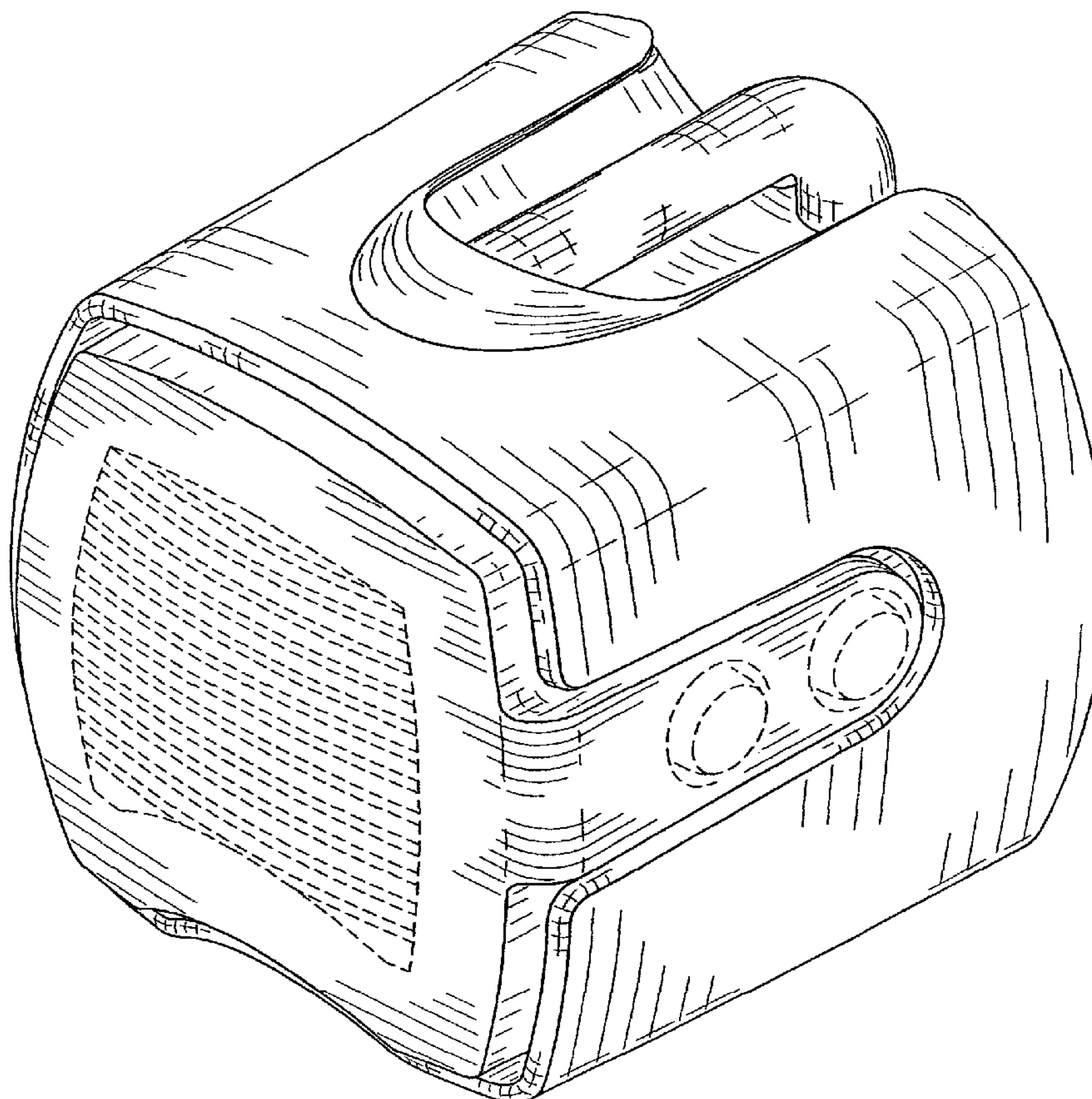
D516,688 S \* 3/2006 Blateri ..... D23/335

D518,563 S \* 4/2006 Blateri ..... D23/335

D519,194 S \* 4/2006 Blateri ..... D23/335

The portions of the body for a portable heater shown in broken lines form no part of the claimed design.

**1 Claim, 7 Drawing Sheets**



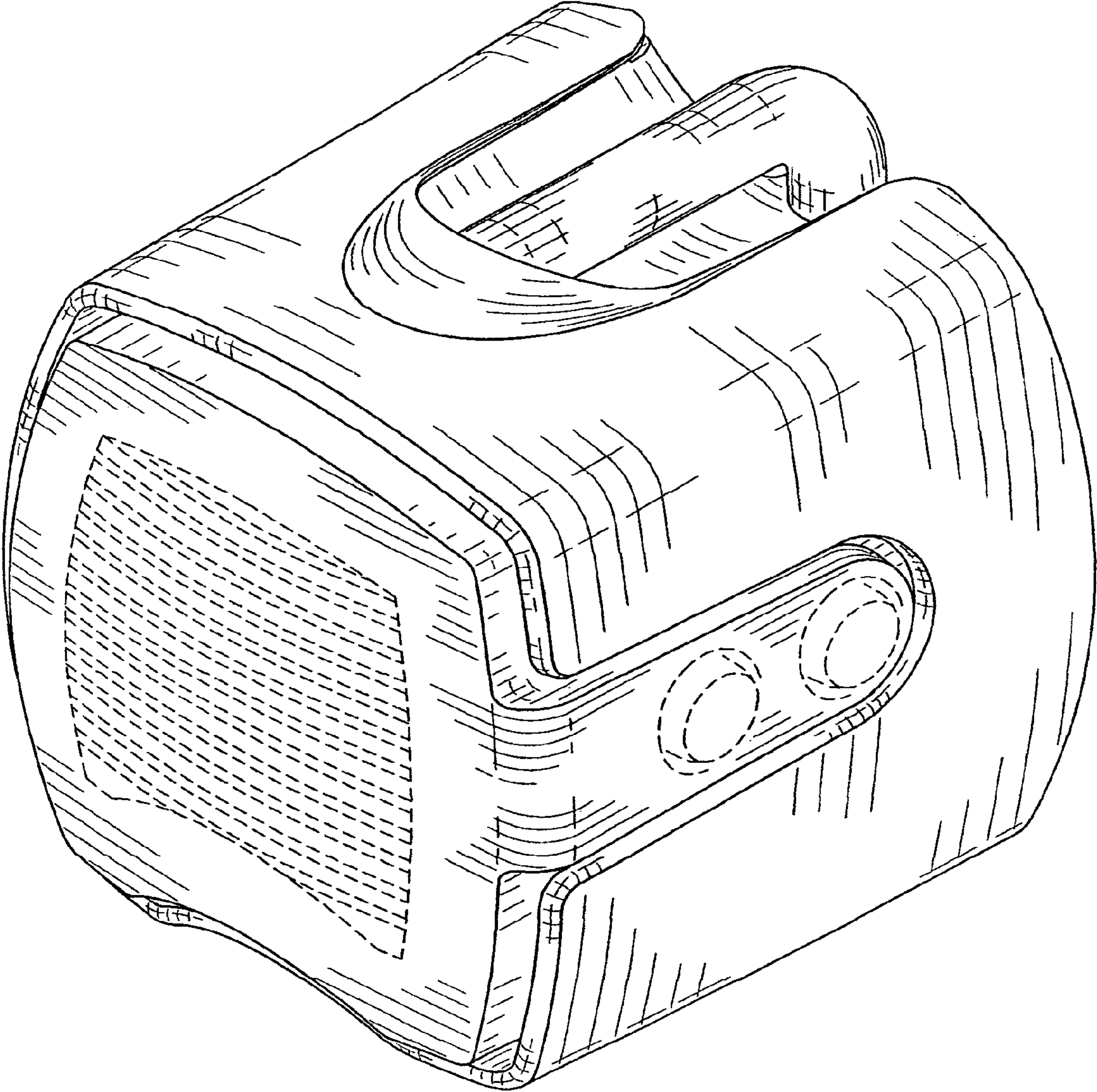


FIG. 1



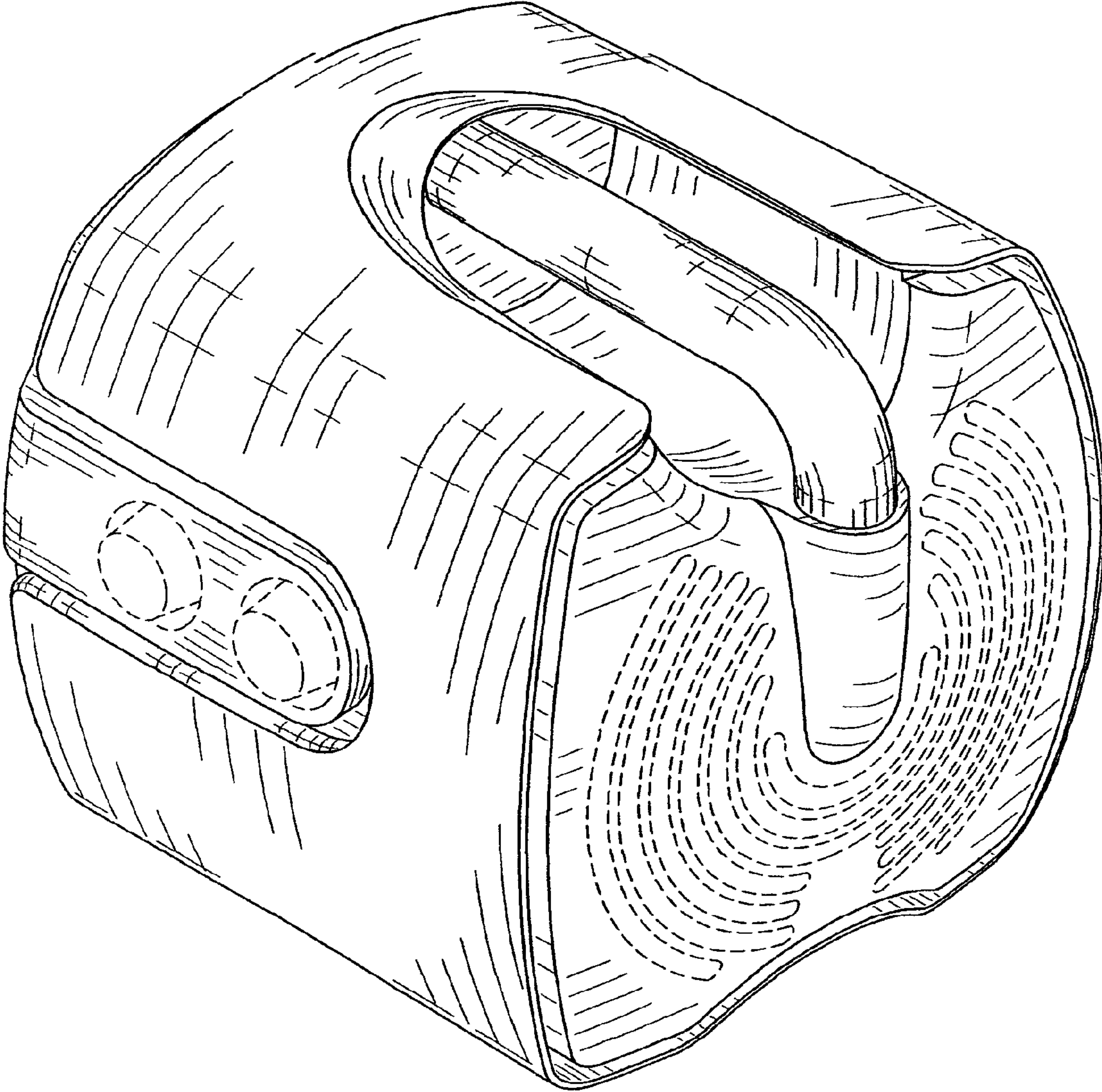


FIG. 2

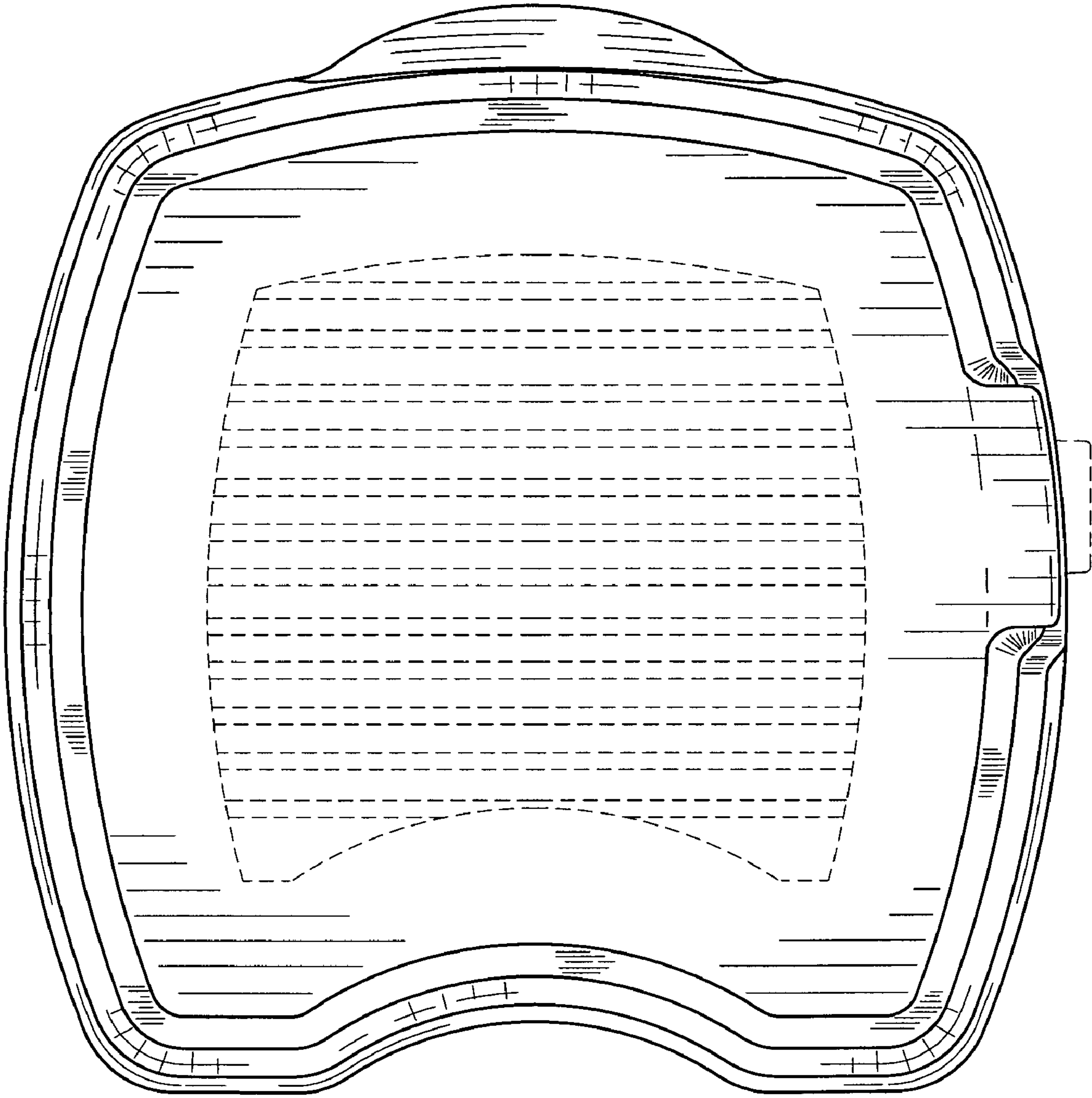


FIG. 3

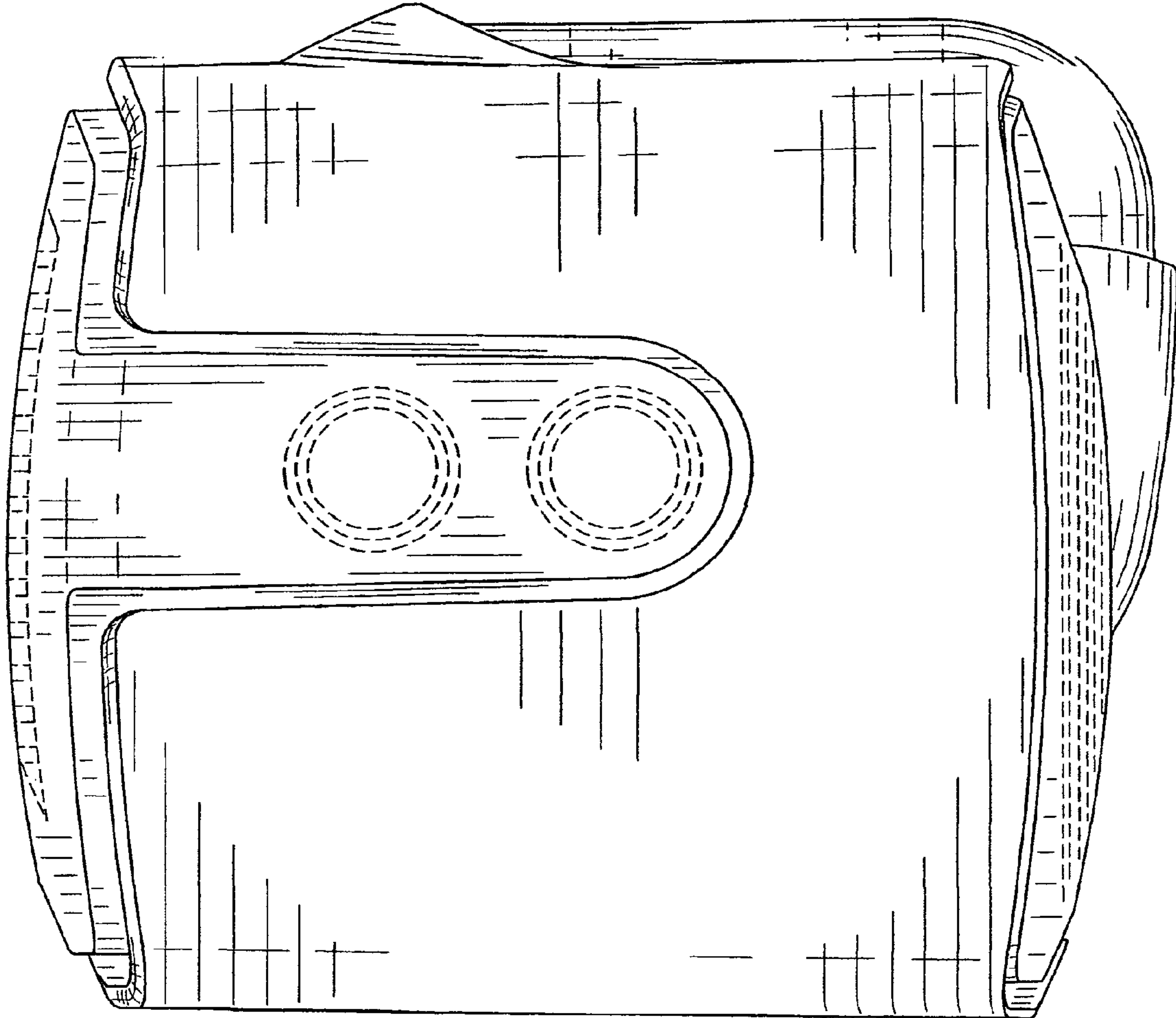


FIG. 4

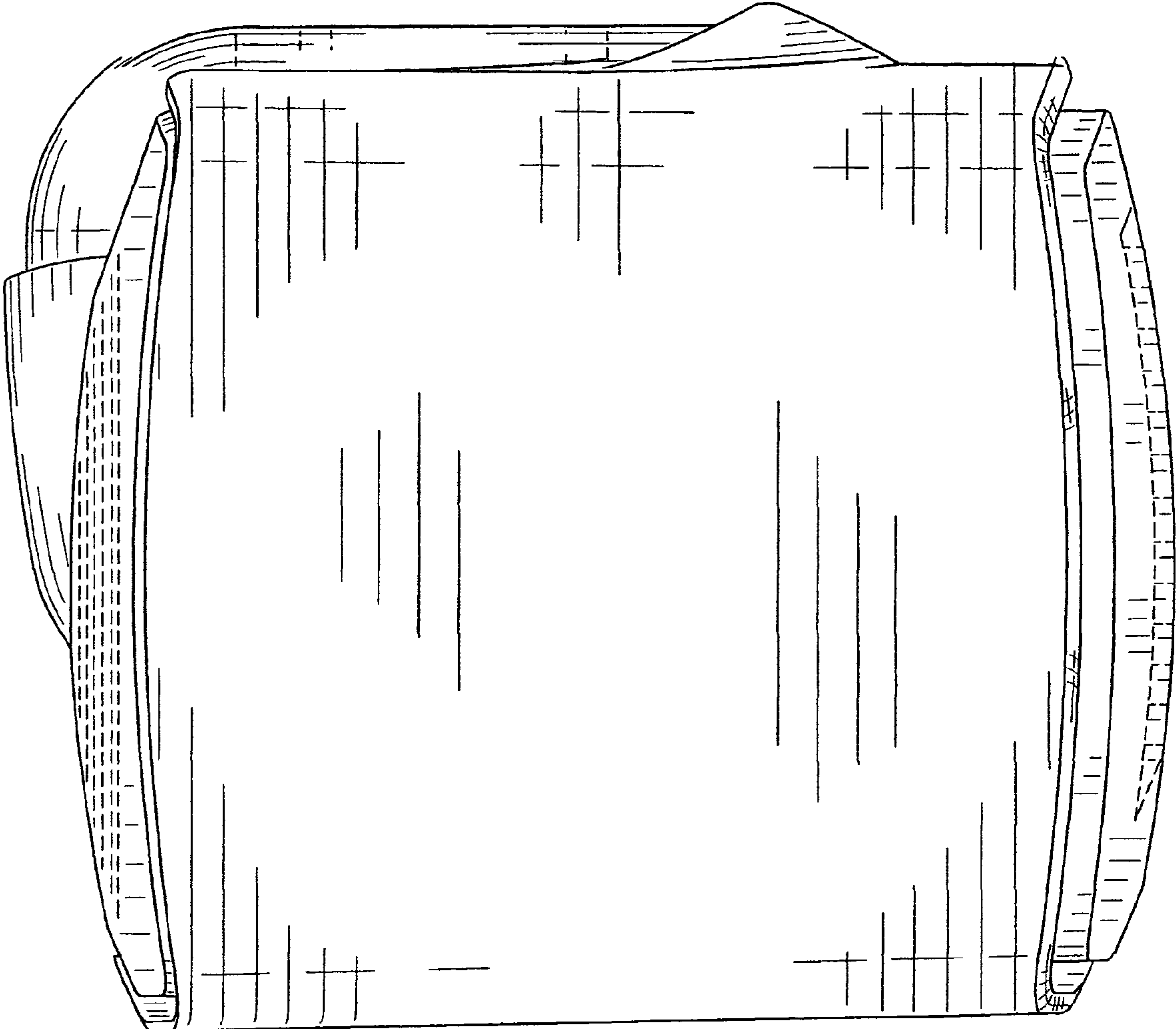


FIG. 5

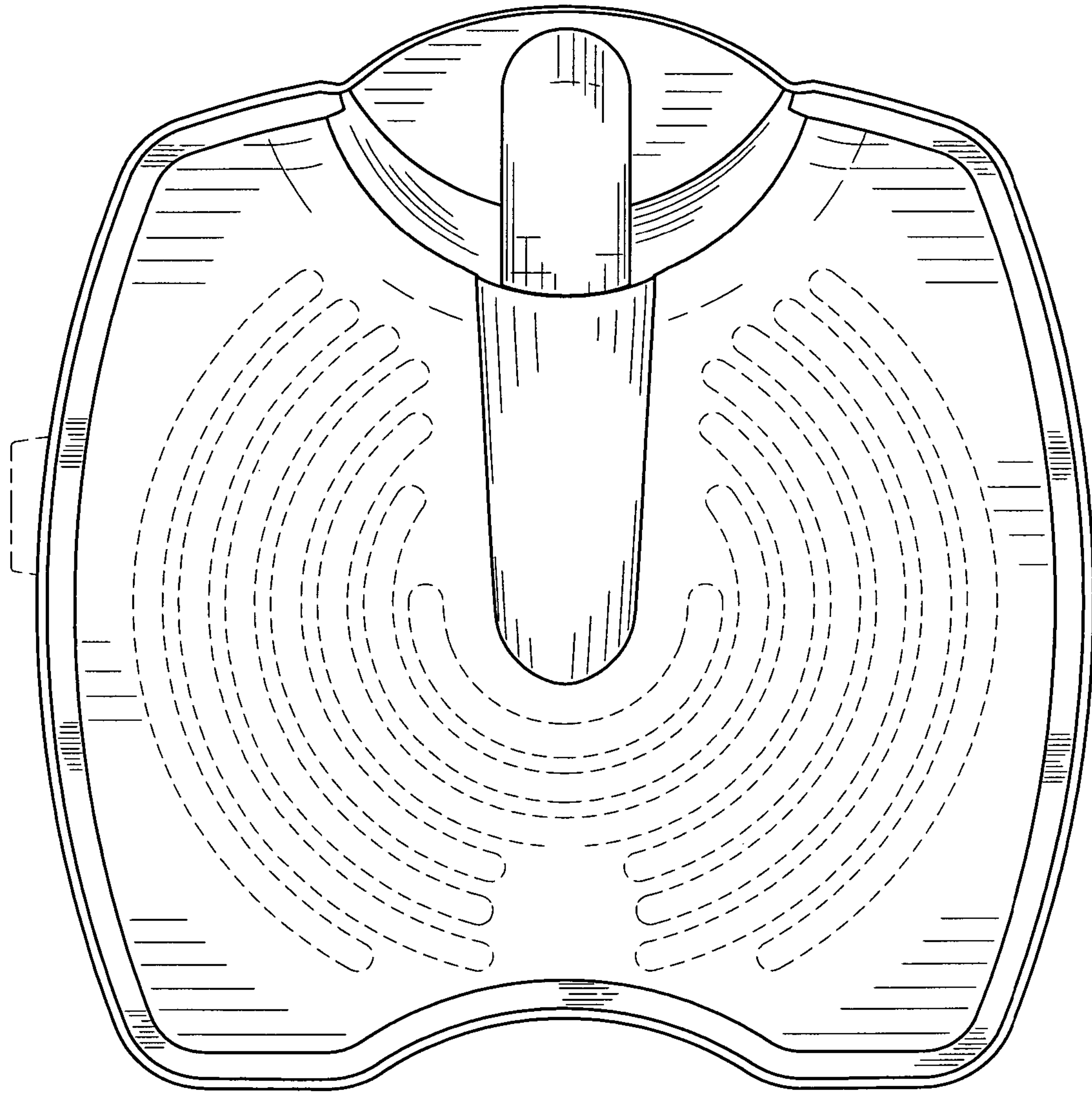


FIG. 6



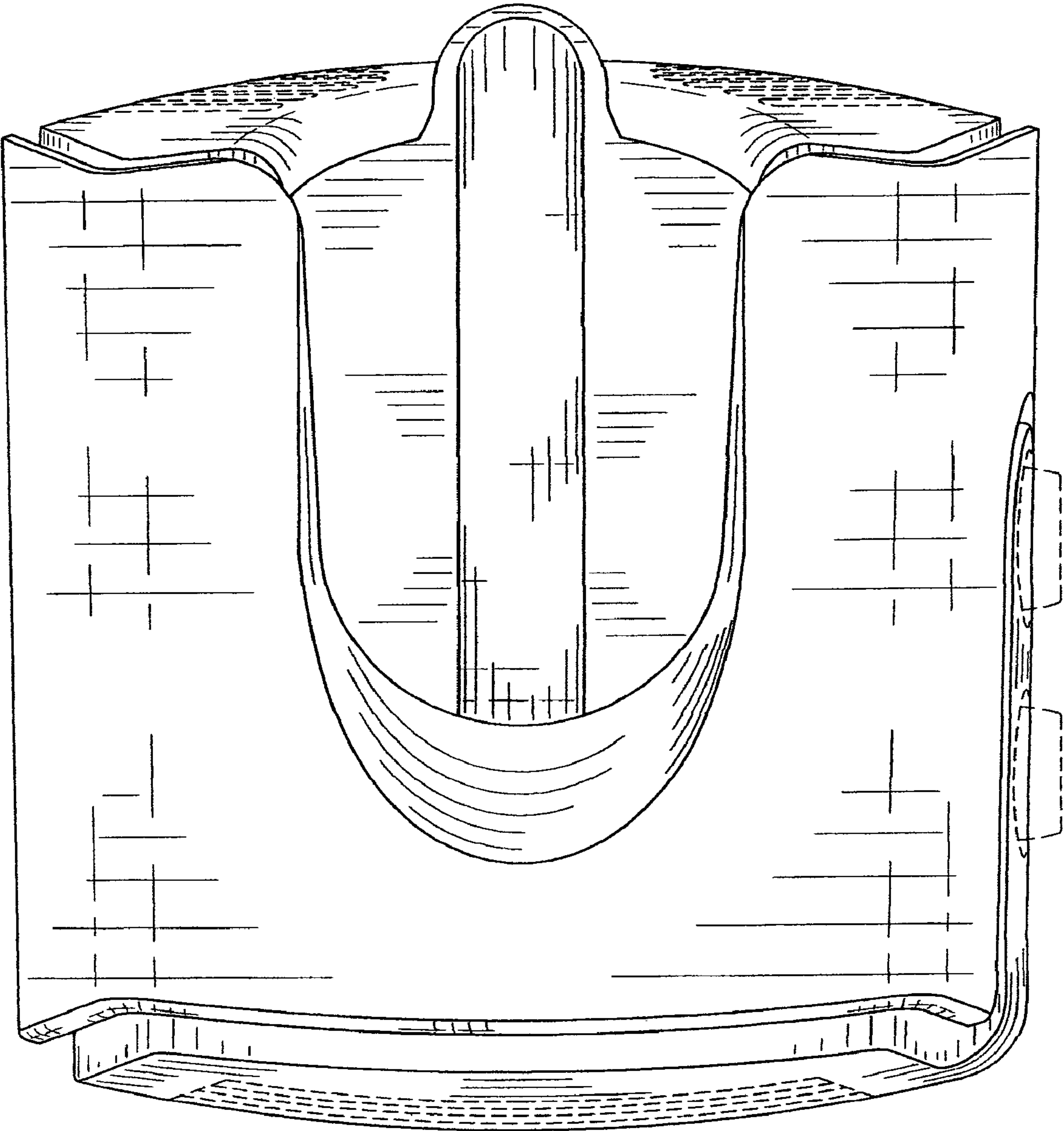


FIG. 7