



US00D592739S

(12) **United States Design Patent**
Patterson

(10) **Patent No.:** **US D592,739 S**

(45) **Date of Patent:** **** May 19, 2009**

(54) **TUB ENCLOSURE**

(75) Inventor: **Charles A. Patterson**, Durango, CO
(US)

(73) Assignee: **Masco Bath Corporation**, Moorestown,
NJ (US)

(**) Term: **14 Years**

(21) Appl. No.: **29/284,405**

(22) Filed: **Sep. 7, 2007**

(51) **LOC (9) Cl.** **23-02**

(52) **U.S. Cl.** **D23/305**

(58) **Field of Classification Search** D23/293,
D23/275-280.1, 303, 304-306, 273, 283;
4/663, 538-539, 546, 552, 586, 596, 614
See application file for complete search history.

(56) **References Cited**

U.S. PATENT DOCUMENTS

D444,866 S * 7/2001 Paredes D23/305

D561,307 S * 2/2008 Breymaier et al. D23/275
D570,967 S * 6/2008 Hood D23/275
D576,262 S * 9/2008 Ishiyama et al. D23/305

* cited by examiner

Primary Examiner—Robert A Delehanty

(74) *Attorney, Agent, or Firm*—Nirav D. Parikh; Edgar A.
Zarins

(57) **CLAIM**

An ornamental design for a tub enclosure, as shown and
described.

DESCRIPTION

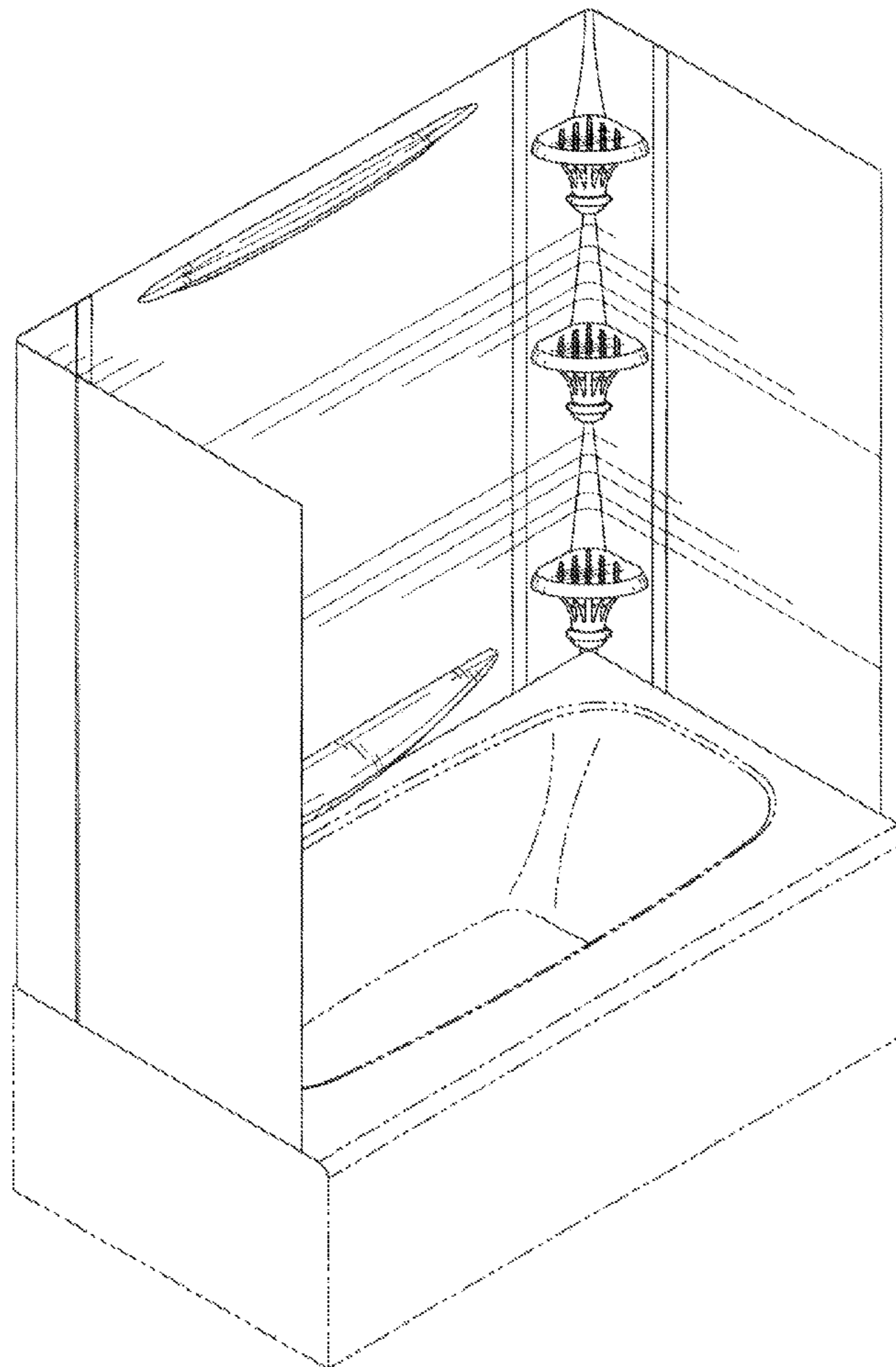
FIG. 1 is a perspective view of the tub enclosure showing my
new design;

FIG. 2 is a front view thereof; and,

FIG. 3 is a top plan view thereof.

The broken lines showing of the tub is for illustrative pur-
poses only and forms no part of the claimed design.

1 Claim, 3 Drawing Sheets



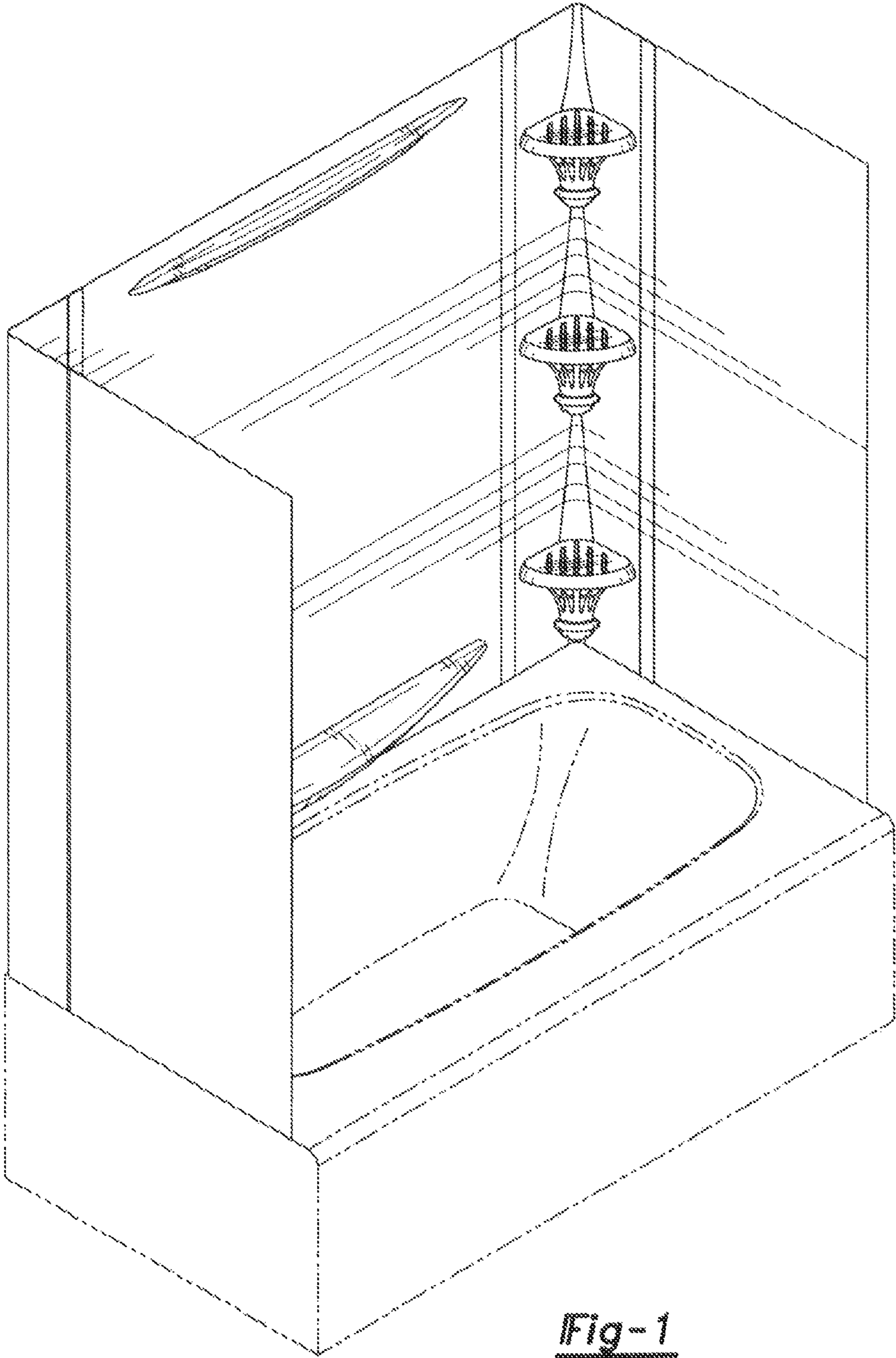


Fig-1

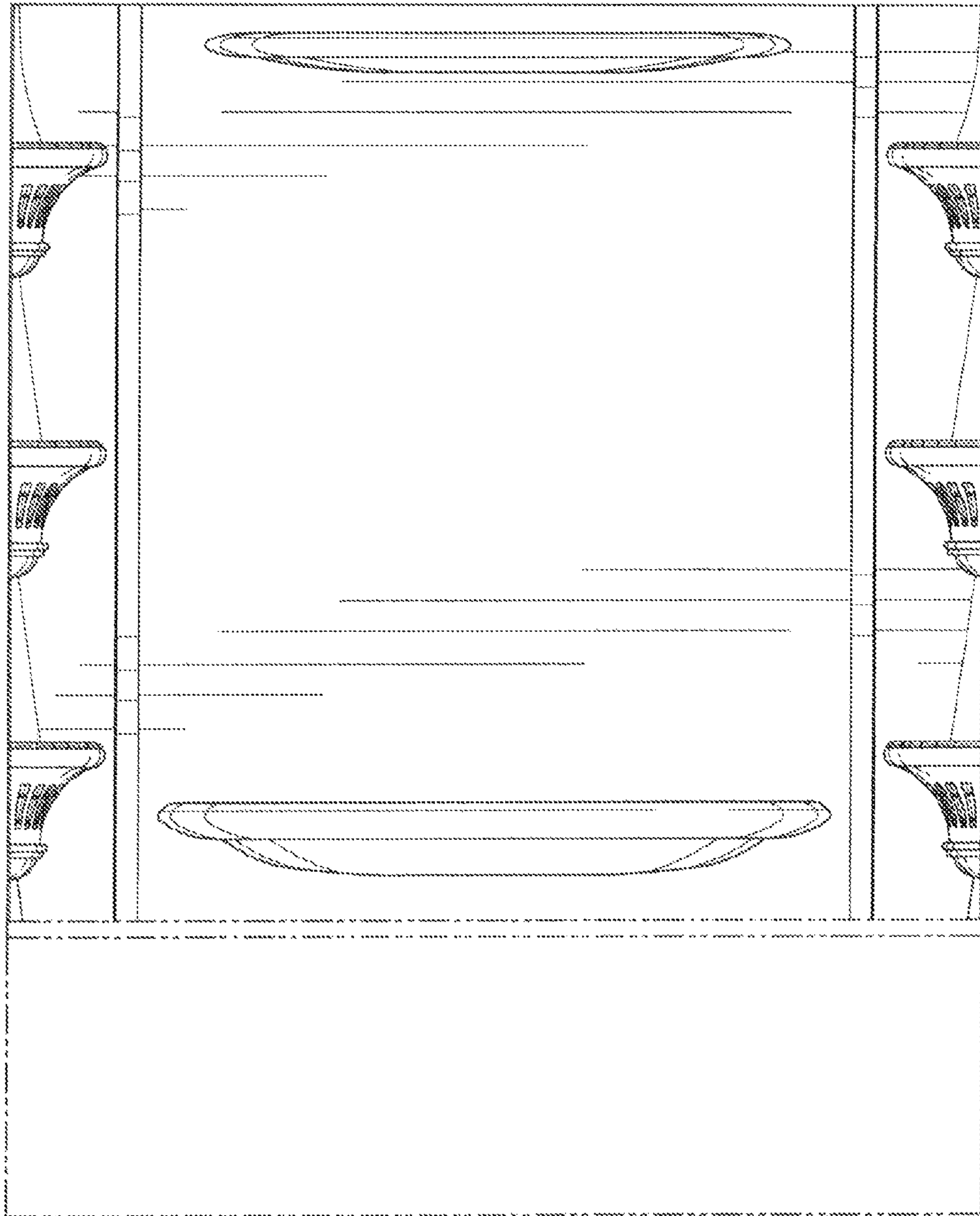


Fig-2

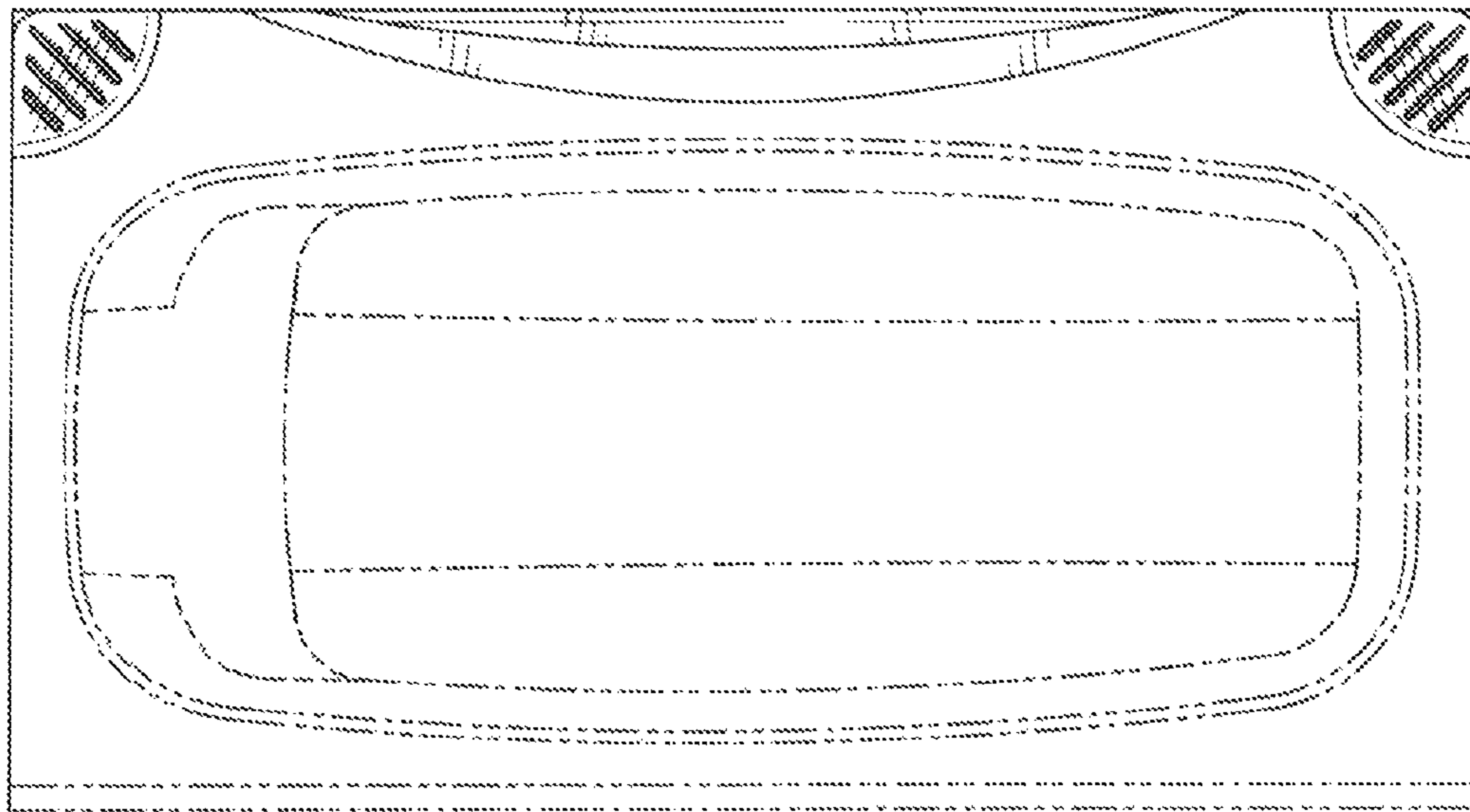


Fig-3