

US00D592737S

(12) **United States Design Patent**
Cunningham

(10) **Patent No.:** **US D592,737 S**

(45) **Date of Patent:** **** May 19, 2009**

(54) **BATHTUB**

D536,769 S * 2/2007 Lanius D23/280.1
D543,283 S * 5/2007 Larsen D24/204

(75) Inventor: **Jeffery L. Cunningham**, Cabot, AR
(US)

* cited by examiner

(73) Assignee: **Jason International, Inc.**, North Little
Rock, AR (US)

Primary Examiner—Robert A Delehanty
(74) *Attorney, Agent, or Firm*—Banner & Witcoff, Ltd.

(**) Term: **14 Years**

(57) **CLAIM**

(21) Appl. No.: **29/317,409**

The ornamental design for a bathtub, as shown and described.

(22) Filed: **Apr. 29, 2008**

DESCRIPTION

(51) **LOC (9) Cl.** **23-02**

FIG. 1 is a perspective view of a bathtub showing my new design;

(52) **U.S. Cl.** **D23/277; D24/204**

FIG. 2 is a front view thereof;

(58) **Field of Classification Search** D23/293,
D23/275–280.1, 303, 304–306; D24/204;
4/663, 538–539, 541.1, 546, 586, 574.1

FIG. 3 is a rear view thereof;

See application file for complete search history.

FIG. 4 is a right side view thereof;

FIG. 5 is a left side view thereof;

(56) **References Cited**

FIG. 6 is a top view thereof; and,

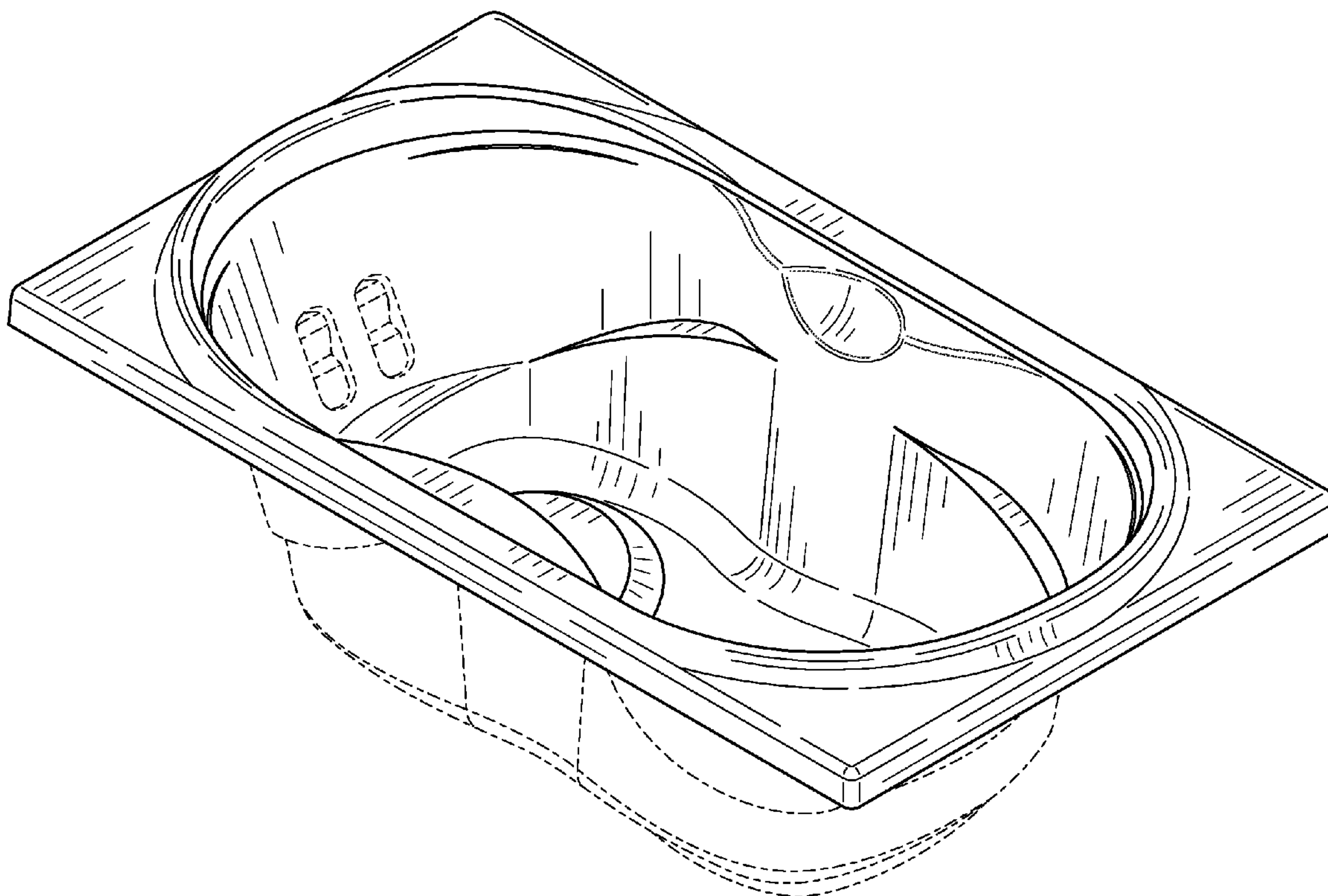
FIG. 7 is a bottom view thereof.

U.S. PATENT DOCUMENTS

D323,701 S * 2/1992 Primucci et al. D23/277
D323,702 S * 2/1992 Primucci et al. D23/277
D526,707 S * 8/2006 Lanius D23/280.1
D528,662 S * 9/2006 Jacuzzi et al. D24/204

The broken line showing of the remainder of the bathtub is for illustrative purposes and forms no part of the claimed design.

1 Claim, 4 Drawing Sheets



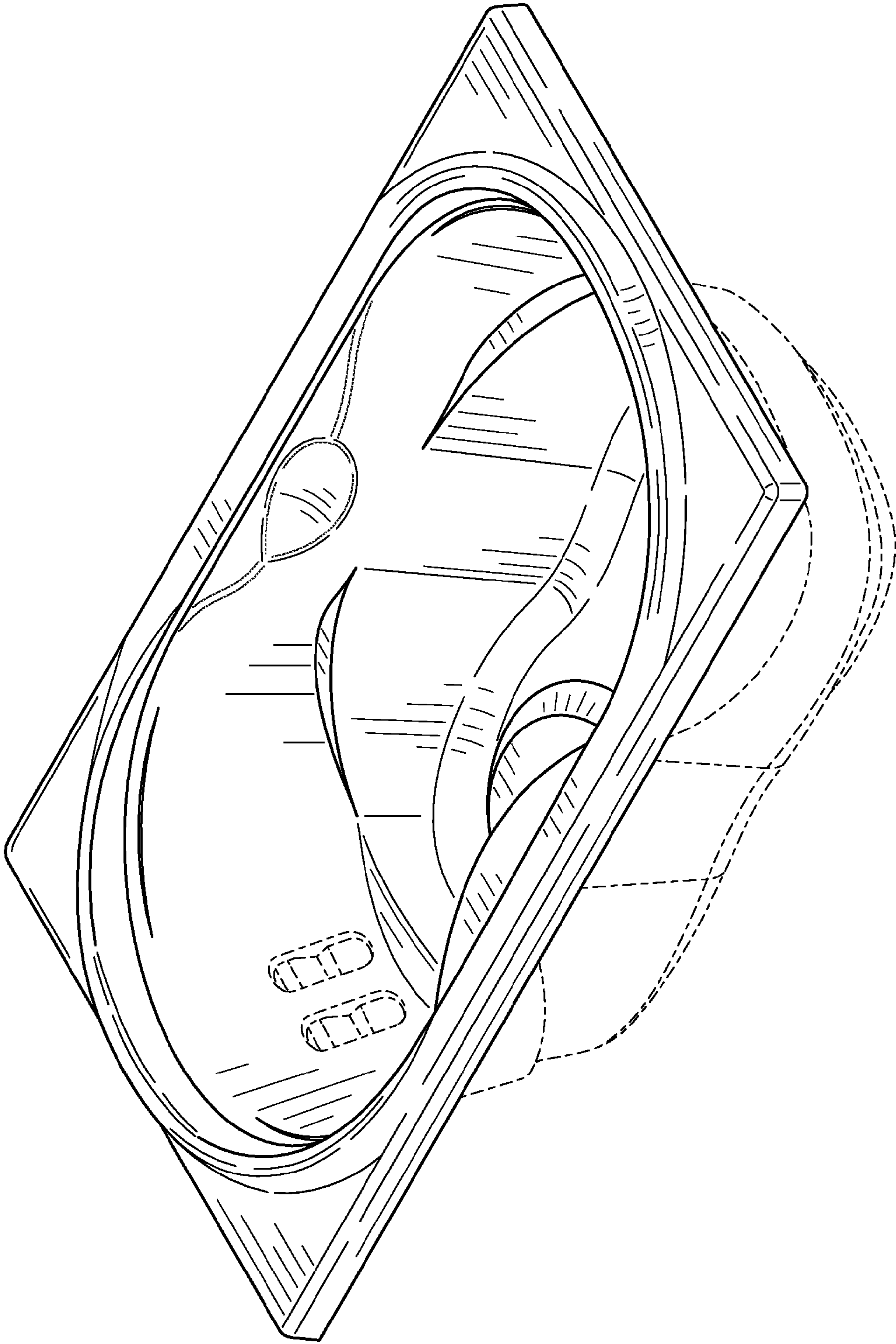


FIG. 1

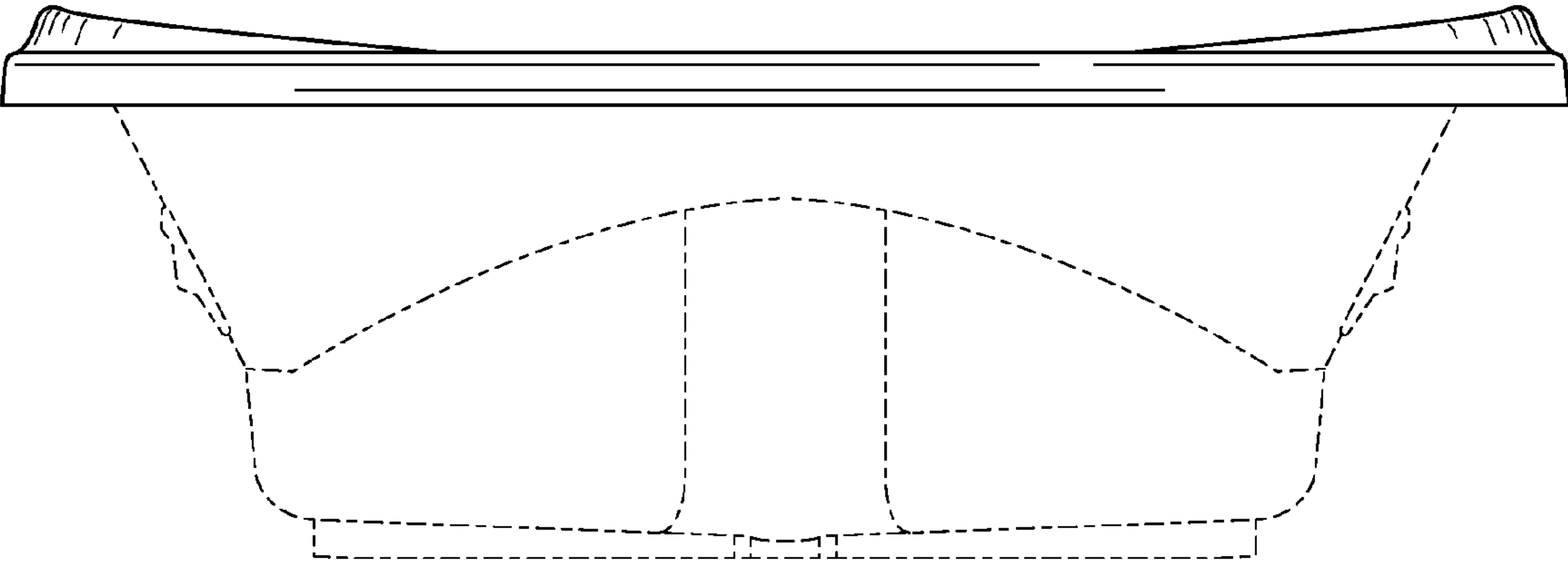


FIG. 2

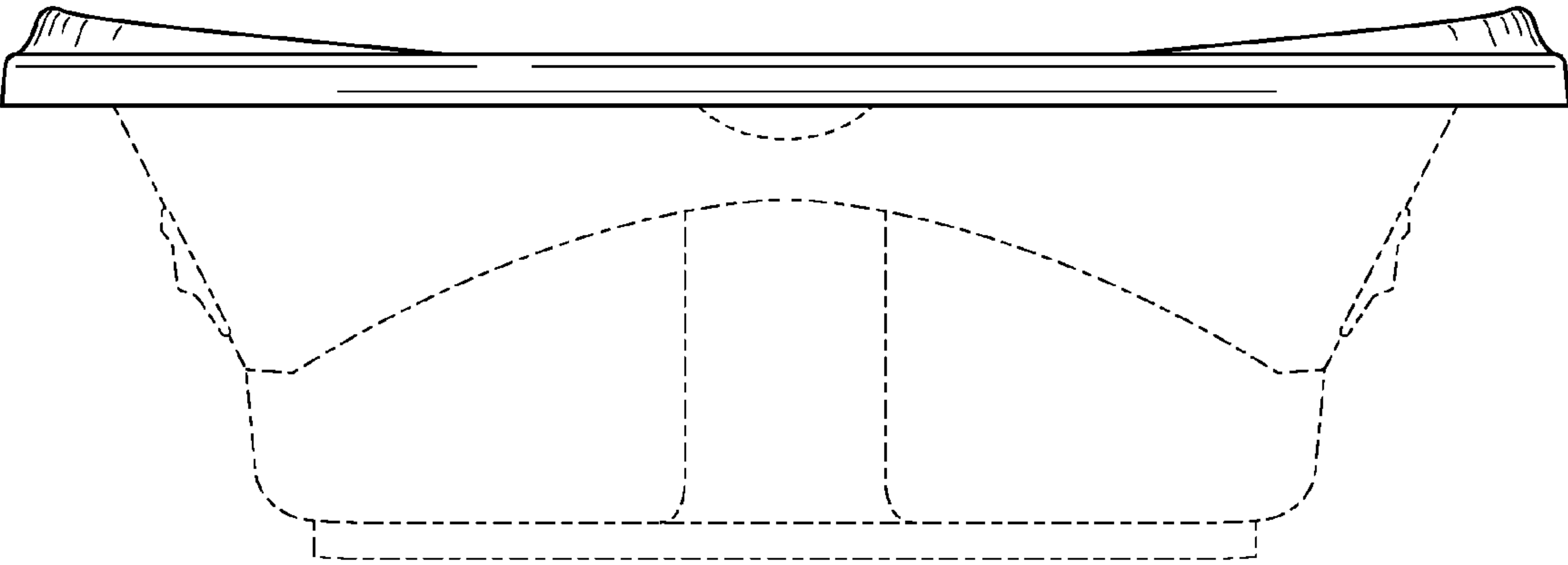


FIG. 3

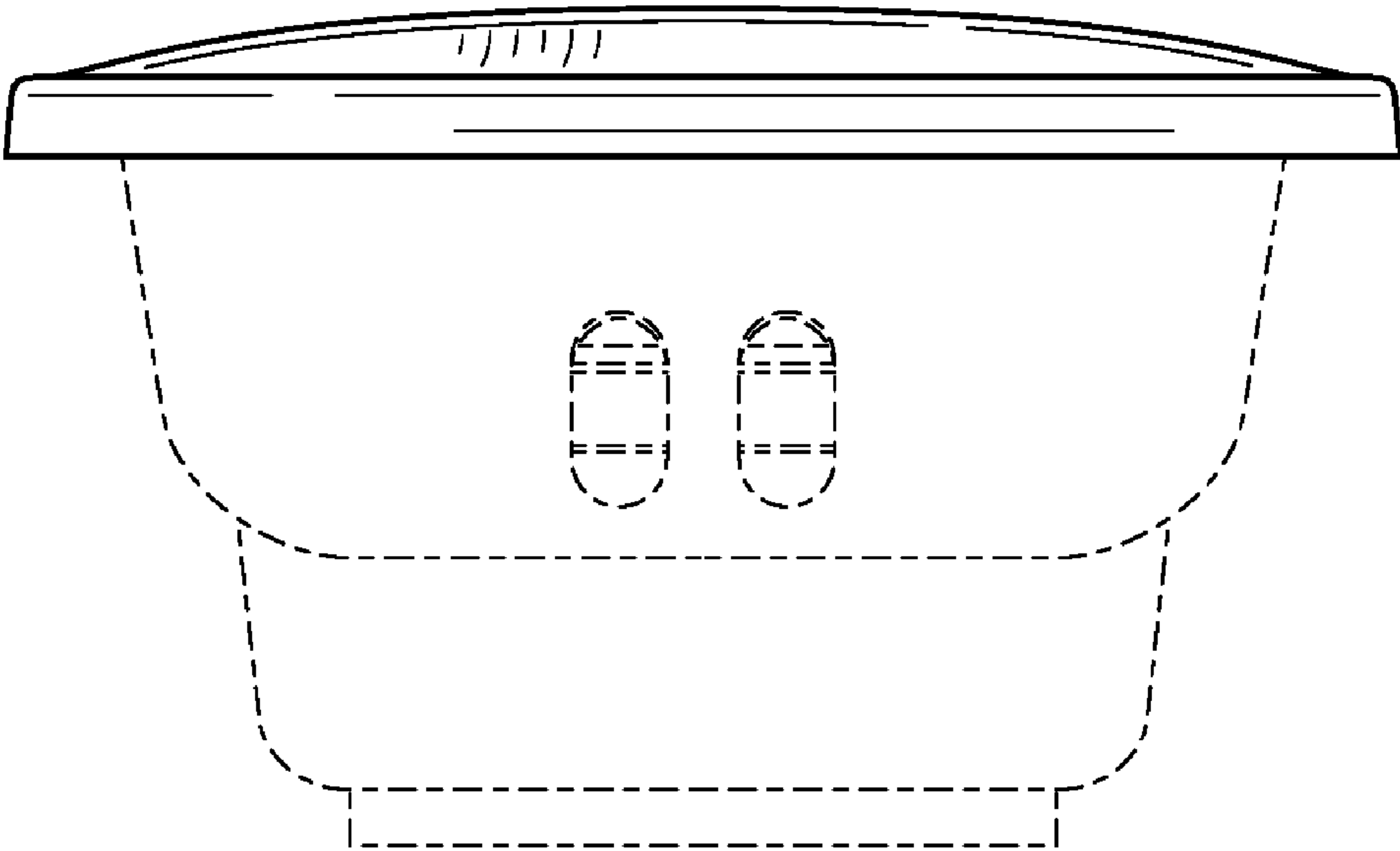


FIG. 4

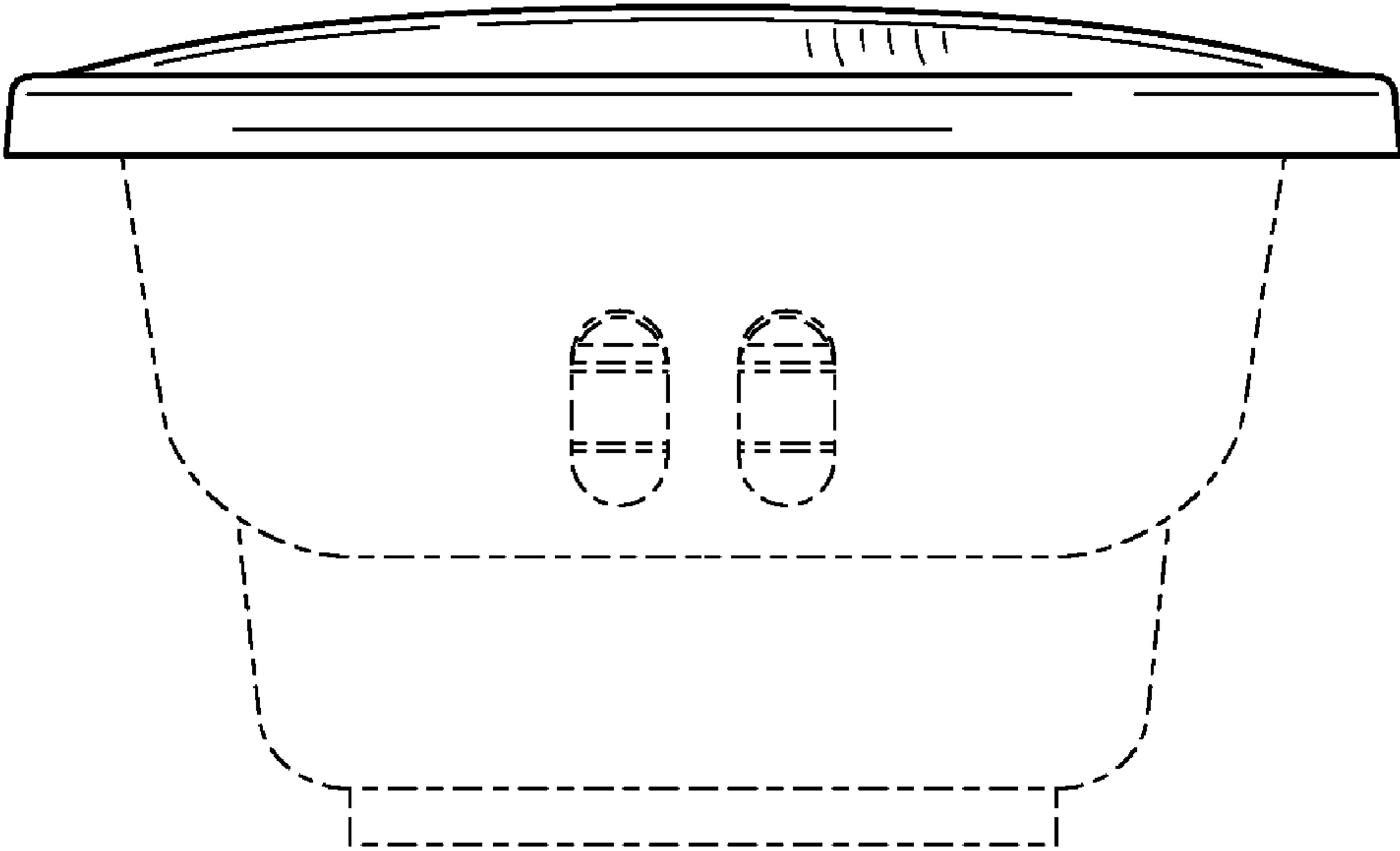


FIG. 5

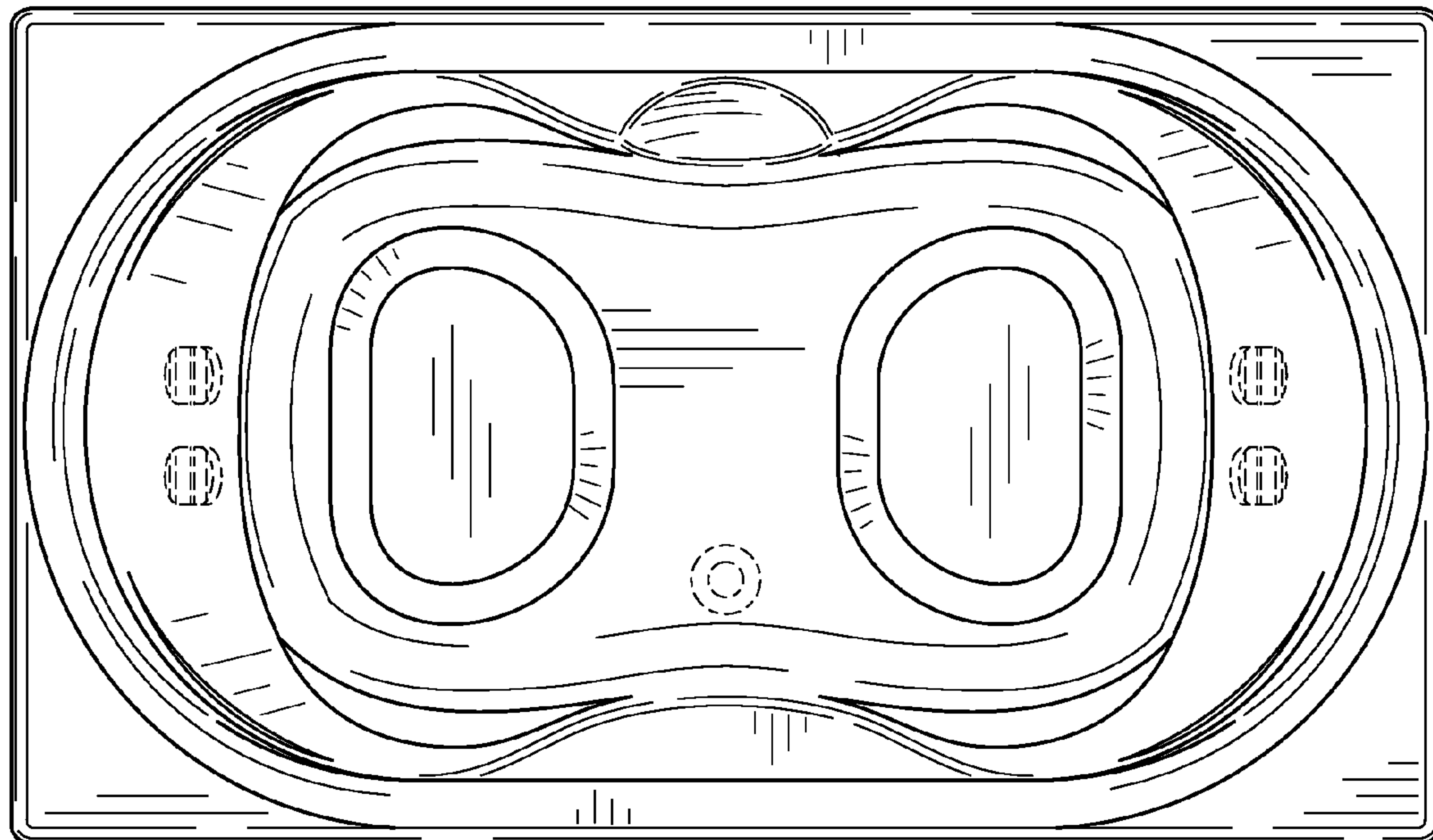


FIG. 6

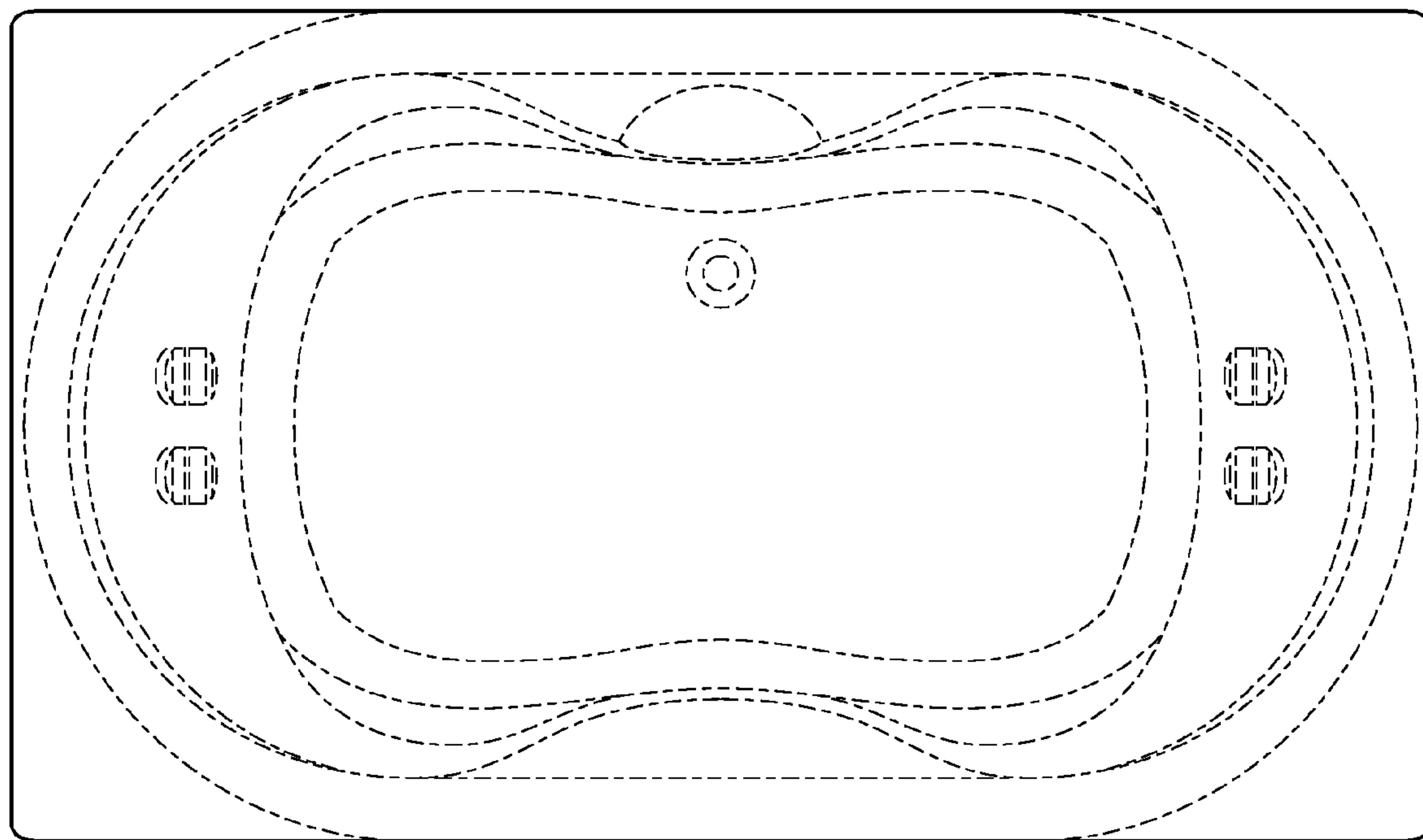


FIG. 7