



US00D592735S

(12) **United States Design Patent**  
**Scoley et al.**

(10) **Patent No.:** **US D592,735 S**

(45) **Date of Patent:** **\*\* May 19, 2009**

(54) **WASHROOM FOR AN AIRCRAFT**  
(75) Inventors: **Ian Scoley**, Hamburg (DE); **Ben Rowan**, London (GB)  
(73) Assignee: **Airbus Deutschland GmbH** (DE)  
(\*\*) Term: **14 Years**  
(21) Appl. No.: **29/286,691**  
(22) Filed: **May 16, 2007**

(30) **Foreign Application Priority Data**  
Nov. 16, 2006 (EM) ..... 000622154-0001  
Nov. 16, 2006 (EM) ..... 000622154-0002

(51) **LOC (9) Cl.** ..... **23-02**  
(52) **U.S. Cl.** ..... **D23/274; D23/287**  
(58) **Field of Classification Search** ..... D23/270-274,  
D23/286, 303, 308; D6/441; D12/345, 319;  
4/662-665, 619, 661, 670, 210, DIG. 15;  
244/118.5; 49/40  
See application file for complete search history.

(56) **References Cited**  
**U.S. PATENT DOCUMENTS**  
371,084 A \* 10/1887 Mann ..... 4/631  
D51,222 S \* 9/1917 Bush ..... D23/271  
D251,065 S \* 2/1979 Campbell ..... D23/274  
D265,235 S \* 6/1982 Keller ..... D23/274

4,884,767 A \* 12/1989 Shibata ..... 244/118.5  
D485,089 S \* 1/2004 Roseman ..... D6/425  
D486,565 S \* 2/2004 Itakura ..... D23/274  
7,100,872 B2 \* 9/2006 Quan ..... 244/118.5  
D544,071 S \* 6/2007 Teuscher et al. .... D23/234  
D553,753 S \* 10/2007 Mullett et al. .... D24/234

\* cited by examiner  
*Primary Examiner*—Robert A Delehanty  
(74) *Attorney, Agent, or Firm*—Lerner, David, Littenberg, Krumholz & Mentlik, LLP

(57) **CLAIM**  
The ornamental design for washroom for an aircraft, as shown and described.

**DESCRIPTION**  
FIG. 1 is a front perspective view of the subject washroom for an aircraft;  
FIG. 2 is a front plan view;  
FIG. 3 is a left side view;  
FIG. 4 is a right side view;  
FIG. 5 is a top plan view; and,  
FIG. 6 is a bottom plan view.  
The broken lines shown in the drawings are for illustrative purposes and form no part of the claim design in which they appear.

**1 Claim, 5 Drawing Sheets**

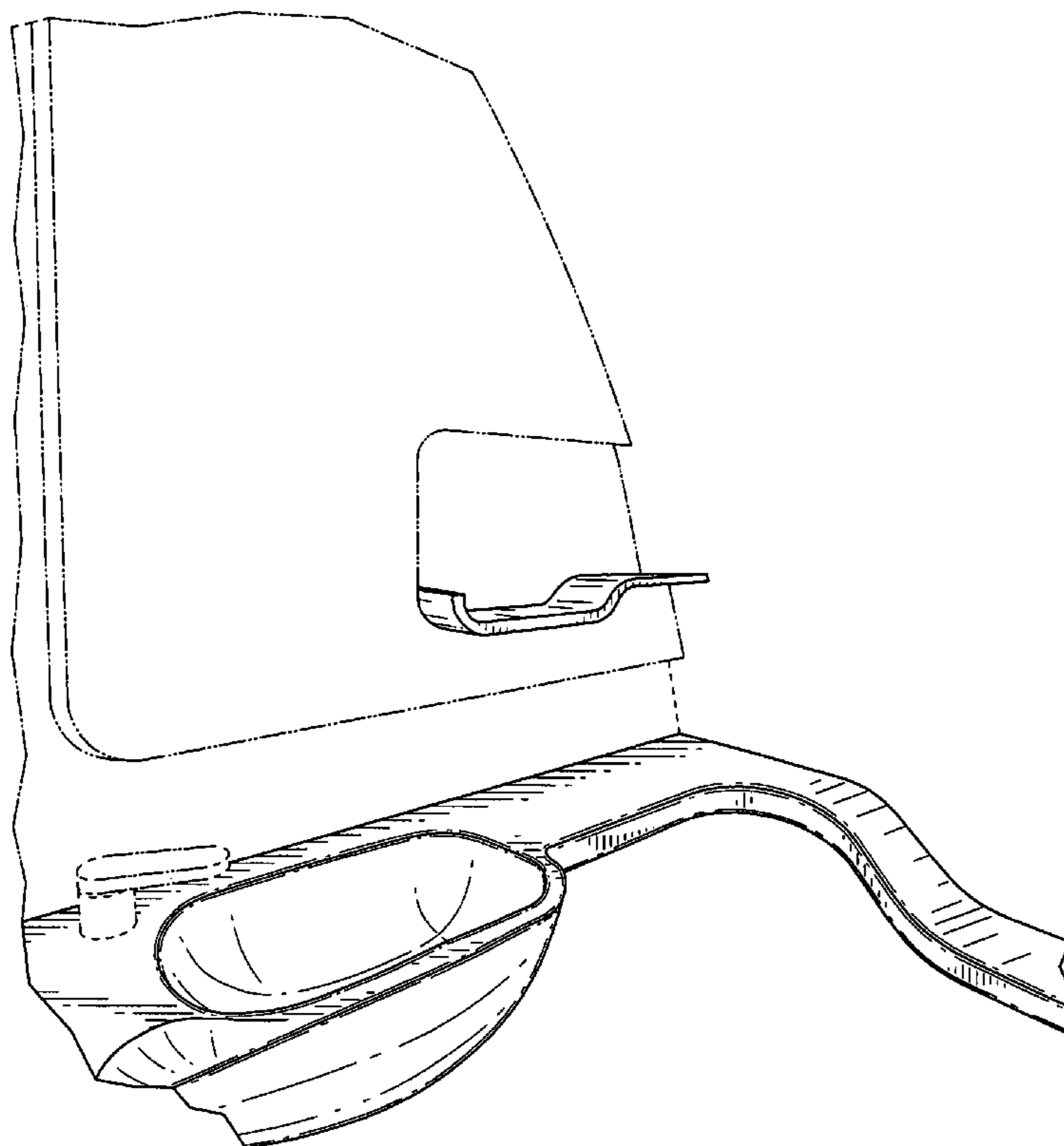


FIG. 1

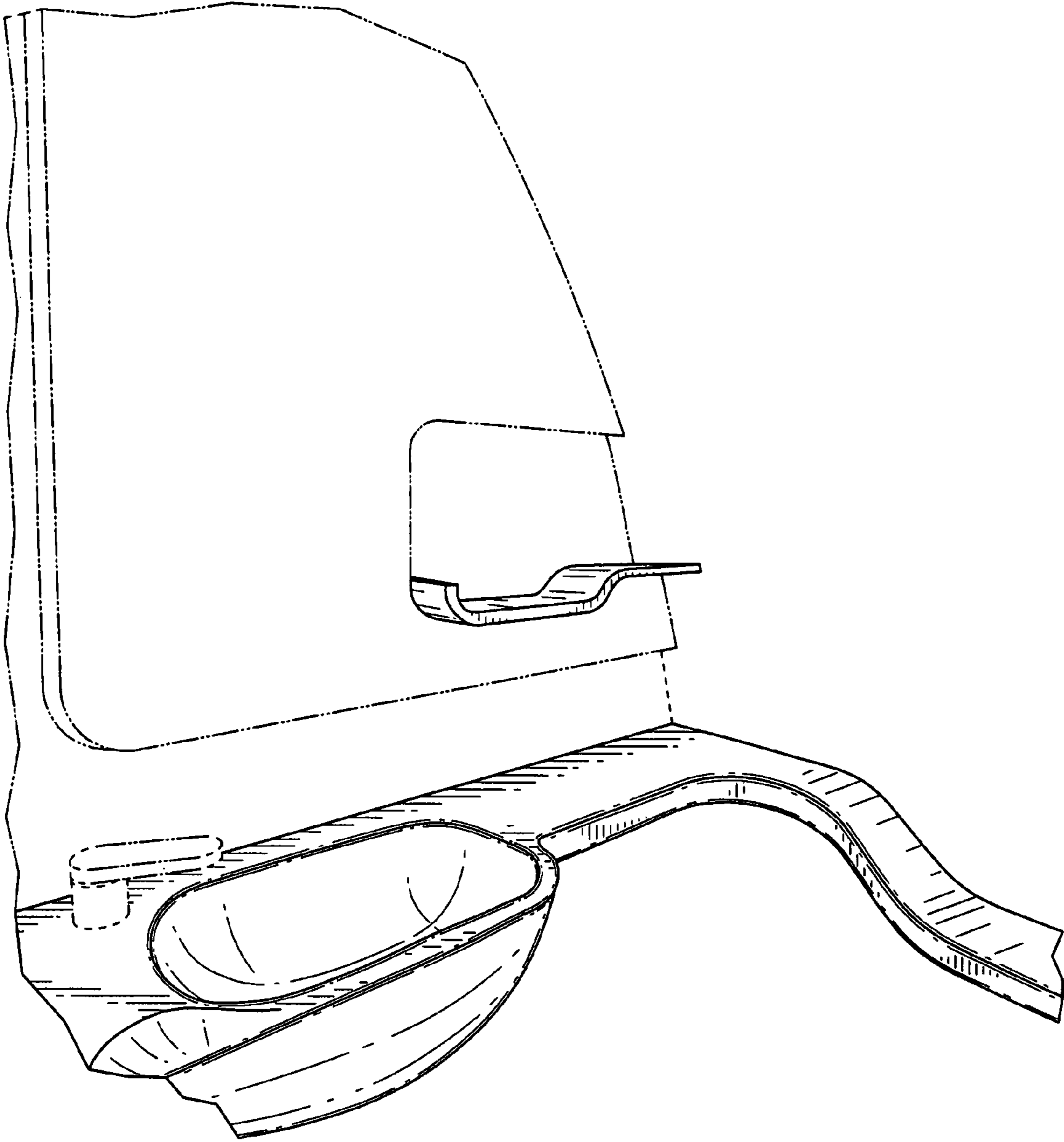
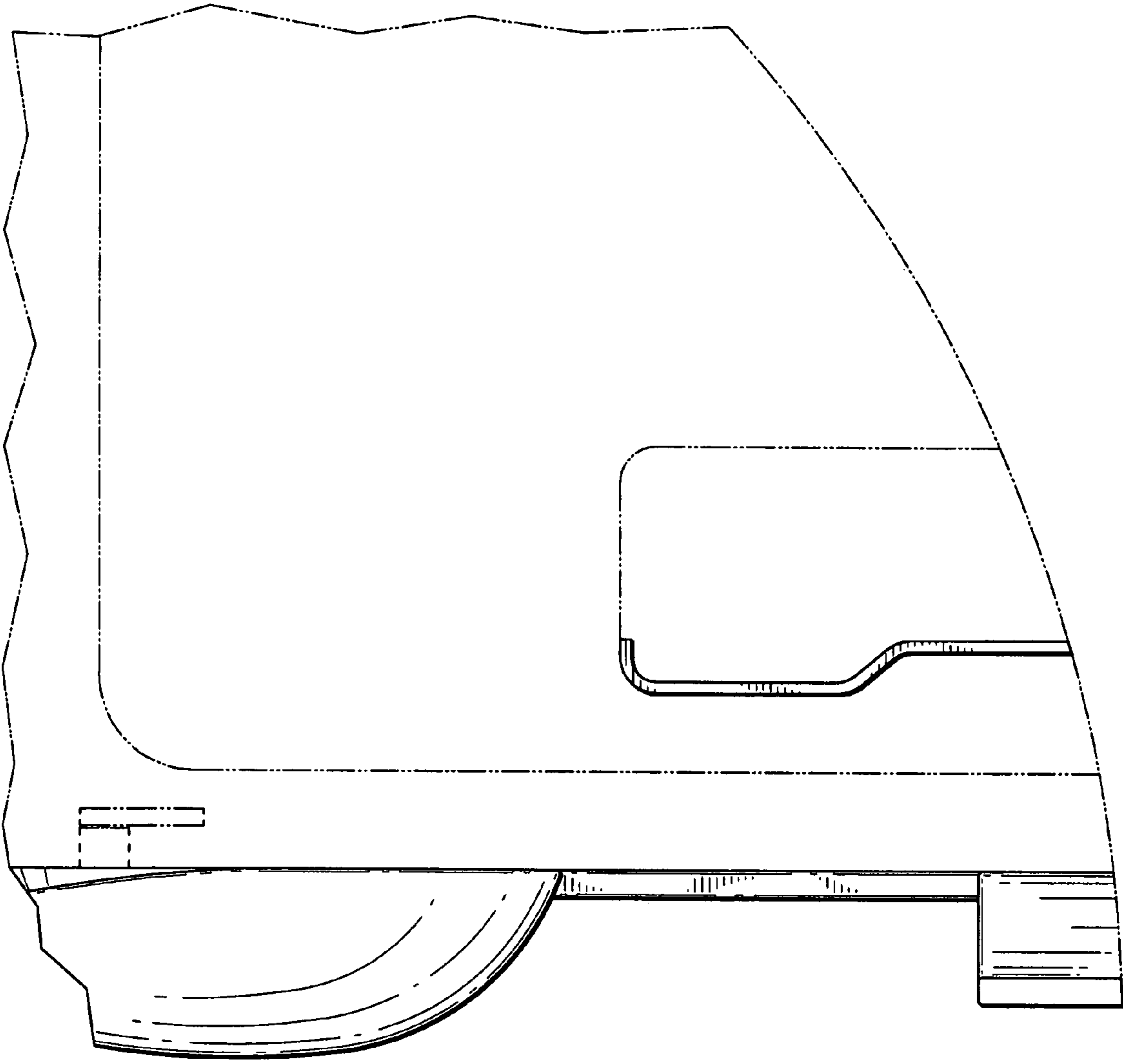


FIG. 2



*FIG. 3*

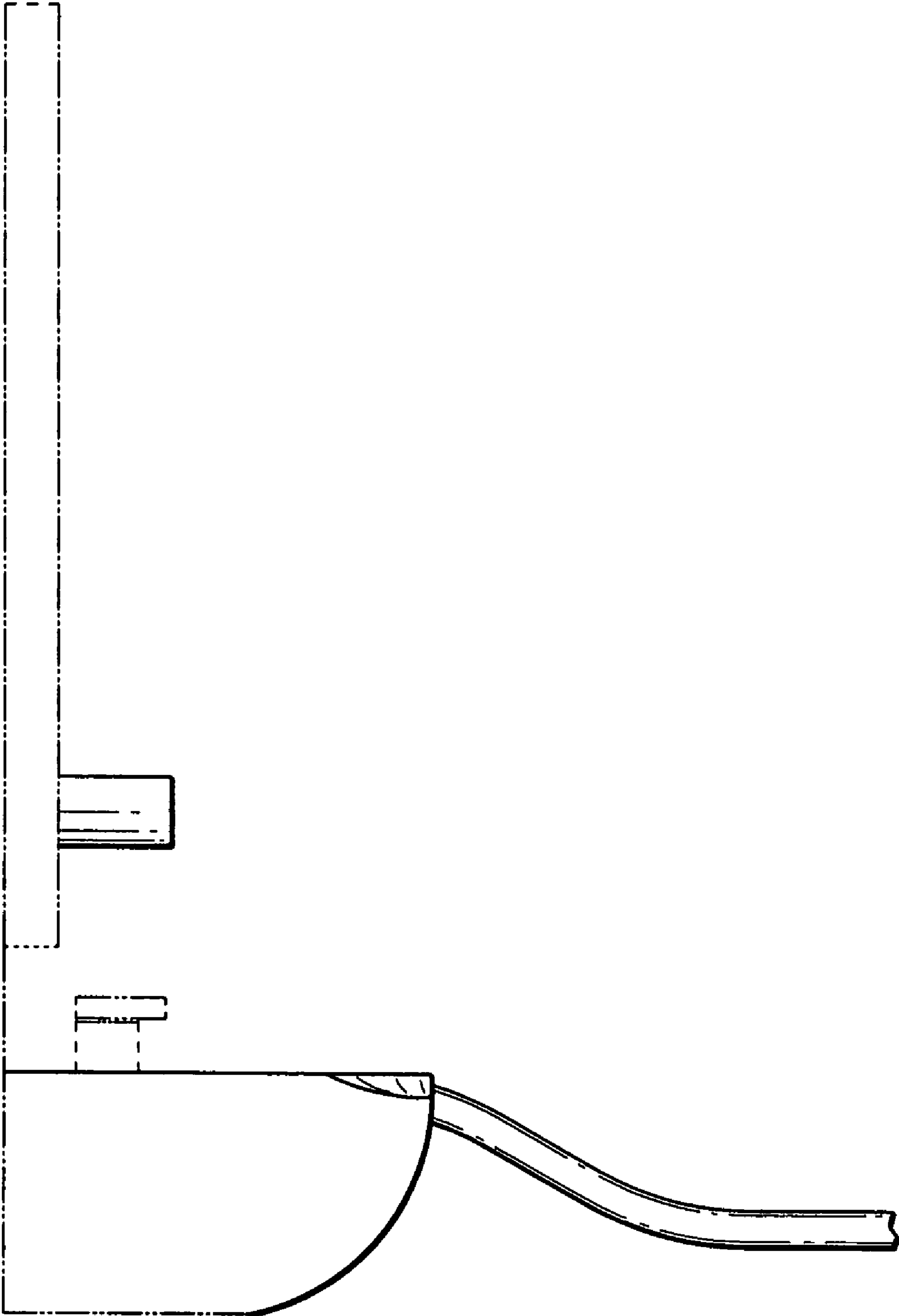


FIG. 4

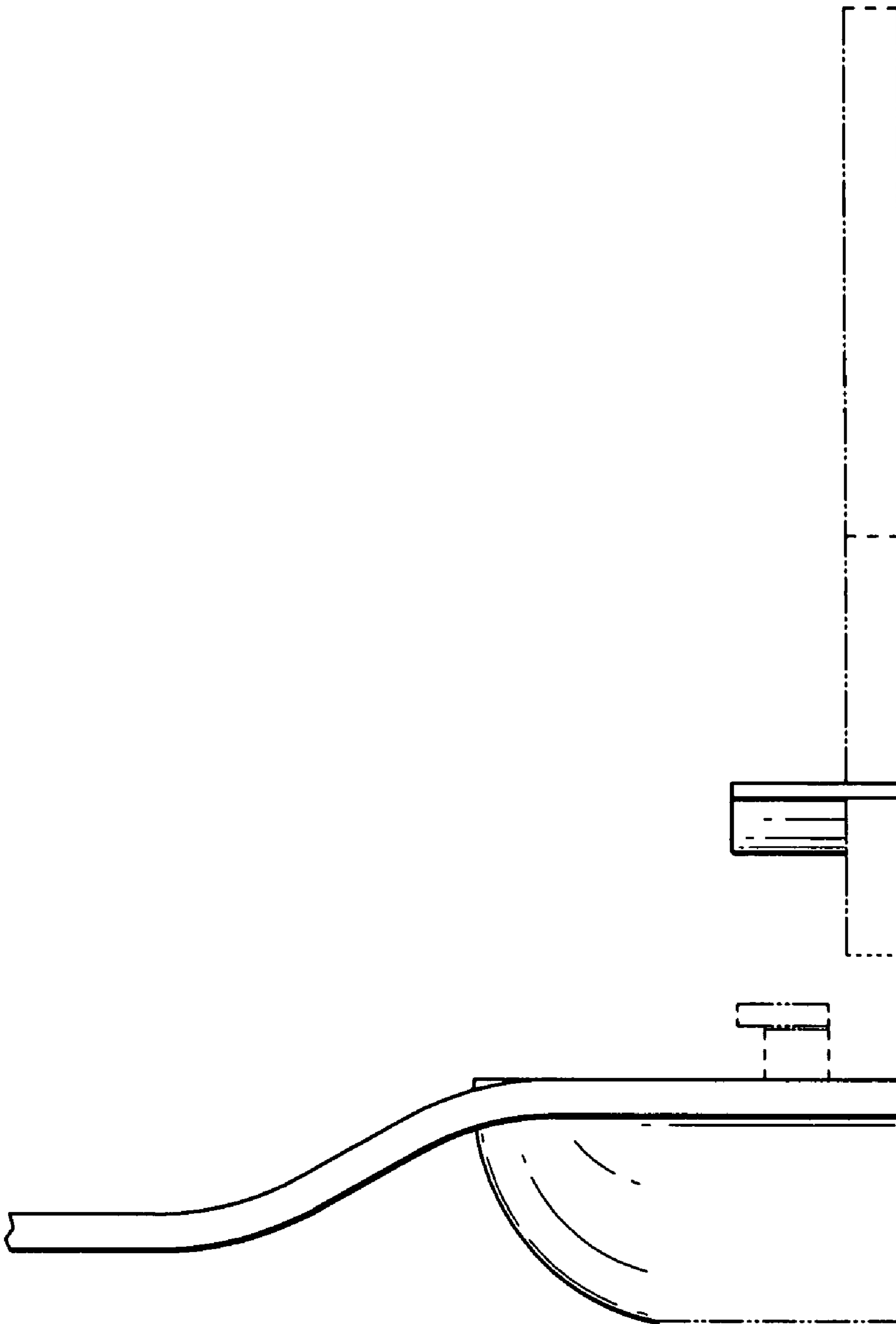


FIG. 5

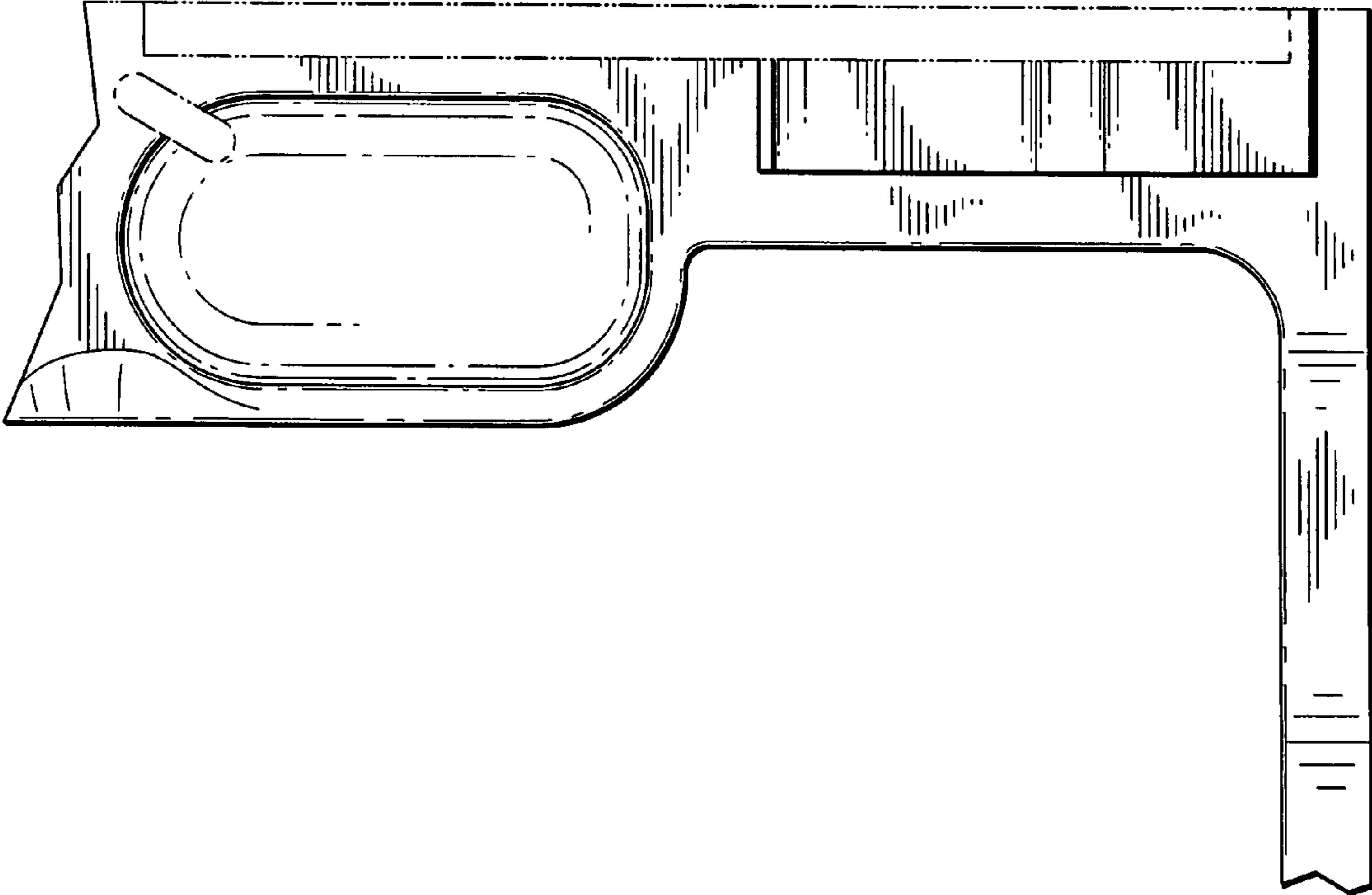


FIG. 6

