



US00D592734S

(12) **United States Design Patent**
Cummings et al.

(10) **Patent No.:** **US D592,734 S**
(45) **Date of Patent:** **** May 19, 2009**

(54) **TOILET WASTE CONNECTOR**

D470,578 S * 2/2003 Boeltl D23/268
6,757,918 B2 * 7/2004 Hogger 4/310

(75) Inventors: **Stephen John Cummings**, Newport (AU); **Luke Anthony Di Michiel**, Randwick (AU)

* cited by examiner

(73) Assignee: **Caroma Industries Limited** (AU)

Primary Examiner—T. Chase Nelson
Assistant Examiner—Eric L Goodman
(74) *Attorney, Agent, or Firm*—Seyfarth Shaw LLP

(**) Term: **14 Years**

(57) **CLAIM**

(21) Appl. No.: **29/306,082**

The ornamental design for a toilet waste connector, as shown and described.

(22) Filed: **Apr. 2, 2008**

(30) **Foreign Application Priority Data**

DESCRIPTION

Nov. 2, 2007 (AU) 20595/2007

FIG. 1 is a rear perspective view of the toilet waste connector showing our new design;

(51) **LOC (9) Cl.** **23-01**

FIG. 2 is a front perspective view thereof;

(52) **U.S. Cl.** **D23/262**

FIG. 3 is a top plan view thereof;

(58) **Field of Classification Search** D23/259–269;
4/351, 679, 681, DIG. 16; 288/134.1, 135.2,
288/181

FIG. 4 is a rear elevational view thereof;

See application file for complete search history.

FIG. 5 is a right hand side elevational view thereof;

(56) **References Cited**

U.S. PATENT DOCUMENTS

D17,832 S * 10/1887 Wells D23/268
D31,637 S * 10/1899 Barret D23/268
D76,217 S * 9/1928 Blauvelt D23/268
2,593,734 A * 4/1952 Davis 137/247.51
3,994,031 A * 11/1976 Bishop 4/679

FIG. 6 is a bottom plan view thereof;

FIG. 7 is a front elevational view thereof; and,

FIG. 8 is a left hand side elevational view thereof.

The broken line shown in FIGS. 3 and 4 is included for the purpose of illustrating portions of the article and forms no part of the claimed design.

1 Claim, 4 Drawing Sheets

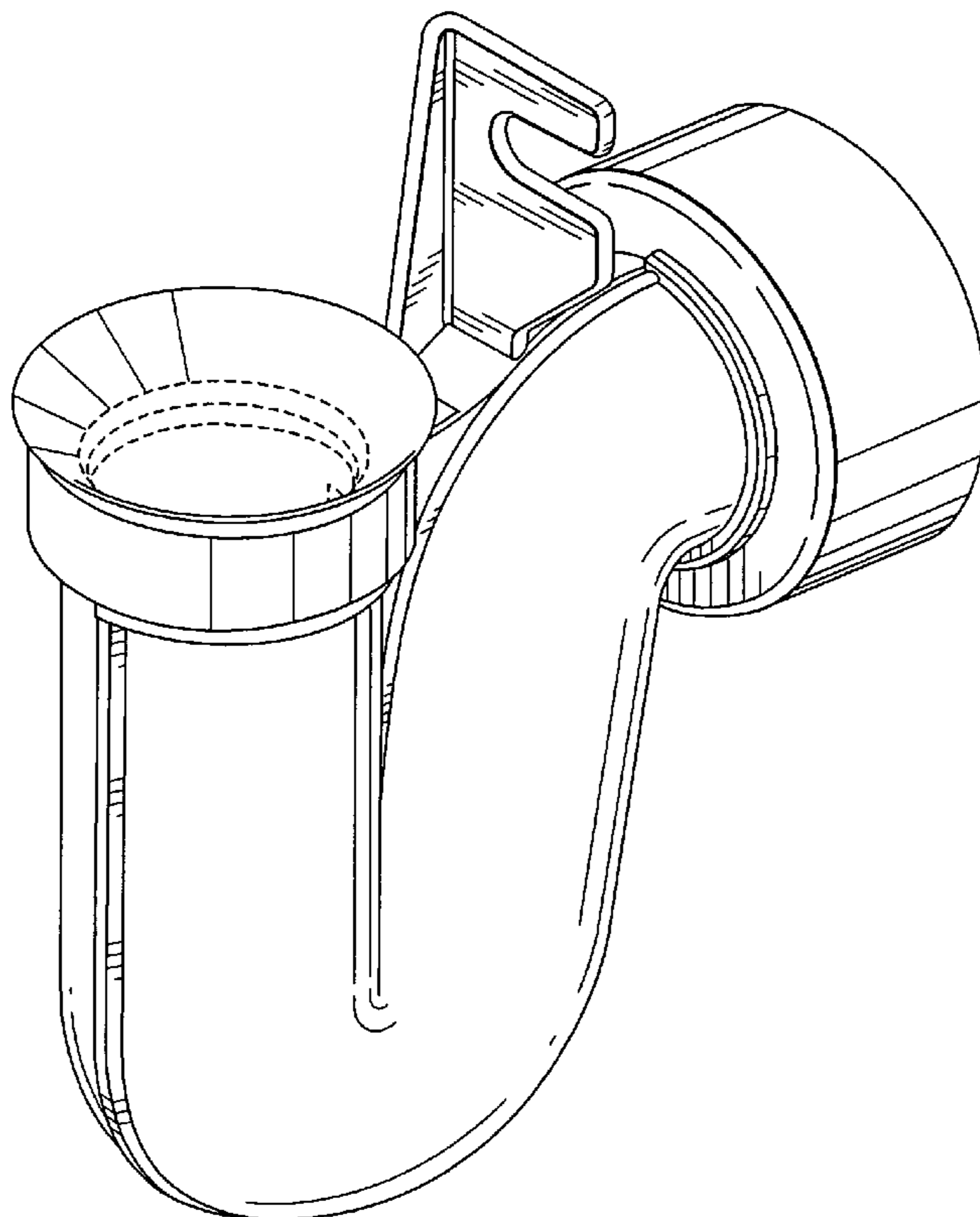


Fig. 1

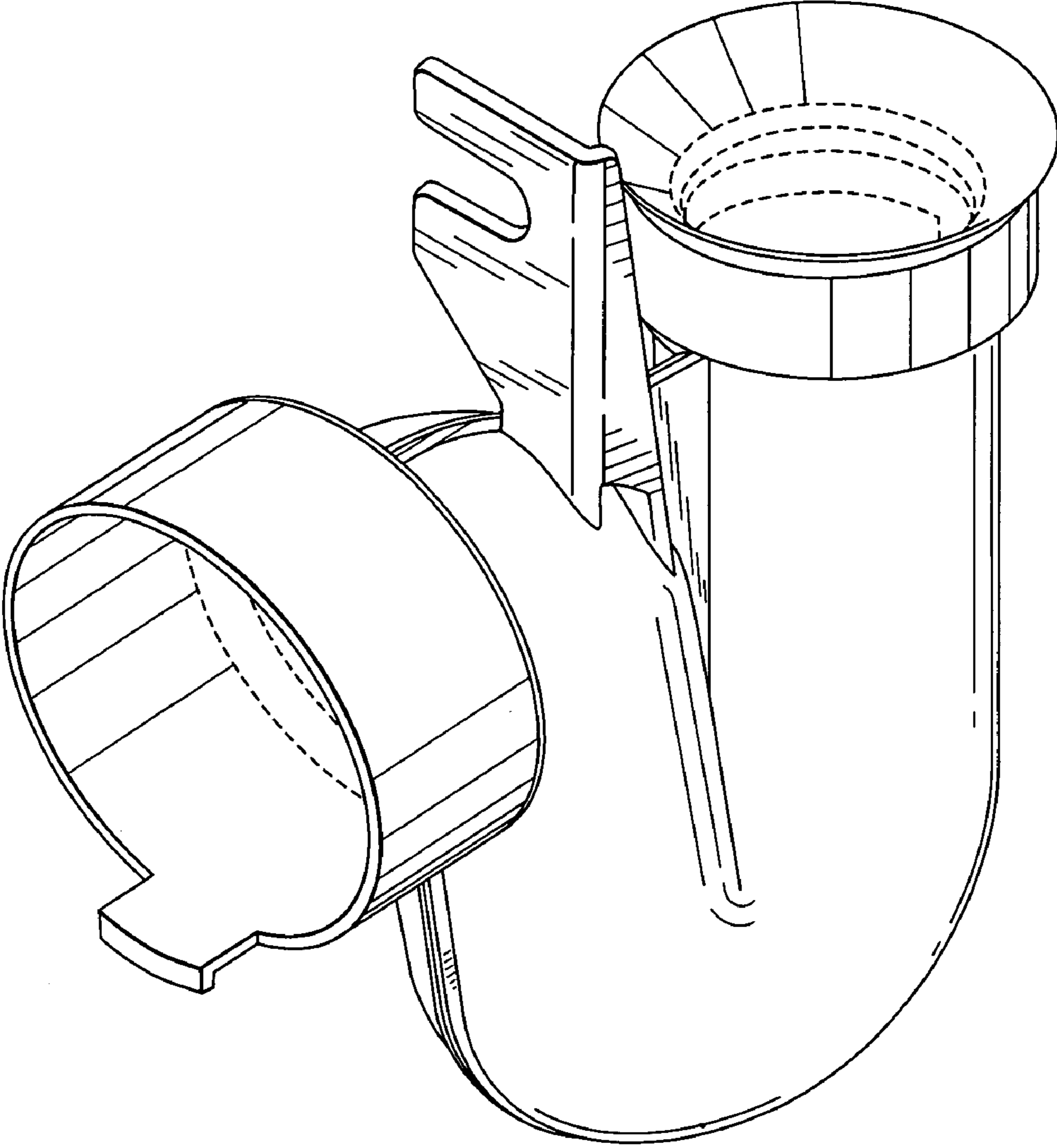


Fig. 2

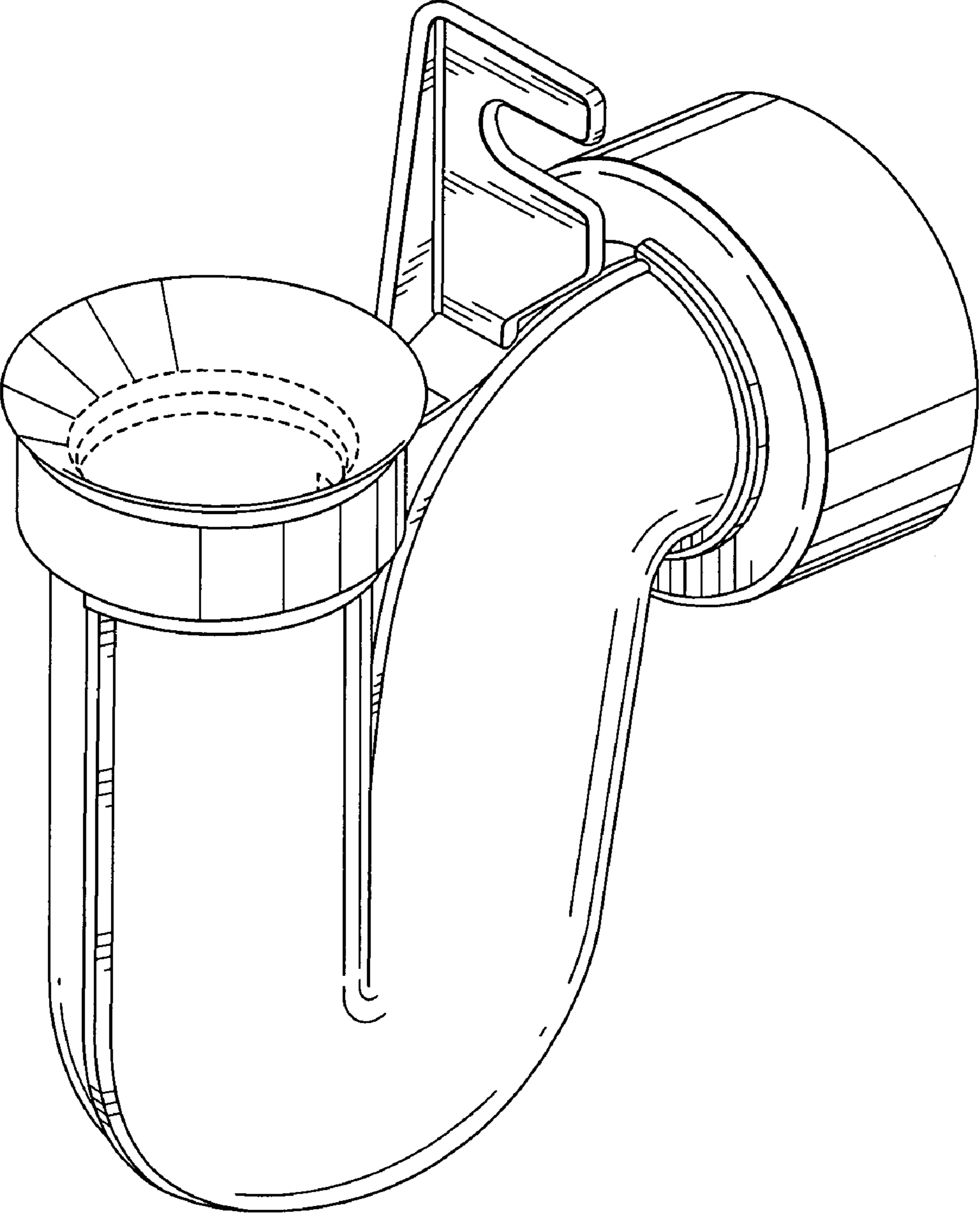


Fig. 3

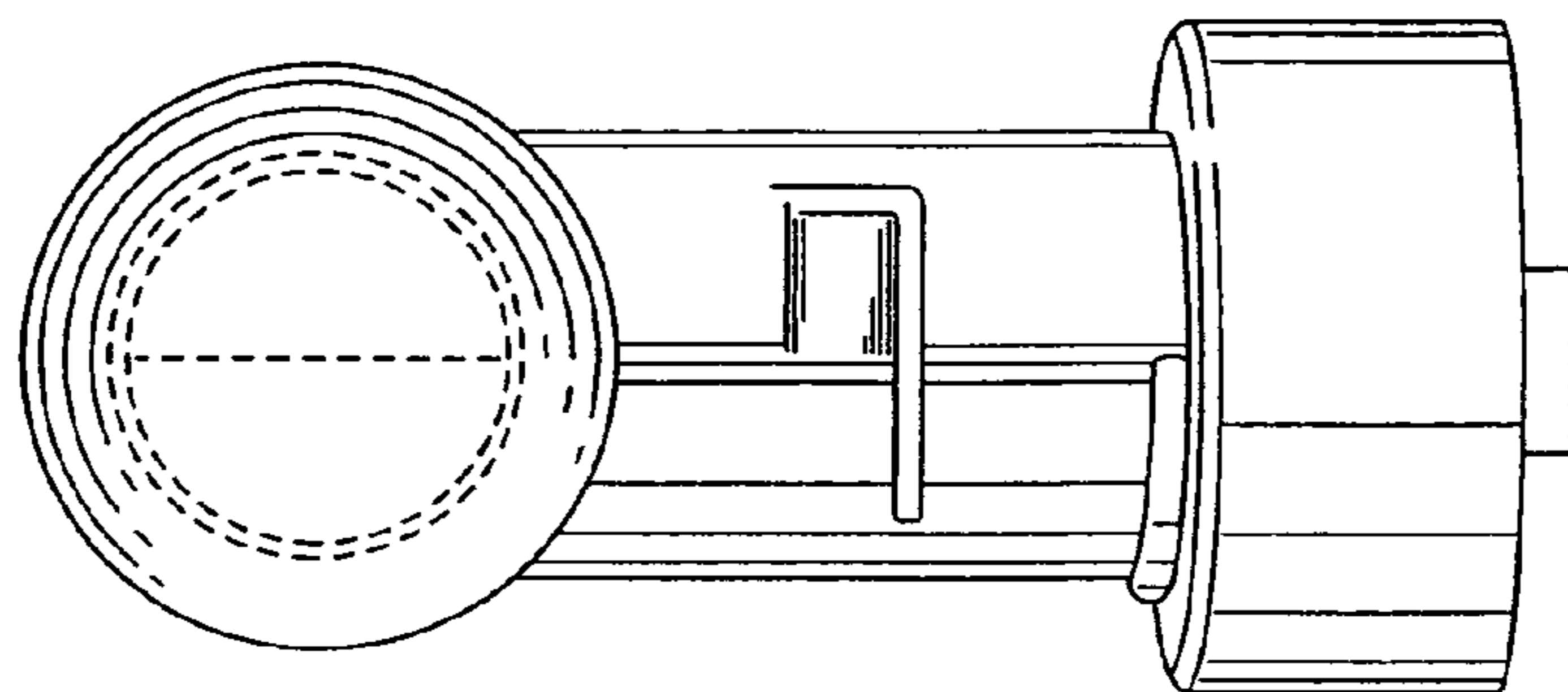


Fig. 5

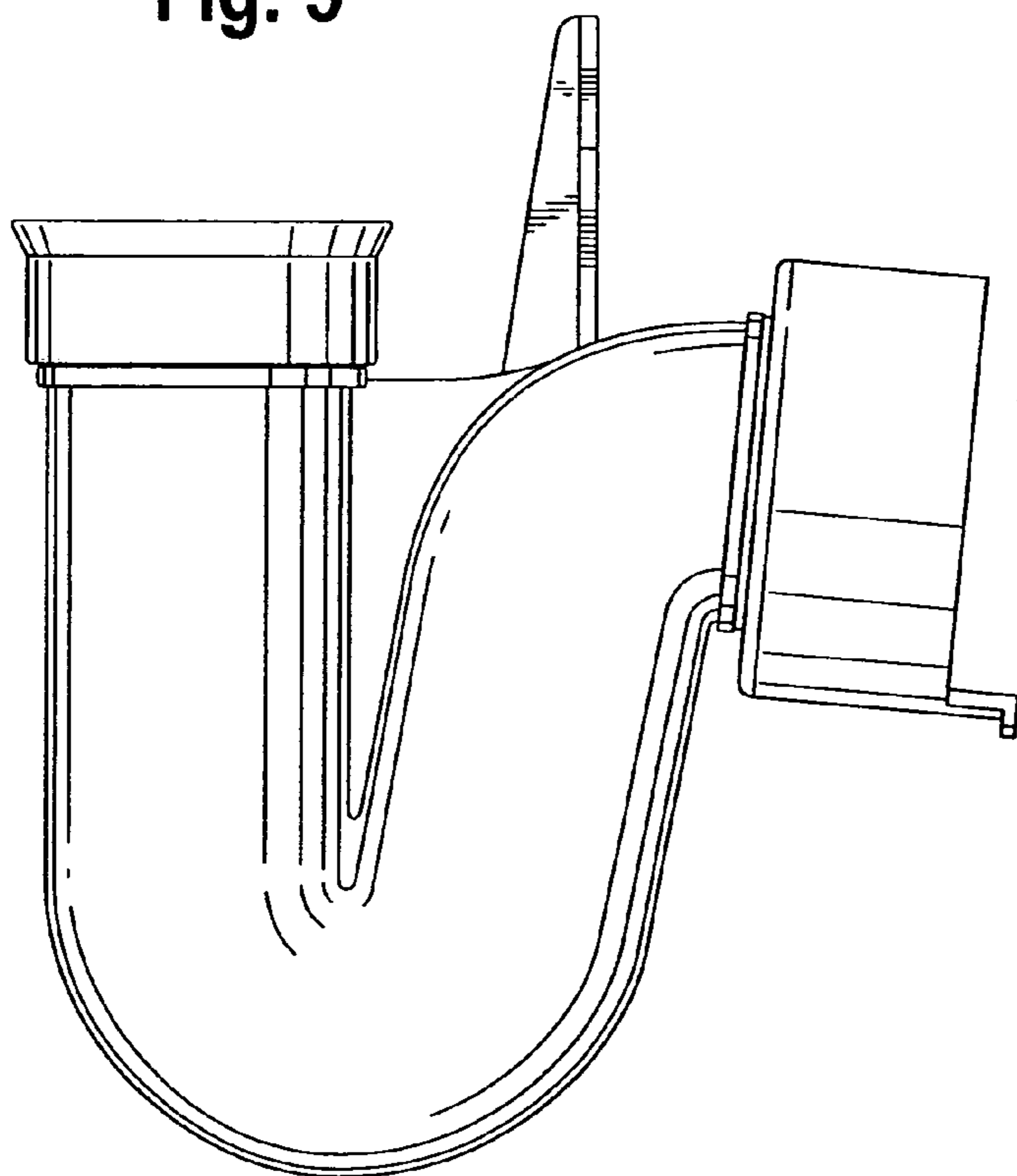


Fig. 4

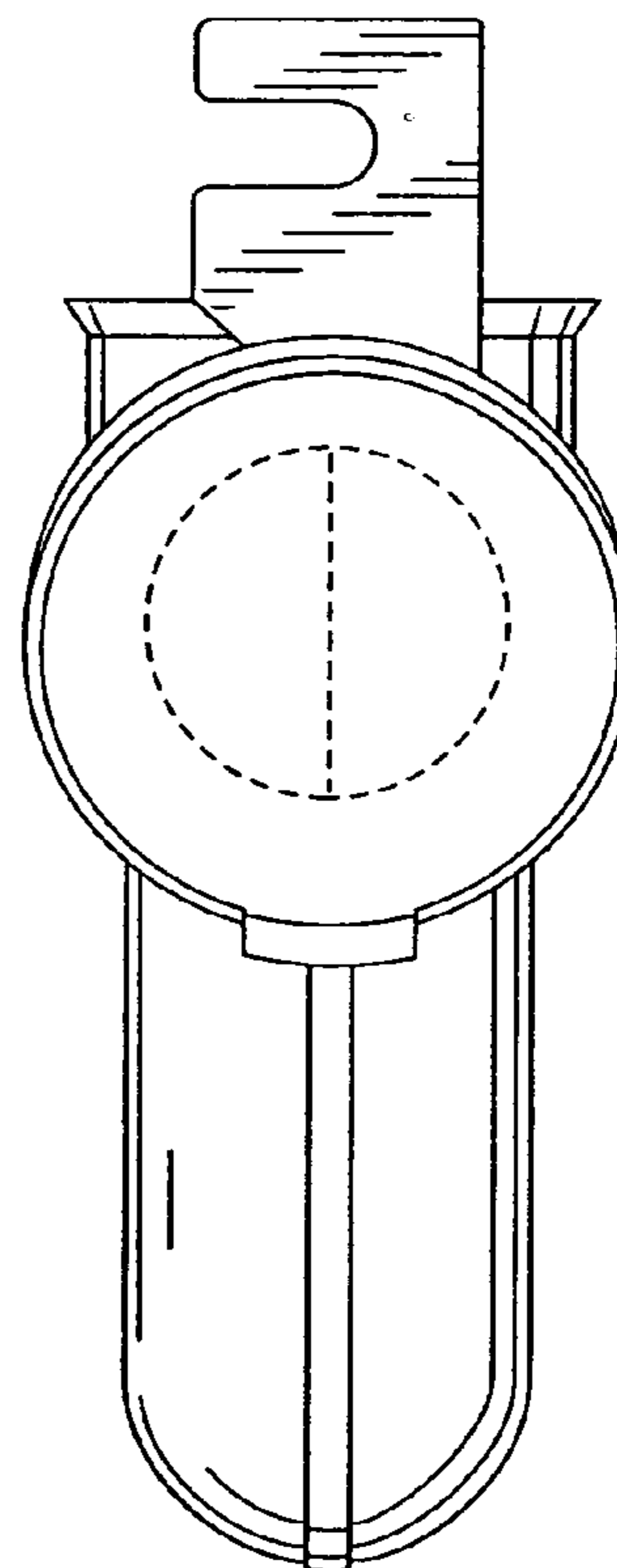


Fig. 8

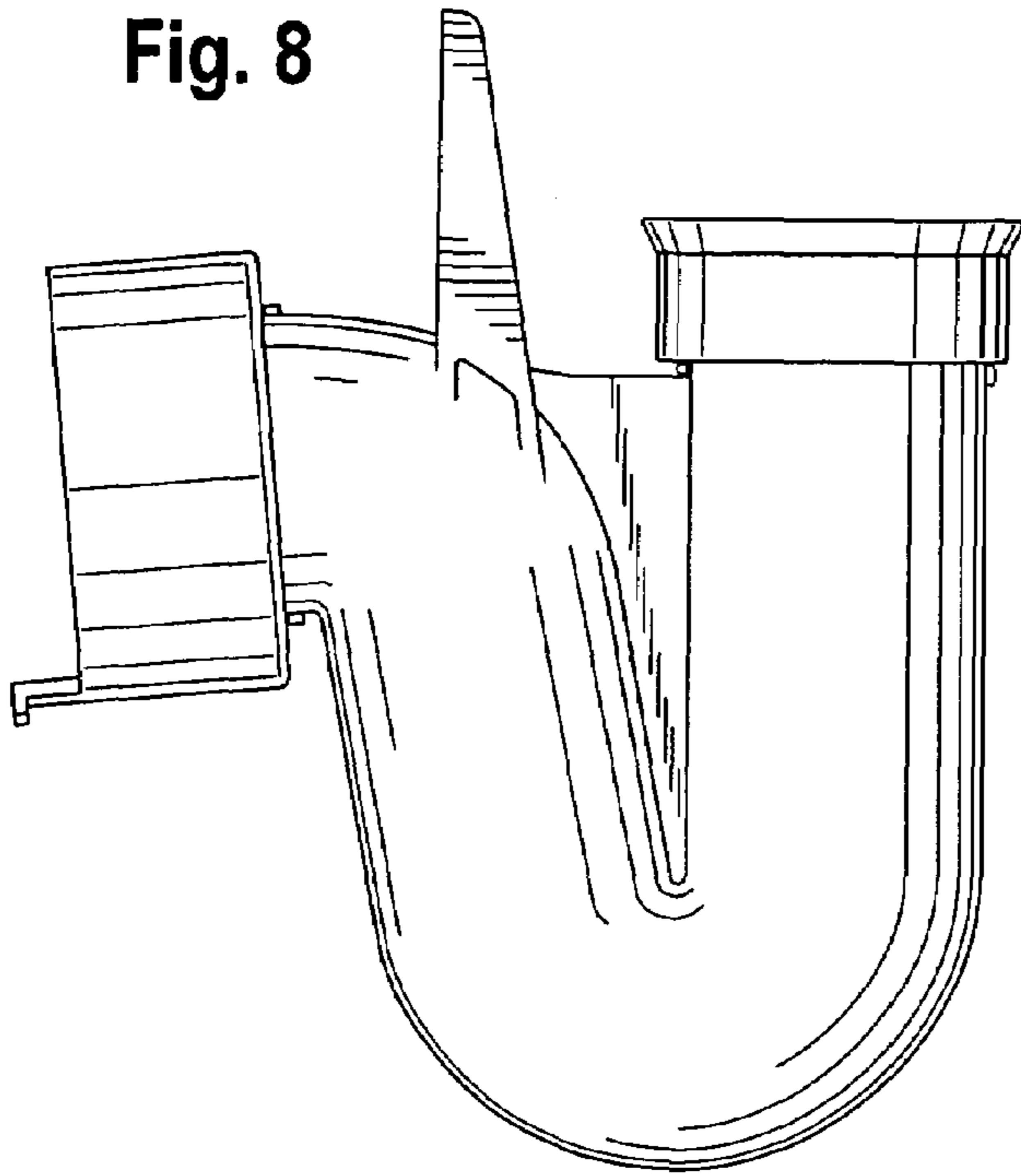


Fig. 7

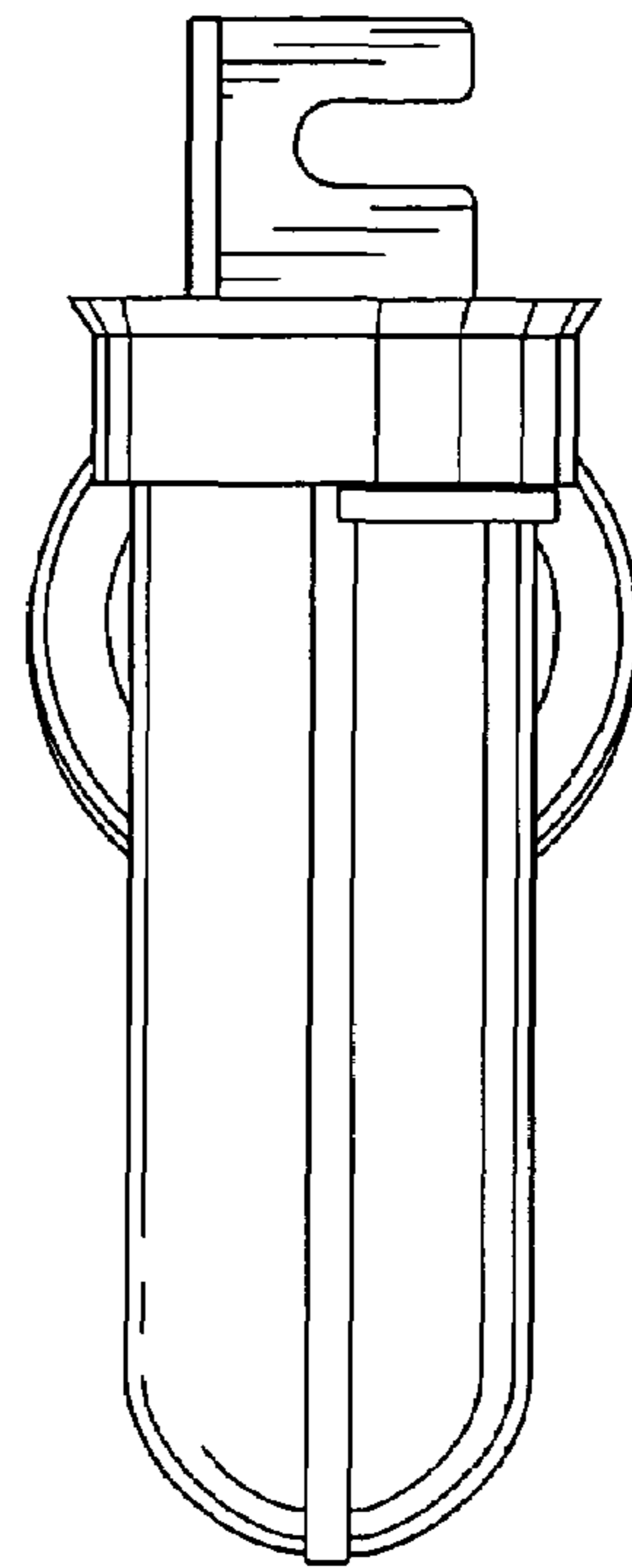


Fig. 6

