



US00D592728S

(12) **United States Design Patent**  
**Wang**

(10) **Patent No.:** **US D592,728 S**

(45) **Date of Patent:** **\*\* May 19, 2009**

(54) **INFRARED SENSITIVE WATER FEEDER**

(76) Inventor: **Su-Li Wang**, No. 22, Lane 116, Dafong  
E. 3rd St., Tanzih Township, Taichung  
County (TW) 427

(\*\*) Term: **14 Years**

(21) Appl. No.: **29/321,593**

(22) Filed: **Jul. 18, 2008**

(51) **LOC (9) Cl.** ..... **23-01**

(52) **U.S. Cl.** ..... **D23/207; D23/209**

(58) **Field of Classification Search** ..... D23/207,  
D23/209; 210/282, 232, 460, 461  
See application file for complete search history.

(56) **References Cited**

**U.S. PATENT DOCUMENTS**

5,192,436	A *	3/1993	Sasaki et al.	210/264
D358,868	S *	5/1995	Hembree et al.	D23/209
D398,369	S *	9/1998	Hayes et al.	D23/209
5,833,849	A *	11/1998	Primdahl	210/232
D410,728	S *	6/1999	Kurth et al.	D23/209
D541,374	S *	4/2007	Colussi et al.	D23/209
D575,376	S *	8/2008	Somerby	D23/239

\* cited by examiner

*Primary Examiner*—Robin V Webster

(74) *Attorney, Agent, or Firm*—Banger Shia

(57) **CLAIM**

I claim the ornamental design for an infrared sensitive water feeder, as shown and described.

**DESCRIPTION**

FIG. 1 is a perspective view of an infrared sensitive water feeder;

FIG. 2 is a front view thereof;

FIG. 3 is a rear view thereof;

FIG. 4 is a left view thereof;

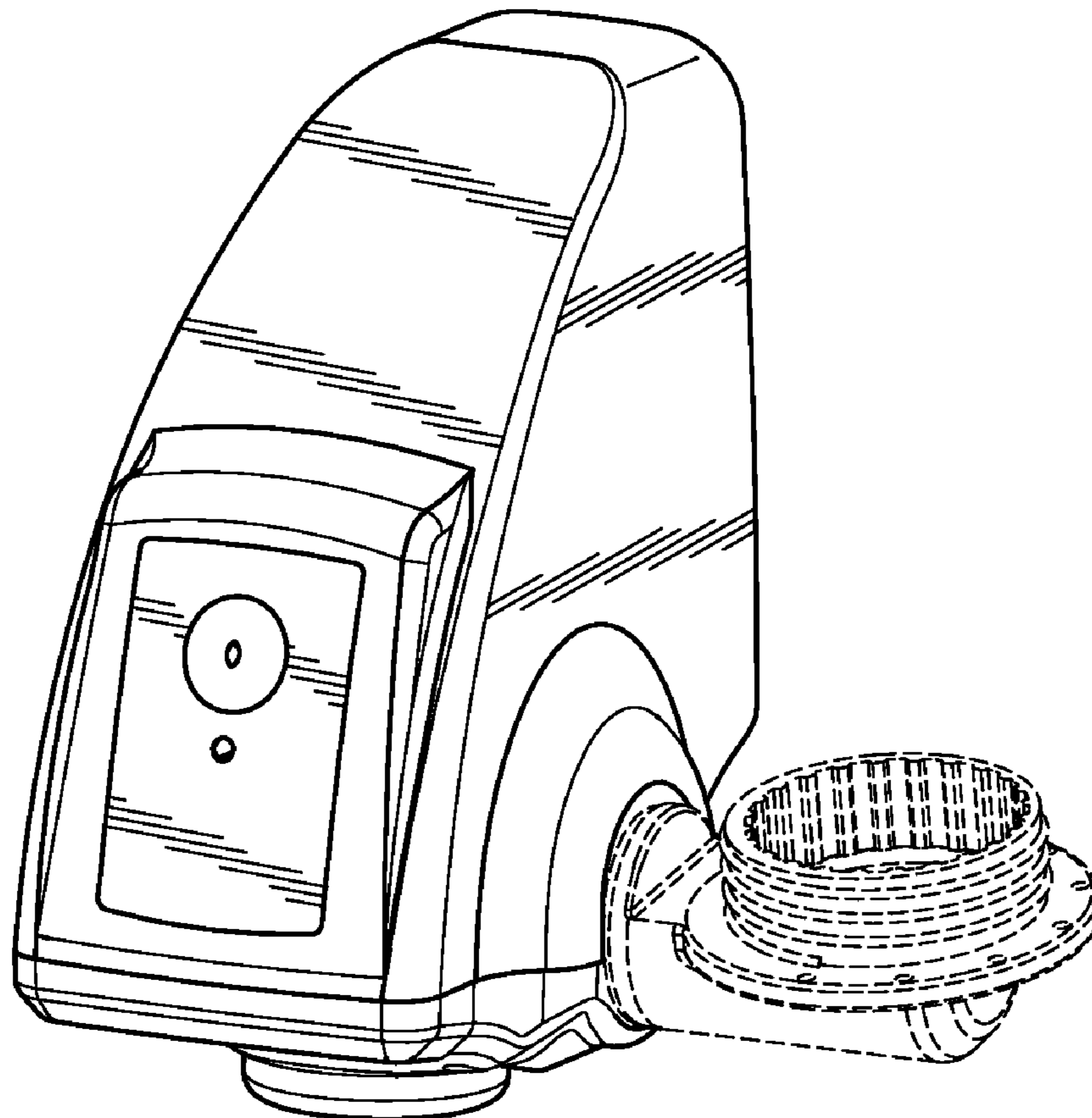
FIG. 5 is a right view thereof;

FIG. 6 is a top plan view thereof; and,

FIG. 7 is a bottom plan view thereof.

The ornamental design which is claimed is shown in solid lines in the drawings. The broken lines shown in the drawings illustrate unclaimed portions of the article and form no part of the claimed design.

**1 Claim, 6 Drawing Sheets**



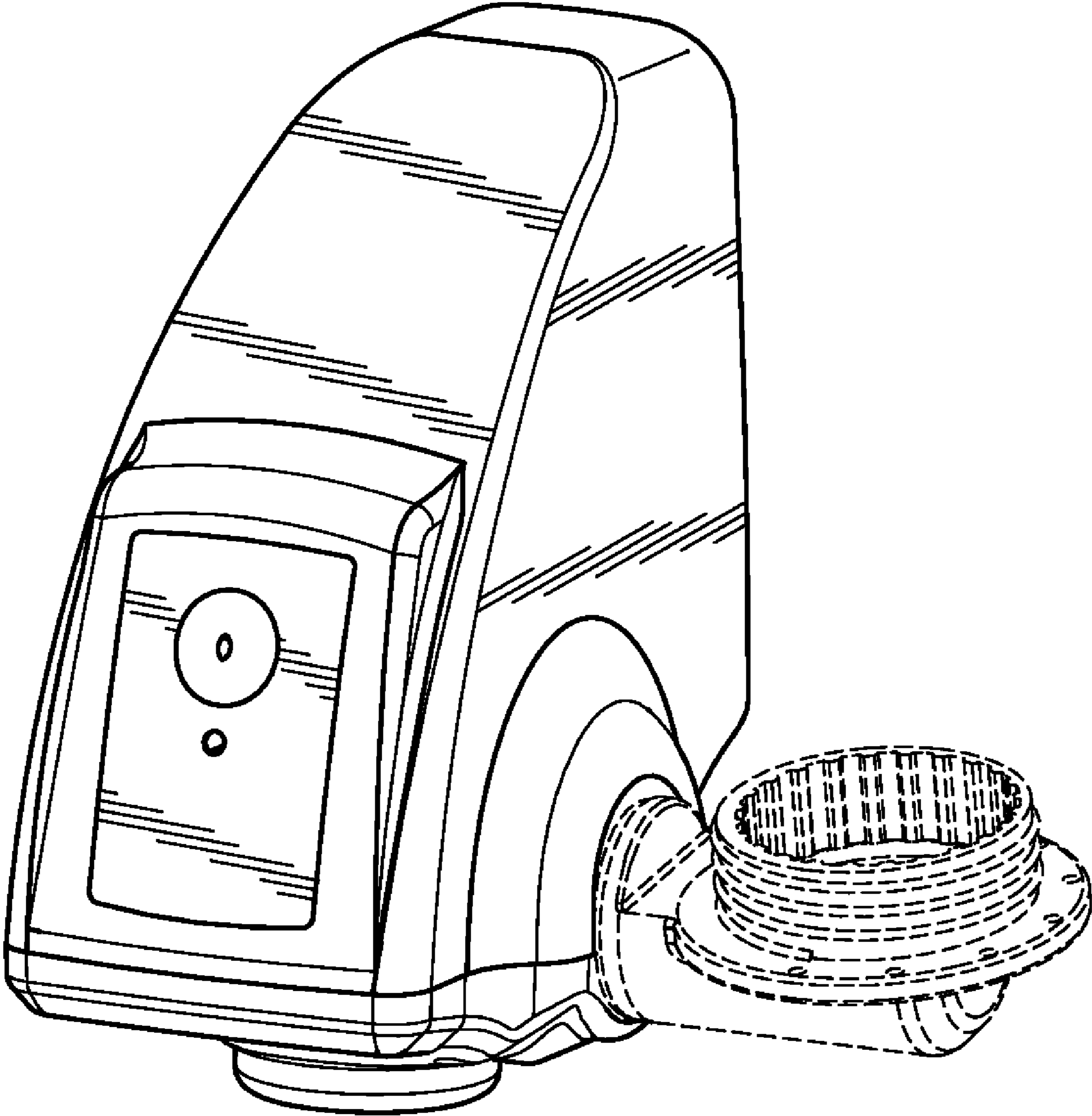


FIG. 1

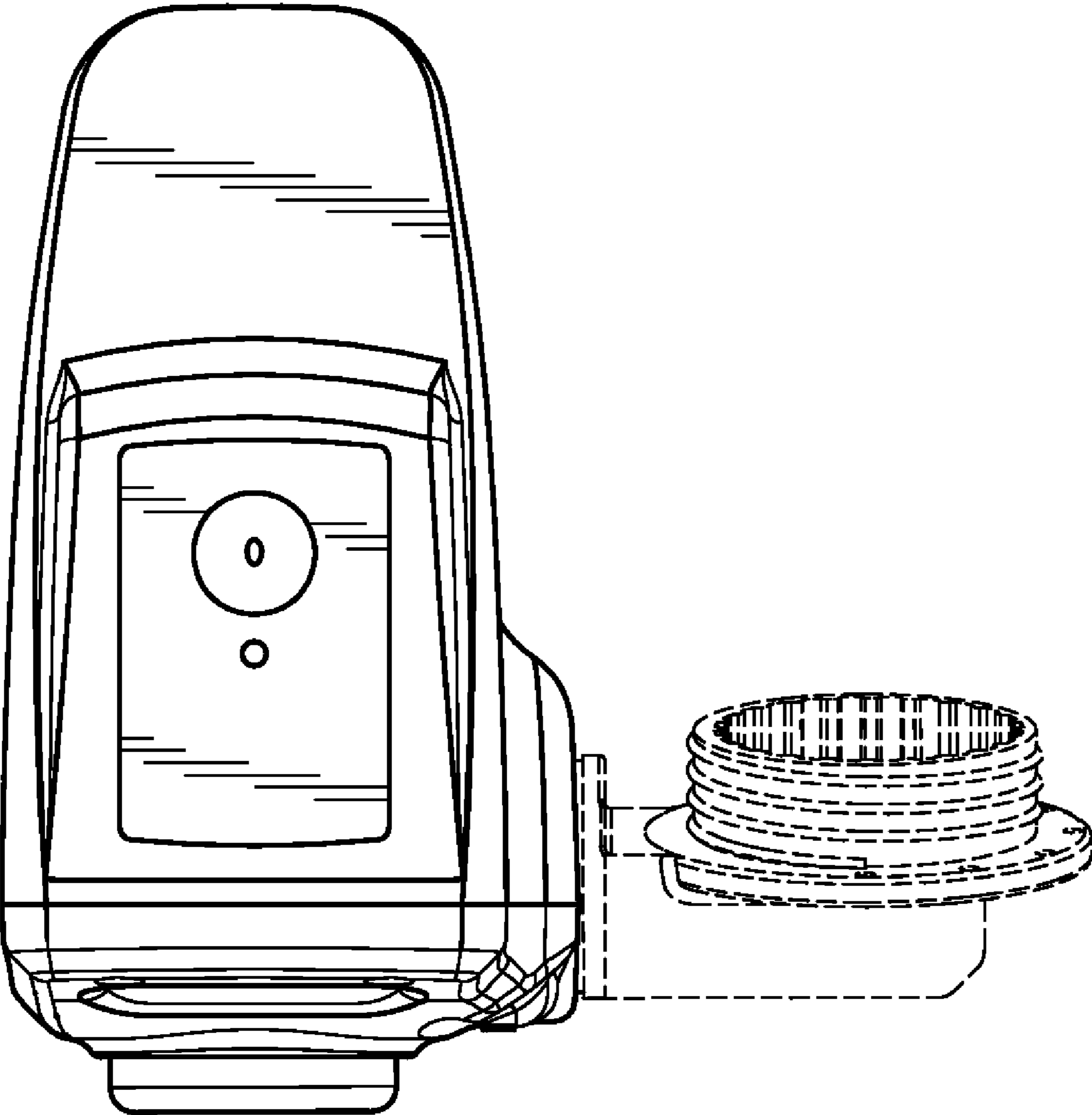


FIG. 2

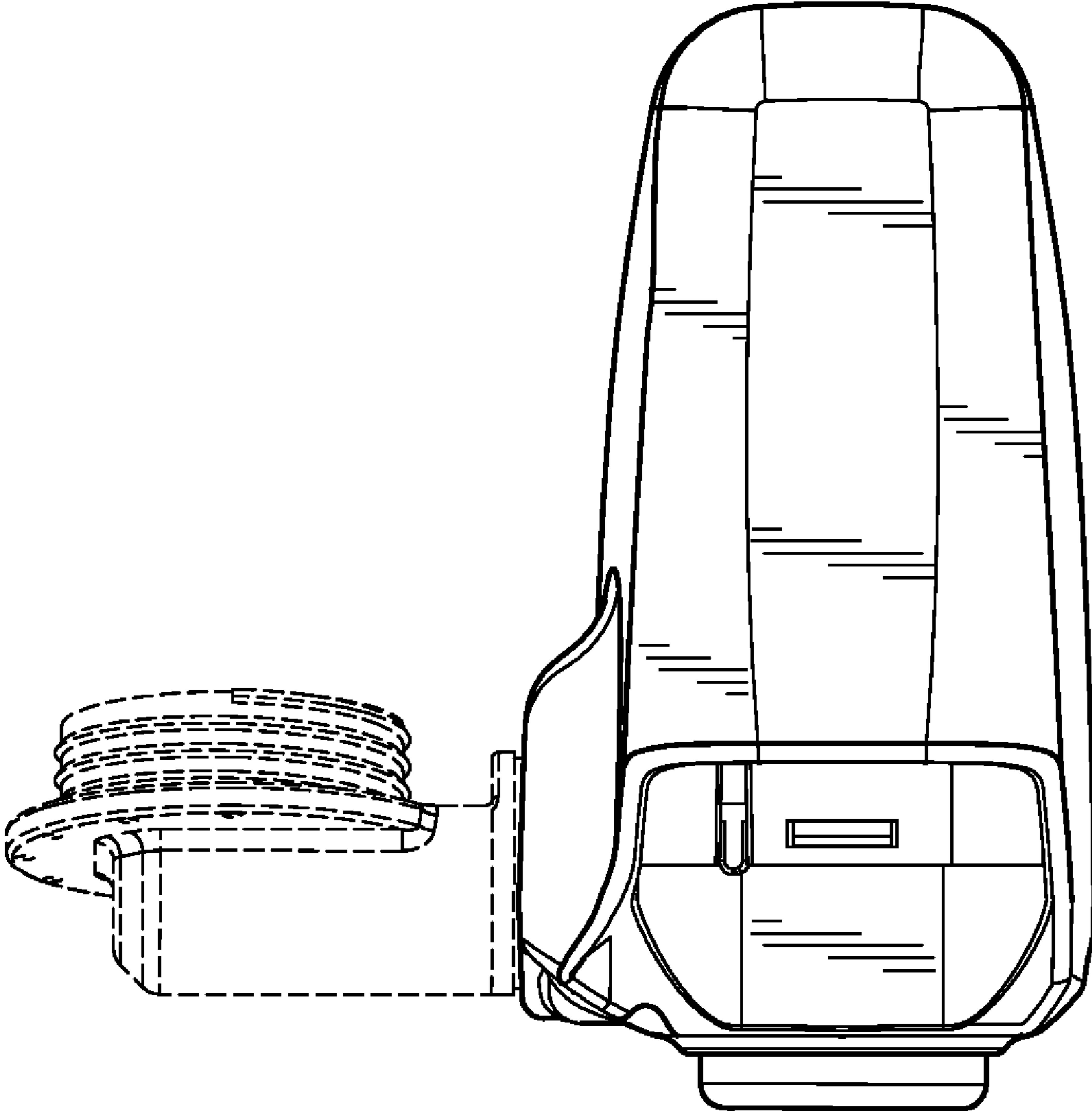


FIG. 3

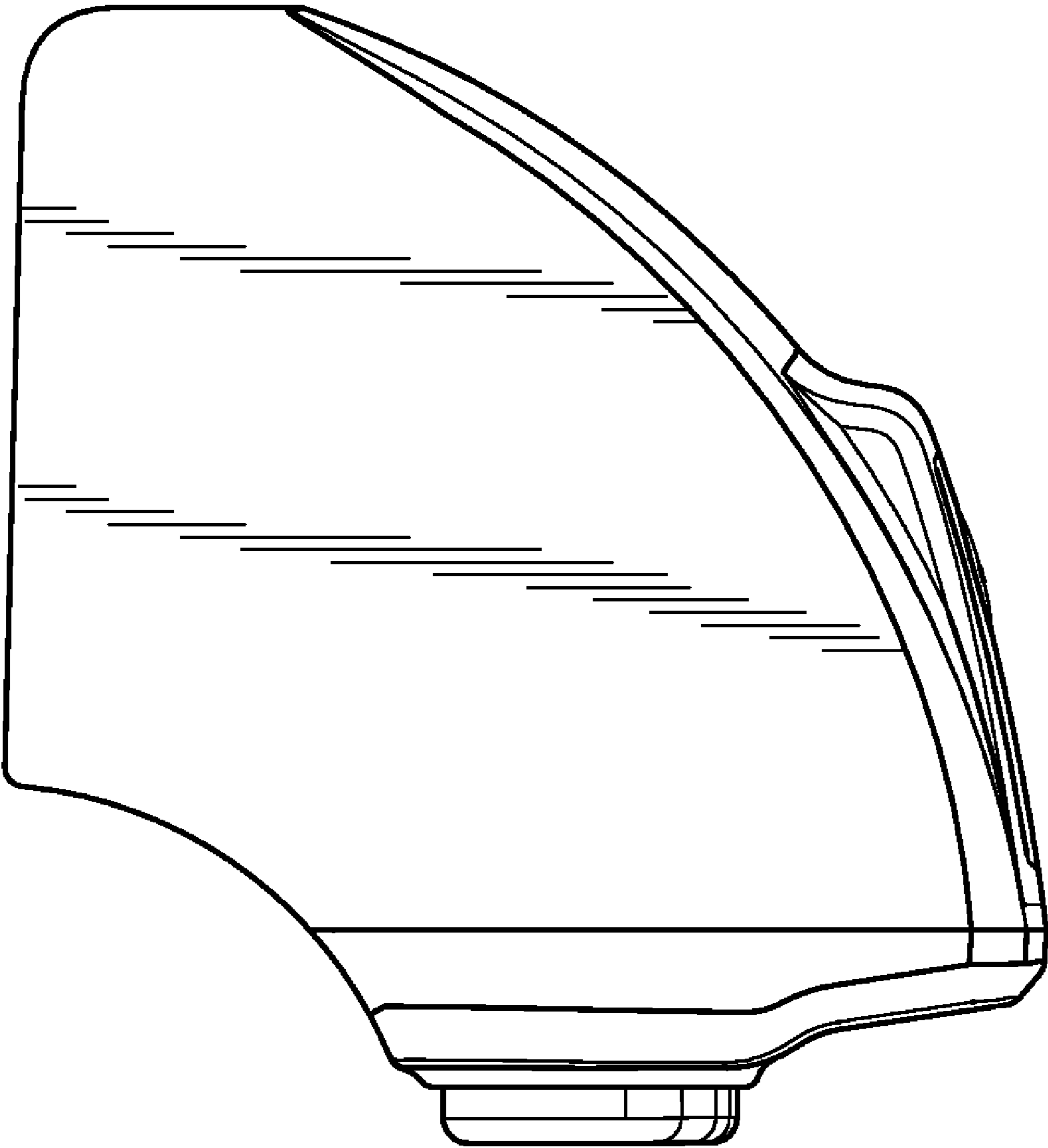


FIG. 4

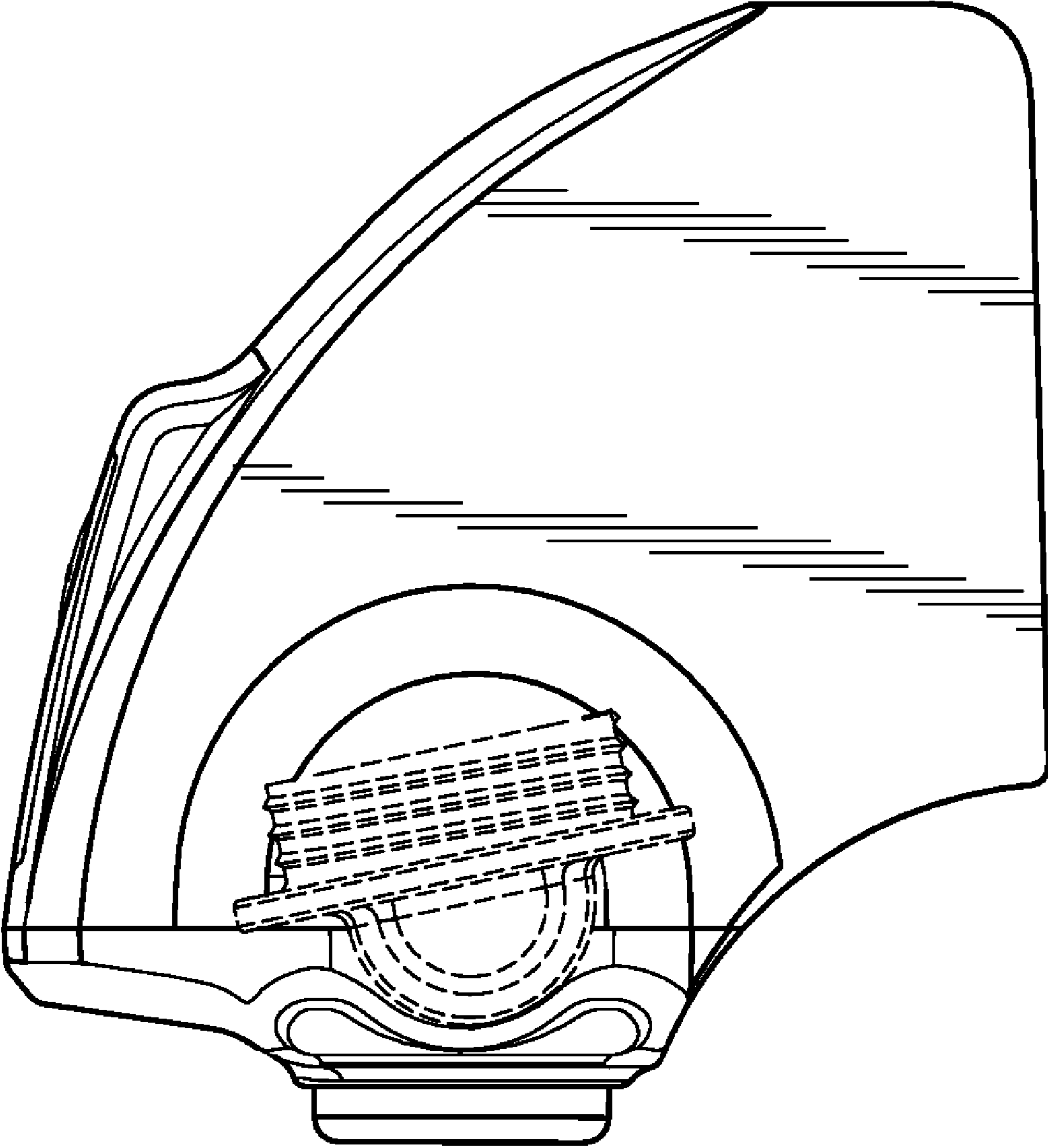


FIG. 5

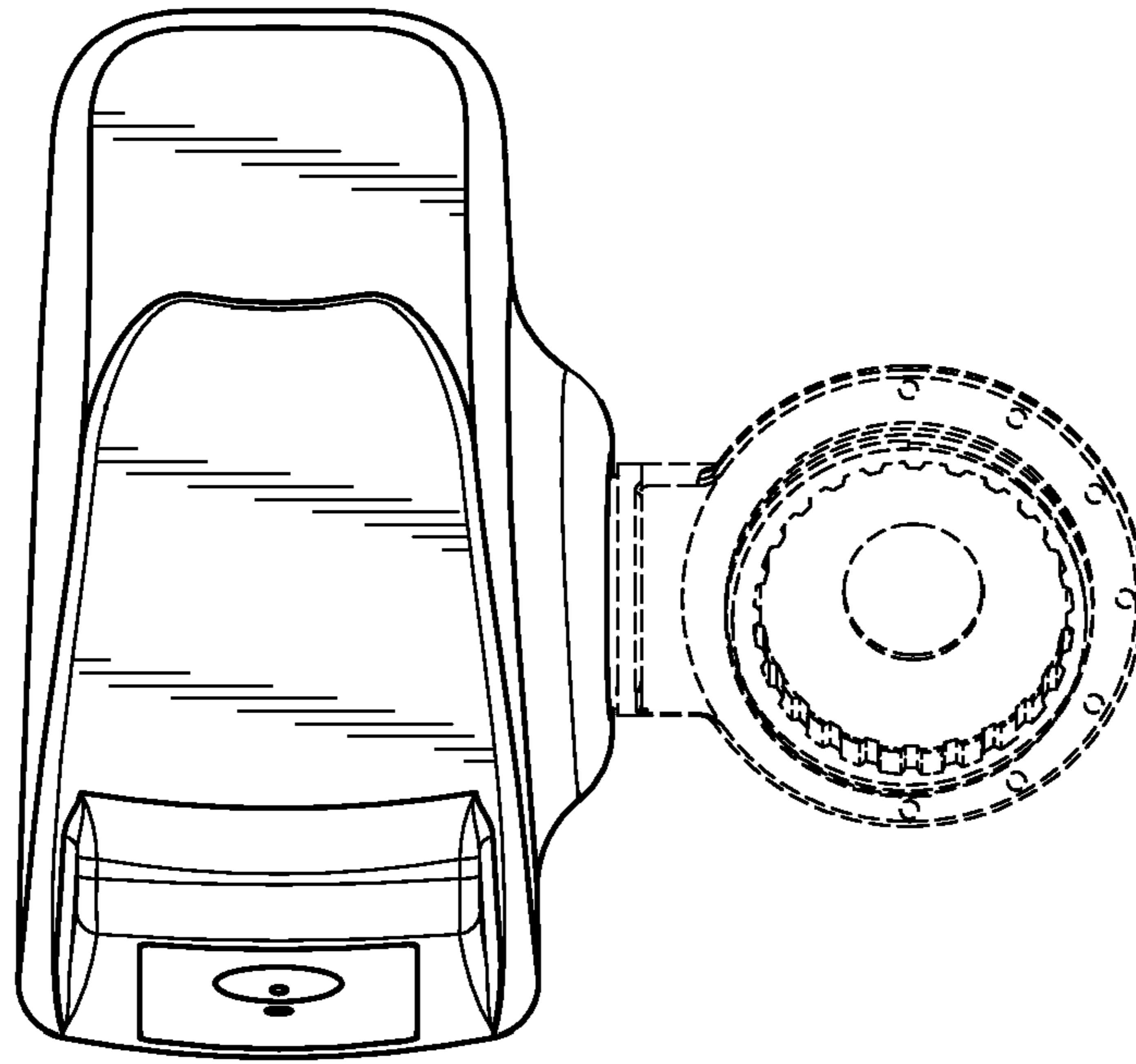


FIG. 6

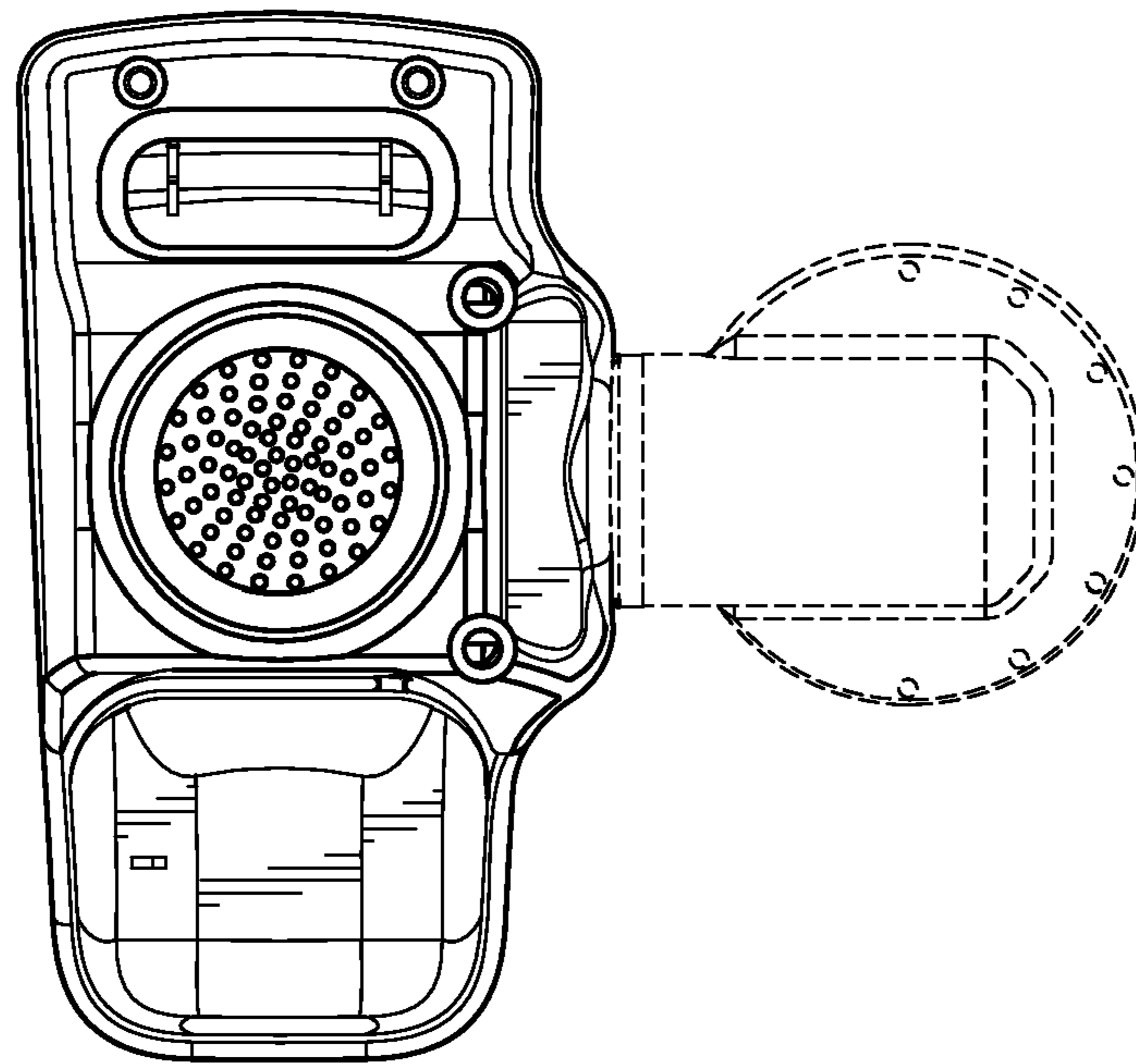


FIG. 7