



US00D592726S

(12) **United States Design Patent**  
**Auberger**

(10) **Patent No.:** **US D592,726 S**

(45) **Date of Patent:** **\*\* May 19, 2009**

(54) **SAND CONTAINER**

(75) Inventor: **Benoit Auberger**, La Meilleraie Tillay  
(FR)

(73) Assignee: **WESCO S.A.**, Cerizay (FR)

(\*\*) Term: **14 Years**

(21) Appl. No.: **29/321,650**

(22) Filed: **Jul. 21, 2008**

(30) **Foreign Application Priority Data**

Jan. 22, 2008 (EM) ..... 865167-0011

(51) **LOC (9) Cl.** ..... **21-03**

(52) **U.S. Cl.** ..... **D21/815**

(58) **Field of Classification Search** ..... D21/811,  
D21/814-816; 472/126, 128  
See application file for complete search history.

(56) **References Cited**

**U.S. PATENT DOCUMENTS**

D308,088 S \* 5/1990 Mariol ..... D21/815  
D311,432 S \* 10/1990 Cattoni ..... D21/816  
D313,058 S \* 12/1990 Wehmeyer ..... D21/815  
D334,789 S \* 4/1993 Fish, Jr. .... D21/815

6,616,539 B1 \* 9/2003 Gatto et al. .... 472/126  
D509,876 S \* 9/2005 Sagol ..... D21/816  
D519,182 S \* 4/2006 Sinchok et al. .... D21/815  
D554,226 S \* 10/2007 Blum ..... D21/815

\* cited by examiner

*Primary Examiner*—Stella M Reid

*Assistant Examiner*—Mark A Goodwin

(74) *Attorney, Agent, or Firm*—Westerman, Hattori, Daniels  
& Adrians, LLP.

(57) **CLAIM**

The ornamental design for sand container, as shown and described.

**DESCRIPTION**

FIG. 1 is a top perspective view of a sand container showing my new design;

FIG. 2 is a front view thereof;

FIG. 3 is a bottom plan view thereof;

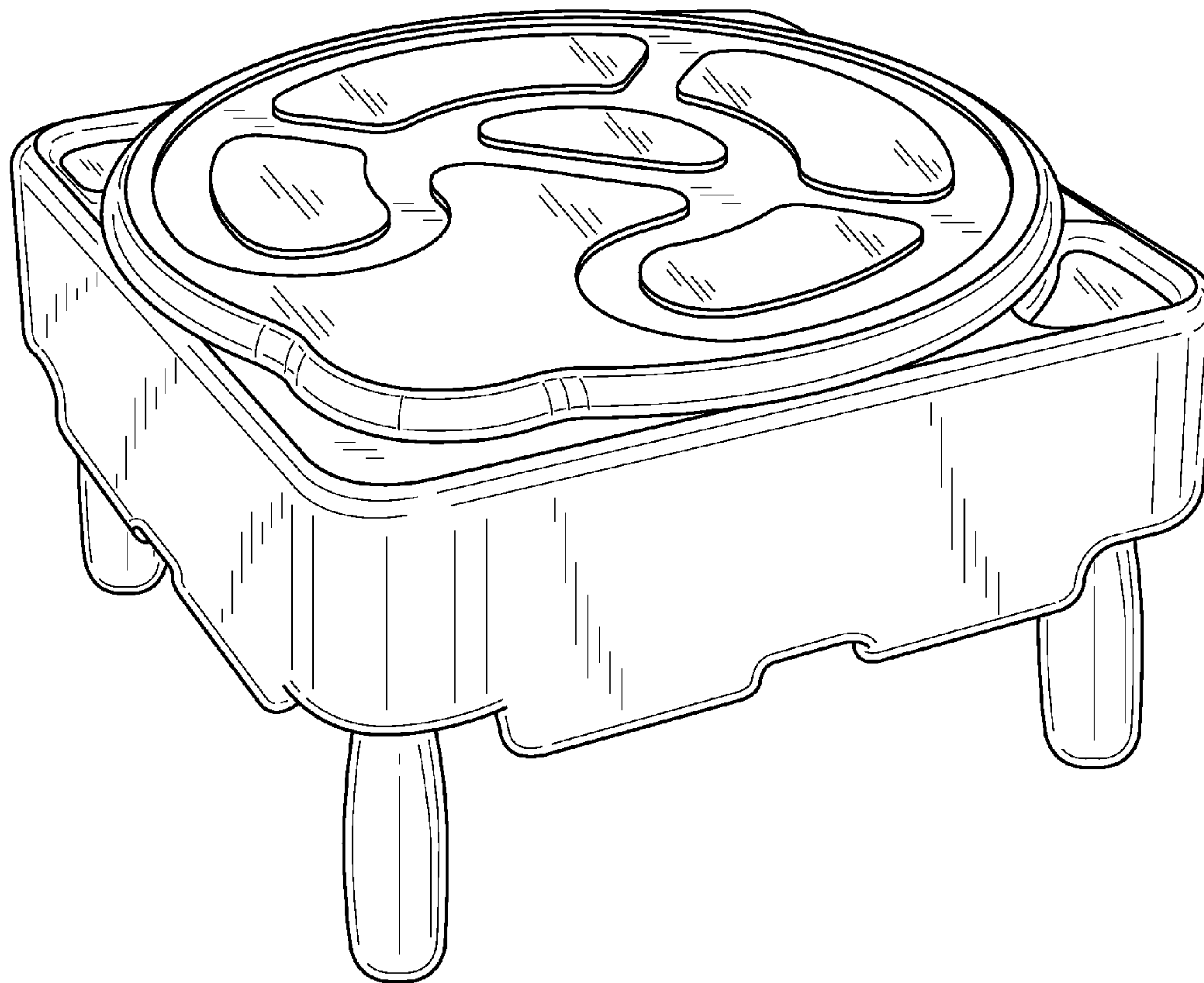
FIG. 4 is a back view thereof;

FIG. 5 is a top plan view thereof;

FIG. 6 is a left side view thereof; and,

FIG. 7 is a right side view thereof.

**1 Claim, 7 Drawing Sheets**



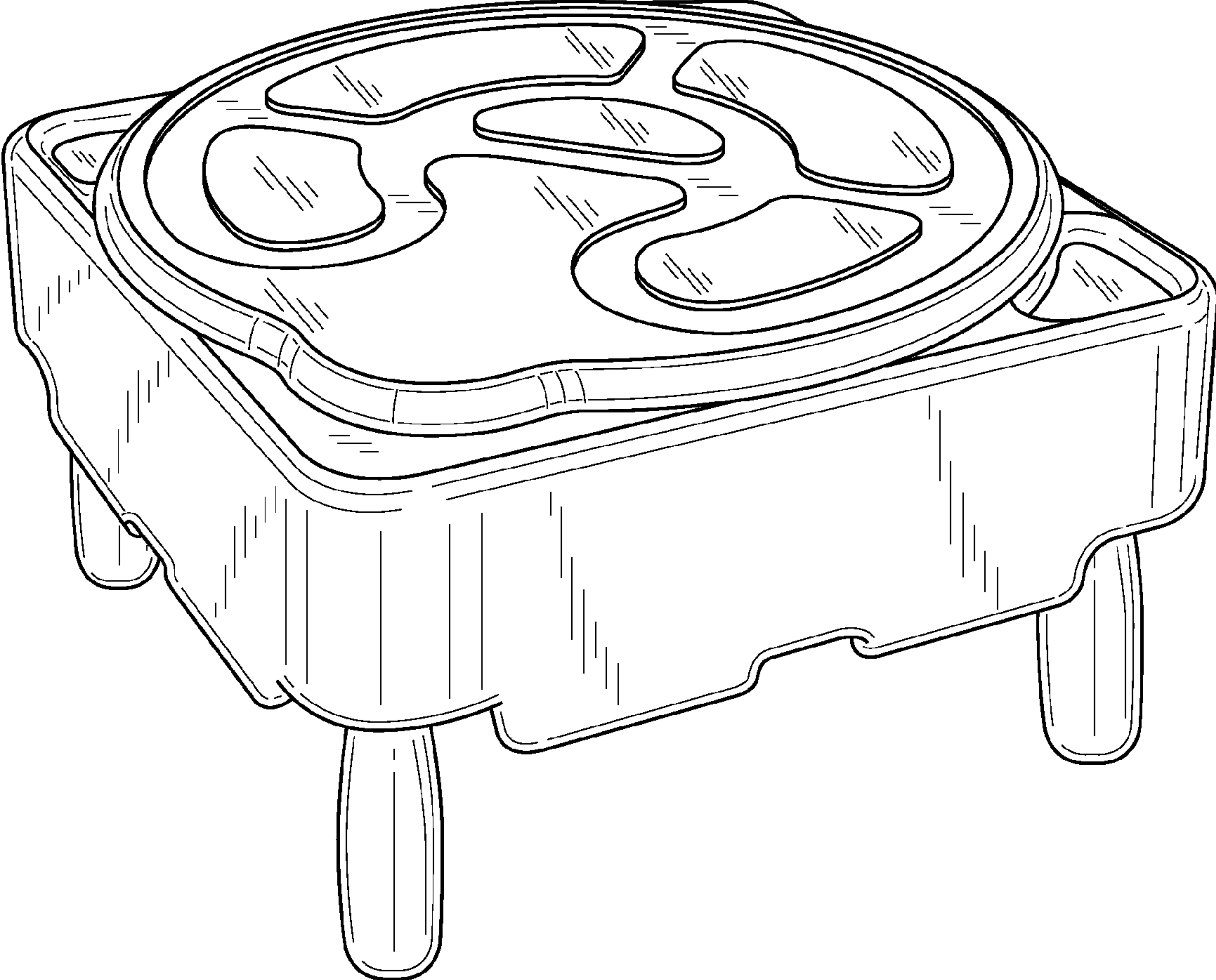


FIG.1

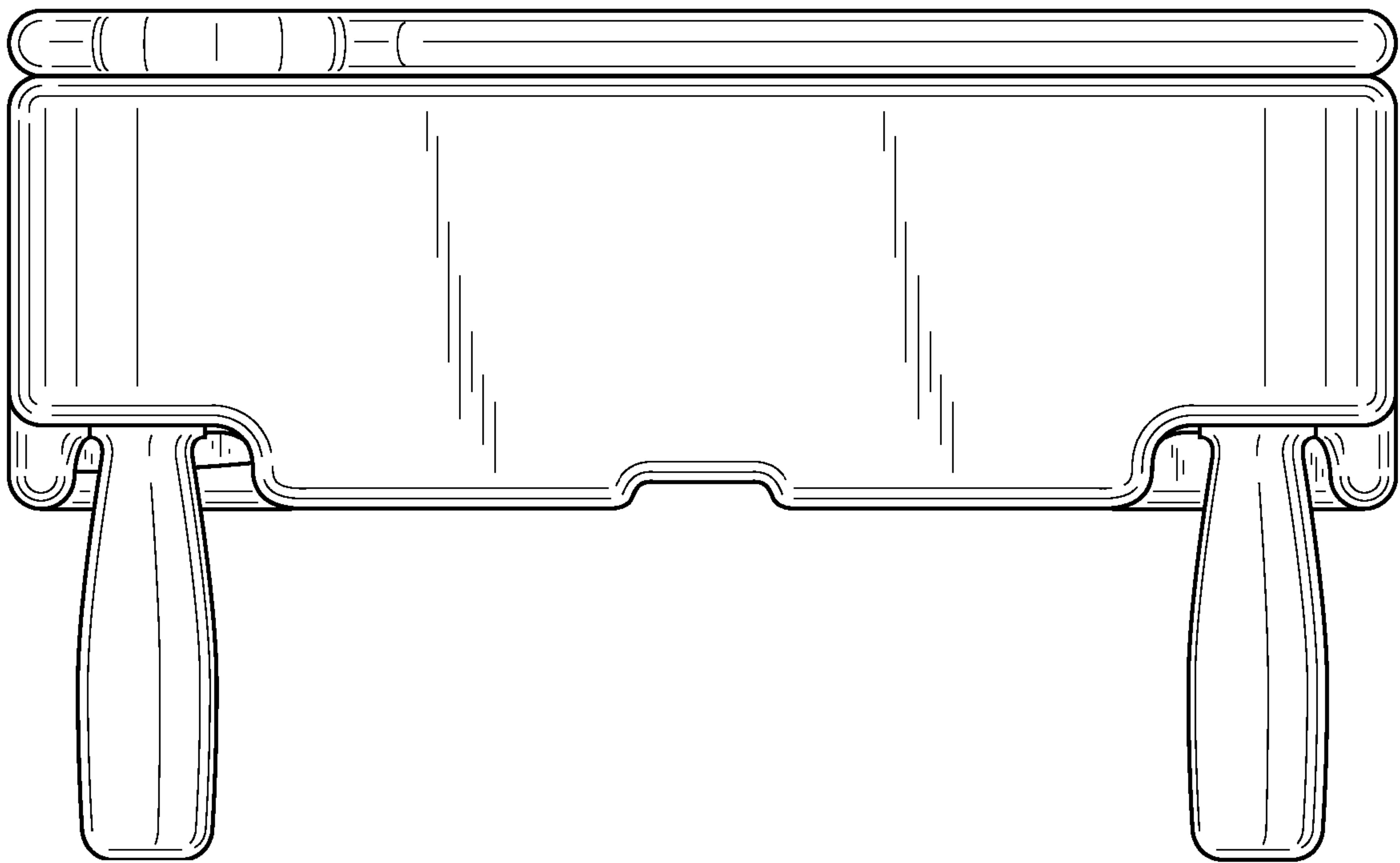


FIG.2

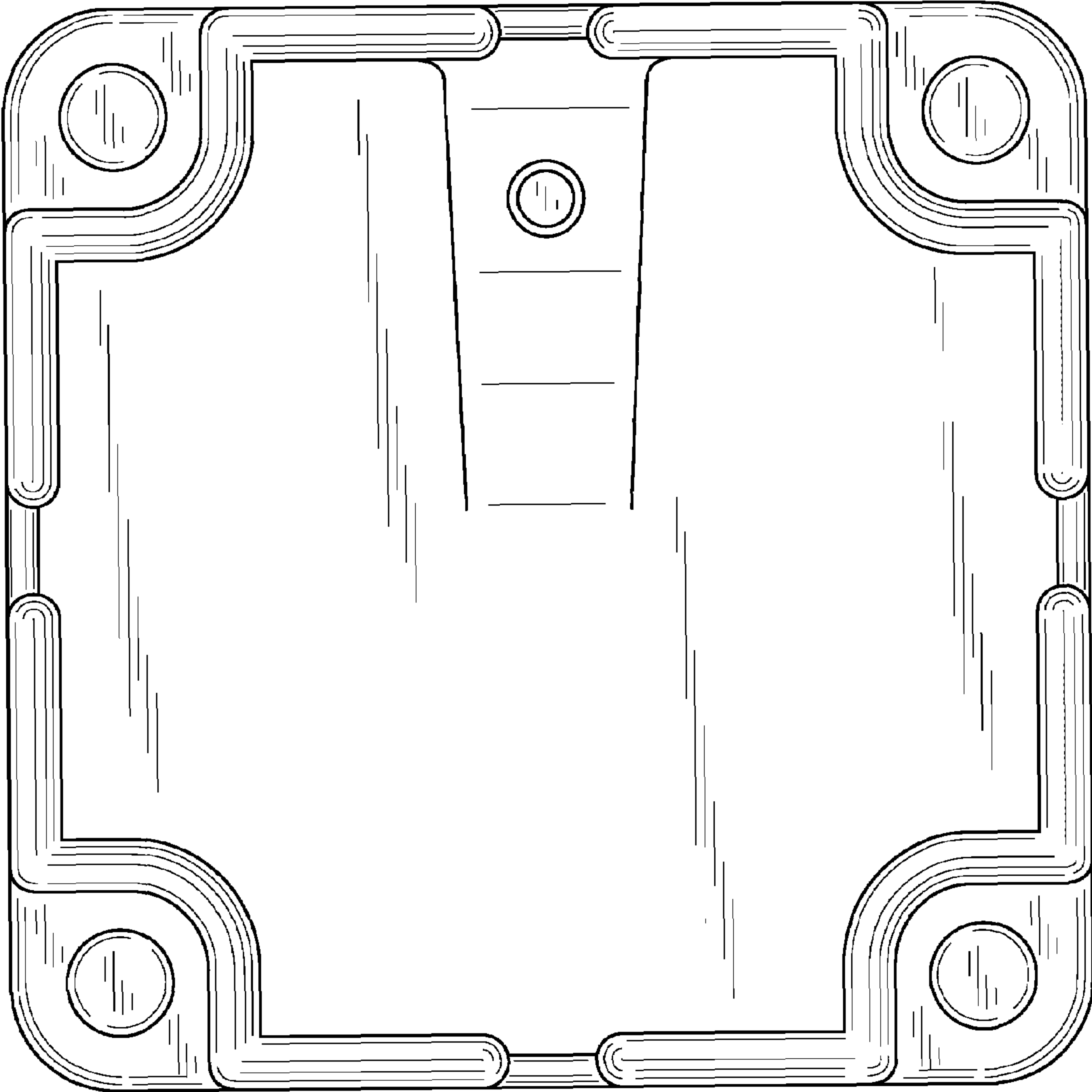


FIG.3

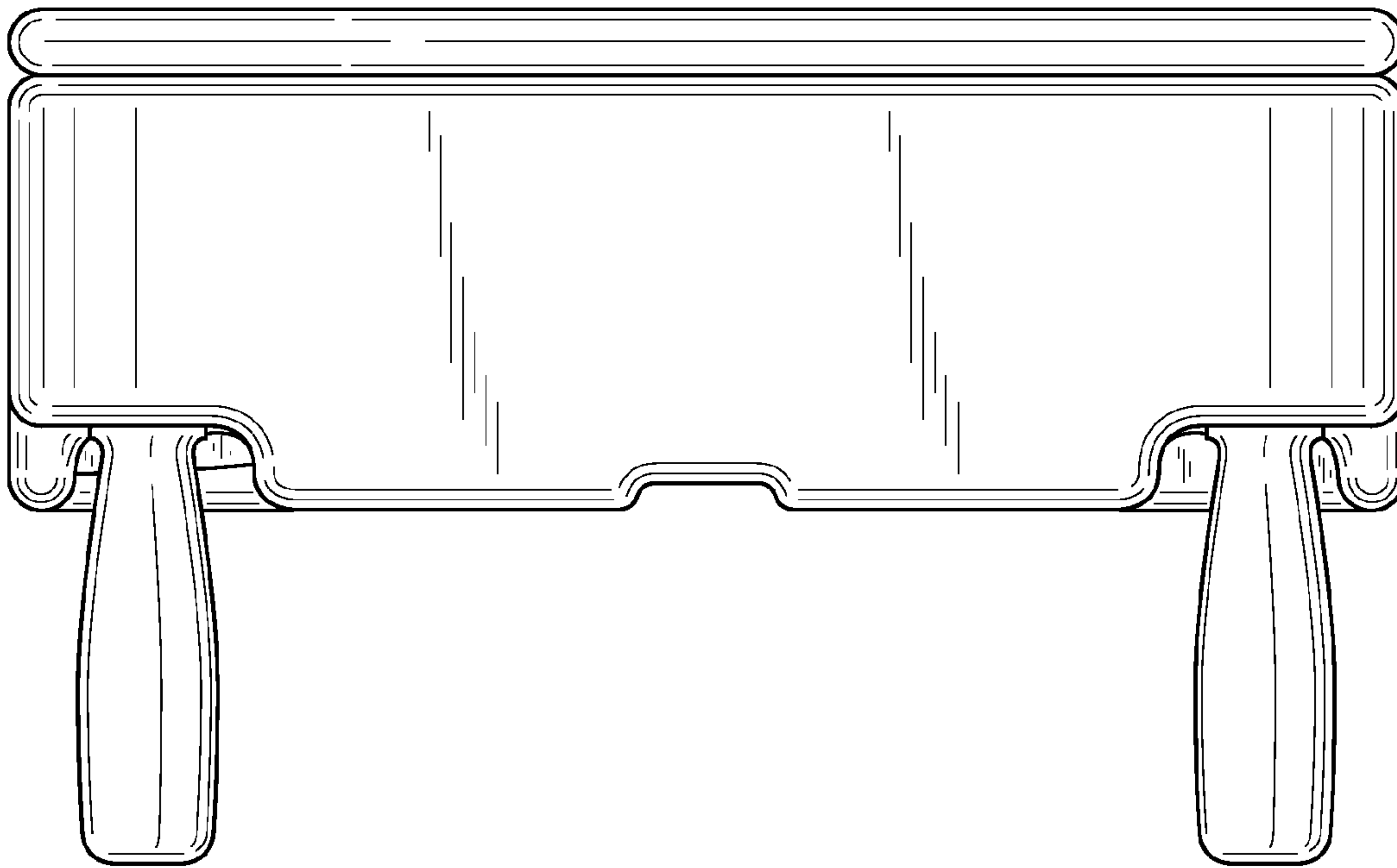


FIG. 4

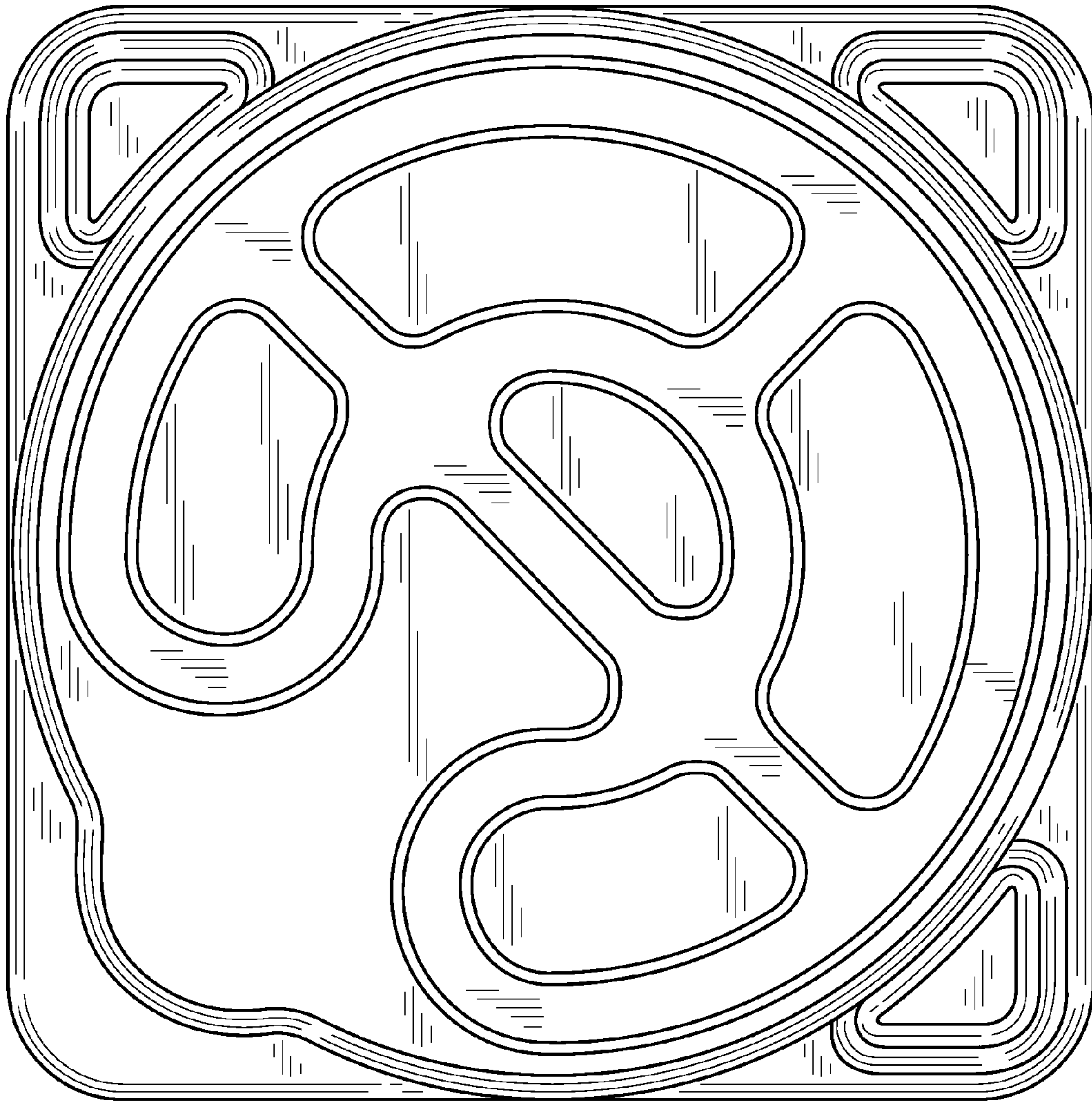


FIG.5



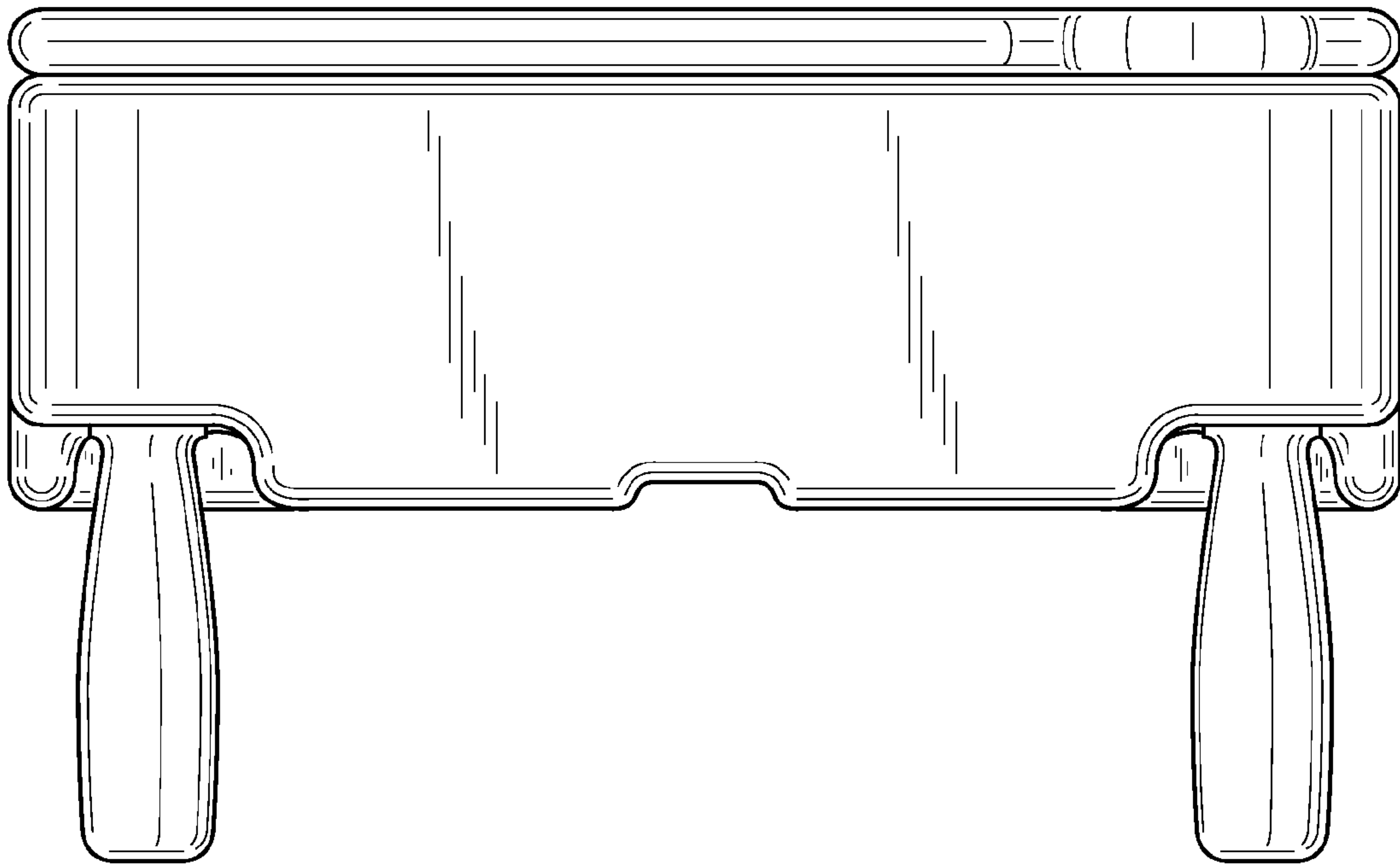


FIG. 6

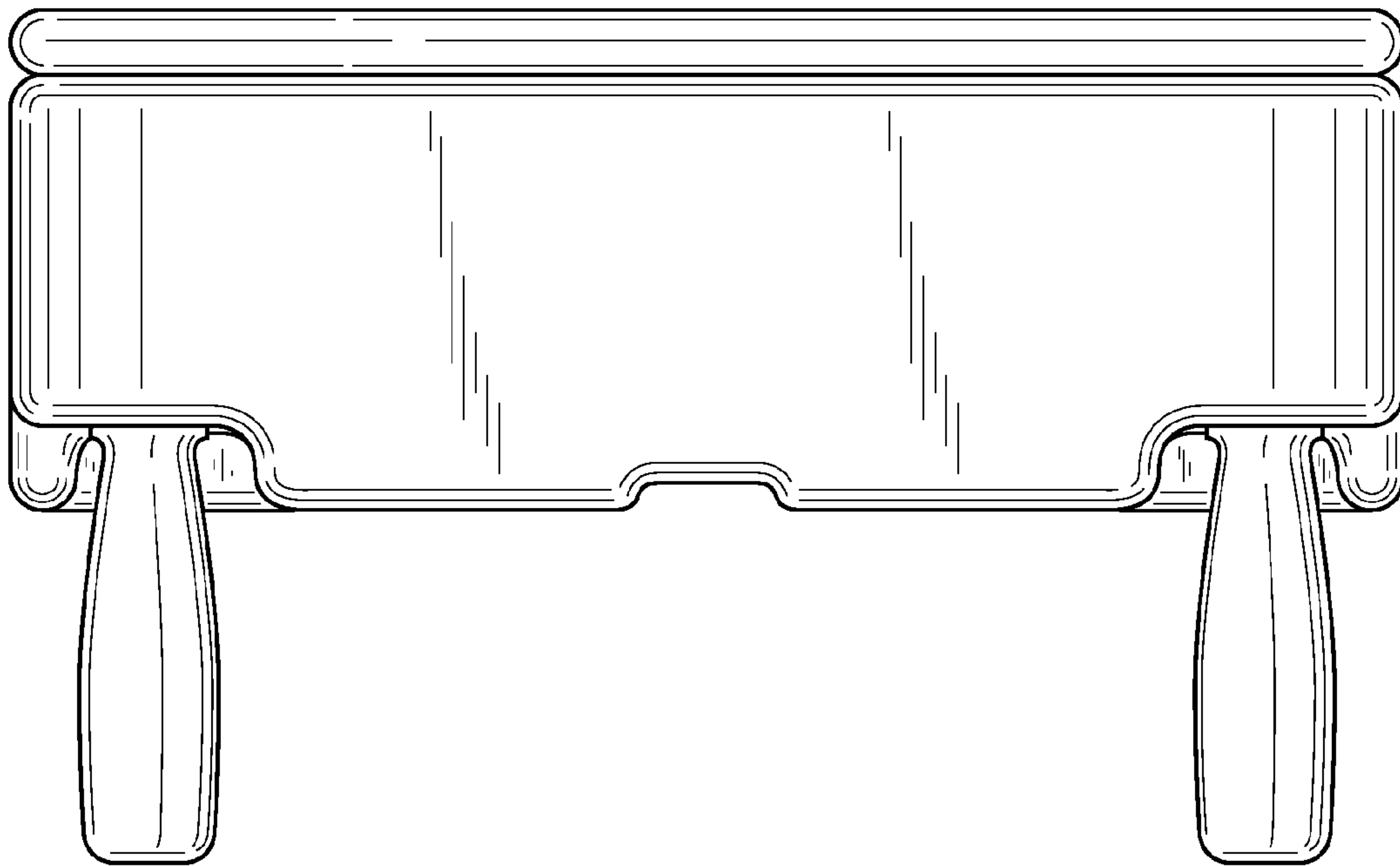


FIG. 7