



US00D592724S

(12) **United States Design Patent**  
**Klamer et al.**

(10) **Patent No.:** **US D592,724 S**

(45) **Date of Patent:** **\*\* May 19, 2009**

(54) **ROLLER SKATE**

(75) Inventors: **Reuben B. Klamer**, San Diego, CA  
(US); **Beatrice E. Pardo**, San Diego, CA  
(US); **Fernando Pardo**, Moorpark, CA  
(US)

(73) Assignee: **The Reuben B. Klamer Living Trust**

(\*\*) Term: **14 Years**

(21) Appl. No.: **29/322,546**

(22) Filed: **Aug. 6, 2008**

(51) **LOC (9) Cl.** ..... **21-02**

(52) **U.S. Cl.** ..... **D21/764**

(58) **Field of Classification Search** ..... D21/760,  
D21/763, 765, 771; 841/11.16, 11.19, 11.202,  
841/11.221, 11.223, 11.26, 11.3

See application file for complete search history.

(56) **References Cited**

**U.S. PATENT DOCUMENTS**

3,635,854	A *	1/1972	Martin	.....	280/11.26
3,963,252	A *	6/1976	Carlson	.....	280/11.223
3,993,318	A *	11/1976	Rothmayer	.....	280/11.26
4,304,417	A *	12/1981	Hsieh	.....	280/11.26
5,224,718	A *	7/1993	Gertler	.....	280/11.19
D347,237	S *	5/1994	Robjent et al.	.....	D21/763
D353,429	S *	12/1994	Gay et al.	.....	D21/764
D373,609	S *	9/1996	Santarsiero et al.	.....	D21/763
D396,516	S *	7/1998	Fung	.....	D21/763
D397,389	S *	8/1998	Fung	.....	D21/764

D405,122	S *	2/1999	Fung	.....	D21/763
6,145,853	A *	11/2000	Croshaw	.....	280/11.221
6,497,420	B2 *	12/2002	Ricci	.....	280/11.16
6,497,421	B1 *	12/2002	Edgerley et al.	.....	280/11.19
D493,858	S *	8/2004	Green et al.	.....	D21/763
D513,296	S *	12/2005	Lin	.....	D21/763
D515,164	S *	2/2006	Lin	.....	D21/764
7,040,633	B2 *	5/2006	Coburn et al.	.....	280/11.3

\* cited by examiner

*Primary Examiner*—Holly H Baynham

*Assistant Examiner*—Cynthia M Chin

(74) *Attorney, Agent, or Firm*—Orrick, Herrington & Sutcliffe LLP

(57) **CLAIM**

The ornamental design for a roller skate, as shown and described.

**DESCRIPTION**

FIG. 1 is a perspective view of a roller skate according to the present invention illustrating the top, rear and one side thereof.

FIG. 2 is a top plan view.

FIG. 3 is an elevational view of one side.

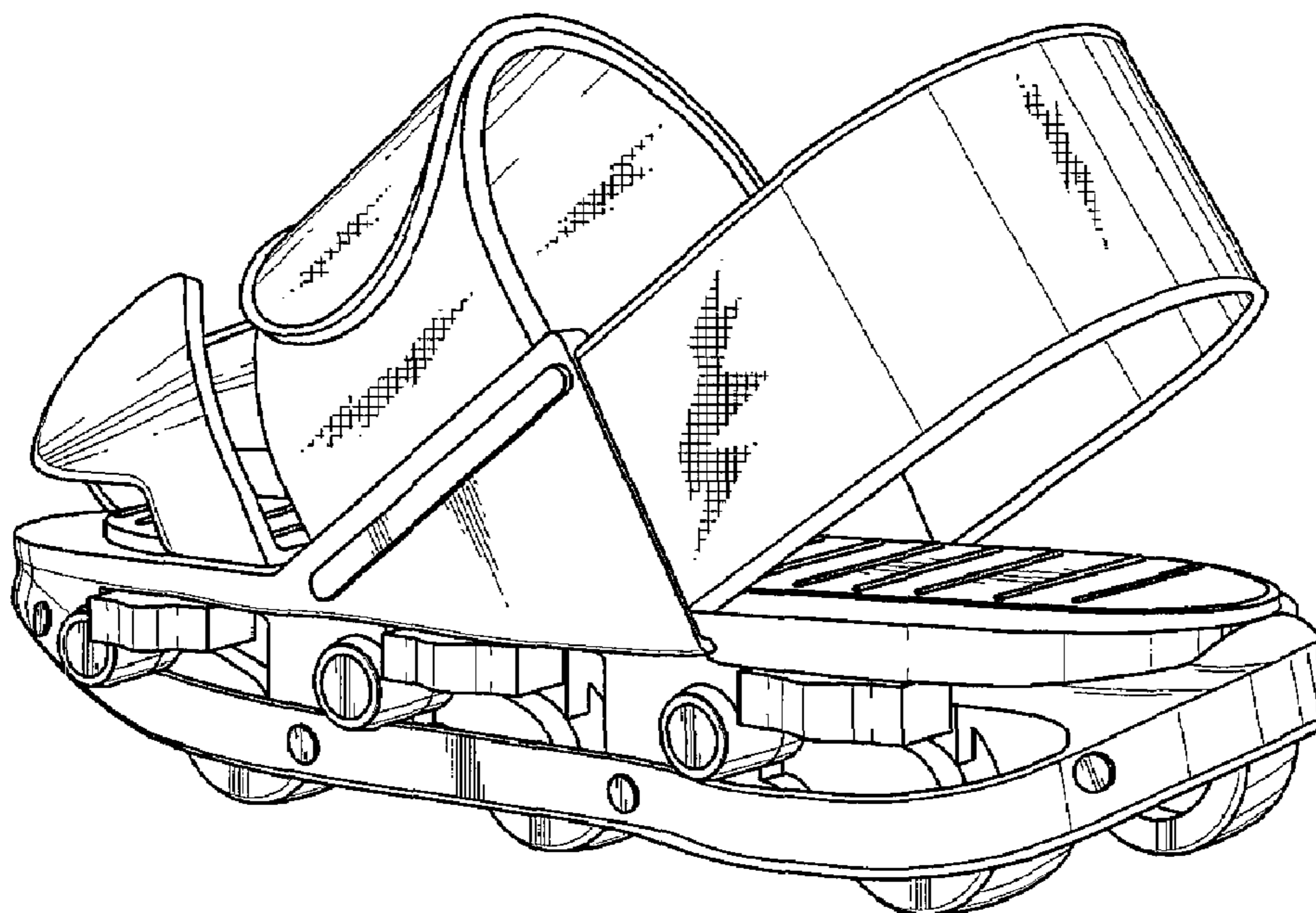
FIG. 4 is an elevational view of the side opposite the side shown in FIG. 3.

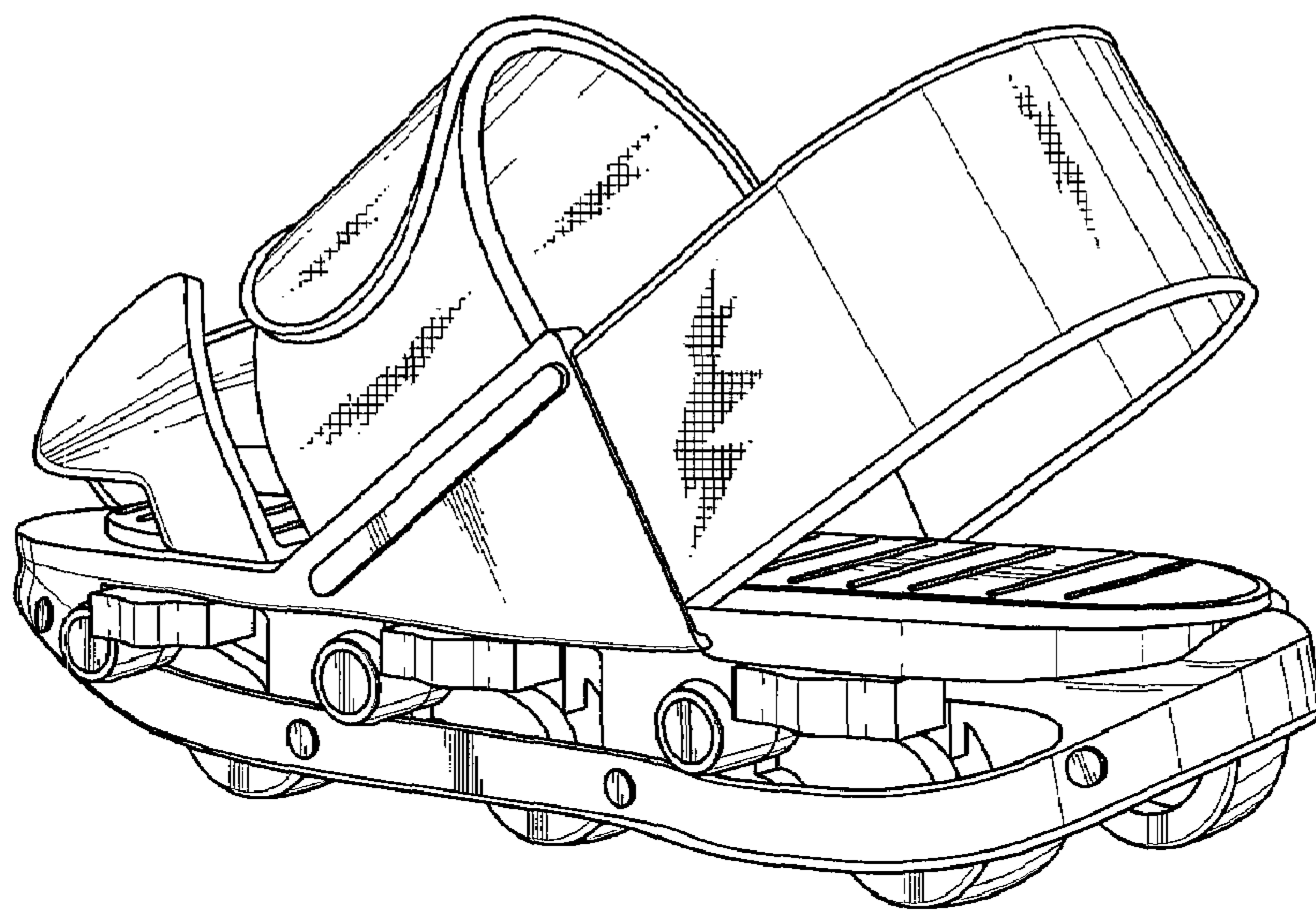
FIG. 5 is a bottom plan view.

FIG. 6 is a front view; and,

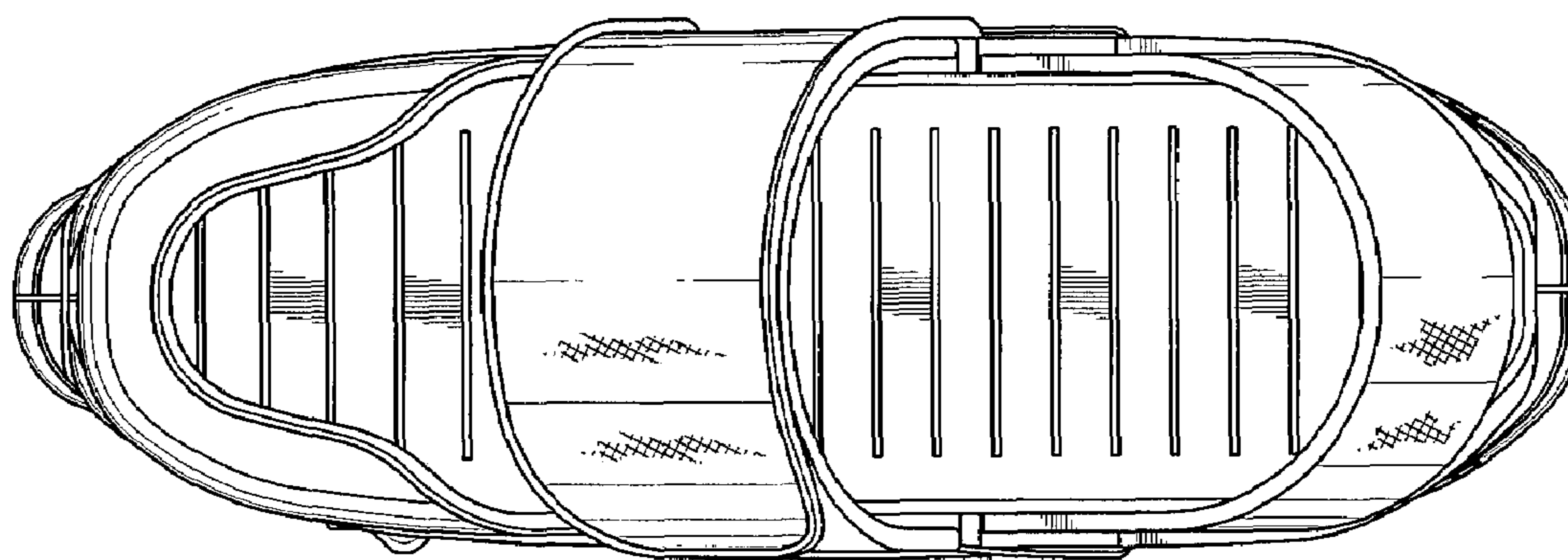
FIG. 7 is a rear view.

**1 Claim, 3 Drawing Sheets**

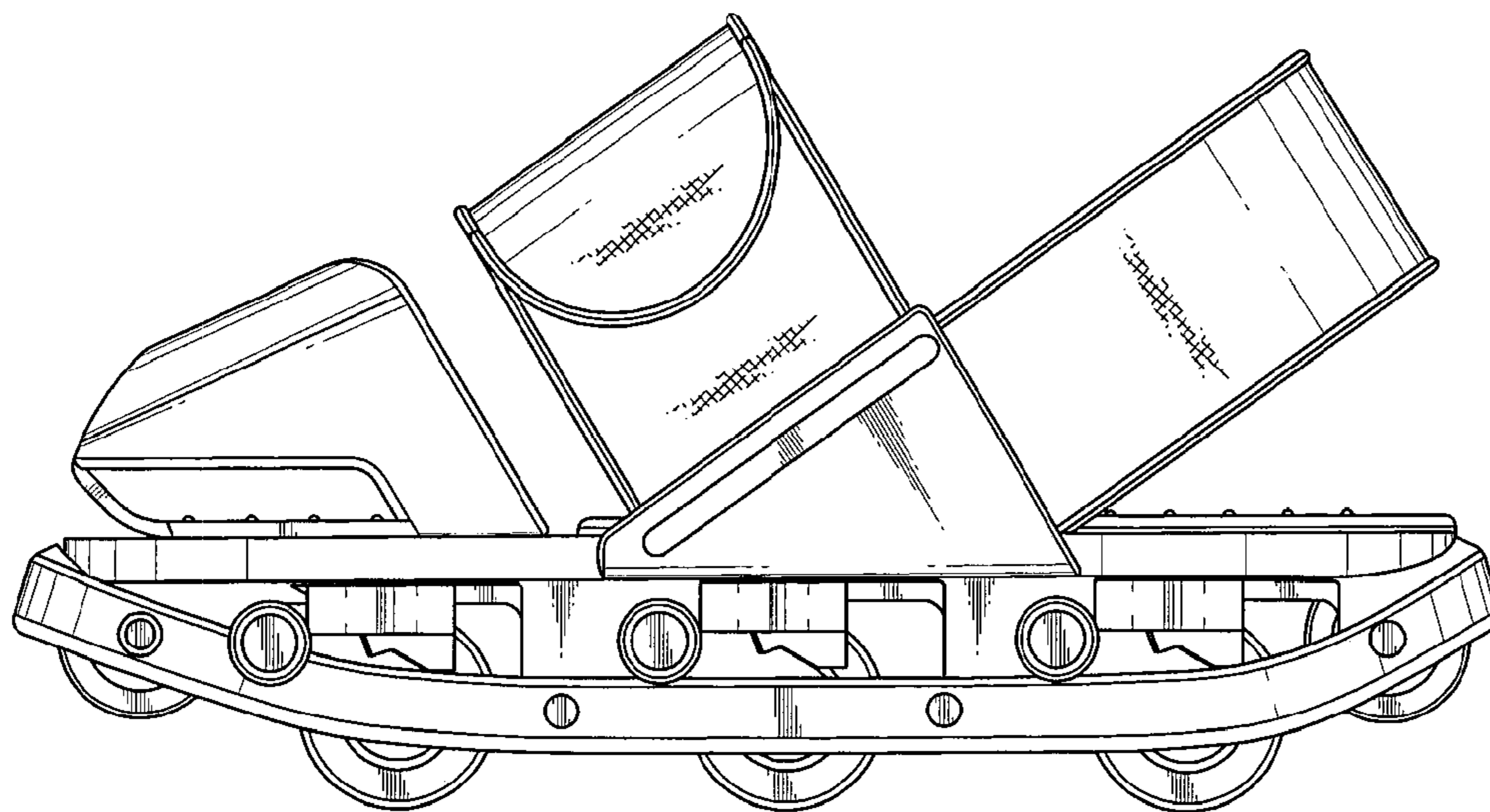




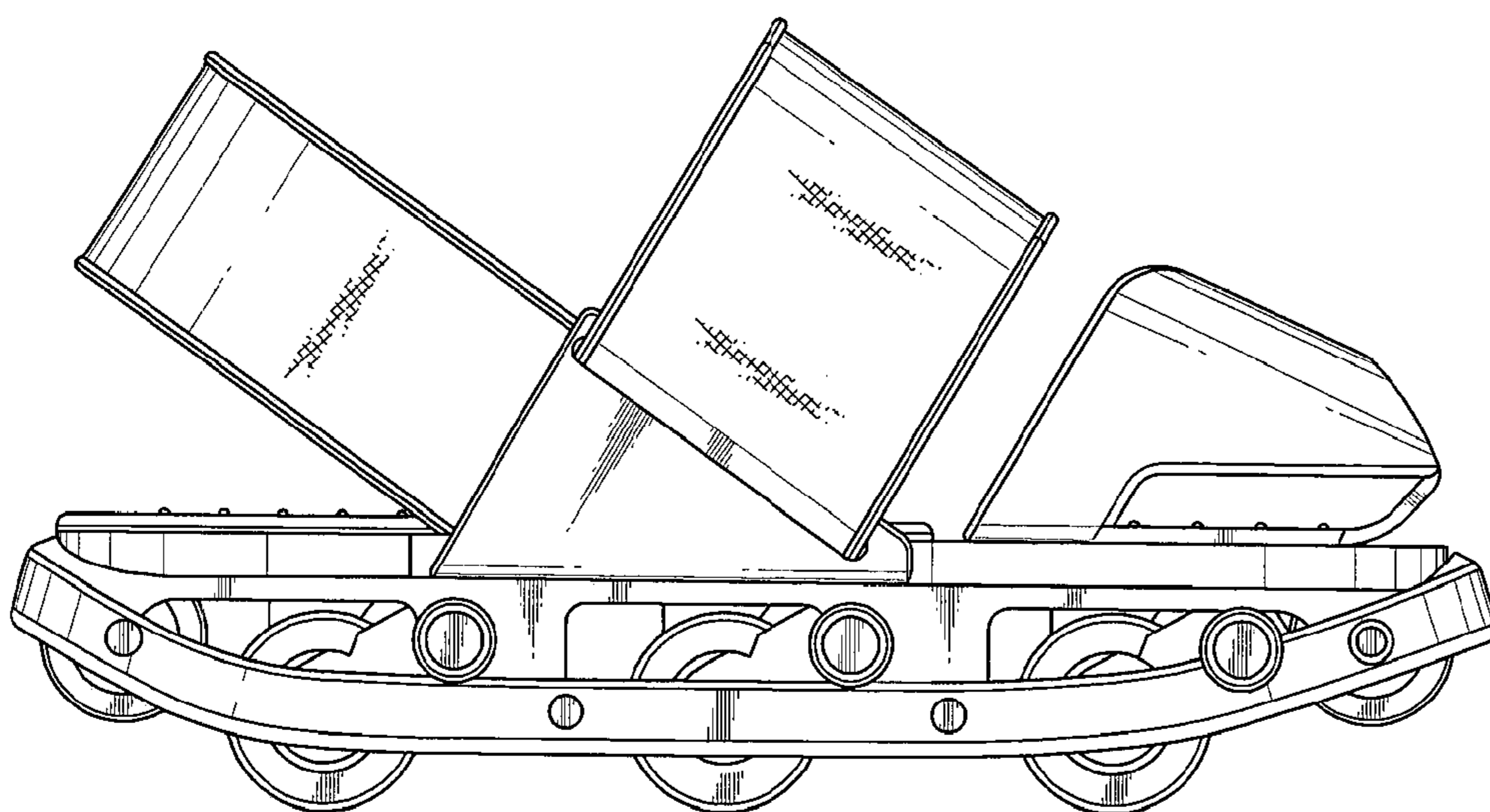
*FIG. 1*



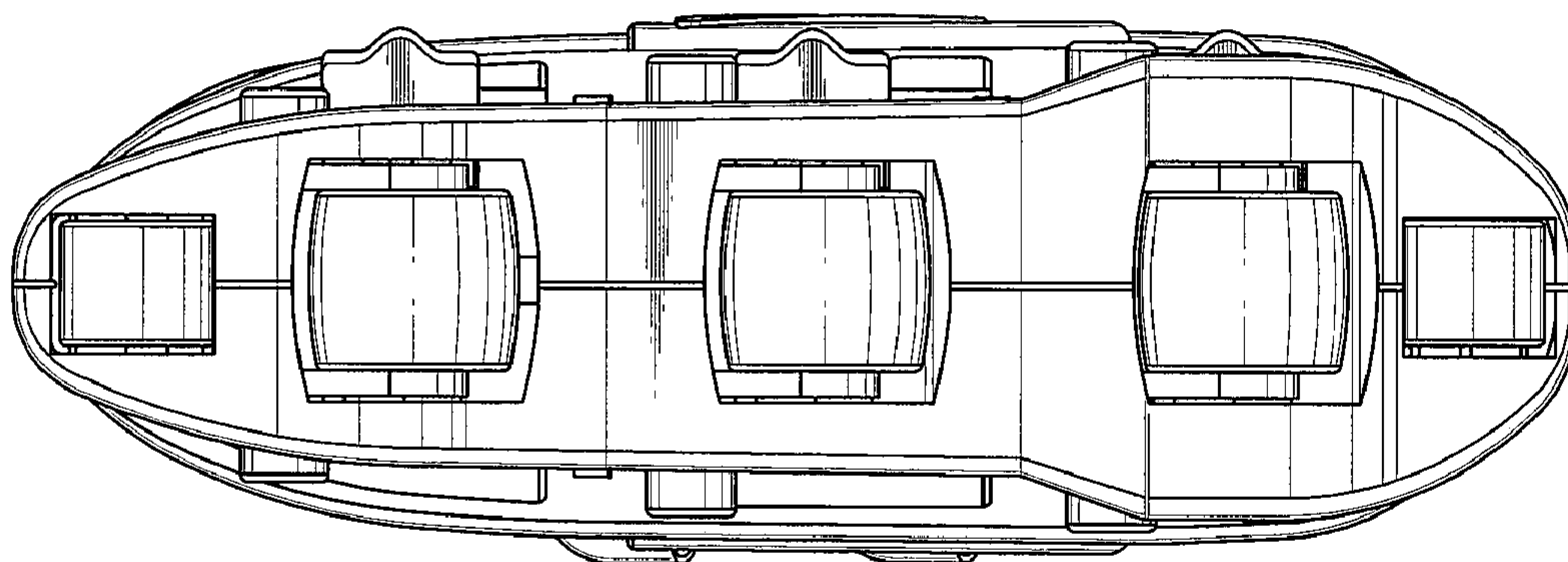
*FIG. 2*



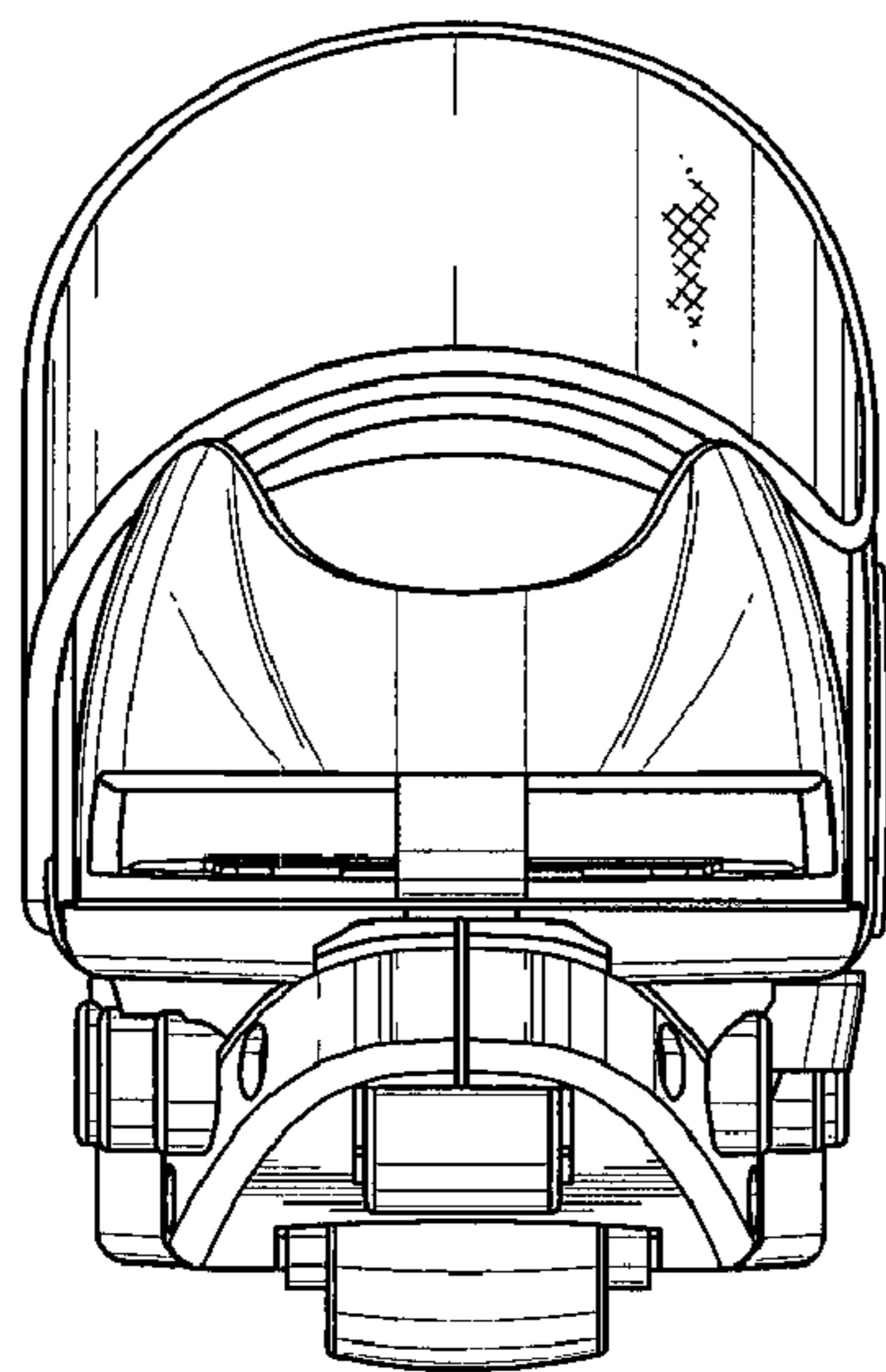
*FIG. 3*



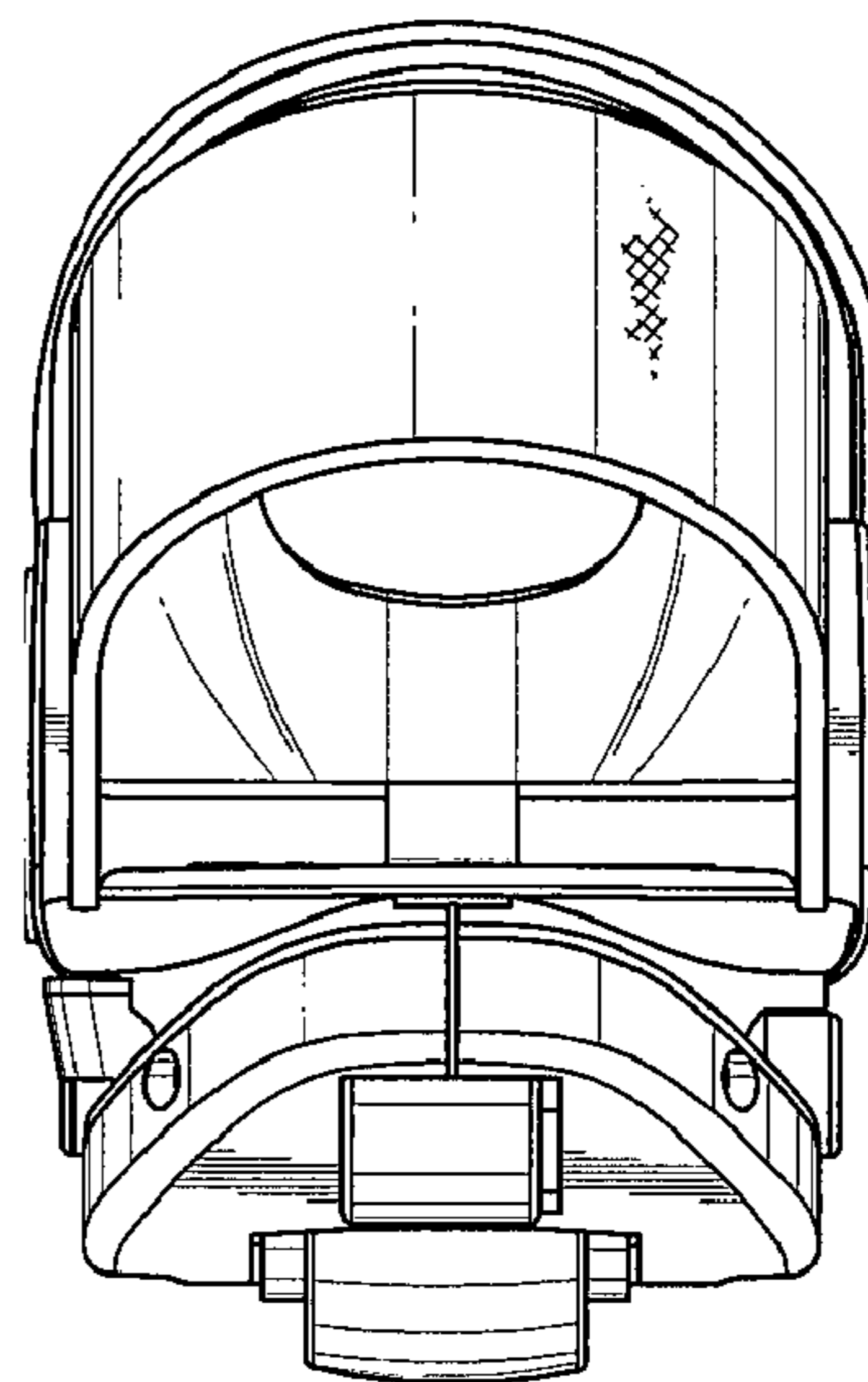
*FIG. 4*



*FIG. 5*



*FIG. 6*



*FIG. 7*