



US00D592723S

(12) **United States Design Patent**
Chau et al.

(10) **Patent No.:** **US D592,723 S**

(45) **Date of Patent:** **** May 19, 2009**

(54) **GOLF CLUB HEAD**

D415,807 S * 10/1999 Werner et al. D21/733
D425,158 S 5/2000 Long et al.
D549,293 S * 8/2007 Rice et al. D21/752

(75) Inventors: **Kevin C. Chau**, San Marcos, CA (US);
Douglas E. Roberts, Carlsbad, CA (US);
Peter L. Soracco, Carlsbad, CA (US)

* cited by examiner

(73) Assignee: **Acushnet Company**, Fairhaven, MA
(US)

Primary Examiner—Mitchell I Siegel
(74) *Attorney, Agent, or Firm*—Kristin D. Wheeler

(**) Term: **14 Years**

(57) **CLAIM**

(21) Appl. No.: **29/318,060**

The ornamental design for a golf club head, as shown and described.

(22) Filed: **May 13, 2008**

DESCRIPTION

(51) **LOC (9) Cl.** **21-02**

FIG. 1 is a back, heel side perspective view of a golf club head;

(52) **U.S. Cl.** **D21/759**

FIG. 2 is a top view thereof;

(58) **Field of Classification Search** D21/733,
D21/752, 759; 473/324–331, 343–346
See application file for complete search history.

FIG. 3 is a back, heel side perspective view of a second embodiment of a golf club head; and,

(56) **References Cited**

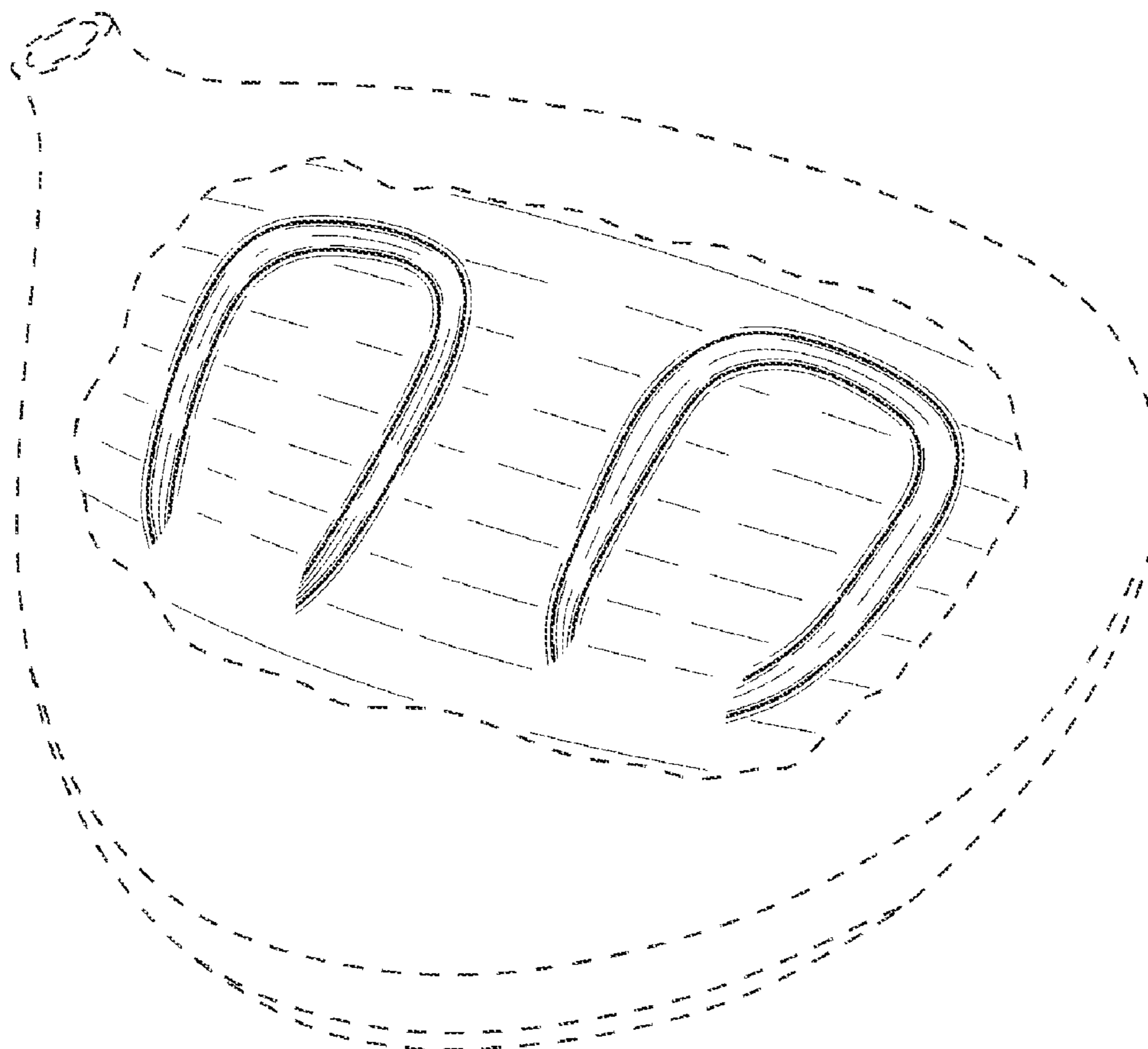
FIG. 4 is a top view thereof.

U.S. PATENT DOCUMENTS

The broken lines showing a golf club head in FIGS. 1–4 are for illustrative purposes only and form no part of the claimed design.

D363,748 S * 10/1995 Iinuma et al. D21/752
D363,961 S * 11/1995 Krzynowek et al. D21/752
D384,383 S * 9/1997 Takahashi et al. D21/752
D406,295 S 3/1999 Long

1 Claim, 2 Drawing Sheets



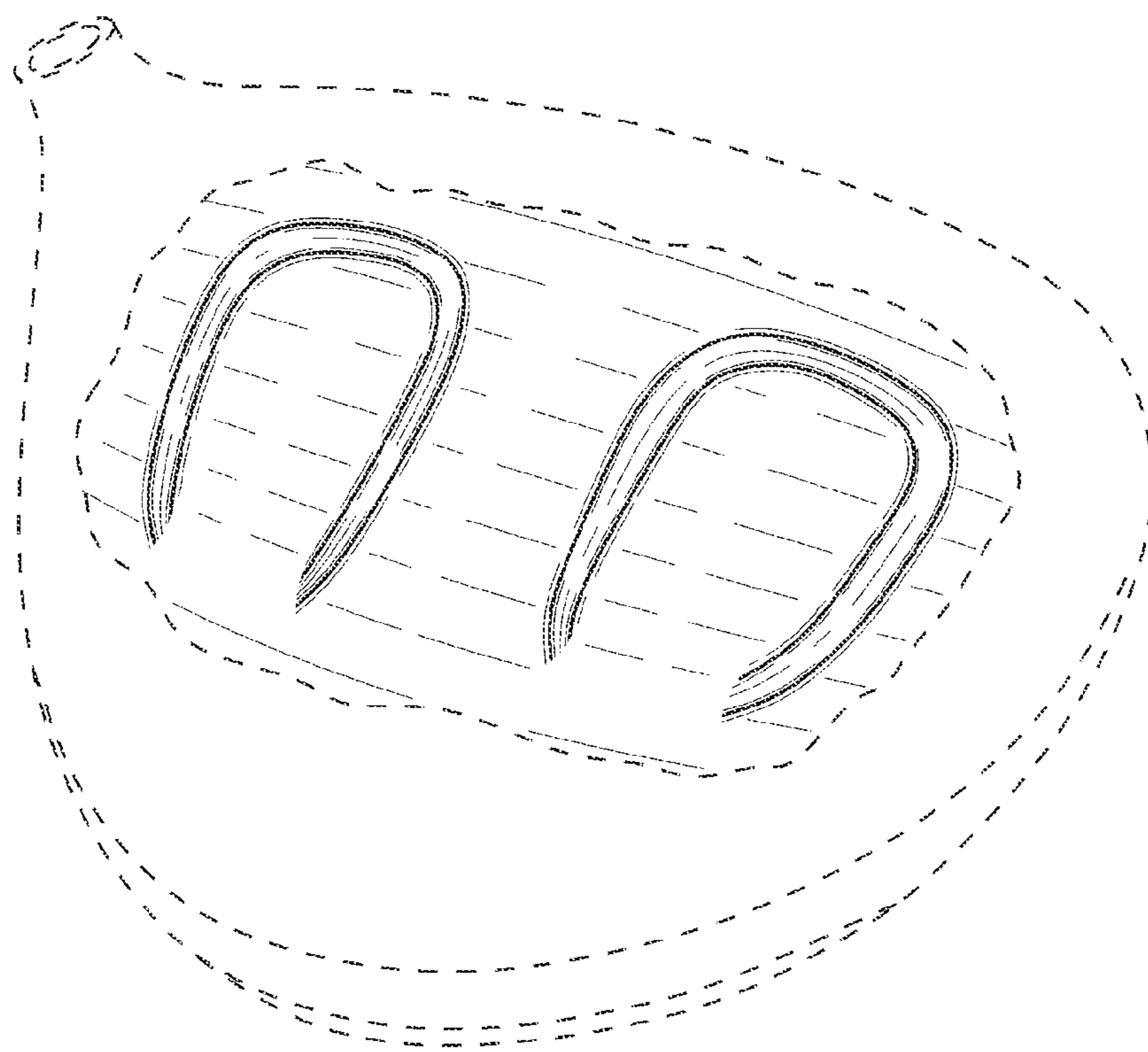


FIG. 1

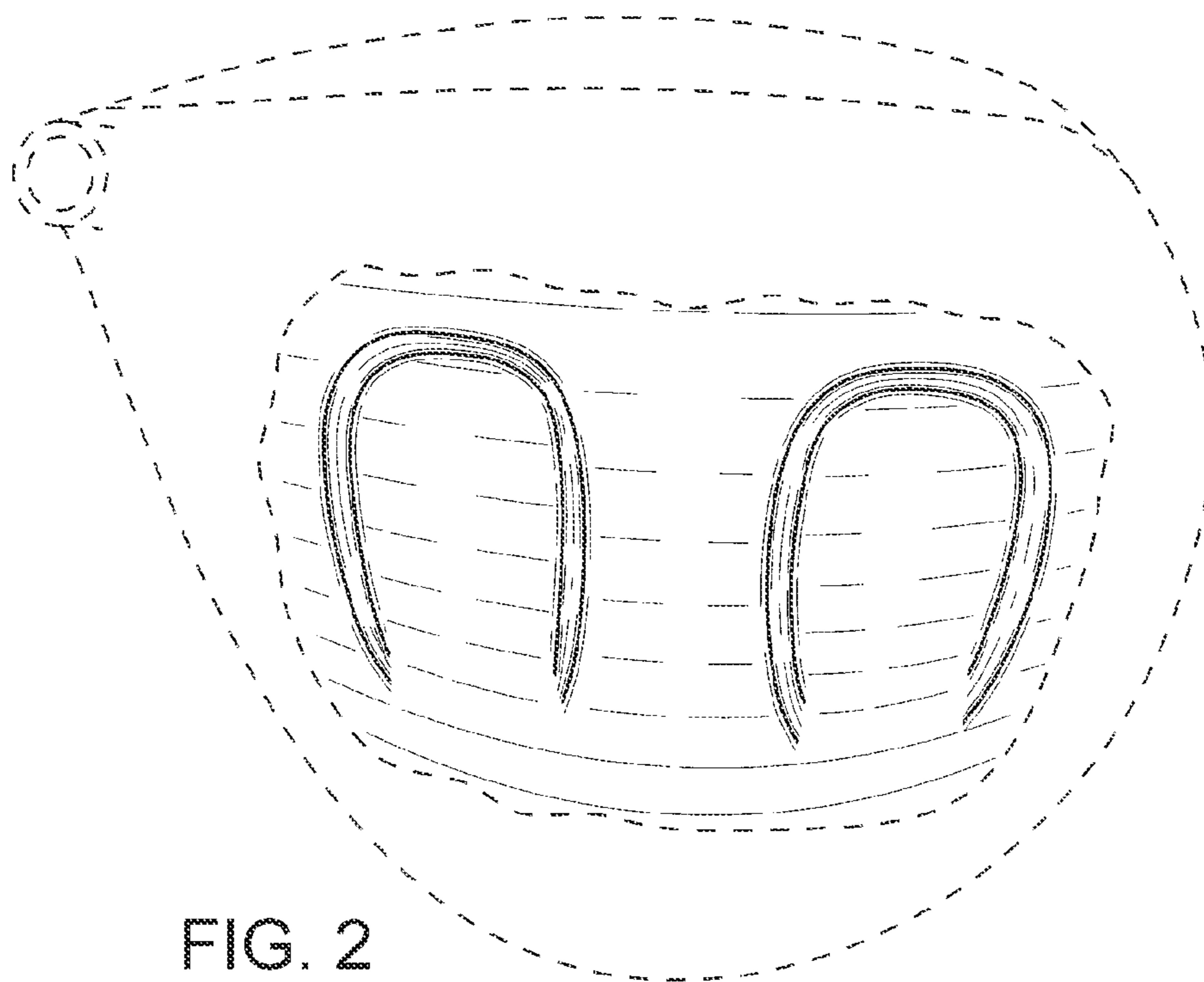


FIG. 2

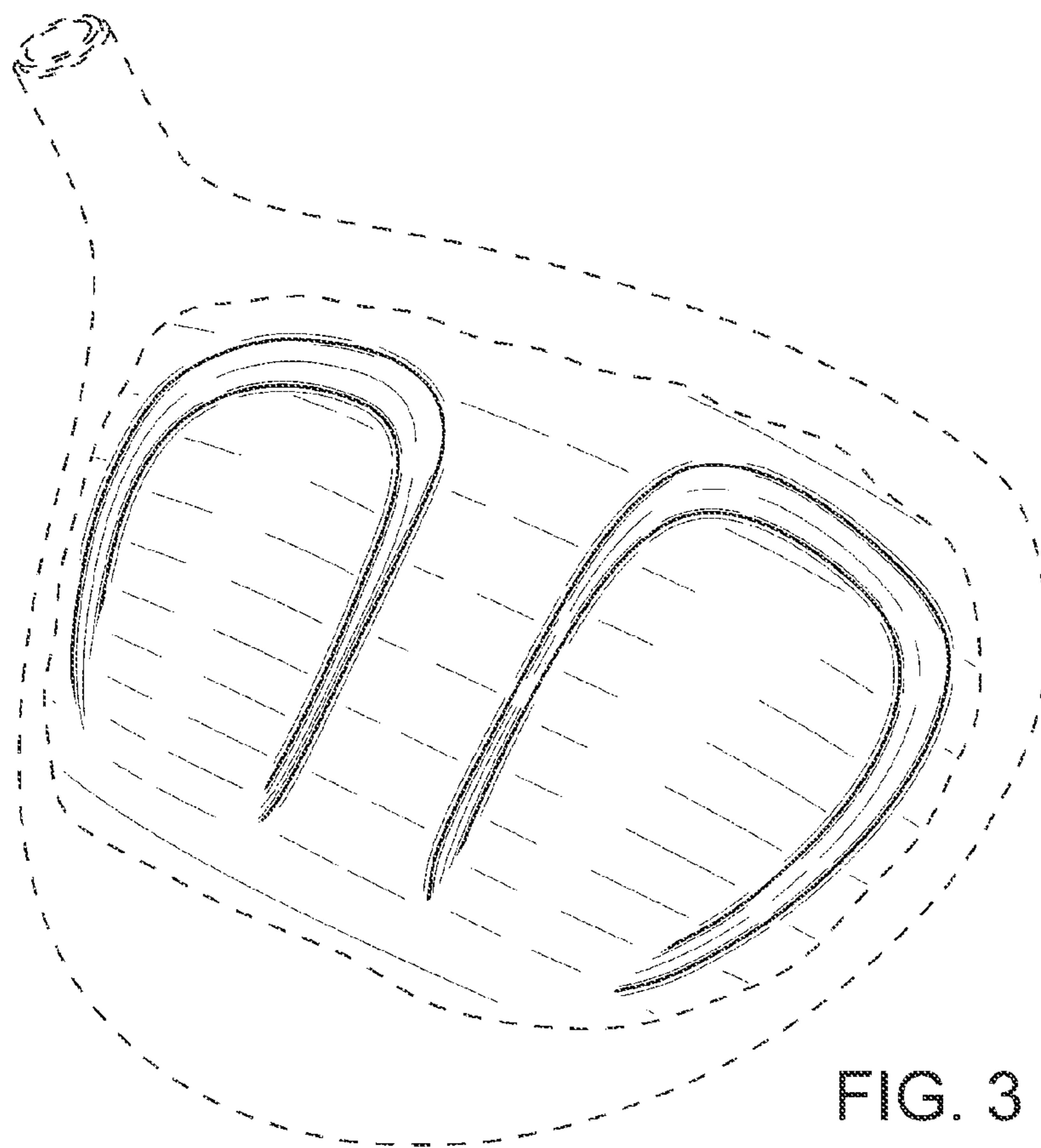


FIG. 3

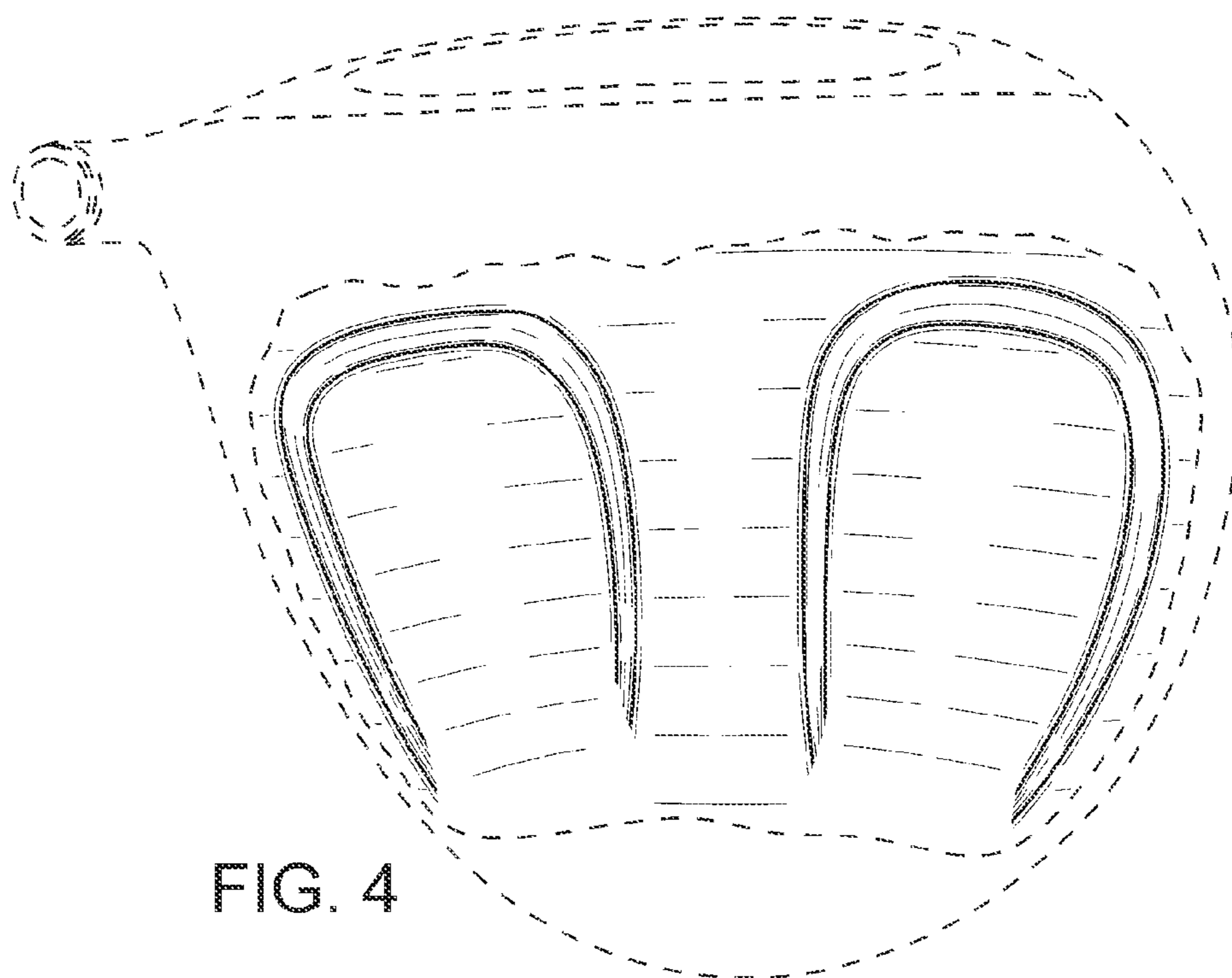


FIG. 4